



40~60 浮筒組裝說明書 INSTRUCTION FOR 40~.60 FLOATS

STEP 1.
加裝浮筒的飛行重心點，應相當於原飛機的重心點，以免影響飛行性能。
The C.G. point for assembling floats is the same C.G. point of the plane for not affecting the flying performance.

STEP 2.
浮筒與機身水平推力線之夾角的0至-2度。
The angle between floats and the centerline of the plane should be 0 degree to -2 degree.

STEP 3.
前腳架可直接穿入機首的固定座，後腳架以膠帶暫時固定，並描繪出三個固定孔之位置。
Inserting the front gear through the fuselage and fixing on the plastic mount by M3 x 6mm collar. Fixing the main gear on fuselage by tape temporary. Use pencil or marking pen to mark position for drilling 3 holes for M4 x 30 screws.

STEP 4.
後腳架木塊可依機體內輪架座之位置配合使用，並鑽孔再以 M4X30 螺絲固定。
Place the fixing block on the main gear and use pencil to the position for drilling 3 holes for M4 x 30 screws. Drilling holes on the marking positions on block and fuselage and secures the main gear through the block on the bottom of fuselage by M4 x 30 screws.
(If your airplane have assembled main gear mount and have position for screwing the screws, you don't need to screw the fixing block on your airplane.)

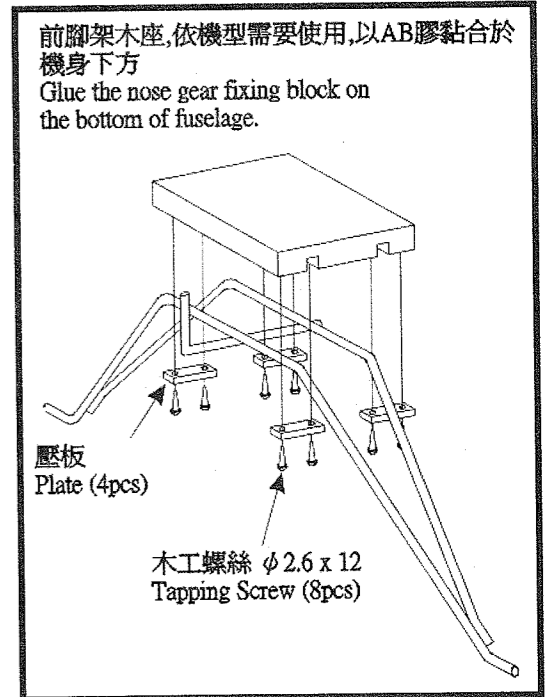
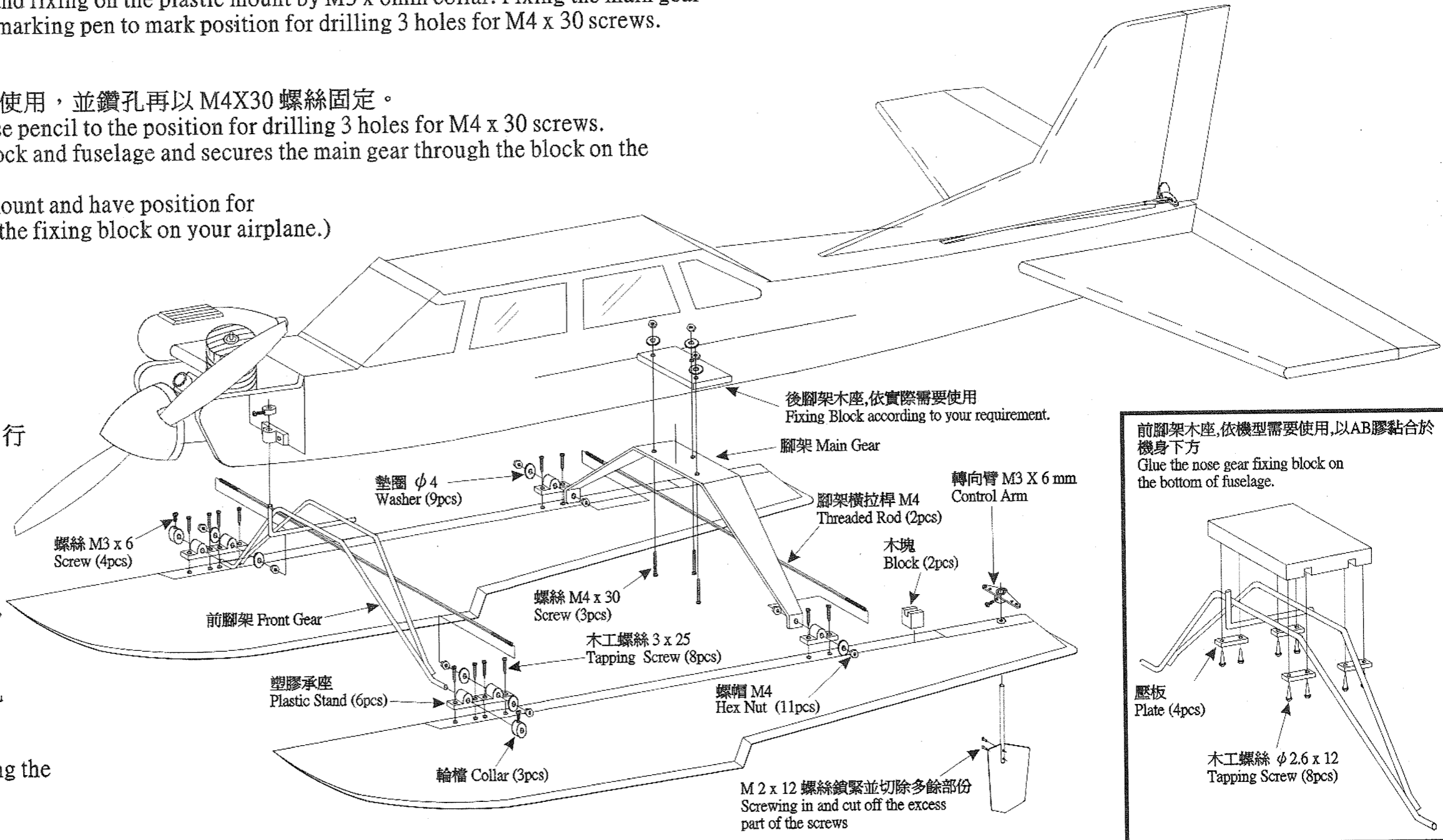
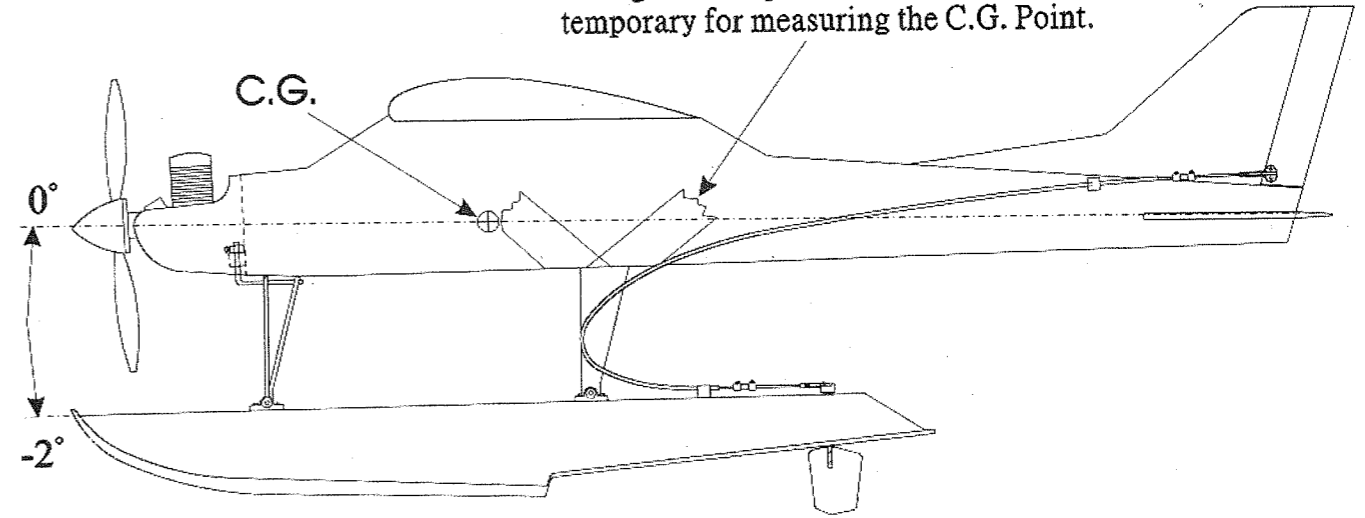
STEP 5.
刮粗浮筒表面，再以AB膠將木塊固定。
Roughing the surface of the floats and glue block on it.

STEP 6.
套件附上之木塊，在完成組裝之後，可自行塗上防水油漆，顏色隨機體顏色塗裝。
The blocks included in the kit can be painted any color of waterproof paint to match the scheme of the plane.

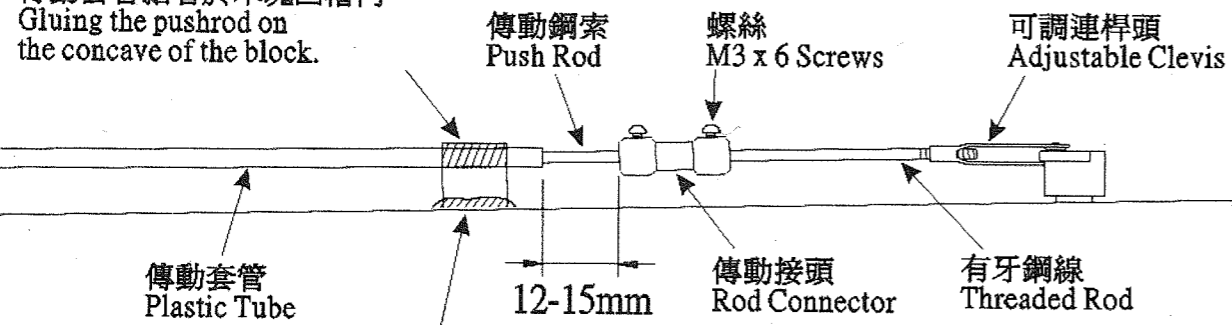
NOTE:

- 建議使用硬化時間 5~30 分鐘之AB膠。
It is better to use 5~30 minute epoxy.
- 木工螺絲栓入之前，請先使用鑽頭引孔
φ 3.0 mm 螺絲先鑽孔 φ 2.6 mm。
φ 2.6 mm 螺絲先鑽孔 φ 2.2 mm。
Please drill adequate holes before screwing the tapping screws such as:
drill hole φ 2.6 mm for φ 3.0 mm screw.
drill hole φ 2.2 mm for φ 2.6 mm screw.

* 膠帶暫時固定以便量取重心點。
Fixing the rear gear on fuselage by tape temporary for measuring the C.G. Point.

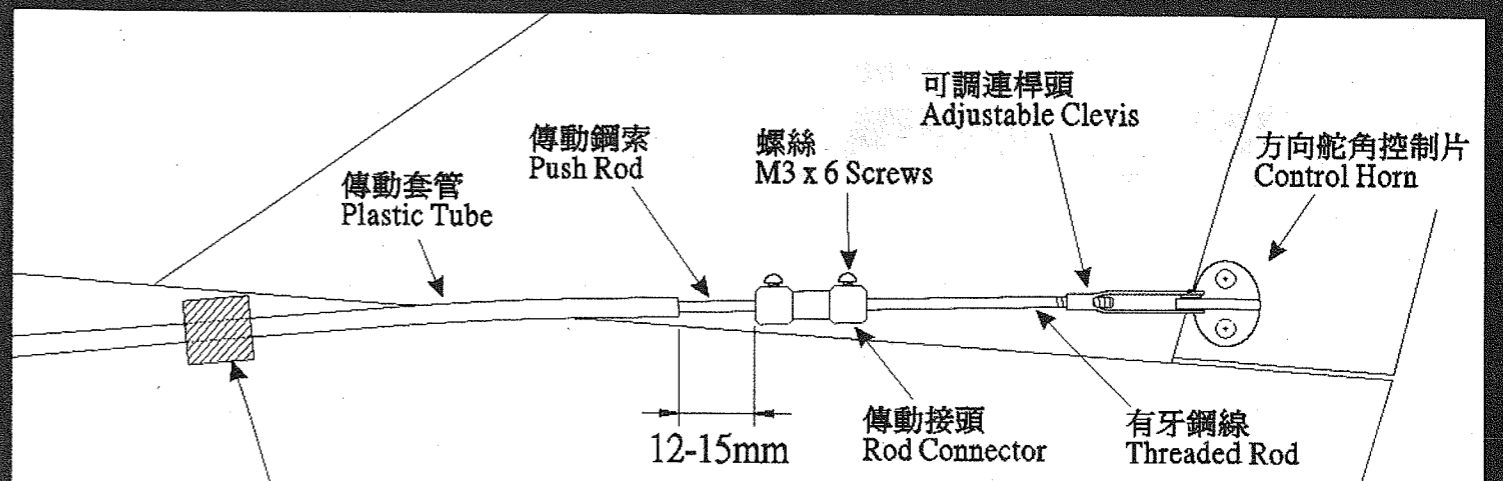


傳動套管黏著於木塊凹槽內。
Gluing the pushrod on the concave of the block.



刮粗浮筒表面，再以AB膠將木塊固定。
Roughing the surface of the floats and glue block on it.

浮筒水舵裝配圖
ASSEMBLING THE WATER RUDDER



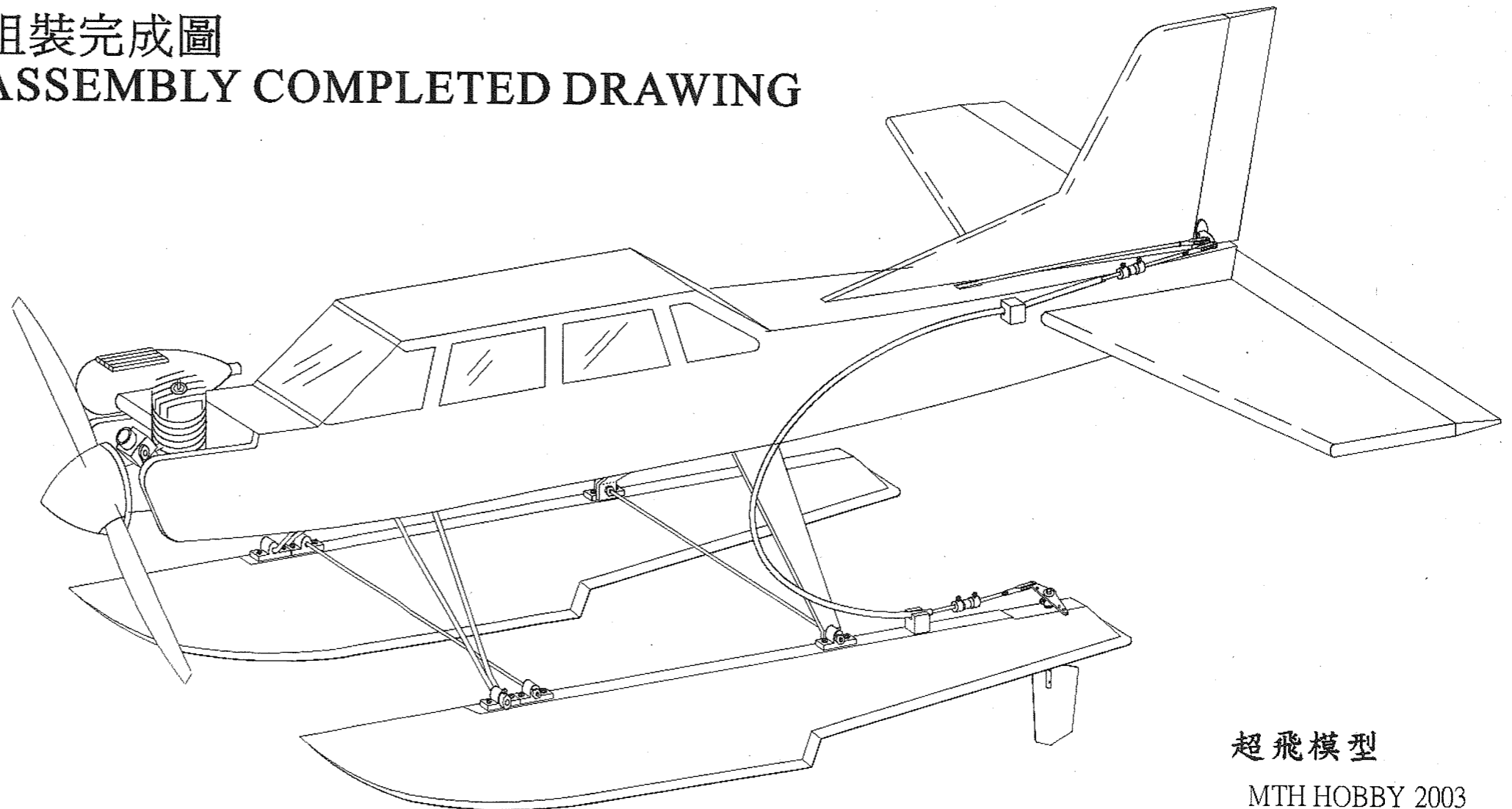
切除陰影處覆蓋紙，將木塊與傳動套管以AB膠黏合於機身。
Cut off the covering of the marking area and glue block with tube on fuselage.

機尾方向舵連動裝配圖
CONNECTING AIR RUDDER TO THE TILLER ARM ON THE WATER RUDDER

盒內零件內容 All the parts included in this kit

1. 浮筒 (左)	Left Float x 1 piece
2. 浮筒 (右)	Right Float x 1 piece
3. 傳動接頭	Rod Connector x 2 pieces
4. 有牙鋼線	Threaded Rod x 2 pieces
5. 轉向臂	Control Arm x 1 piece
6. 塑膠承座	Plastic Stand x 6 pieces
7. 輪檔	Collar x 3 pieces
8. 墊圈	φ 4 Washer x 9 pieces
9. 六角螺帽	M4 Hex Nut x 11 pieces
10. 塑膠零件組	Plastic Parts x 1 sets
11. 十字螺絲	M2 x 12 Screw x 2 pieces
12. 十字螺絲	M3 x 6 Screw x 4 pieces
13. 十字螺絲	M4 x 30 Screw x 3 pieces
14. 木工螺絲	φ 3 x 25 Tapping Screw x 12 pieces
15. 木工螺絲	φ 2.6 x 12 Tapping Screw x 8 pieces
16. 水舵	Water Rudder x 1 piece
17. 舵軸	Tiller Arm x 1 piece
18. 腳架木座(有槽無槽各一)	Fixing Block x 2 pieces
19. 傳動套管固定木塊	Blocks for Push Rod x 2 pieces
20. 腳架橫拉桿	M4 Threaded Rod x 2 pieces
21. 傳動套管	Plastic Tube x 1 piece
22. 傳動鋼索	Wire x 1 piece
23. 腳架	Front Gear x 1 piece; Main Gear x 1 piece
24. 說明書	Instruction Manual x 1 piece

組裝完成圖
ASSEMBLY COMPLETED DRAWING



超飛模型

MTH HOBBY 2003