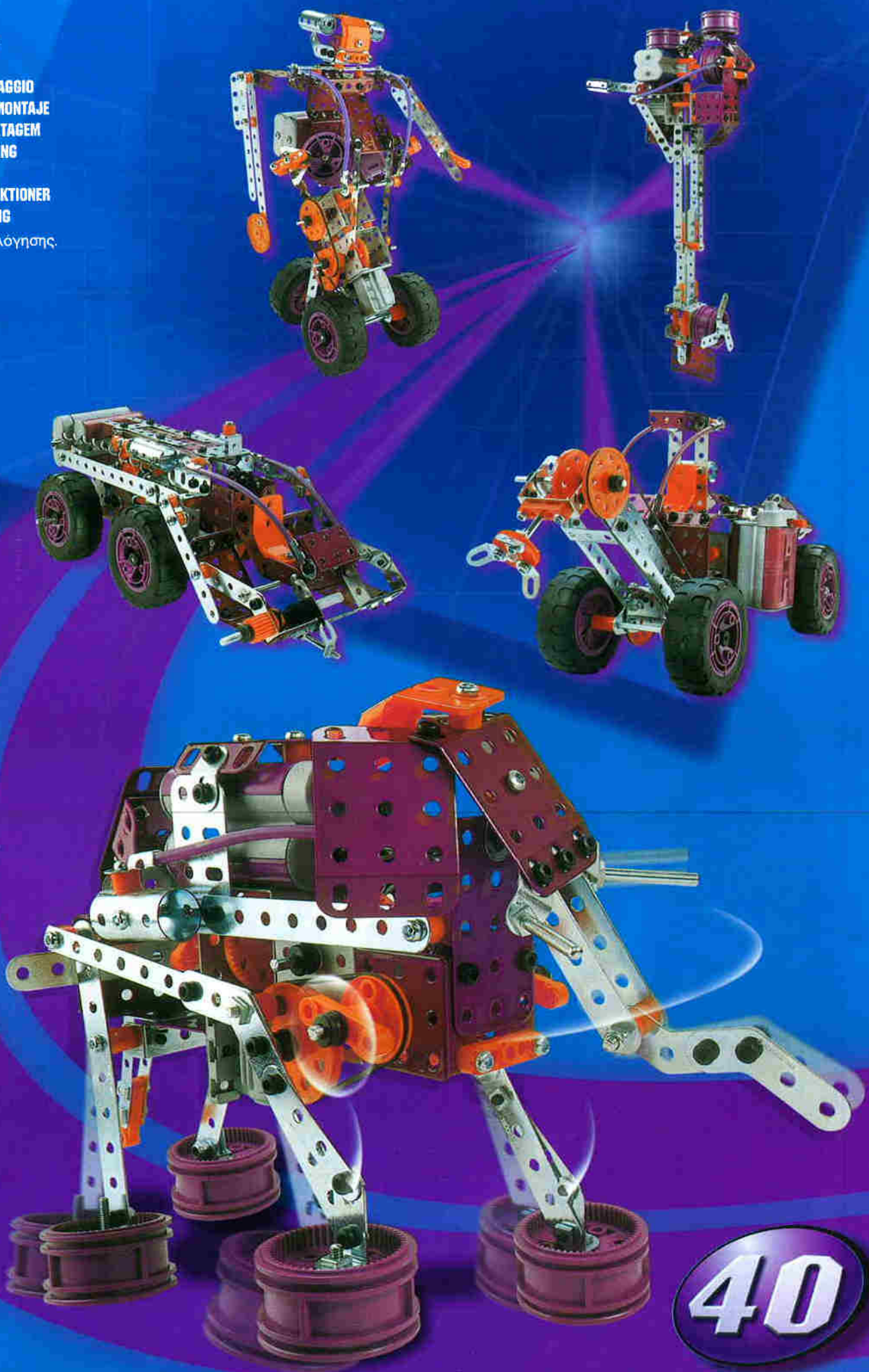


INSTRUCTIONS
 NOTICE DE MONTAGE
 BAUANLEITUNG
 ISTRUZIONI DI MONTAGGIO
 INSTRUCCIONES DE MONTAJE
 INSTRUÇÕES DE MONTAGEM
 MONTERINGSANVISNING
 KOKOAMISOHJE
 MONTERINGS INSTRUKTIONER
 MONTAGEHANDLEIDING

Οδηγίες συναρμολόγησης
 組立説明書

OPTIONAL SYSTEM

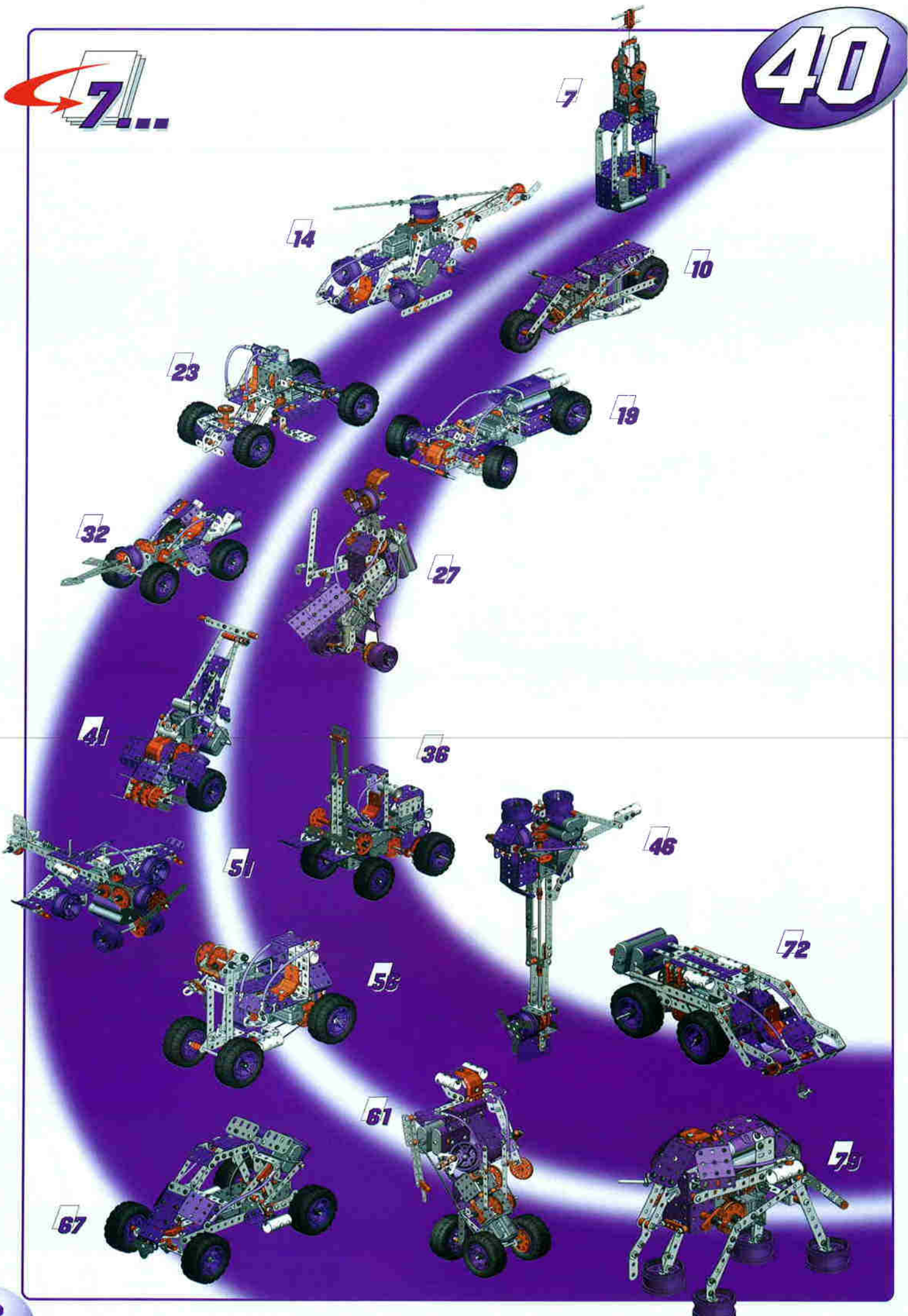
8540



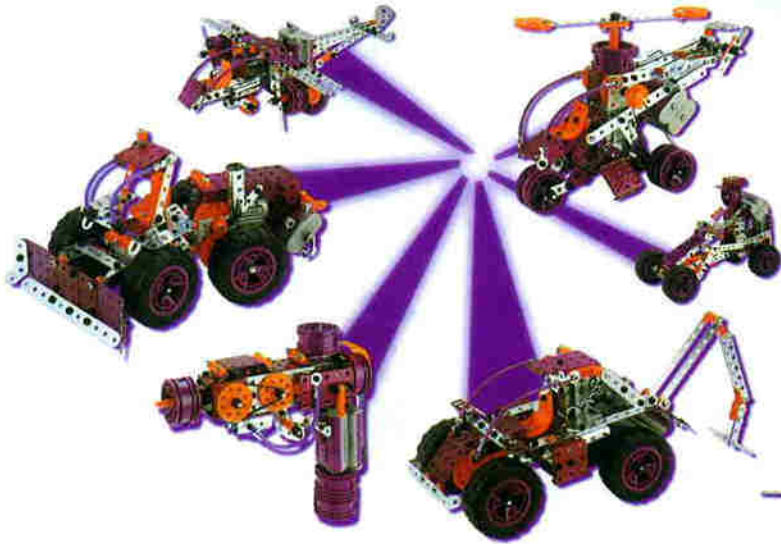
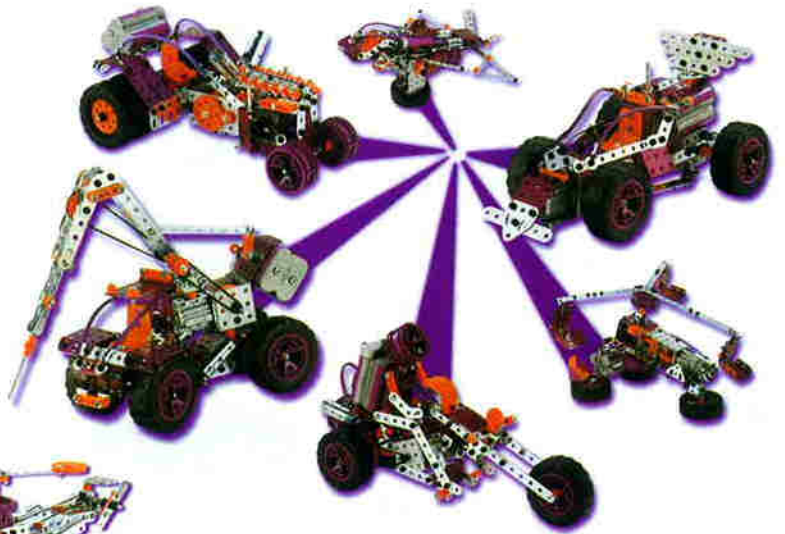
40



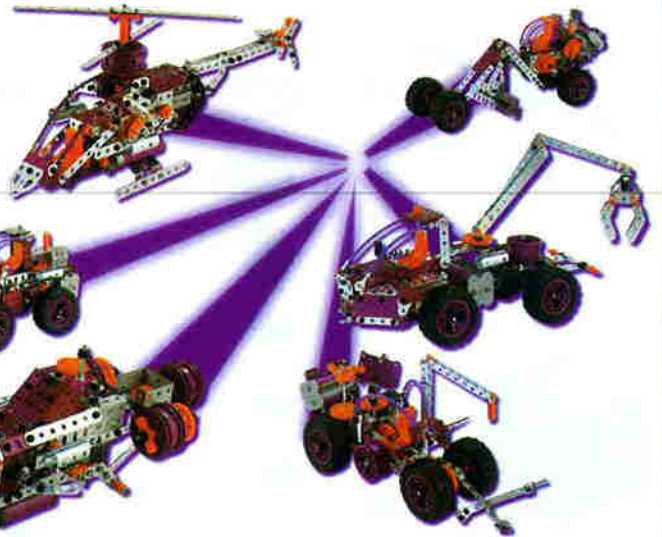
387 PARTS-PIECES-TEILE / PEZZI-PIEZAS-PEÇAS / DELAH-OŠAAT-ALSOELE / ONDERDELEN-YERBAKIR-10.33 |
 40 MODELS-MODELES-MODELLE / MODELLI-MODELOS-MODELOS / MODELLER-MALLUR-MODELLER / MODELLEN-MONTEAR-モデル |
 人 **8-13**



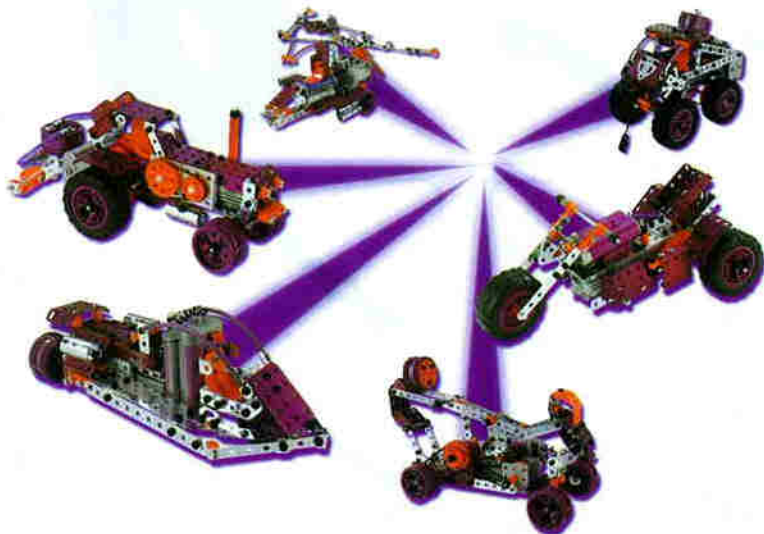
84...



86...



88...



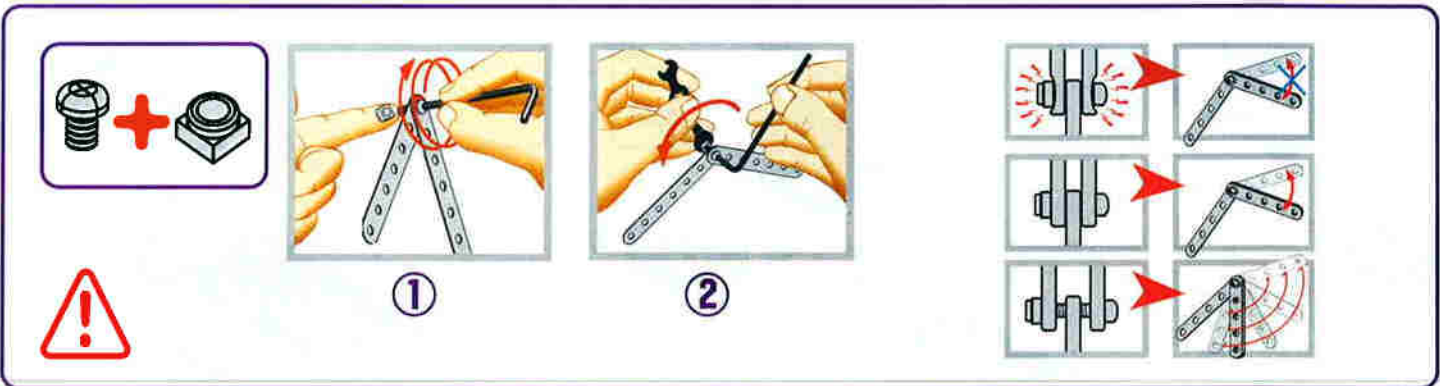
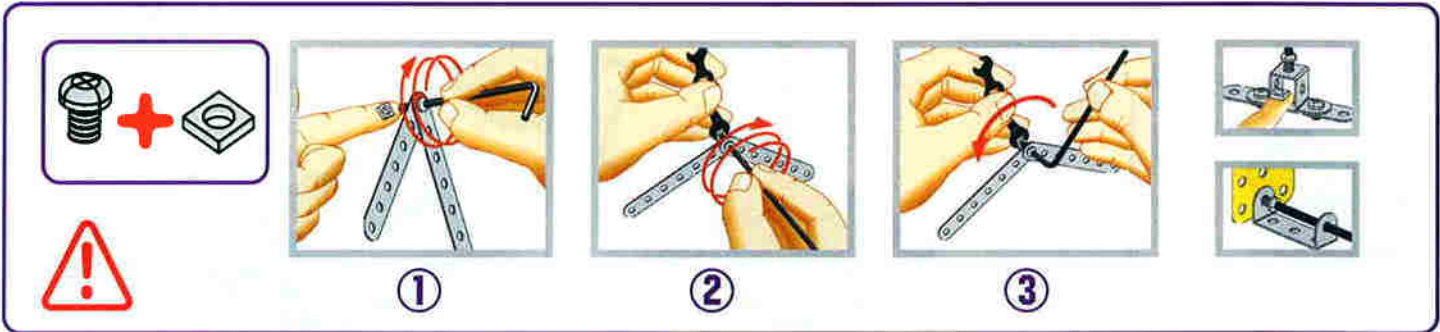
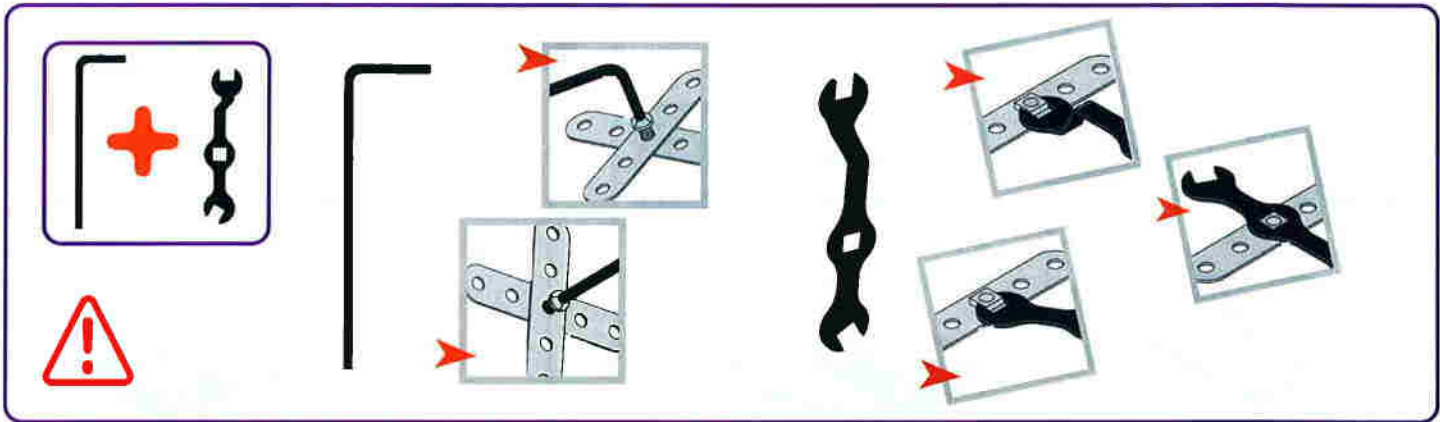
90...

	2	x2		45	x1		103H	x1
	235D	x2		51G	x3		126	x2
	2A	x3		73A	x2		126A	x1
	235B	x2		51F	x1		133A	x2
	3	x2		51E	x1		133C	x4
	5	x2		51B	x3		12	x4
	235H	x2		51D	x1		12C	x5
	48B	x1		163	x2		12B	x2
	46A	x2		103G	x2		212	x4
	48	x2					940	x2
	11	x1					324A	x1

	315B	x1		27A 3P	x1		260C	x5		770	x1
	316B	x3		22C 3P	x2		38A	x29		186A	x2
	317	x3		23B 3P	x1		38B	x9		187C	x5
	160G	x2		144C	x4		23C	x11		J45	x4
	28P 3P	x3		26P 3P	x3		38	x9			
	21P 3P	x2		25B	x3		59B	x6			
				260D	x1		40	x1			
				260A	x1						

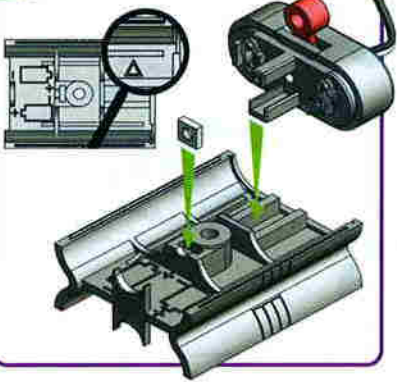
	111D	x3		147D	x2		37B	x59
	111E	x3		111A	x18		37H	x9
	111	x6		111C	x6		37A	x90
	147G	x5		115A	x2			x2

	34	x1
	36C	x1



28 mm 1 1/8"		<p>Scale Échelle Maßstab Scala</p> <p>Escala Schaal Escala Skala</p> <p>Mittakaava Målestok Κλίμακα スケール</p> <p>1:1</p>
25,4 mm 1"		
23 mm 29/32"		
19 mm 3/4"		
14,7 mm 9/16"		
12 mm 1/2"		
9,5 mm 3/8"		
5,8 mm 15/64"		
Cm	0 1 2 3 4 5 6 7 8 9 10 11 12 13 14 15 16	
Inches	0 1 2 3 4 5 6	
50 mm 2"		
75 mm 3"		
100 mm 4"		
120 mm 4 3/4"		

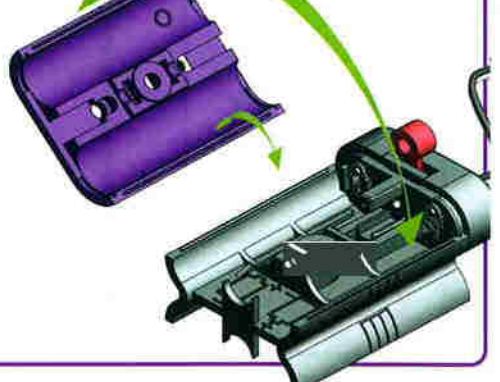
1



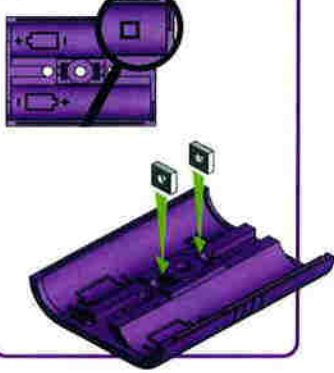
2



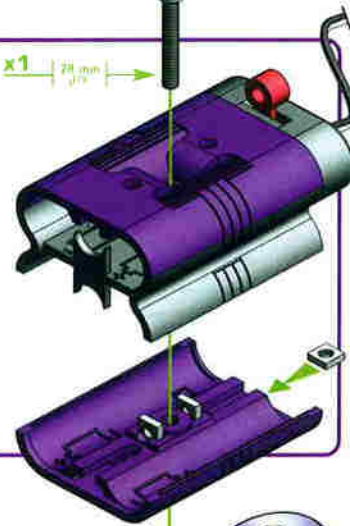
3



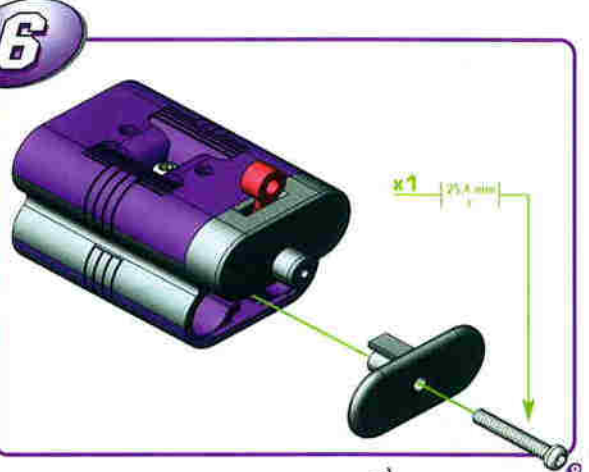
4



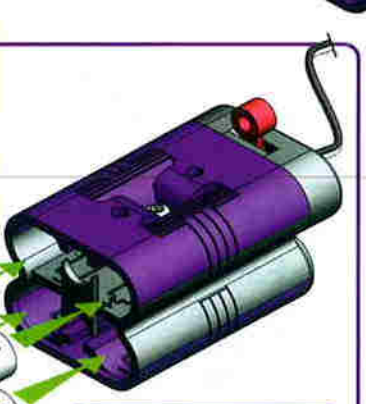
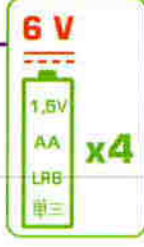
5



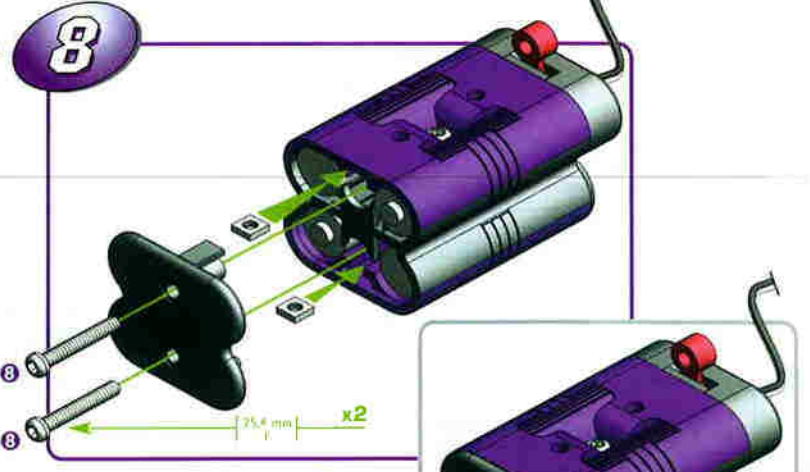
6



7



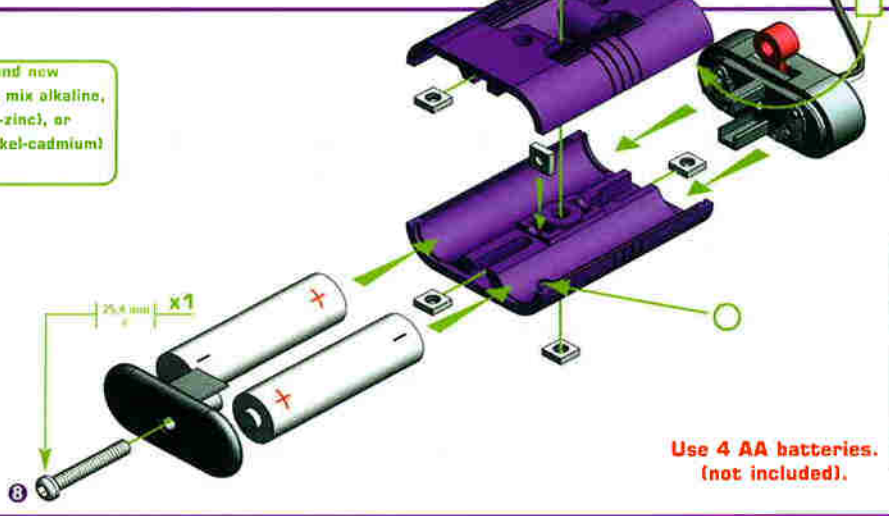
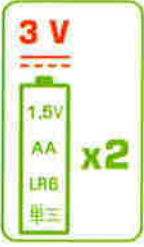
8



Use 4 AA batteries. (not included).

Do not mix old and new batteries. Do not mix alkaline, standard (carbon-zinc), or rechargeable (nickel-cadmium) batteries.

Do not mix old and new batteries. Do not mix alkaline, standard (carbon-zinc), or rechargeable (nickel-cadmium) batteries.

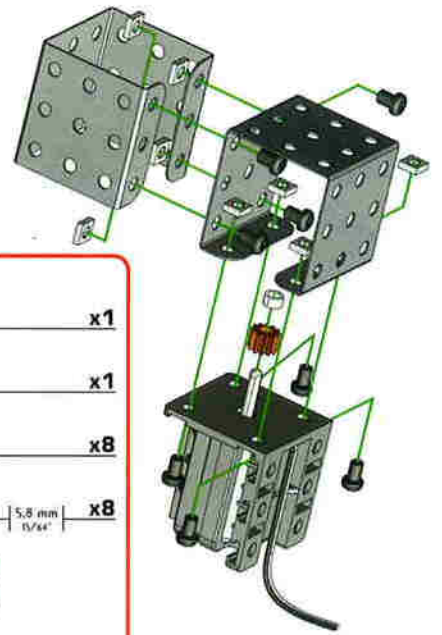


Use 4 AA batteries. (not included).



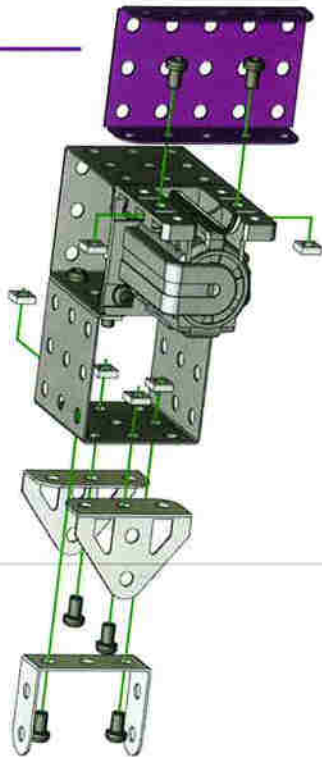
7

- x2
- x1
- x1
- x1
- x1
- x8
- x8
- x8



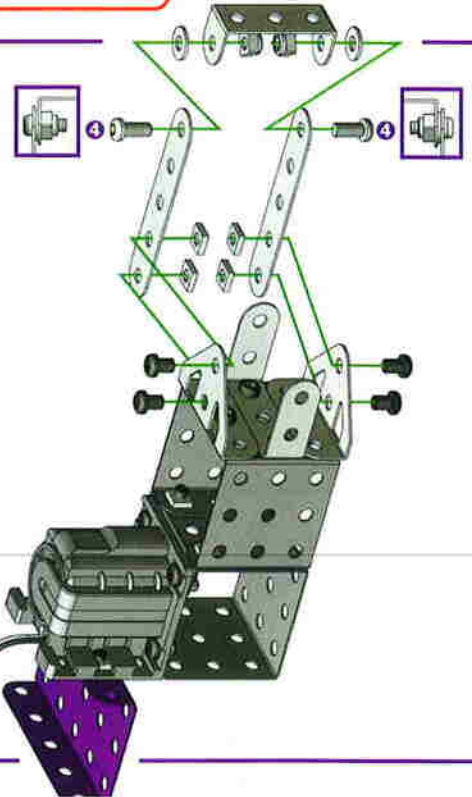
2

- x1
- x1
- x2
- x6
- x6



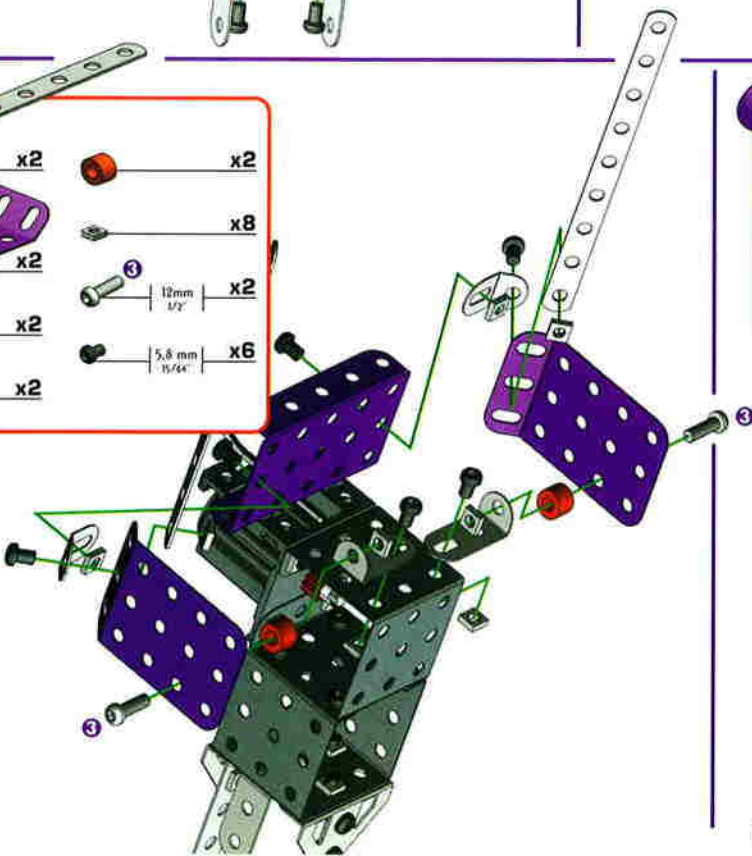
3

- x2
- x1
- x2
- x2
- x4
- x2
- x4



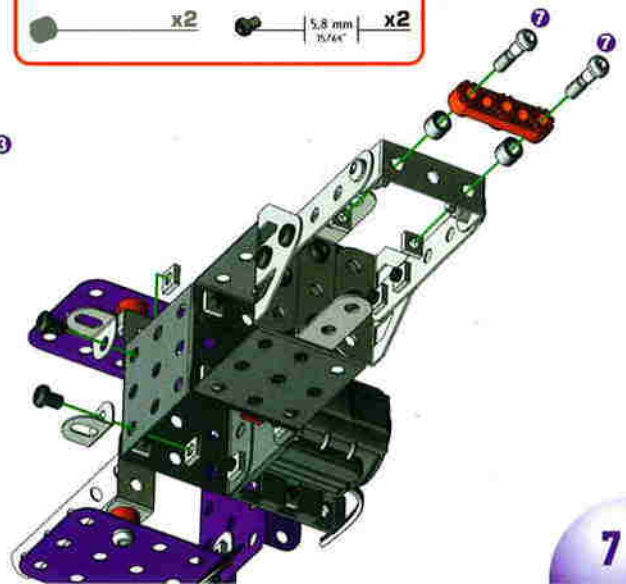
4

- x2
- x2
- x2
- x2
- x2
- x2
- x8
- x2
- x6

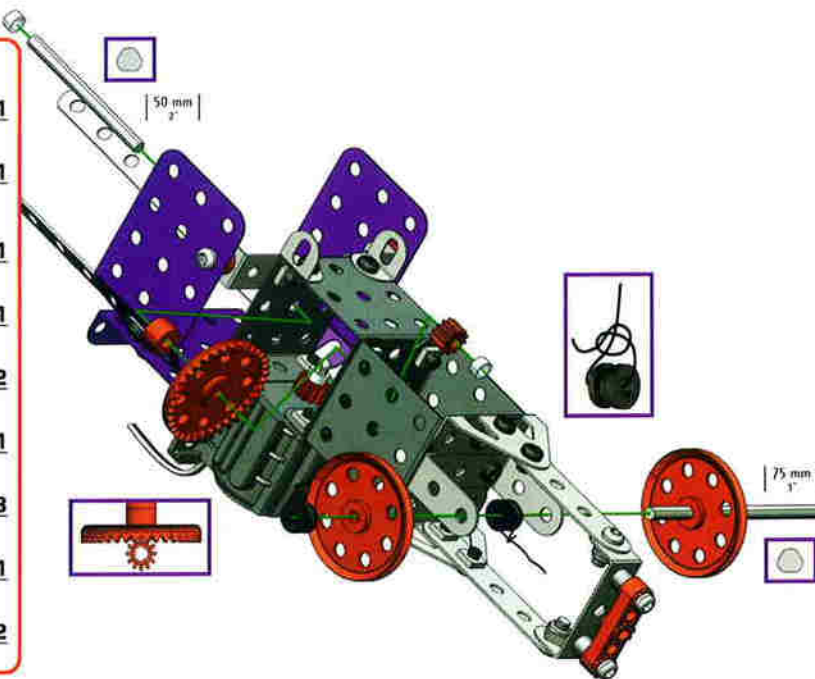








5

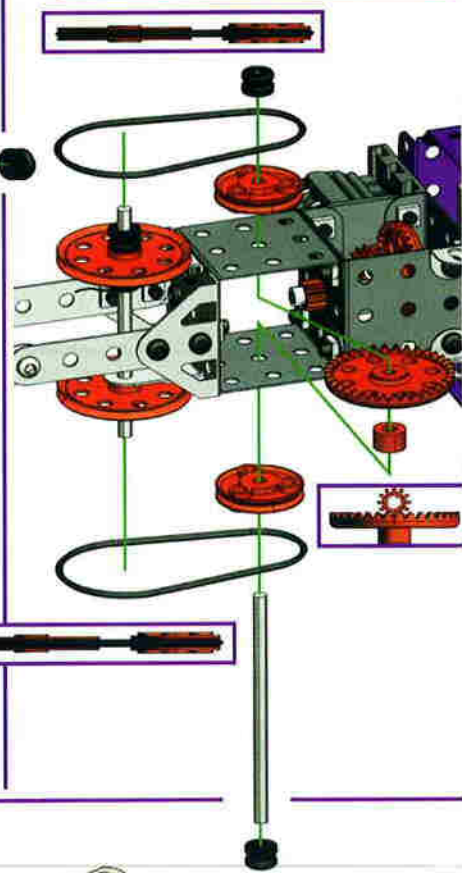
- x1
- x2
- x2
- x4
- x2
- x2







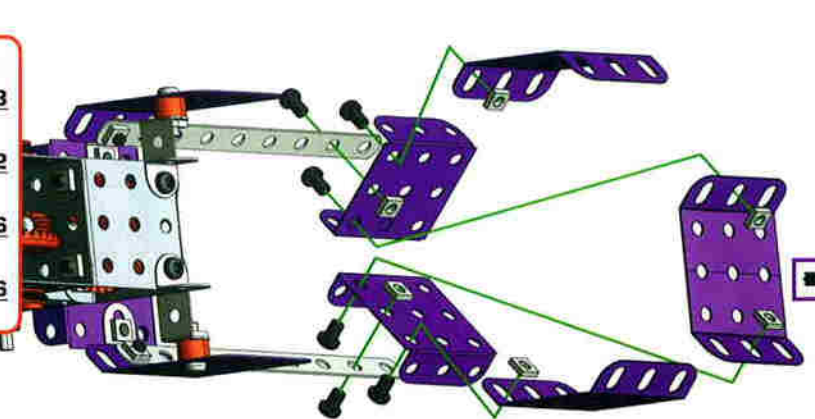
- 6**
-  75 mm x1
 -  50 mm x1
 -  1.50 mm x1
 -  x1
 -  x2
 -  x1
 -  x3
 -  x1
 -  x2









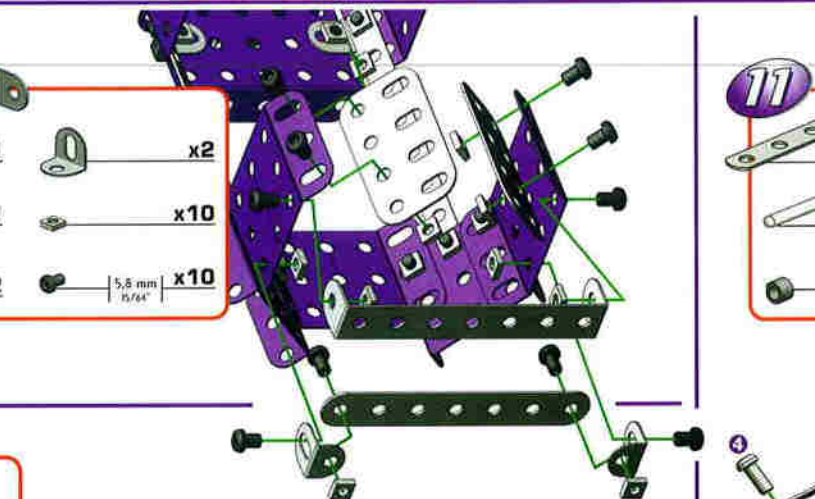
- 7**
-  75 mm x1
 -  x2
 -  x2
 -  x1
 -  150 mm x2
 -  x1










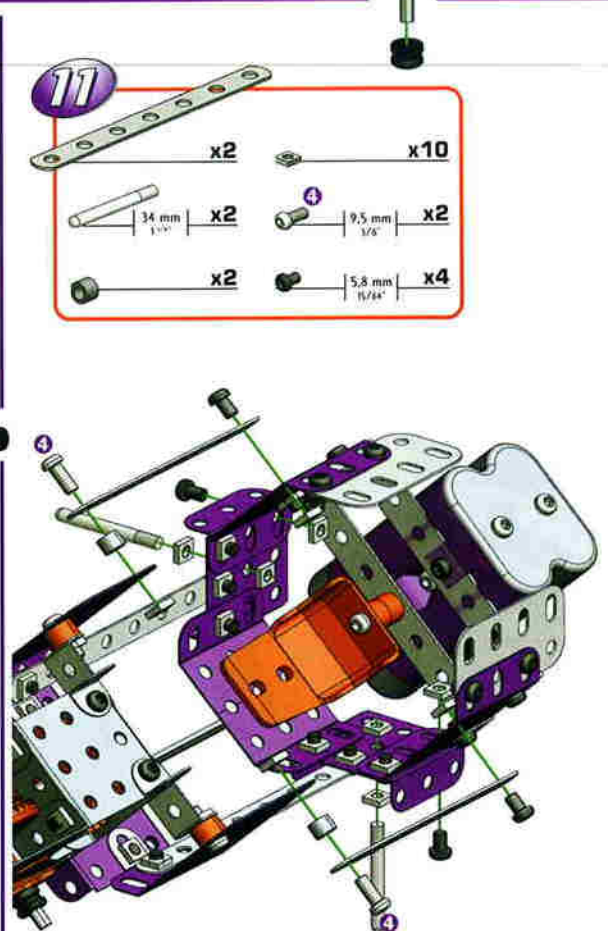
- 8**
-  x3
 -  x2
 -  x6
 -  5.8 mm x6









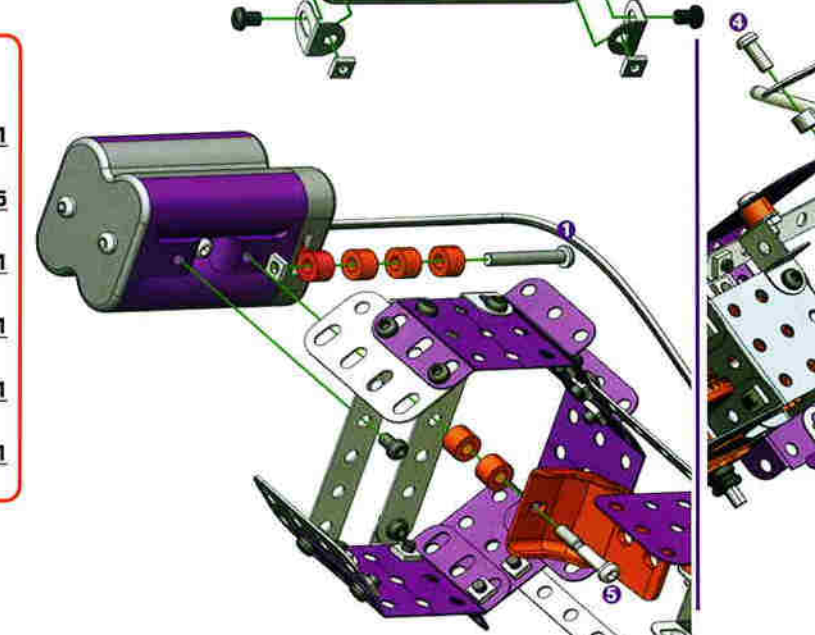
- 9**
-  x1
 -  x1
 -  x2
 -  x2
 -  x10
 -  5.8 mm x10

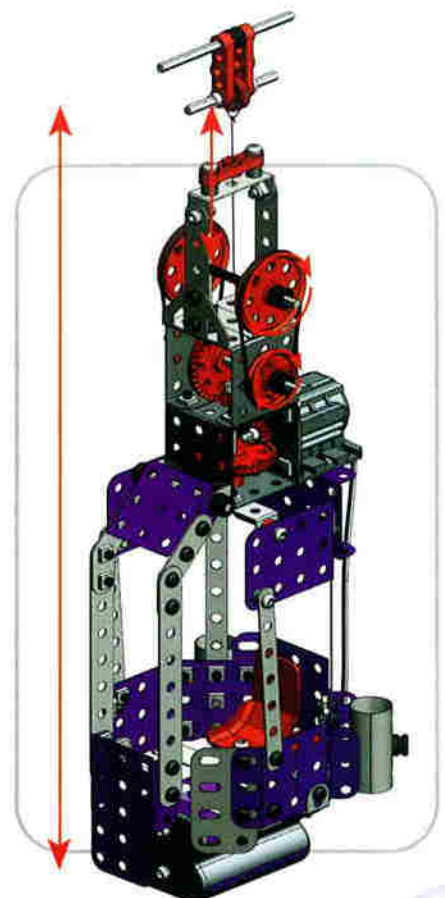
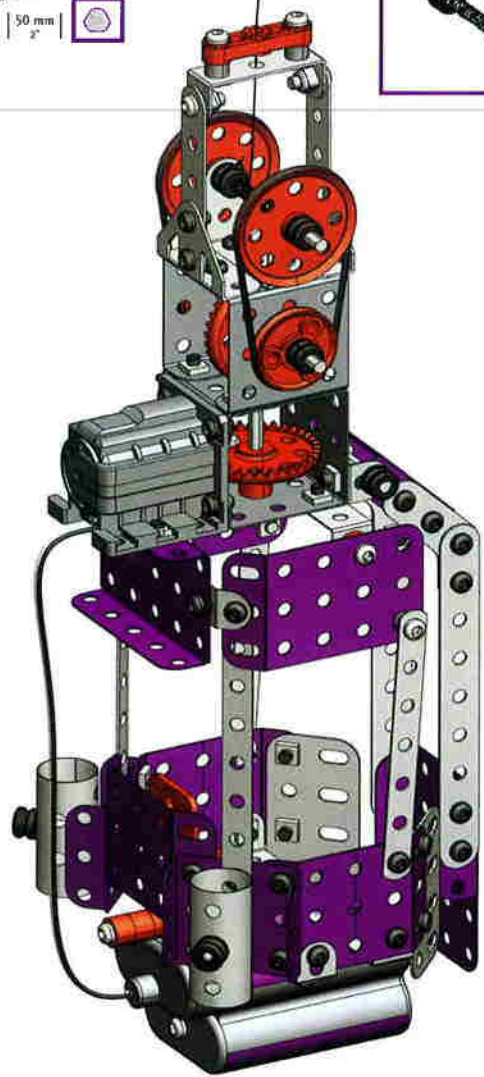
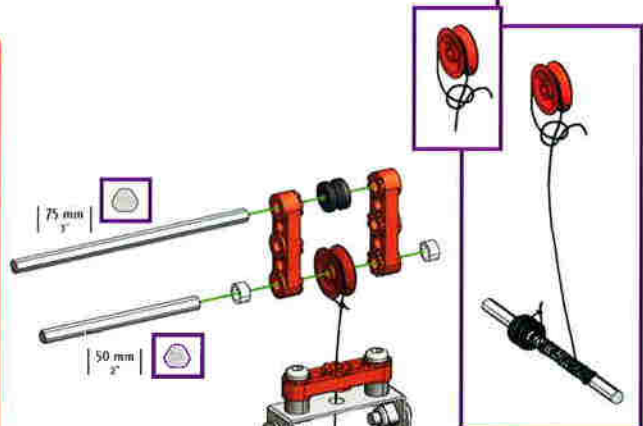
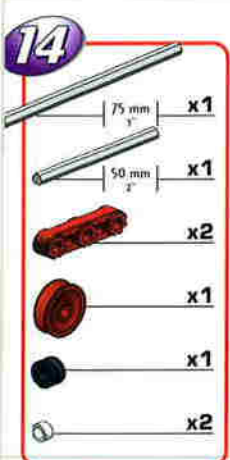
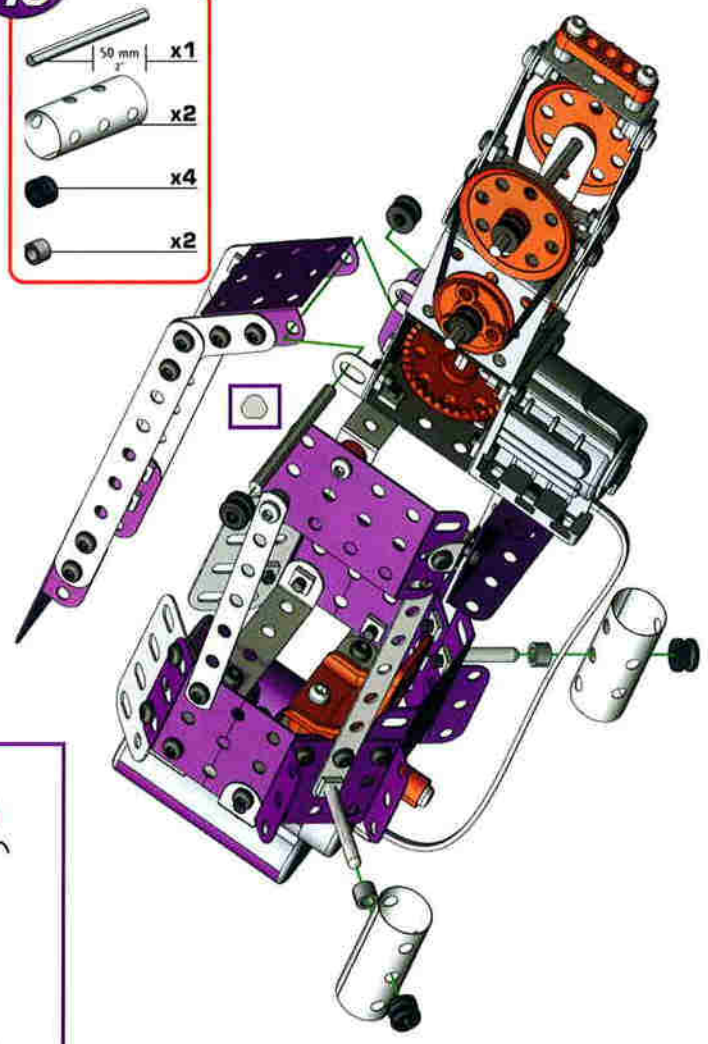
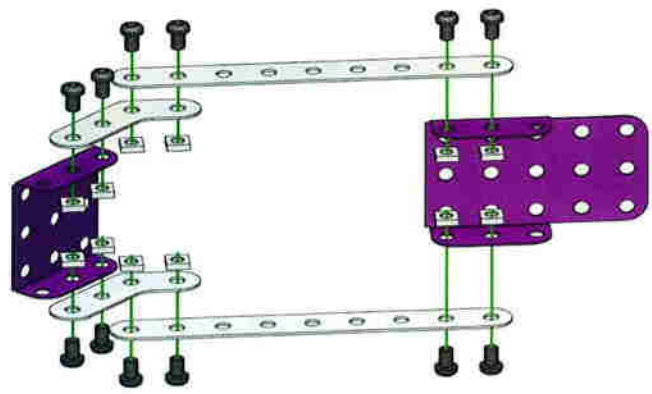
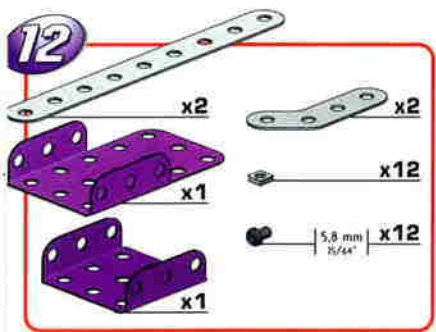


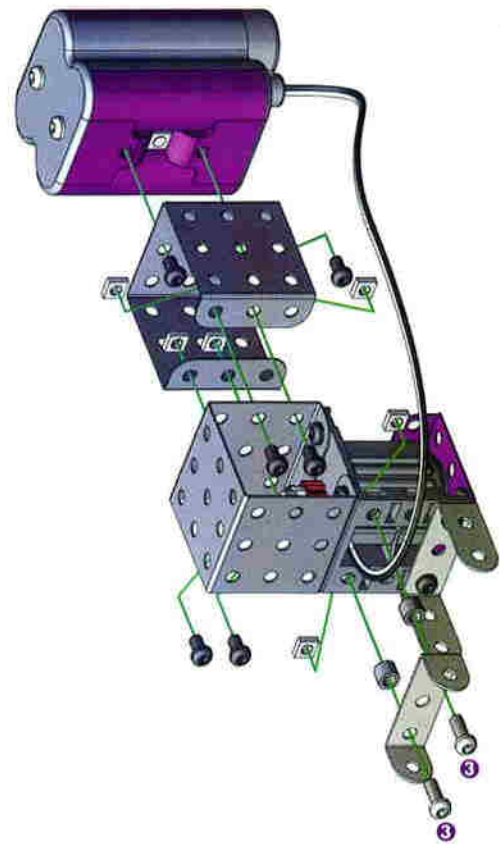
- 11**
-  x2
 -  x2
 -  x2
 -  x10
 -  4 x2
 -  9.5 mm x2
 -  5.8 mm x4



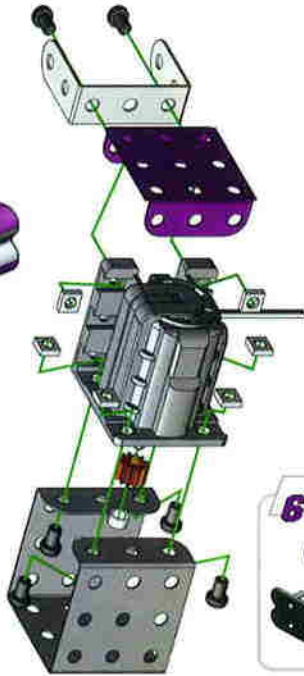
- 10**
-  x1
 -  x5
 -  x1
 -  28 mm x1
 -  23 mm x1
 -  5.8 mm x1







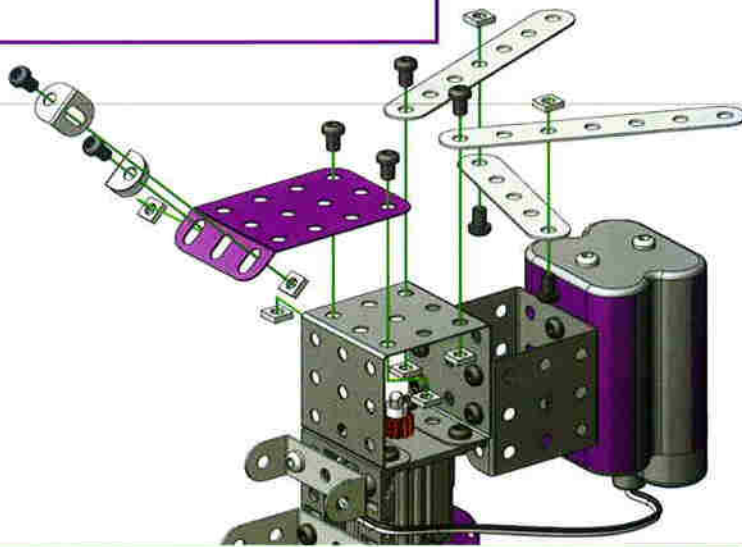
- 1**
- x1
 - x1
 - x1
 - x1
 - x1
 - x1
 - x6
 - x6



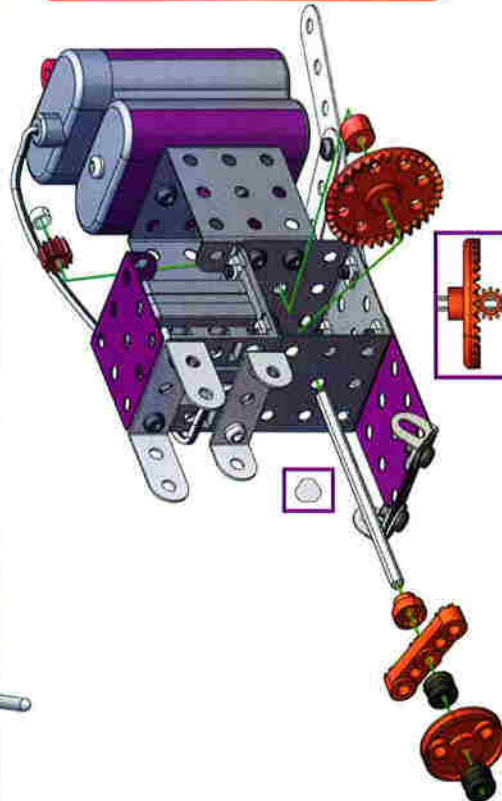
- 2**
- x1
 - x1
 - x2
 - x6
 - x2
 - x6



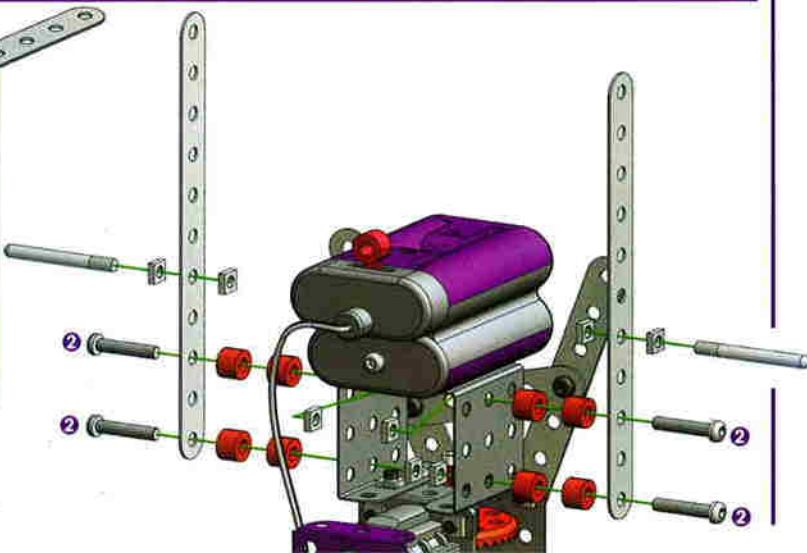
- 3**
- x1
 - x2
 - x1
 - x2
 - x8
 - x8



- 4**
- x1
 - x1
 - x1
 - x1
 - x1
 - x1
 - x1
 - x1
 - x1
 - x2
 - x1

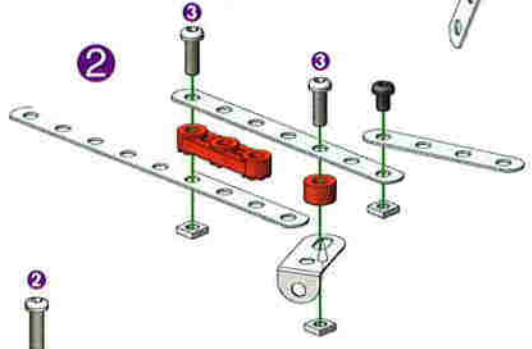
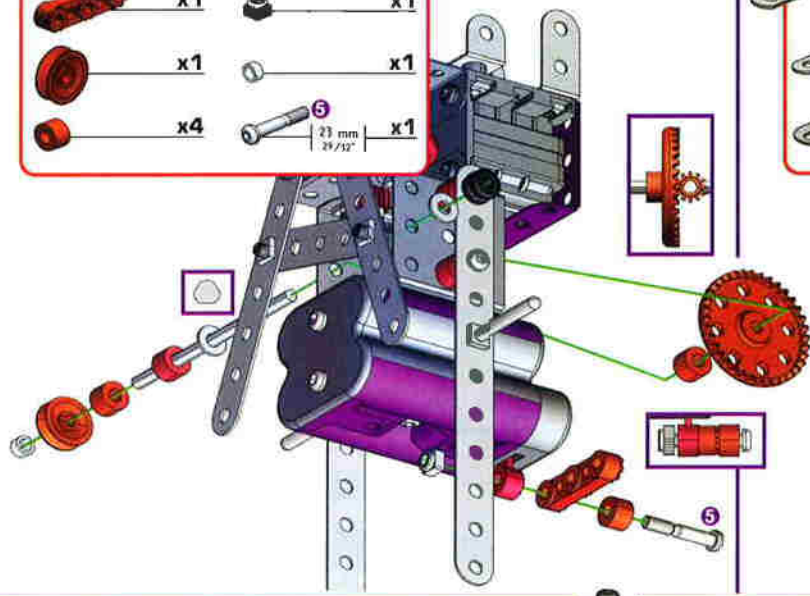
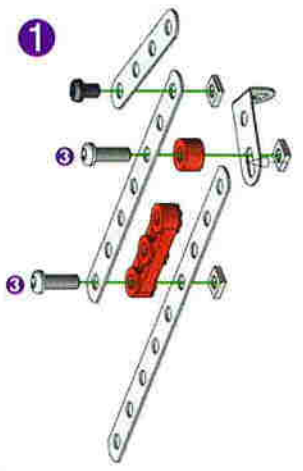


- 5**
- x2
 - x2
 - x8
 - x8
 - x4

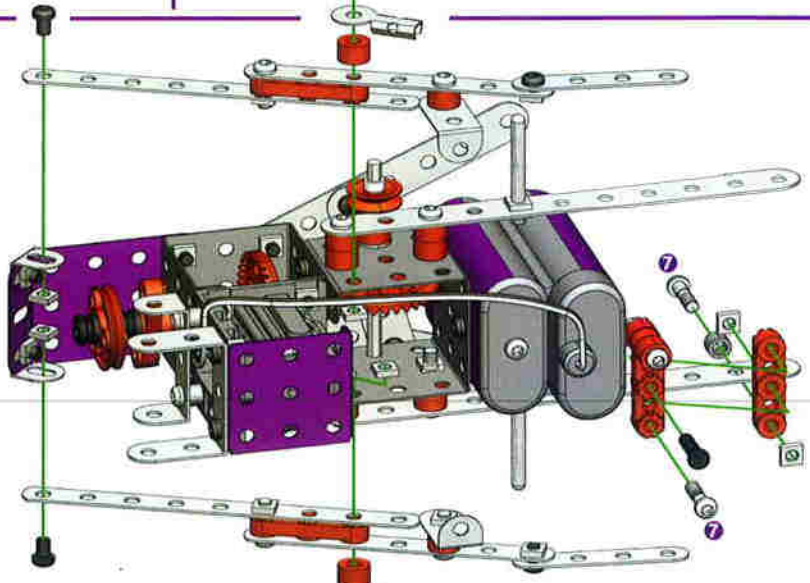


- 6**
- 75 mm | x1
 - x1
 - x1
 - x1
 - x4
 - x2
 - x1
 - x1
 - x1
 - 23 mm | 29/32" | x1

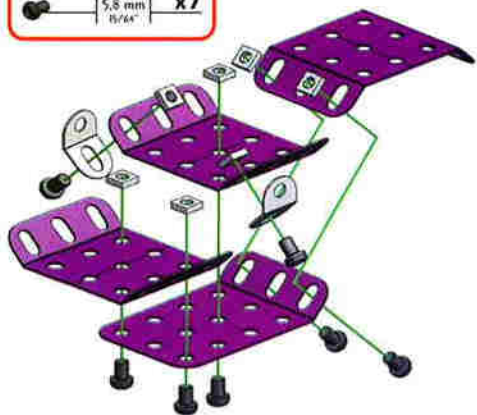
- 7**
- x2
 - x2
 - x2
 - x2
 - x2
 - 12mm | 1/2" | x4
 - 5,8 mm | 9/64" | x2



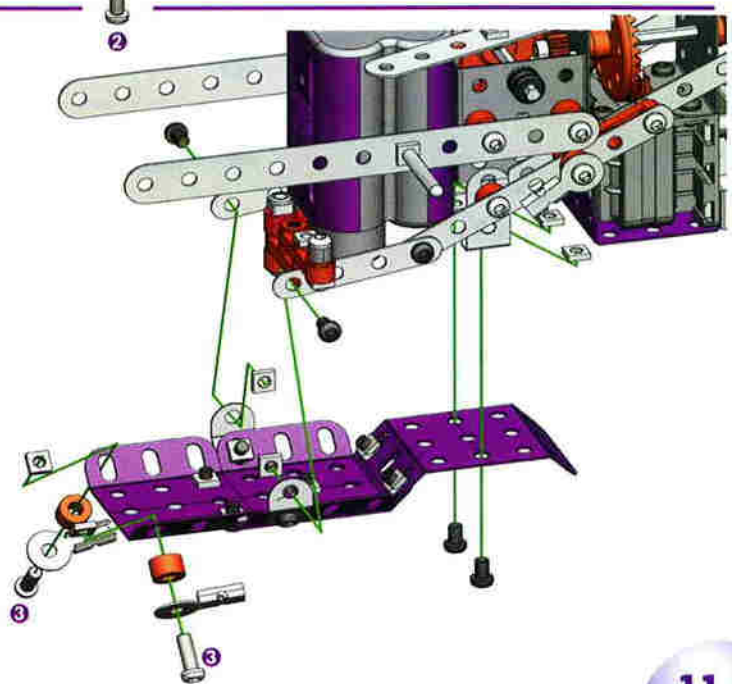
- 8**
- x1
 - x2
 - x1
 - x2
 - x1
 - x6
 - 19 mm | 3/4" | x2
 - 14,7 mm | 9/16" | x2
 - 5,8 mm | 9/64" | x2

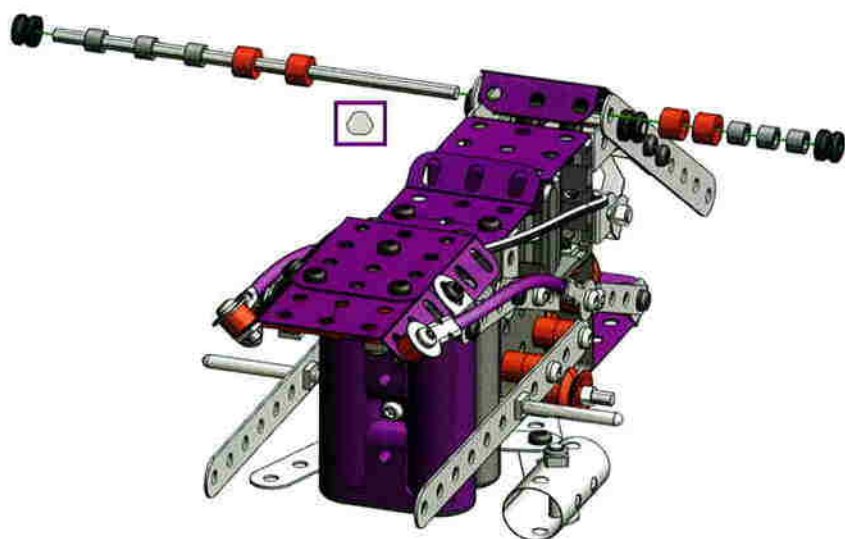
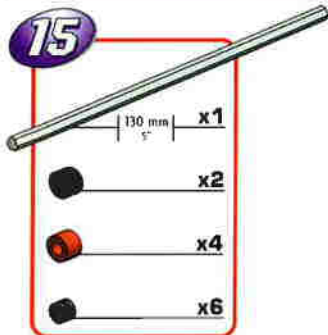
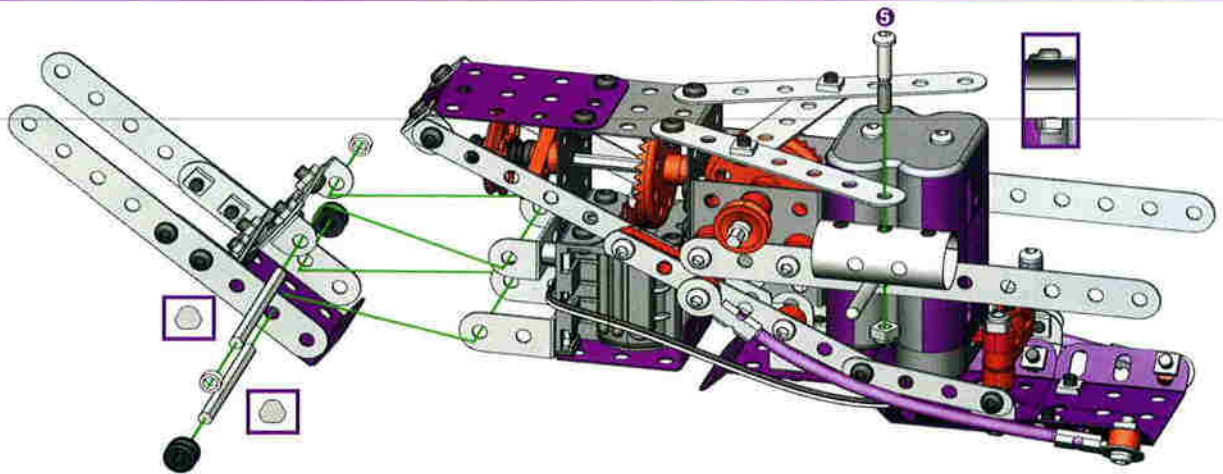
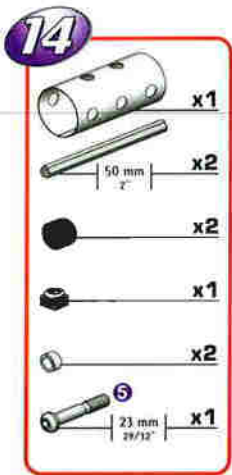
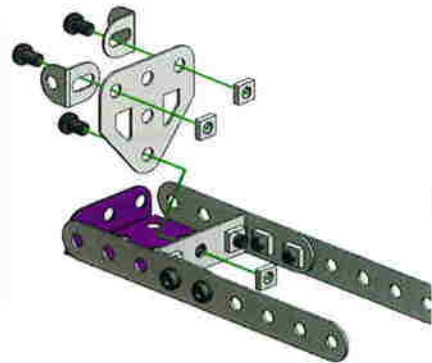
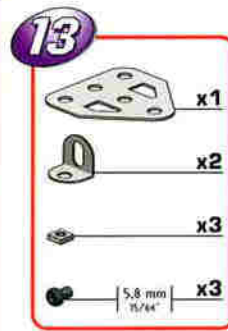
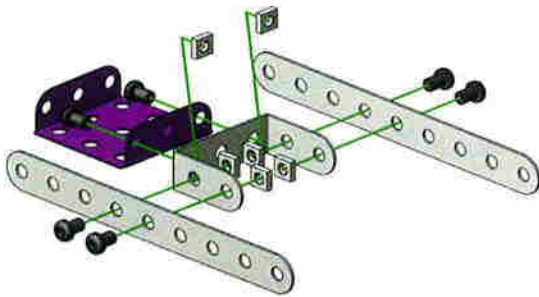
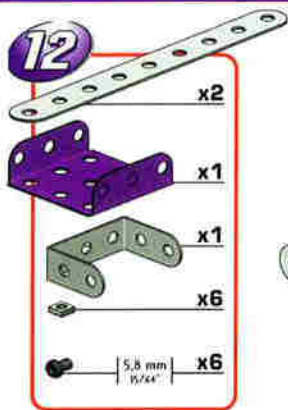
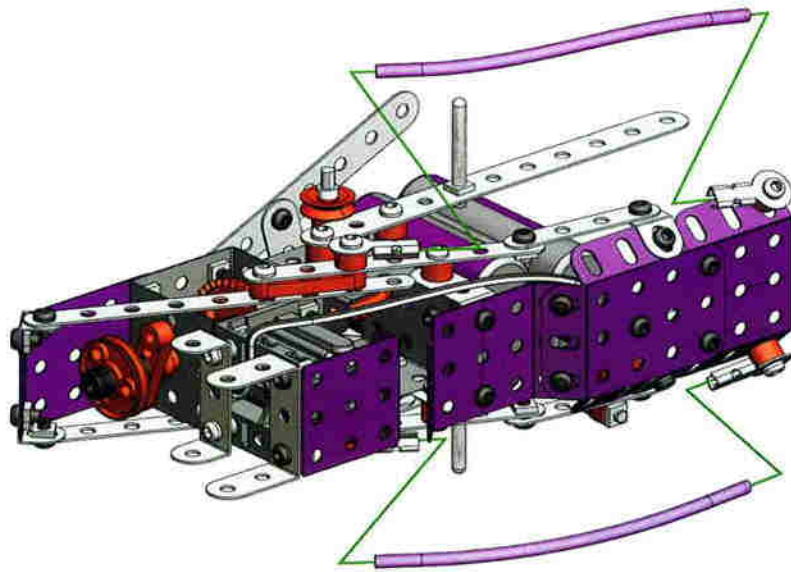
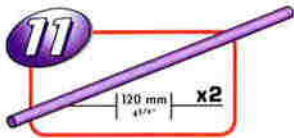


- 9**
- x1
 - x3
 - x2
 - x7
 - 5,8 mm | 9/64" | x7



- 10**
- x2
 - x2
 - x6
 - 12mm | 1/2" | x2
 - 5,8 mm | 9/64" | x4





16



x2

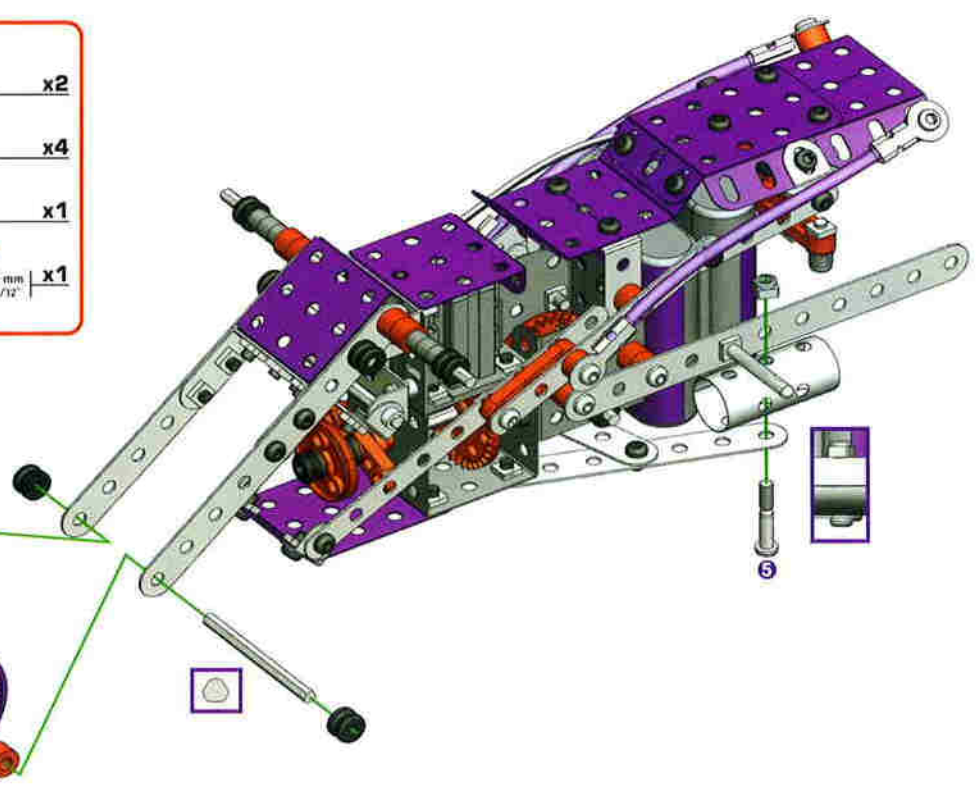
x4

x1

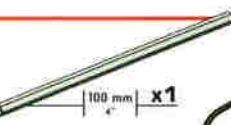
x1



23 mm 29/32" x1



17

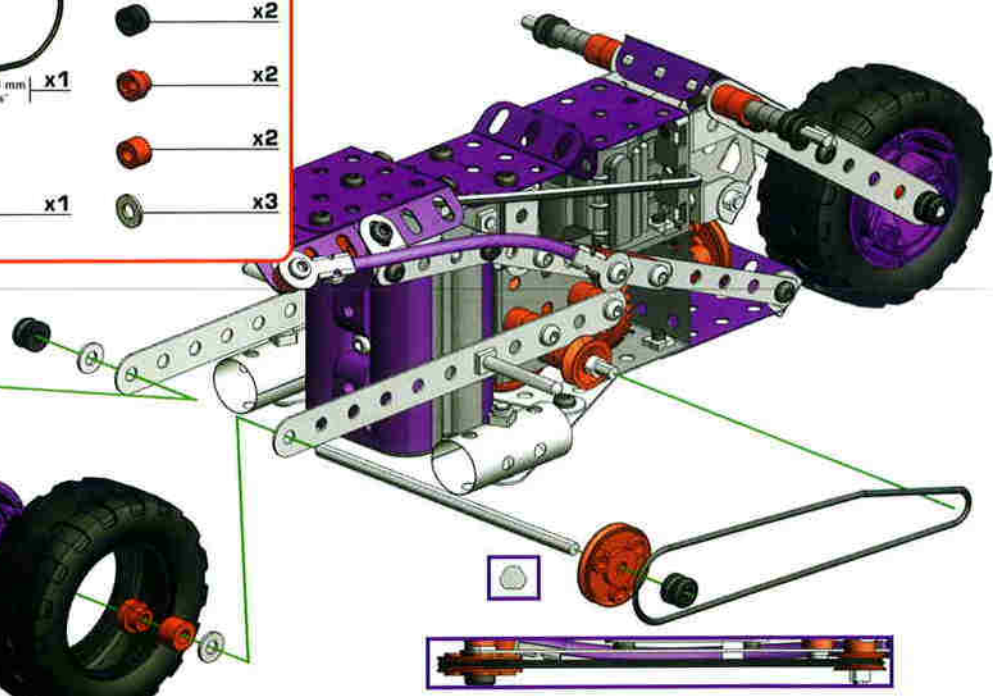
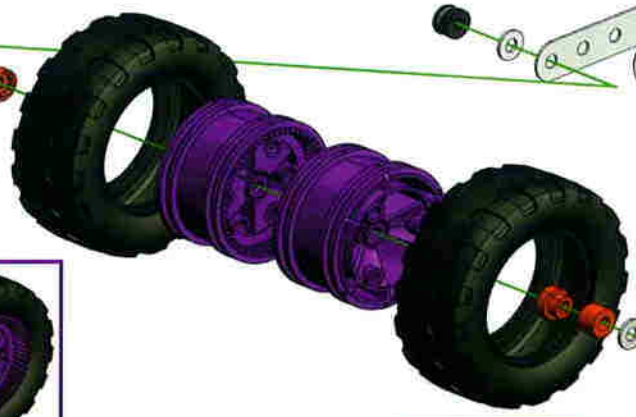


x2

x2

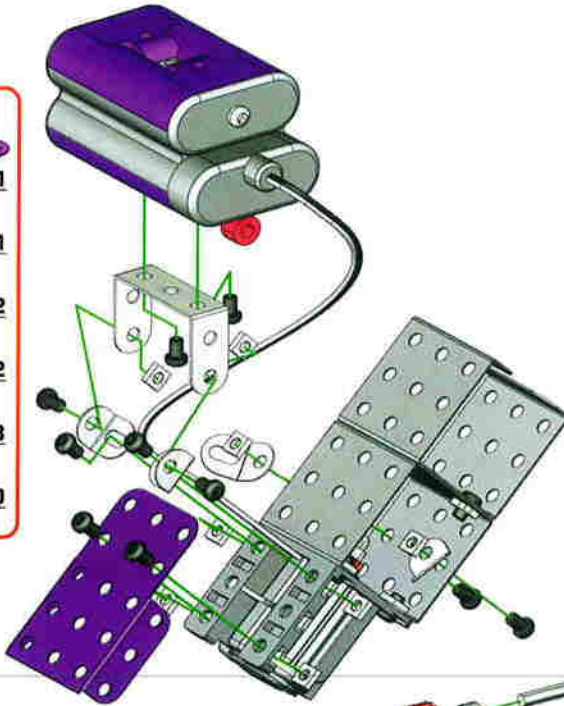
x2

x3





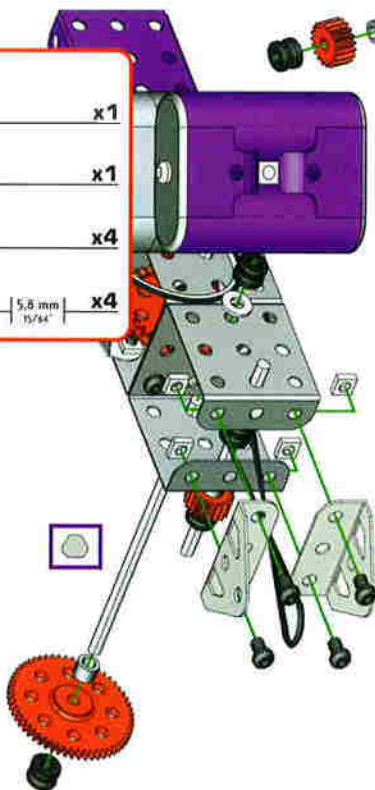
- 2**
- x1
 - x1
 - x2
 - x2
 - x8
 - x10



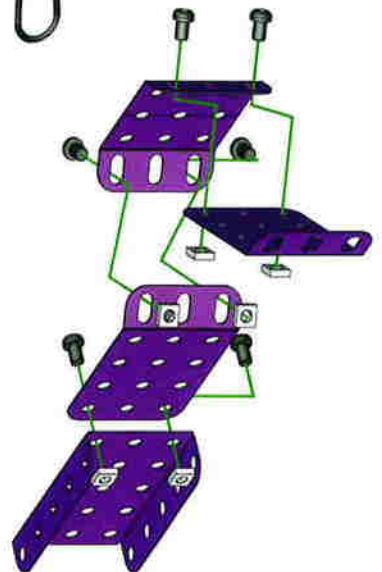
- 1**
- x2
 - x1
 - x1
 - x1
 - x6
 - x6



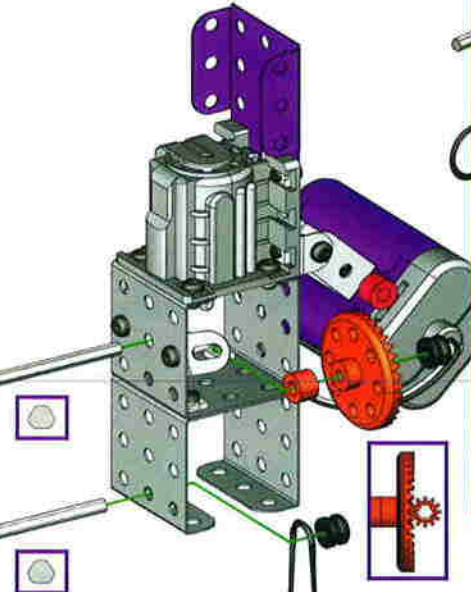
- 4**
- x1
 - x1
 - x2
 - x2
 - x1
 - x1
 - x4
 - x4



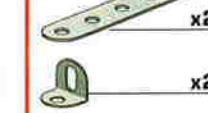



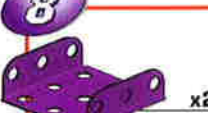


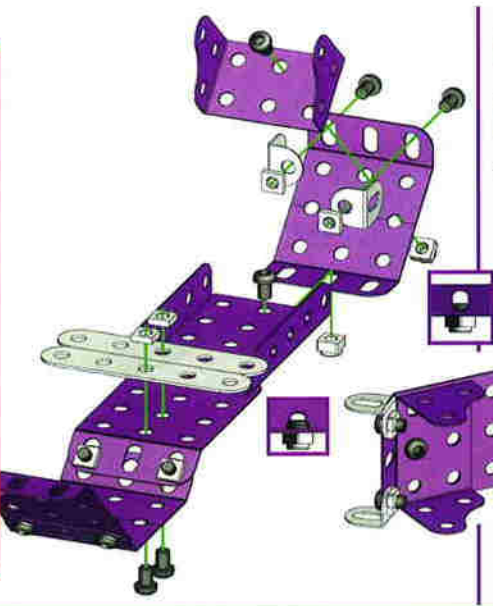
- 5**
- x1
 - x2
 - x1
 - x6
 - x6

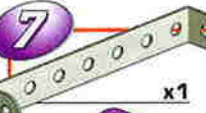



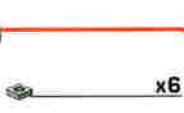
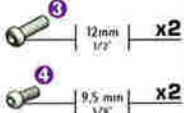




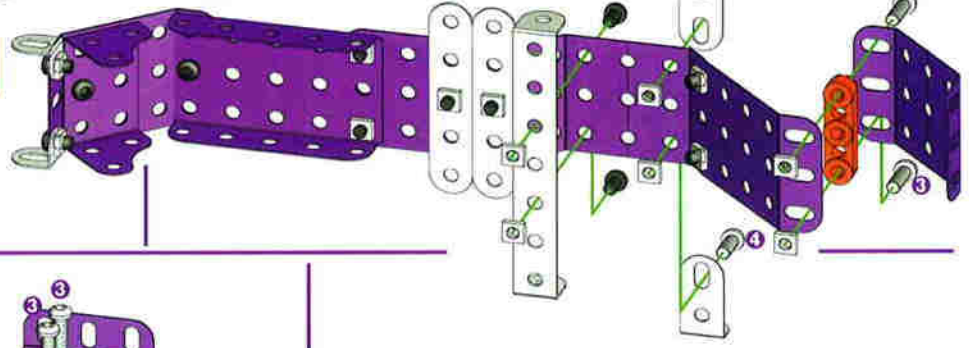
- 3**
- x2
 - x1
 - x1
 - x2
 - x4
 - x1
 - x2




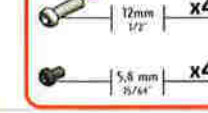




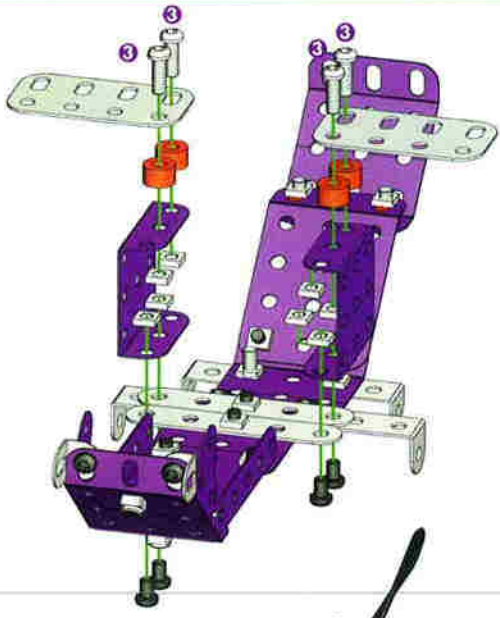
- 6**
-  x1
 -  x1
 -  x2
 -  x2
 -  x2
 -  x4
 -  x6
- 5,8 mm
5/64"

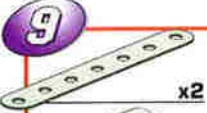








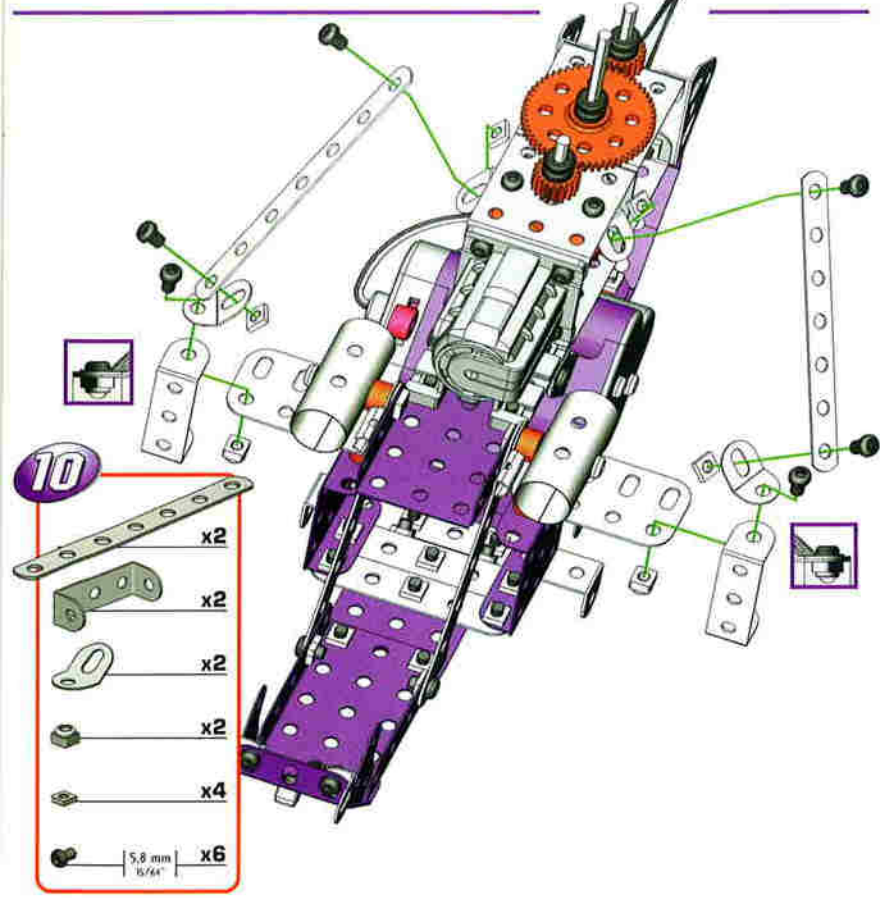
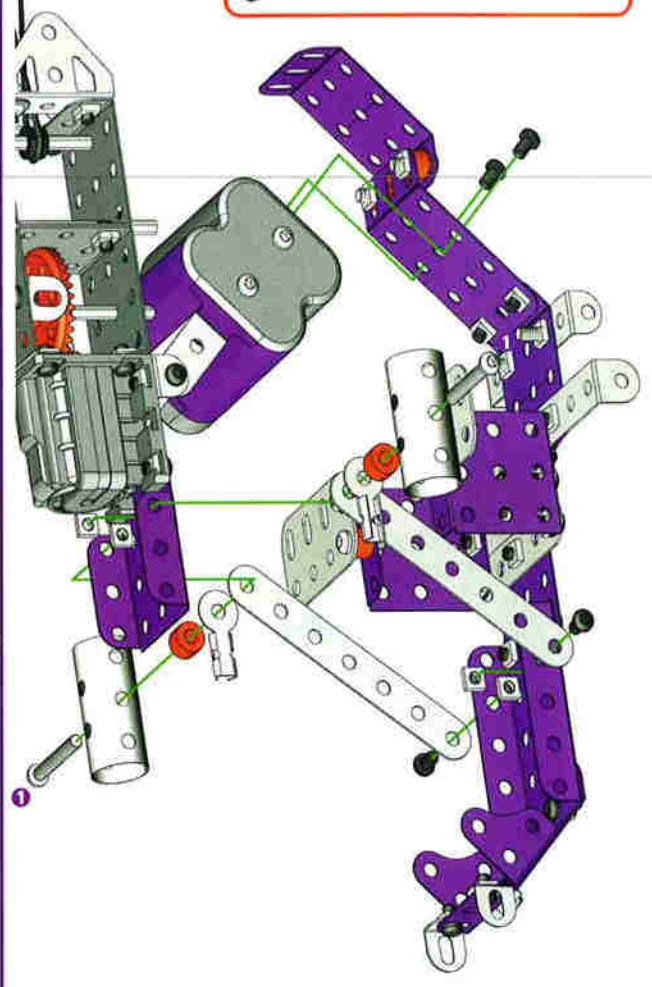
- 7**
-  x1
 -  x1
 -  x2
 -  x1
 -  x6
 -  12mm
1/2" x2
 -  9,5 mm
3/8" x2
 -  5,8 mm
5/64" x2


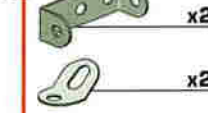





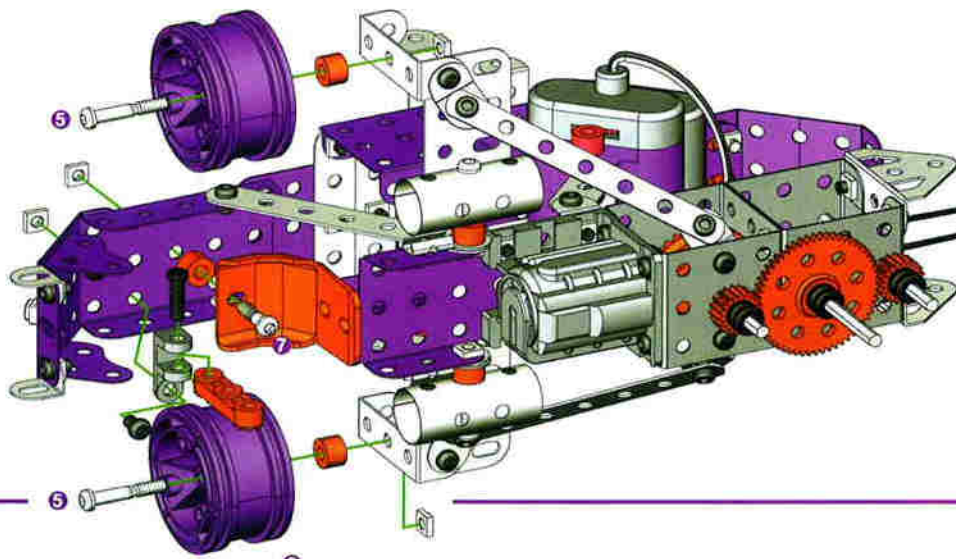
- 8**
-  x2
 -  x2
 -  x4
 -  x8
 -  12mm
1/2" x4
 -  5,8 mm
5/64" x4



- 9**
-  x2
 -  x2
 -  x2
 -  x2
 -  x4
 -  28 mm
1" x2
 -  5,8 mm
5/64" x4

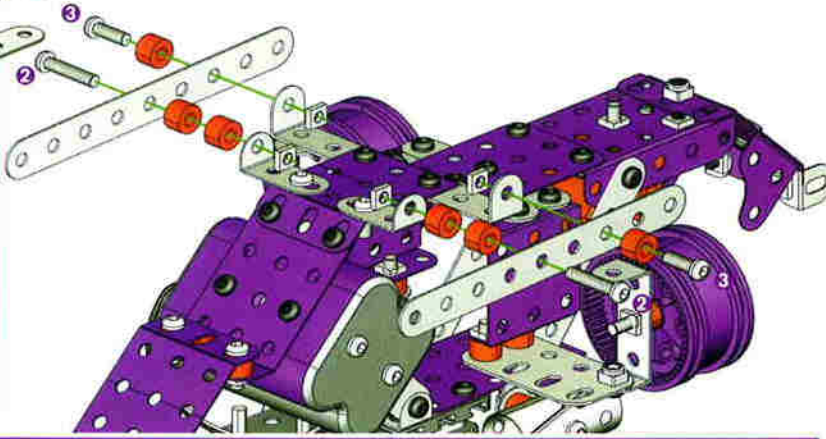


- 10**
-  x2
 -  x2
 -  x2
 -  x2
 -  x4
 - 5,8 mm
5/64" x6

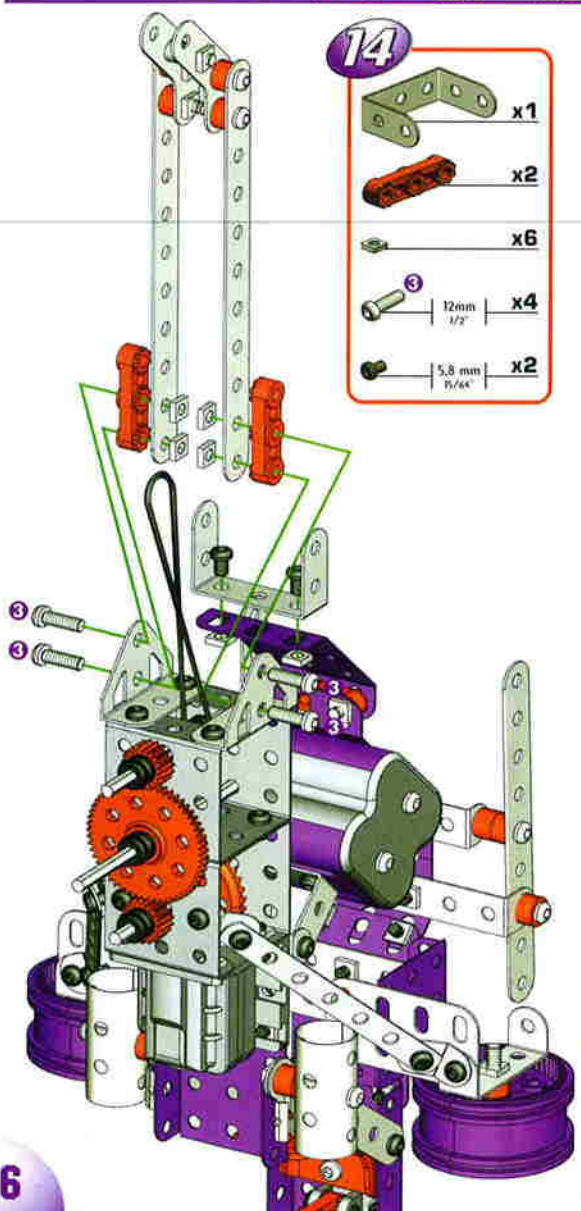
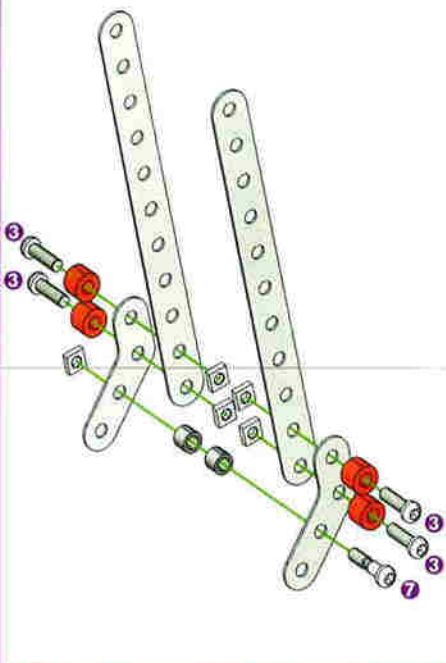


- 11**
- x1
 - x3
 - x4
 - x2
 - x1
 - x1
 - x1
 - x1
 - x1
 - x1
 - x1

- 12**
- x2
 - x6
 - x4
 - x2
 - x2

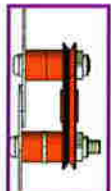
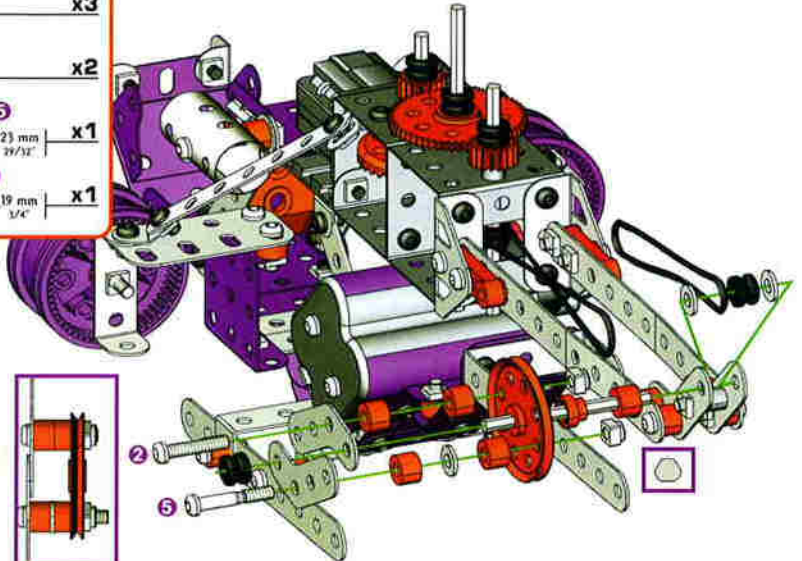


- 13**
- x2
 - x1
 - x4
 - x4
 - x5
 - x2


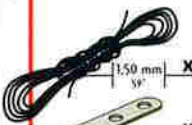
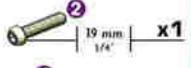











- 14**
- x1
 - x2
 - x6
 - x4
 - x2

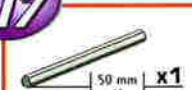







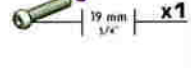
- 15**
- x1
 - x1
 - x2
 - x1
 - x1
 - x2
 - x5
 - x3
 - x2
 - x1
 - x1

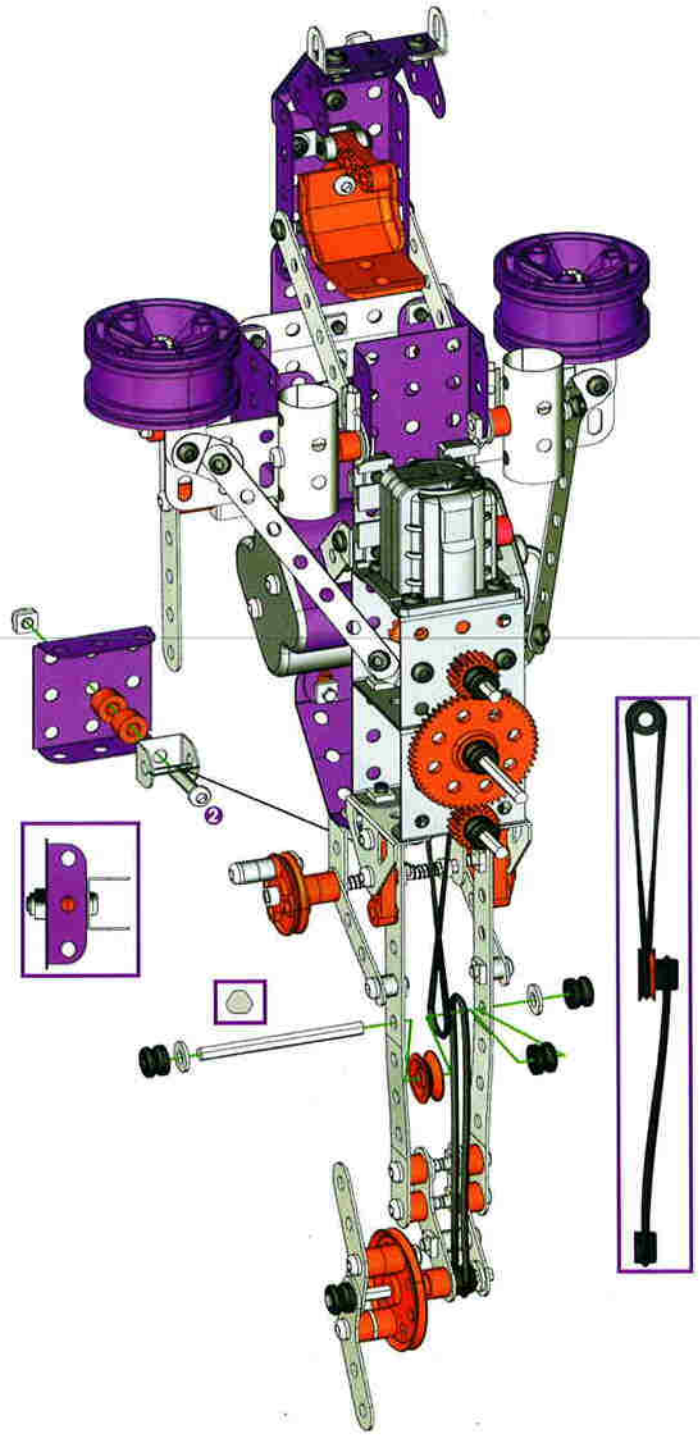
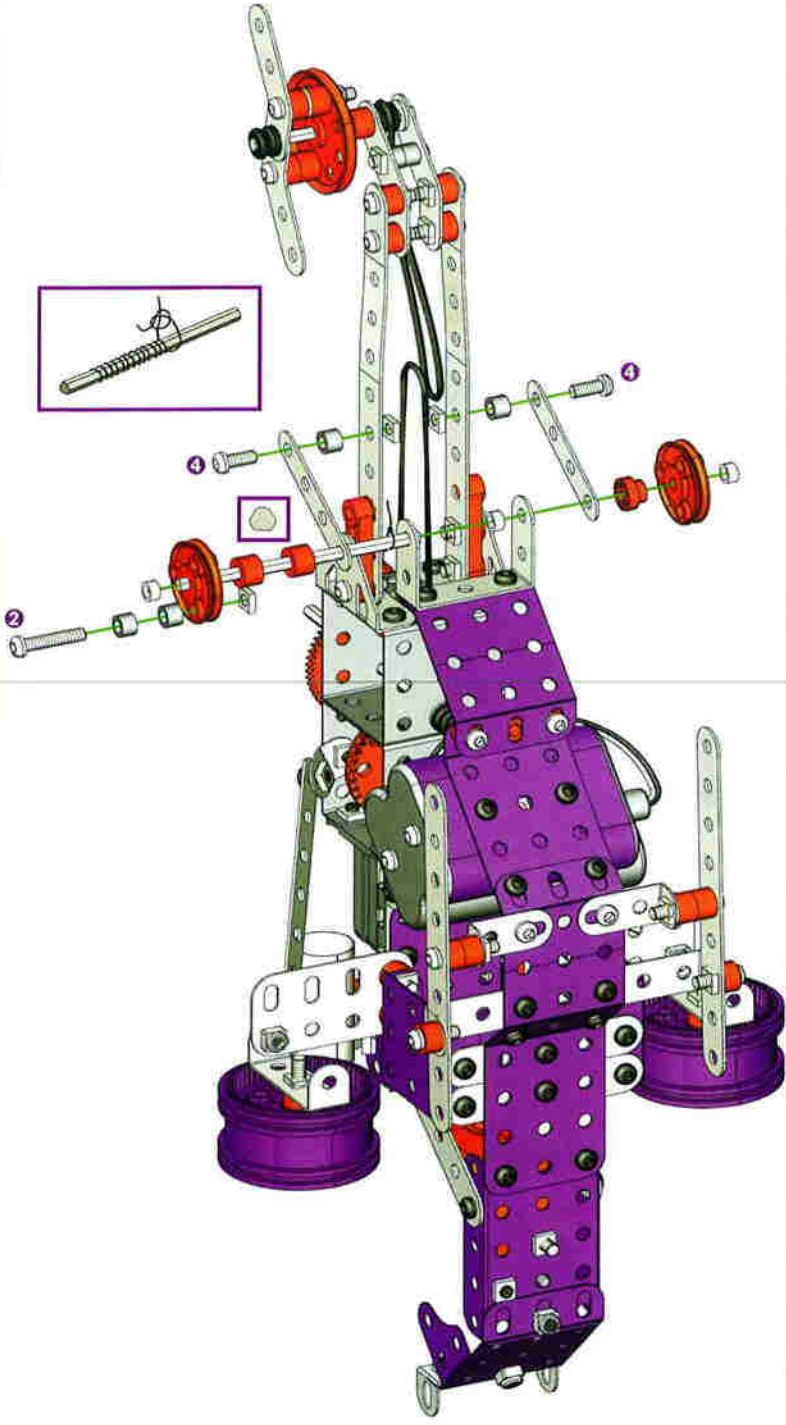


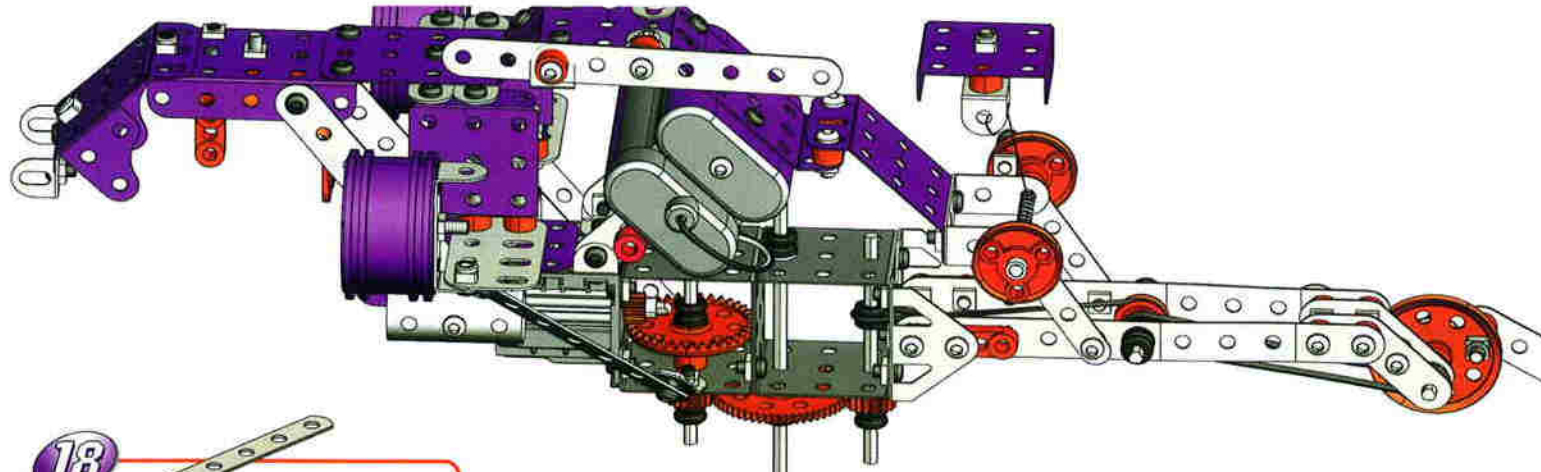
16

-  75 mm | x1
-  1.50 mm | x1
-  19 mm | x1
-  9.5 mm | x2
-  x2
-  x1
-  x2
-  x4
-  x3
-  x3
-  x1
-  x2

17

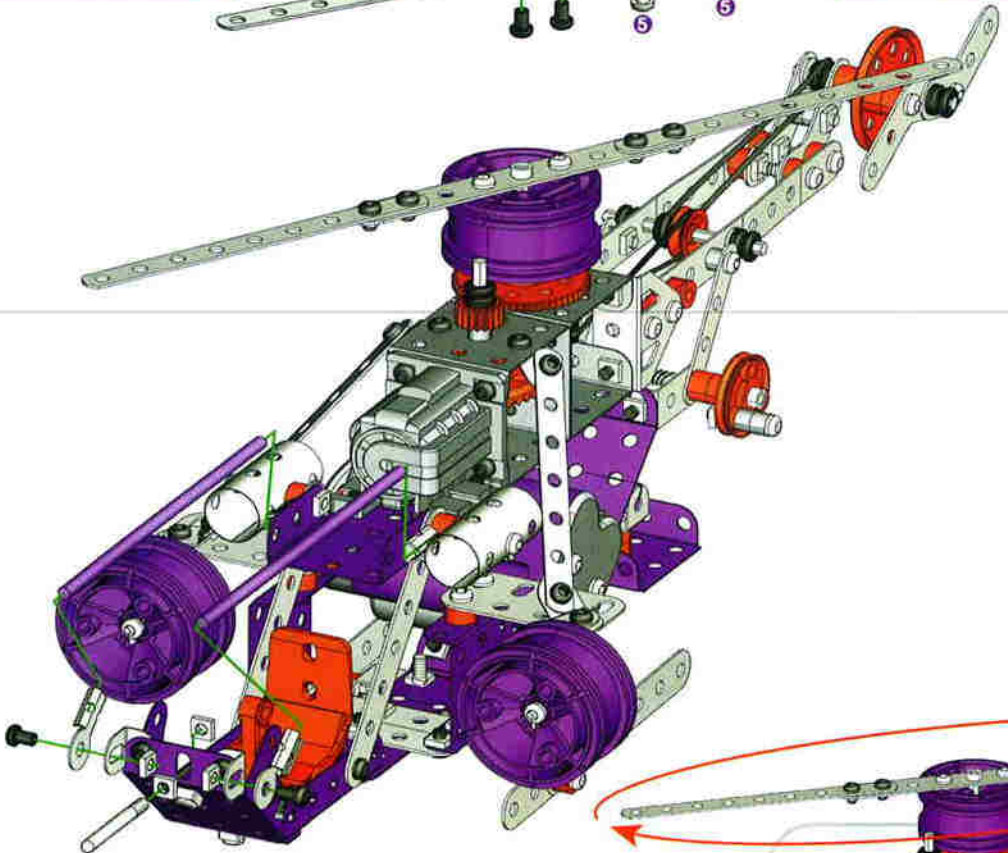
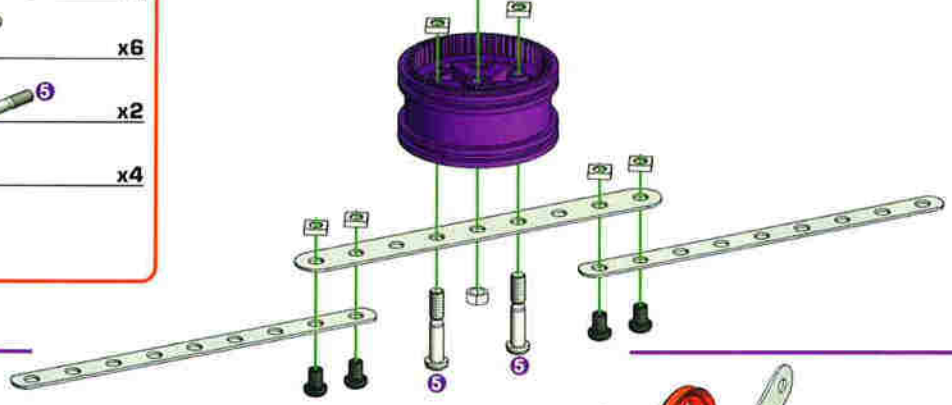
-  50 mm | x1
-  x1
-  x1
-  x1
-  x2
-  x3
-  x2
-  x1
-  19 mm | x1





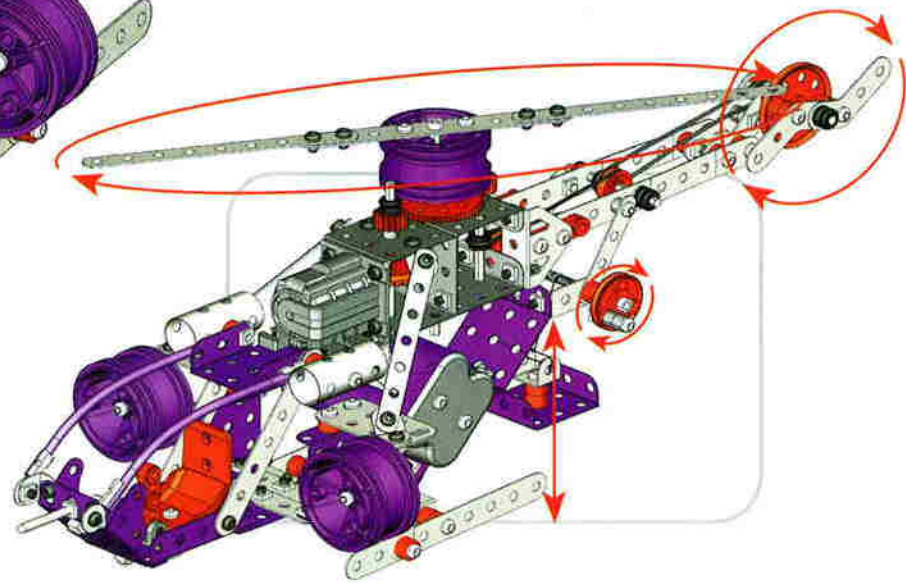
18

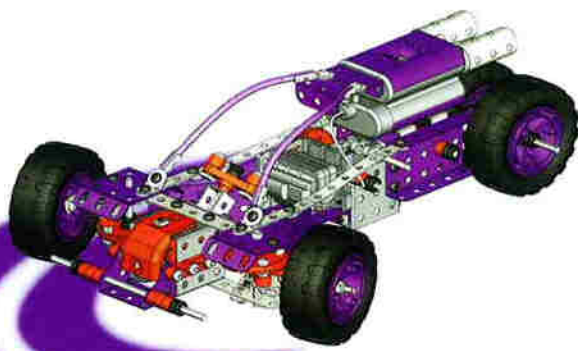
	x2		x1
	x1		x6
	x1		x2
	x1		x4



19

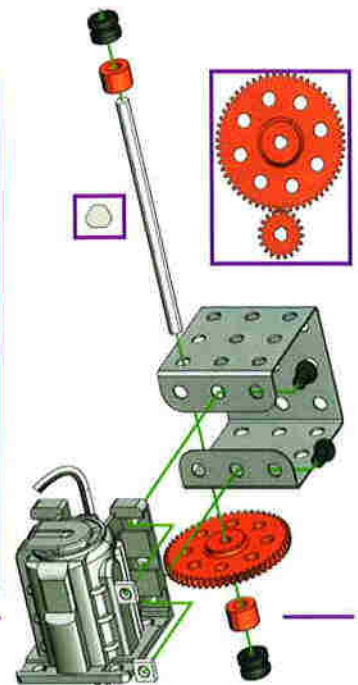
	120 mm	x2
	34 mm	x1
		x2
		x4
	5,8 mm	x2





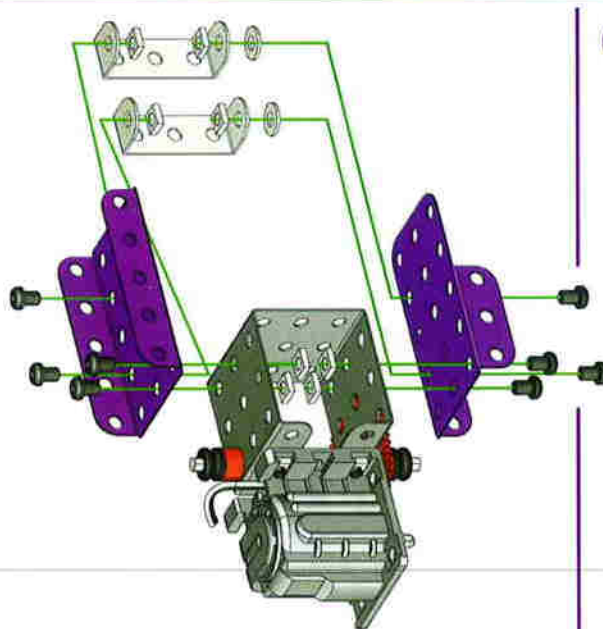
7

- Grey 3-hole Technic beam: x1
- Red gear: x1
- Red axle pin: x2
- Black axle pin: x2
- Grey Technic connector: x1
- Motor: x1
- Grey axle pin: x1
- Grey axle pin: x2
- Grey axle pin (75 mm): x1
- Red gear: x1
- Black axle pin (5.8 mm / 15/64"): x2



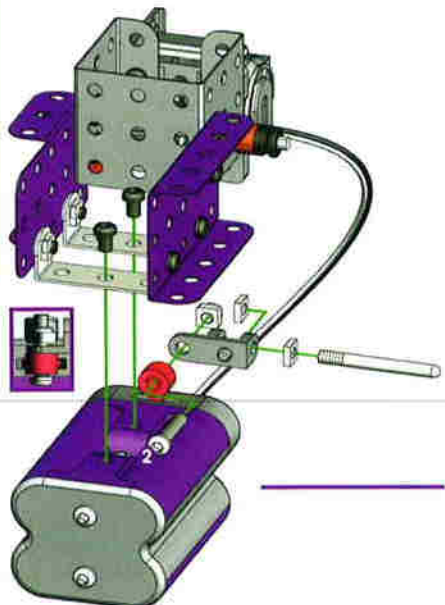
2

- Purple 3-hole Technic beam: x1
- Purple 3-hole Technic beam: x1
- Grey L-shaped Technic connector: x2
- Grey axle pin: x2
- Grey axle pin: x8
- Black axle pin (5.8 mm / 15/64"): x8



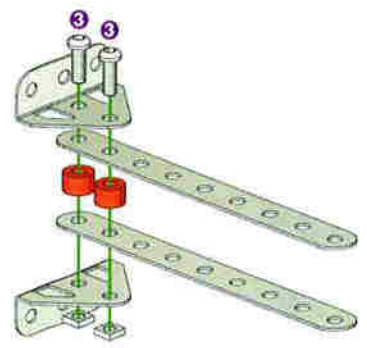
3

- Grey Technic connector: x1
- Grey axle pin: x1
- Grey axle pin: x2
- Grey axle pin (34 mm / 1 1/4"): x1
- Red gear (19 mm / 3/4"): x1
- Black axle pin (5.8 mm / 15/64"): x2



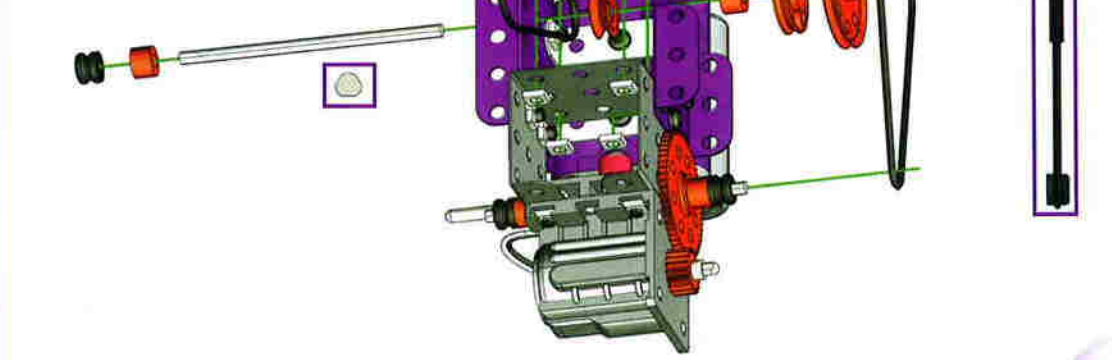
4

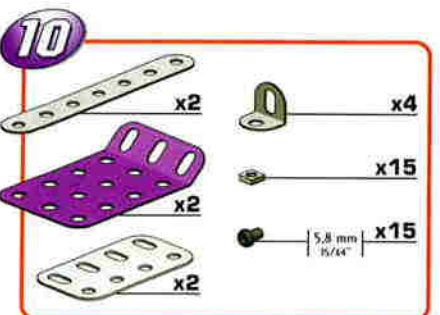
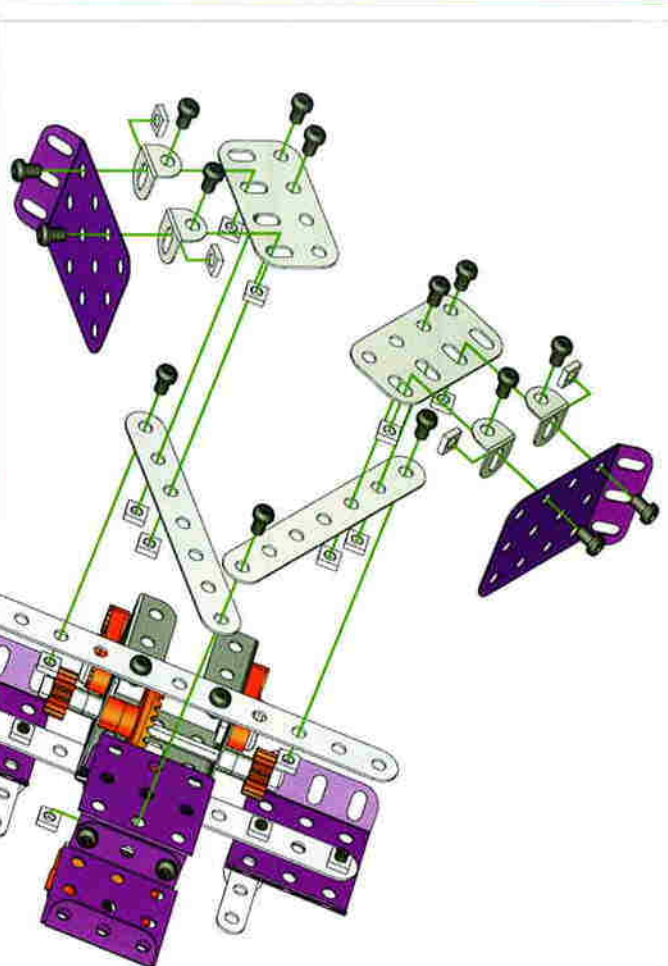
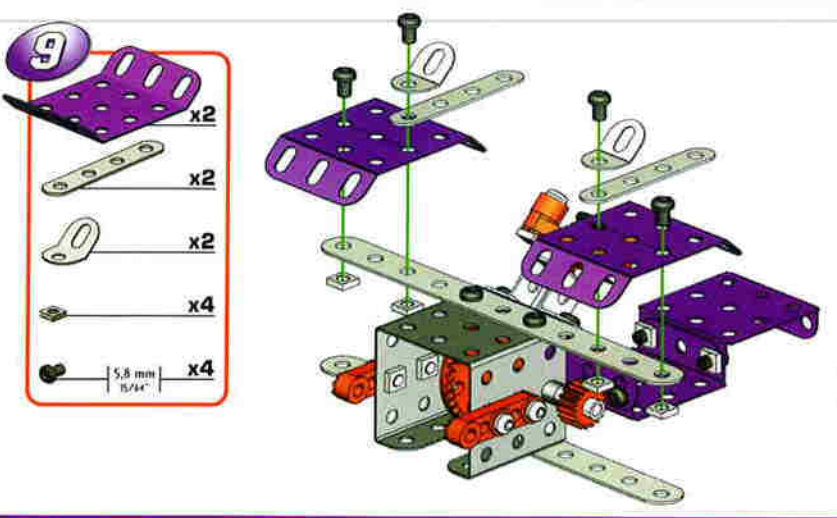
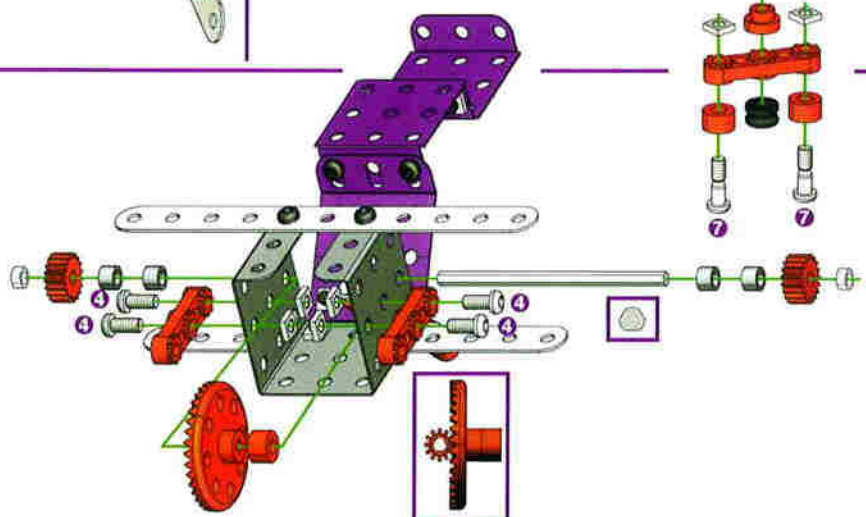
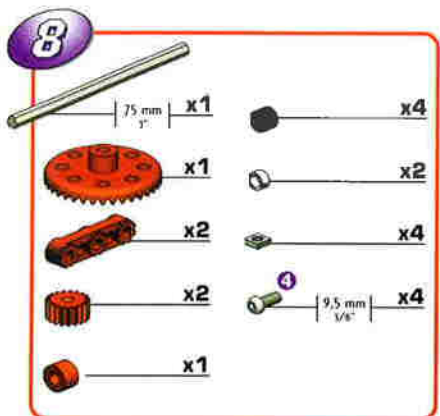
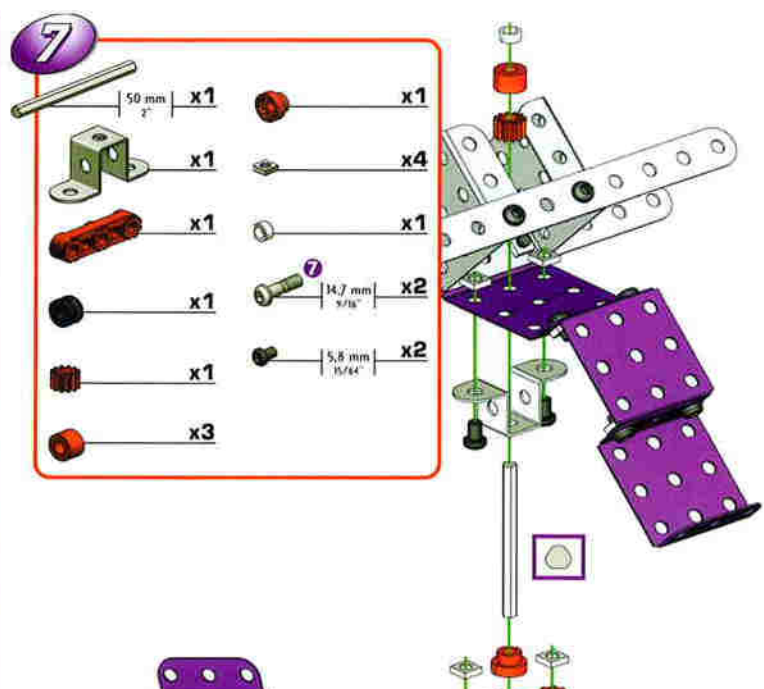
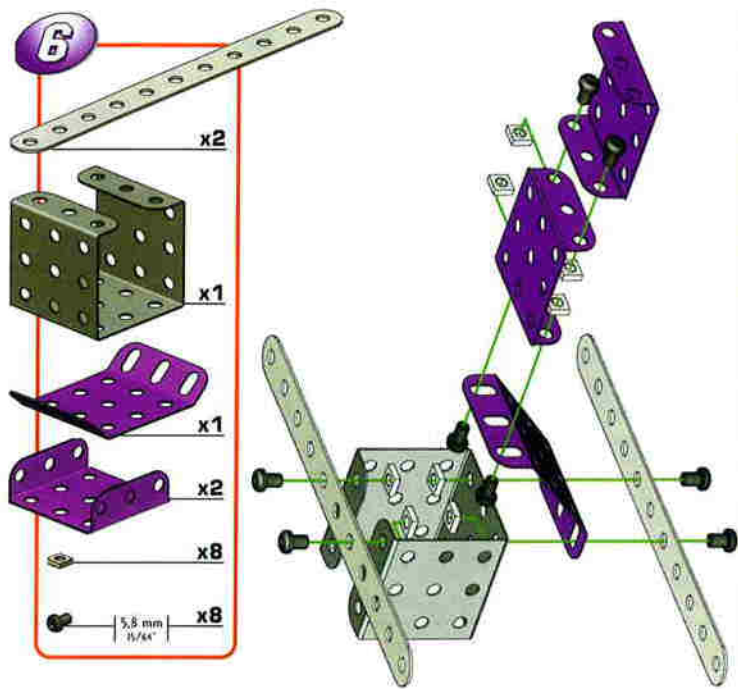
- Grey Technic beam (12 holes): x2
- Grey L-shaped Technic connector: x2
- Red axle pin: x2
- Grey axle pin: x2
- Grey axle pin (12 mm / 1/2"): x2














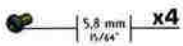
5

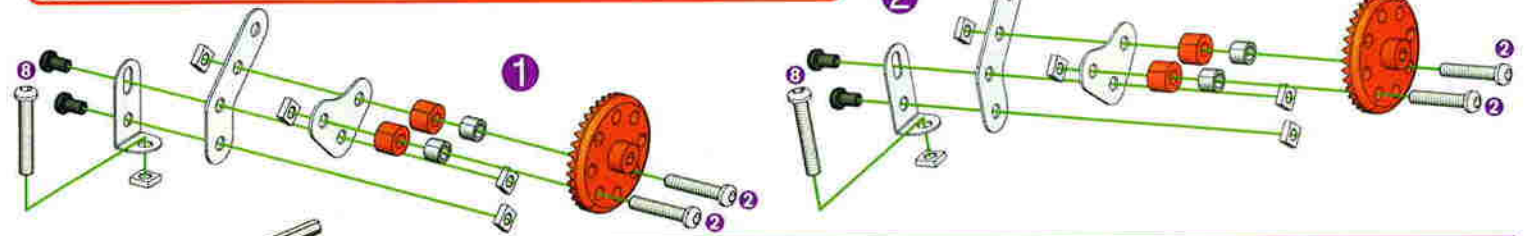
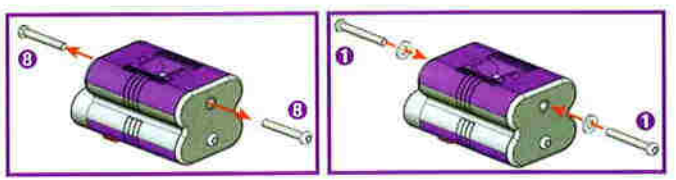
- Grey axle pin (75 mm): x1
- Black axle pin: x2
- Red rubber band (150 mm): x2
- Red gear: x1
- Grey axle pin: x4
- Red gear: x1
- Black axle pin (12 mm / 1/2"): x2
- Black axle pin (5.8 mm / 15/64"): x2
- Red gear: x1



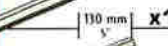



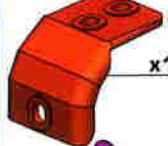








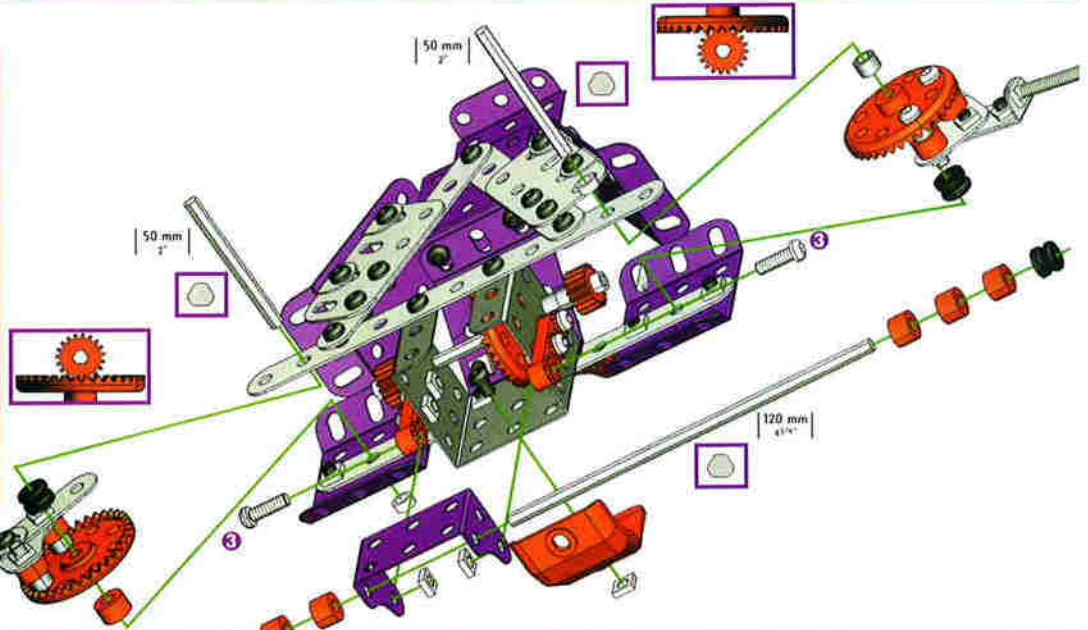
11

-  x2
-  x2
-  x4
-  x2
-  x2
-  x4
-  x10
-  x4
-  x2
-  x2
-  x2
-  x4





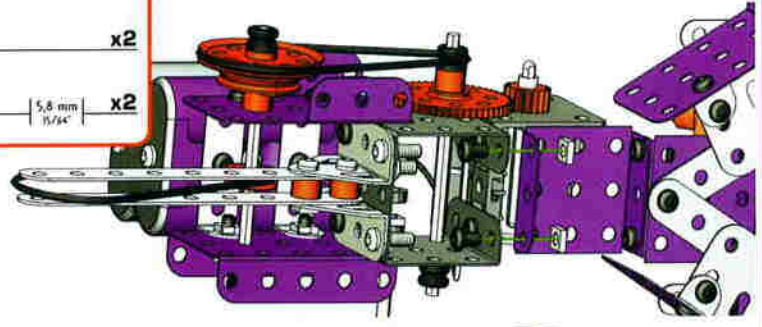
12

-  x1
-  x7
-  x2
-  x1
-  x1
-  x2
-  x3
-  x2
-  x1
-  x1
-  x4






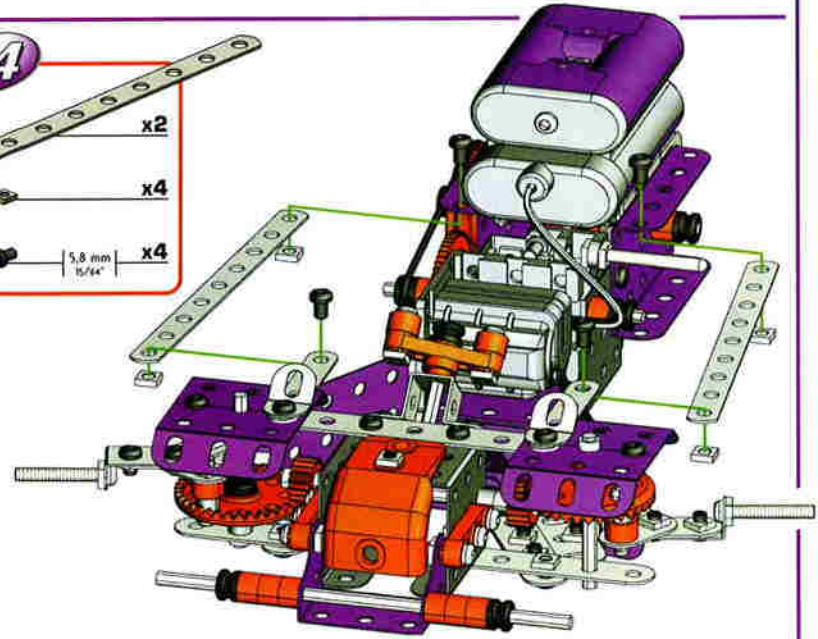
13

-  x2
-  x2





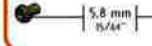


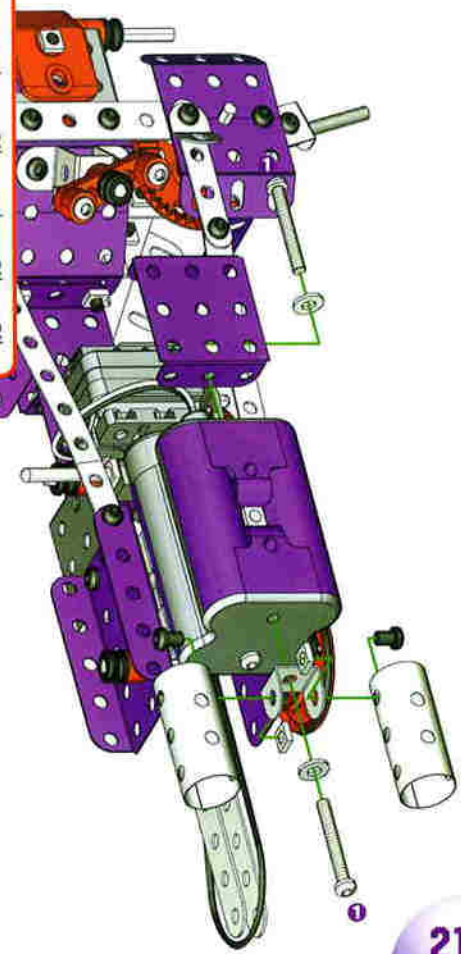
14

-  x2
-  x4
-  x4



15

-  x1
-  x2
-  x1
-  x2
-  x2

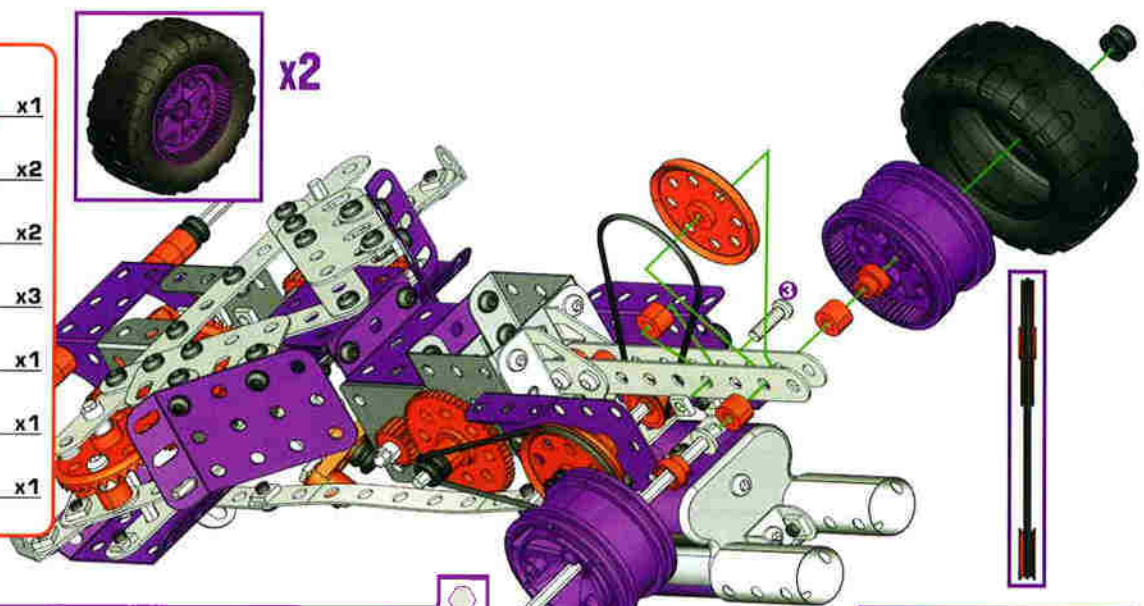


16

- 100 mm x1
- x1
- x2
- x2
- x2
- x3
- x1
- x1
- x2
- 12mm 1/8" x1

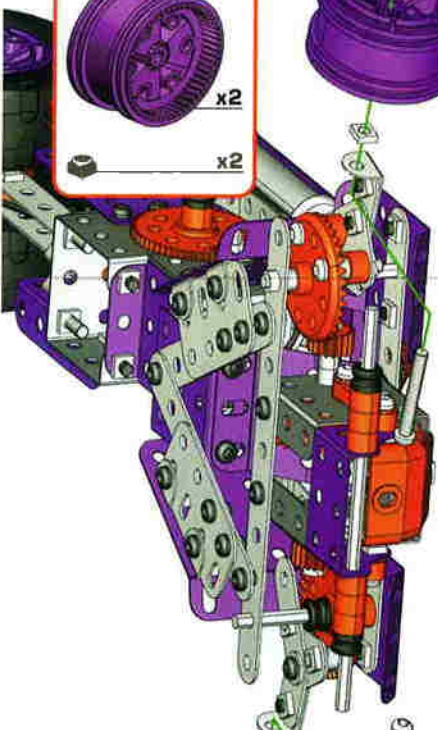


x2



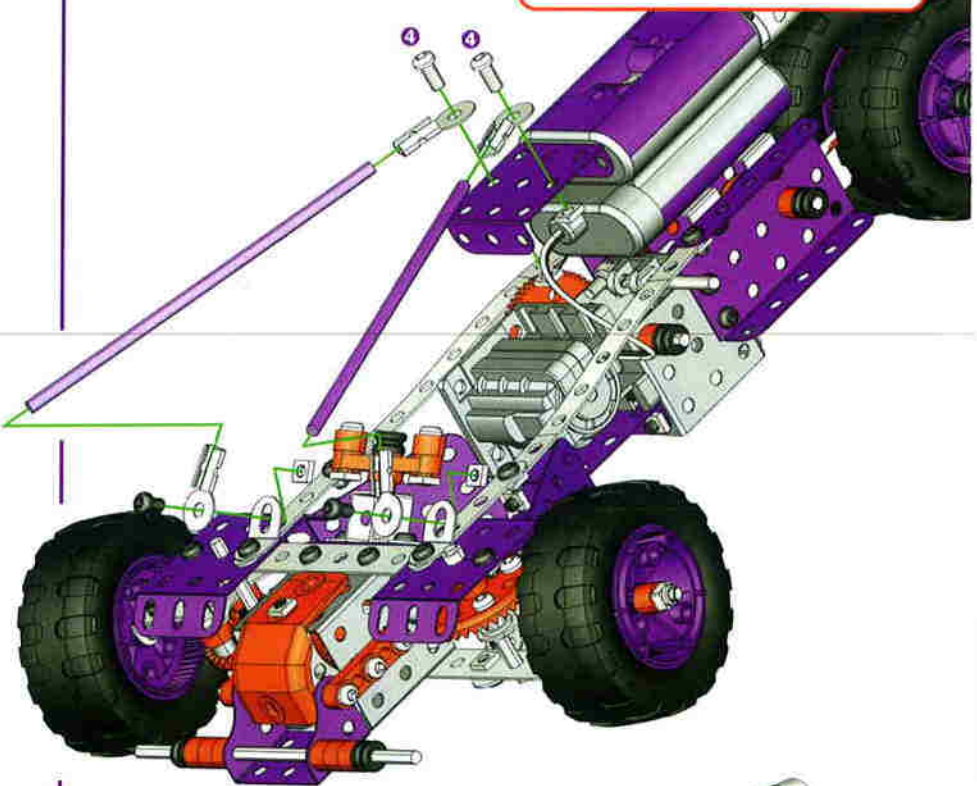
17

- x2
- x2
- x2

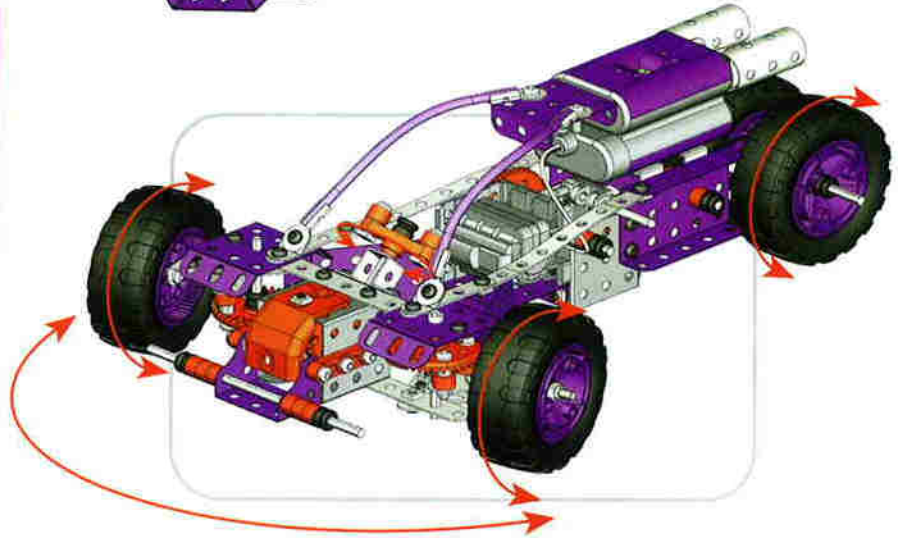


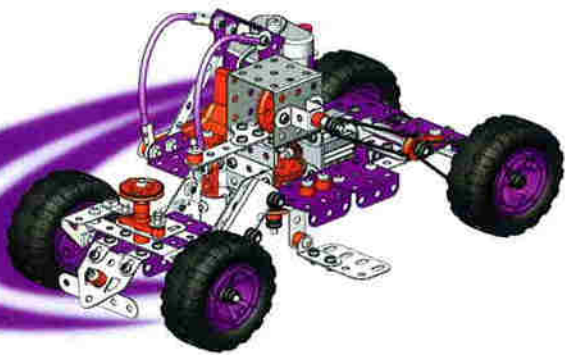
18

- 120 mm 4/16" x2
- 9.5 mm 3/8" x2
- x4
- 5.8 mm 1/4" x2
- x4



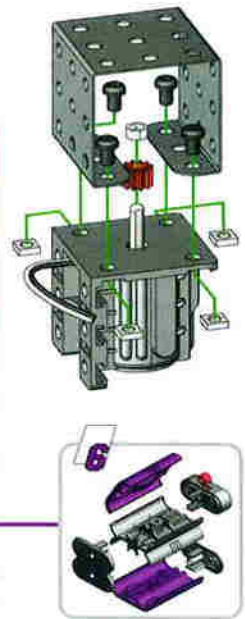
x2





1

- 1 x1
- 1 x1
- 4 x4
- 1 x1
- 4 x4 (5,8 mm 15/64")



2

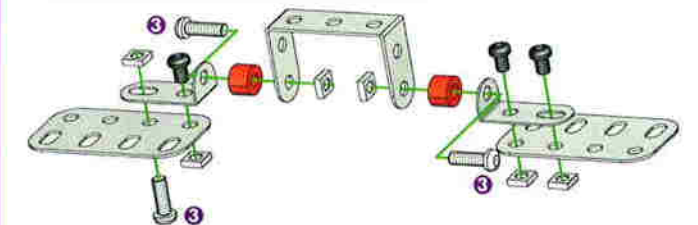
- 1 x1
- 1 x1
- 7 x7
- 1 x1 (12mm 1/2")
- 6 x6 (5,8 mm 15/64")
- 1 x1

4

- 2 x2
- 1 x1
- 2 x2
- 2 x2
- 6 x6
- 3 x3 (12mm 1/2")
- 3 x3 (5,8 mm 15/64")
- 2 x2

3

- 1 x1 (50 mm 2")
- 1 x1
- 1 x1
- 1 x1
- 1 x1
- 3 x3
- 1 x1
- 1 x1
- 1 x1
- 2 x2
- 2 x2 (5,8 mm 15/64")

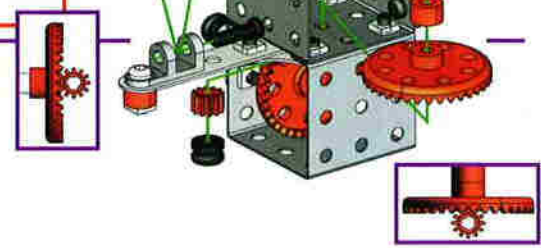


5

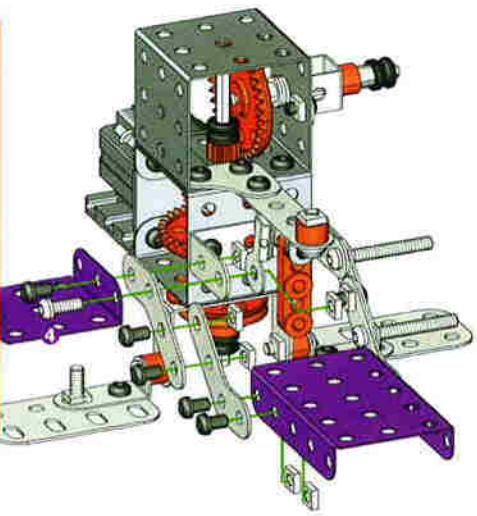
- 1 x1 (100 mm)
- 1 x1
- 2 x2
- 1 x1
- 1 x1
- 2 x2
- 2 x2
- 1 x1

6

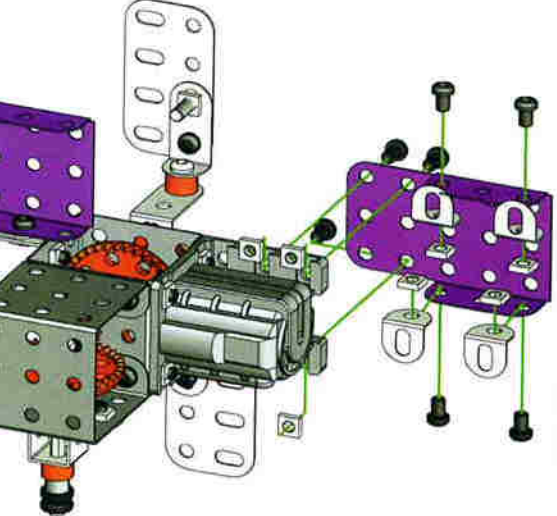
- 1 x1
- 2 x2
- 1 x1
- 8 x8
- 2 x2 (28 mm 1")
- 6 x6 (5,8 mm 15/64")



- 7**
- x1 [Purple L-shaped Technic beam]
 - x2 [Purple Technic beam]
 - x1 [Grey Technic pin]
 - x6 [Grey Technic pins]
 - x1 [Grey screw, 9.5 mm / 3/8"]
 - x5 [Grey screw, 5.8 mm / 5/64"]



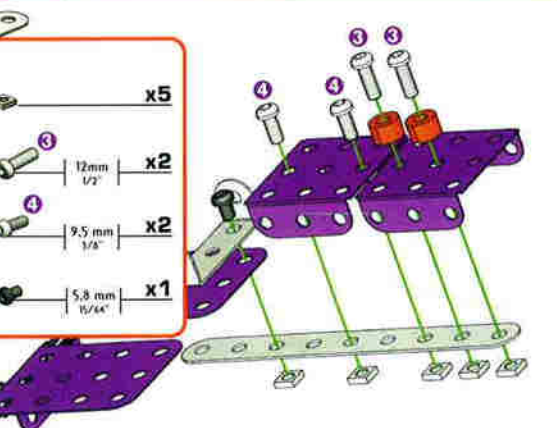
- 8**
- x1 [Purple L-shaped Technic beam]
 - x4 [Grey Technic pins]
 - x7 [Grey Technic pins]
 - x7 [Grey screw, 5.8 mm / 5/64"]



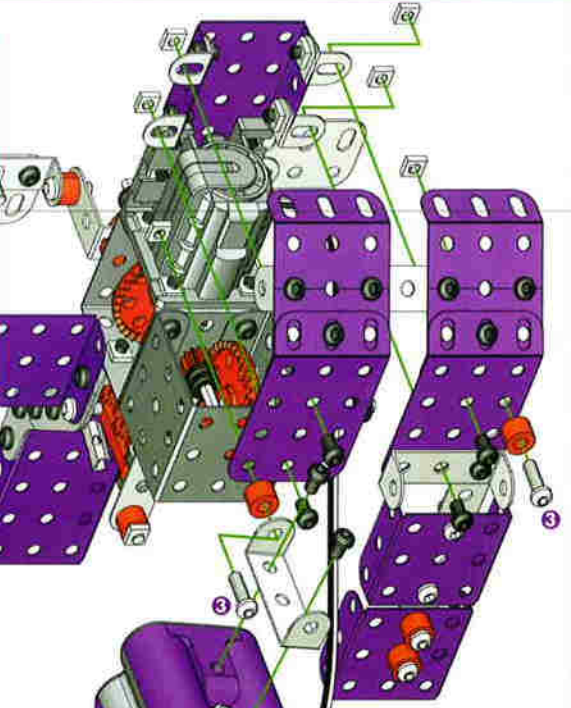
- 9**
- x1 [Grey Technic beam]
 - x2 [Purple Technic beam]
 - x2 [Purple Technic beam]
 - x6 [Grey Technic pins]
 - x6 [Grey screw, 5.8 mm / 5/64"]



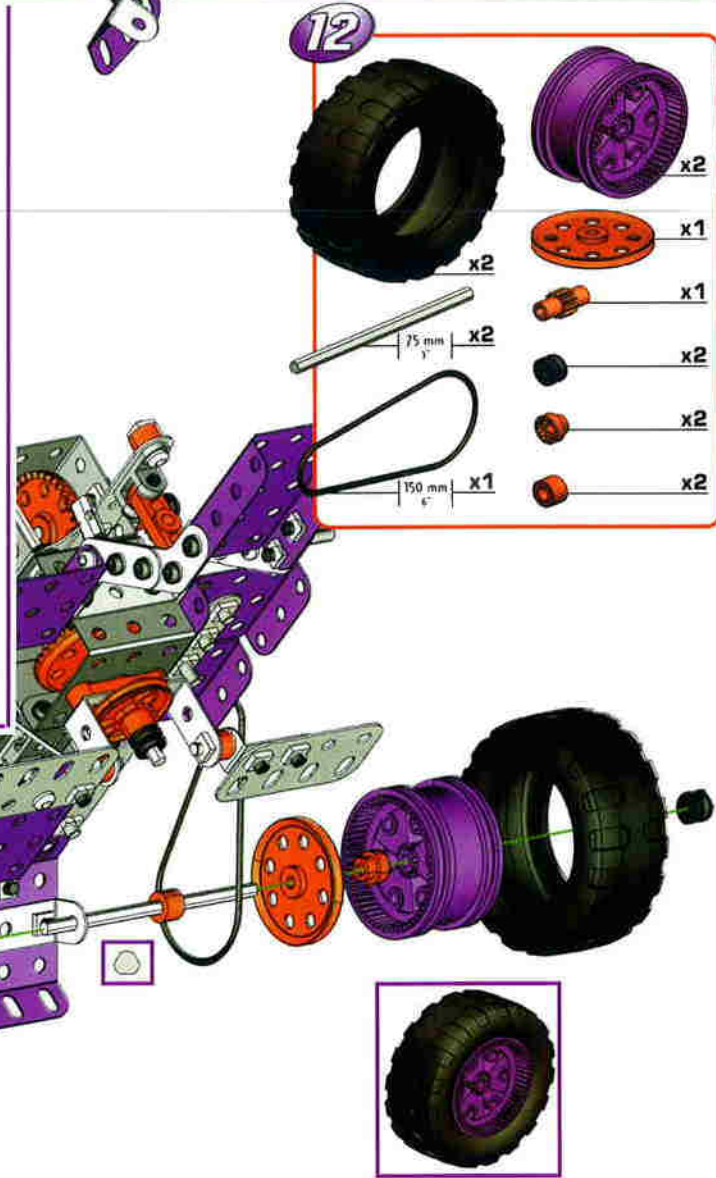
- 10**
- x1 [Grey Technic beam]
 - x2 [Purple L-shaped Technic beam]
 - x1 [Grey L-shaped Technic beam]
 - x2 [Grey screw, 12 mm / 1/2"]
 - x2 [Grey screw, 9.5 mm / 3/8"]
 - x1 [Grey screw, 5.8 mm / 5/64"]
 - x5 [Grey Technic pins]
 - x2 [Grey screw, 12 mm / 1/2"]
 - x2 [Grey screw, 9.5 mm / 3/8"]
 - x1 [Grey screw, 5.8 mm / 5/64"]



- 11**
- x1 [Grey L-shaped Technic beam]
 - x2 [Grey Technic pins]
 - x6 [Grey Technic pins]
 - x2 [Grey screw, 12 mm / 1/2"]
 - x6 [Grey screw, 5.8 mm / 5/64"]

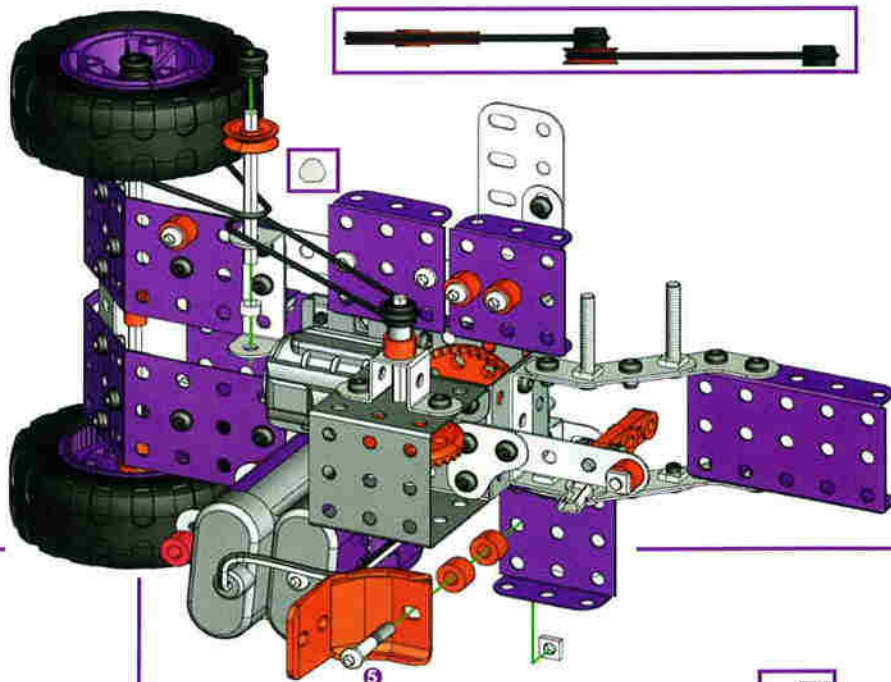


- 12**
- x2 [Black tires]
 - x2 [Purple wheels]
 - x1 [Orange pulley]
 - x1 [Grey screw]
 - x2 [Grey Technic pins]
 - x2 [Grey Technic pins]
 - x2 [Grey Technic pins]
 - x1 [Grey screw, 75 mm / 3"]
 - x1 [Grey screw, 150 mm / 6"]



13

	x1
	x1
	x1
	x1
	x1
	x2
	x1
	x1
	x1
	x1
	x1

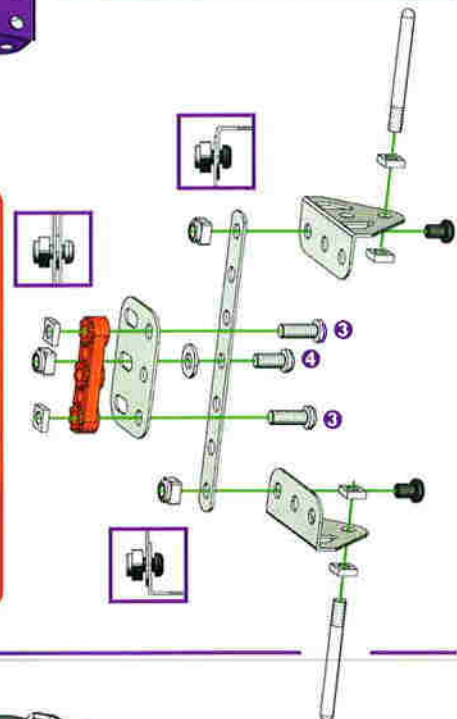


14

	x1		x1
	x2		x4
	x2		x1
	x2		x4

15

	x1		x3
	x1		x6
	x2		x2
	x1		x1
	x2		x2
	x1		



16

	x1		x2
	x1		x1
	x1		x1
	x1		x1
	x1		x1


17

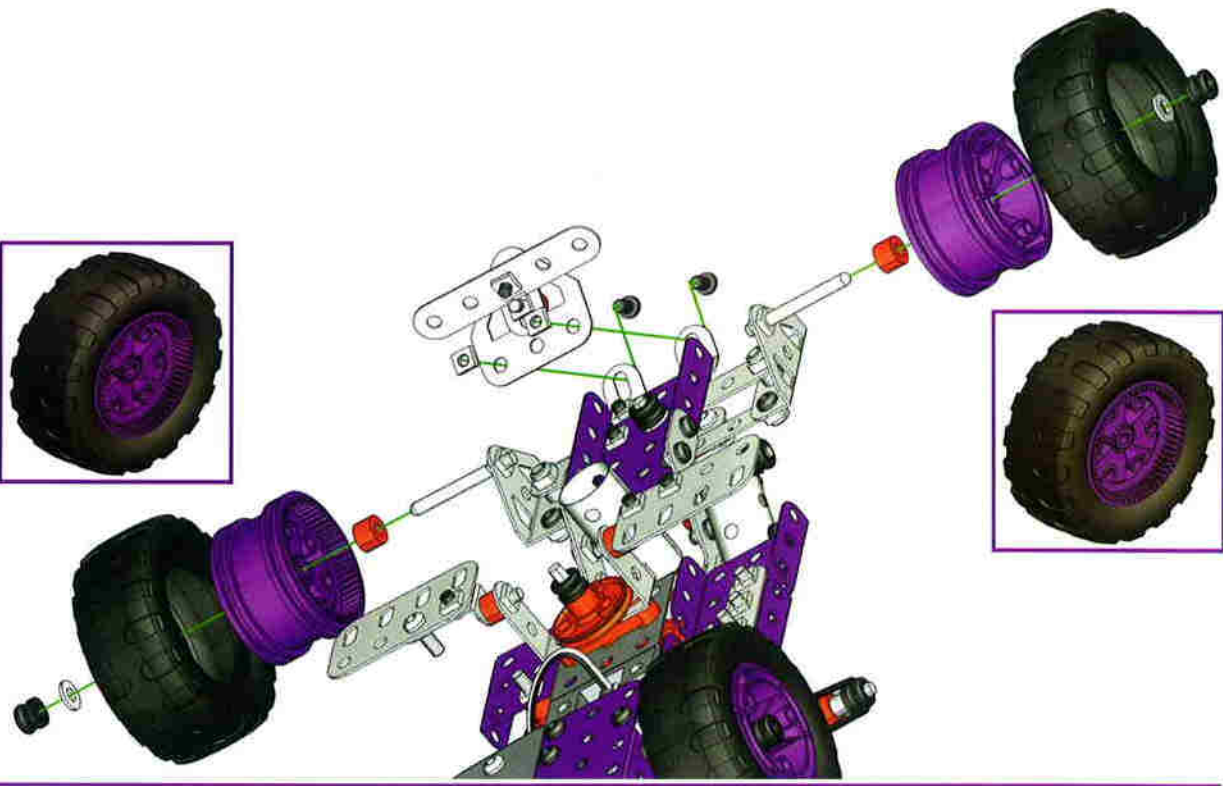
	x2
	x2
	x2

18

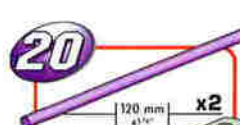

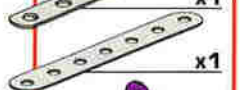






	x1		x2
	x1		x1
	x1		x1
	x1		

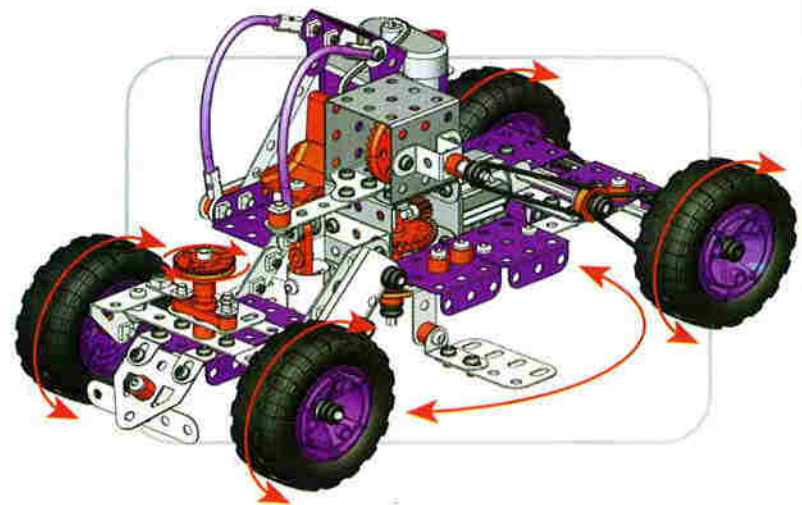
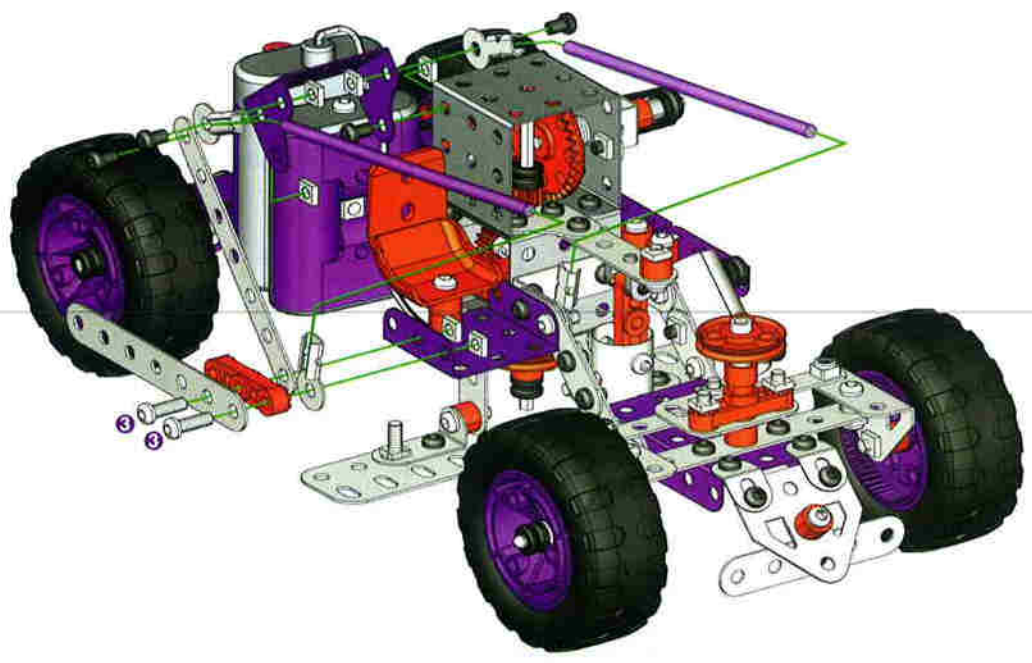
19

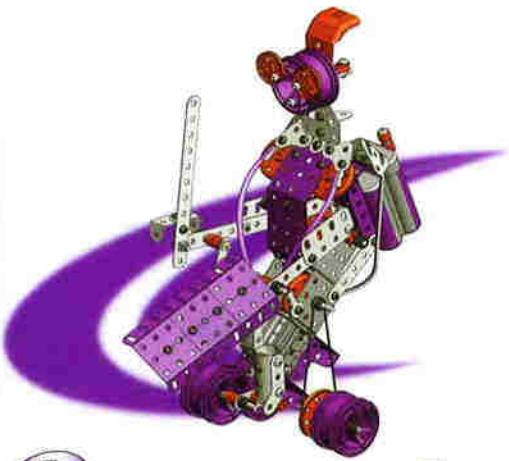
-  x2
-  x2
-  x2
-  x2
-  x2
-  x2
-  x2
-  x2



20

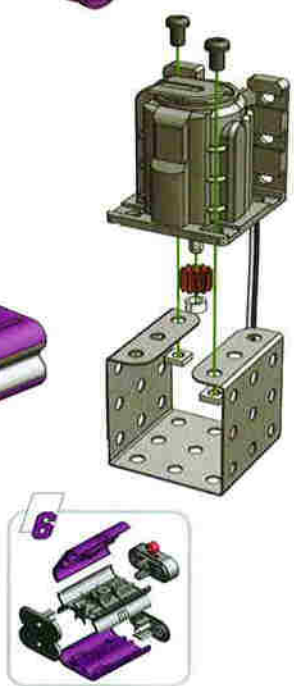
-  120 mm 4 3/4\" data-bbox="25 405 175 425"/> x2
-  x1
-  x1
-  x1
-  x1
-  x3
-  x6
-  x2
-  x4





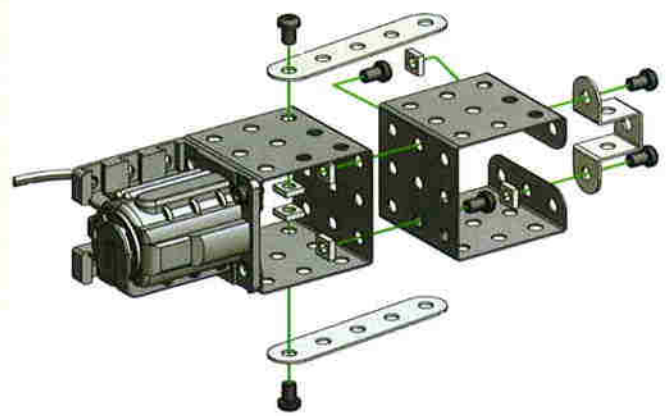
1

- x1 [Grey L-shaped Technic beam]
- x1 [Motor]
- x1 [Purple battery pack]
- x1 [Red axle with bush]
- x1 [Grey axle with bush]
- x2 [Grey axle with bush]
- x2 [5.8 mm / 1/4" axle]



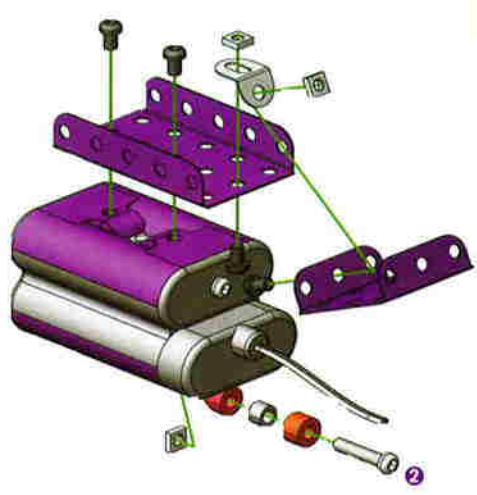
2

- x1 [Grey L-shaped Technic beam]
- x2 [Grey Technic beam]
- x1 [Grey L-shaped Technic beam]
- x6 [Grey axle with bush]
- x6 [5.8 mm / 1/4" axle]



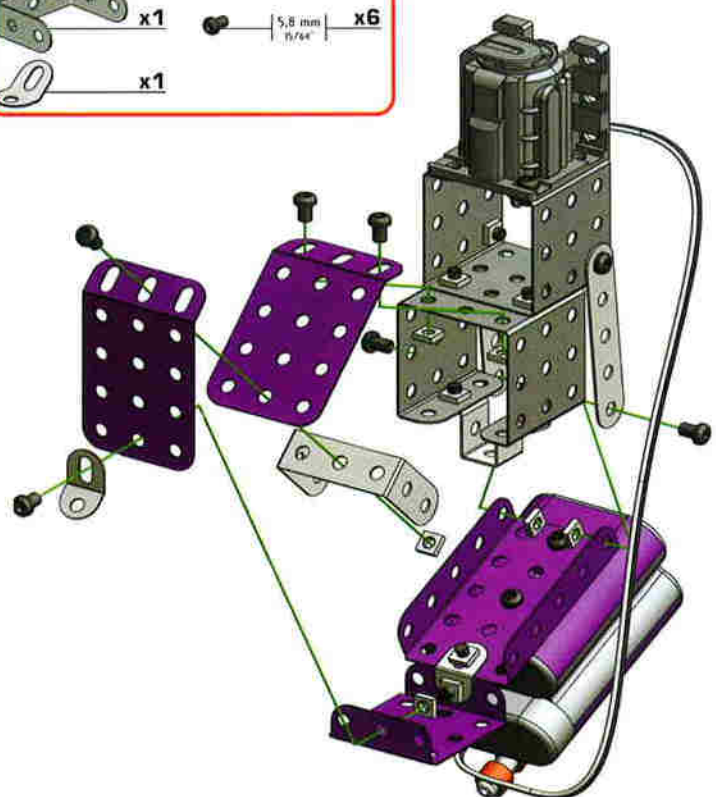
3

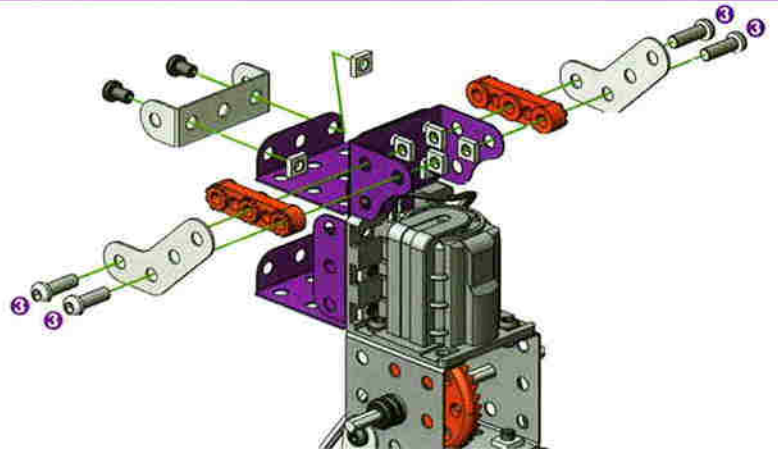
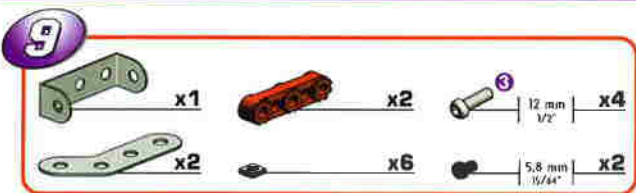
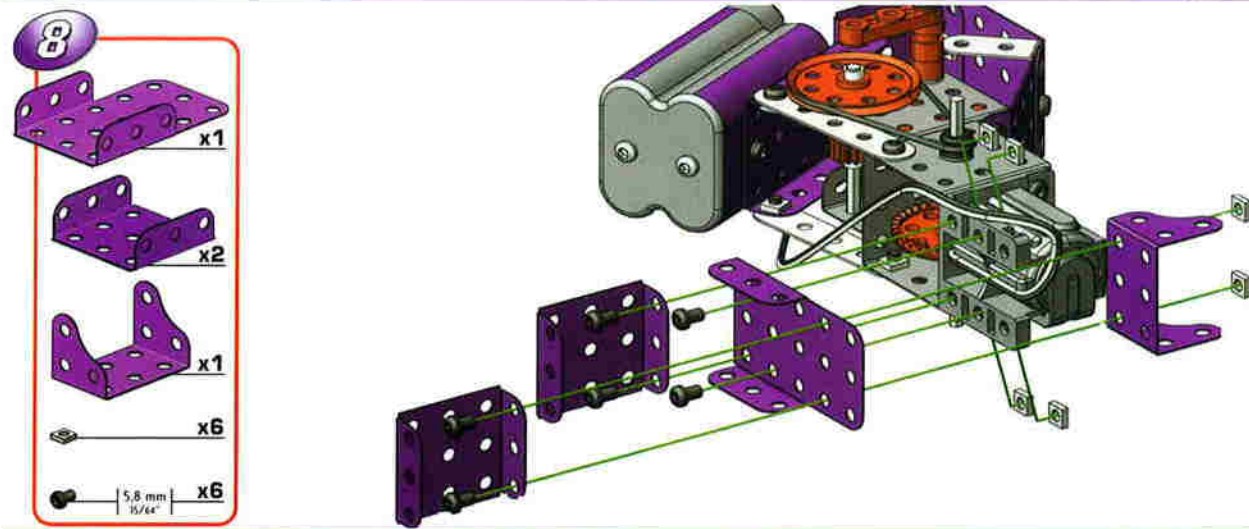
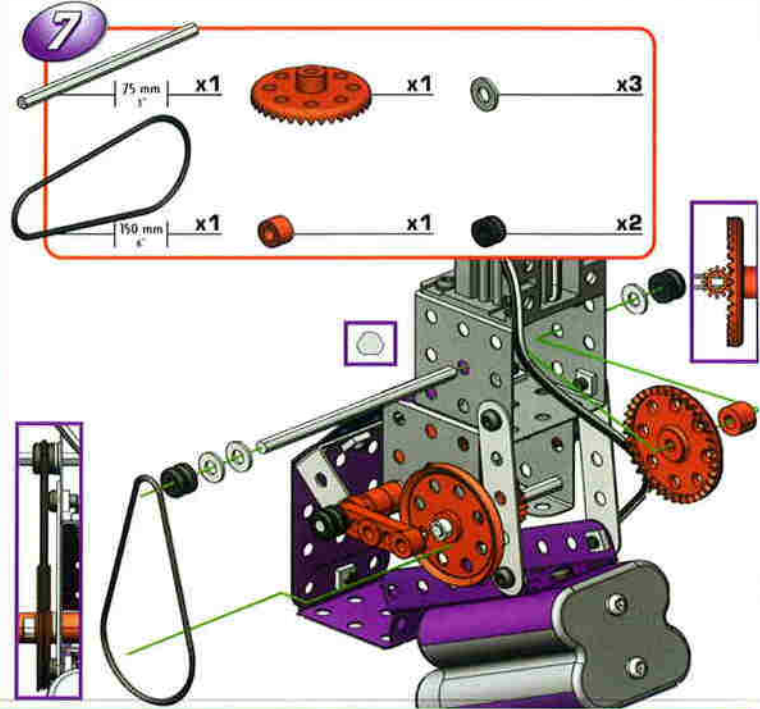
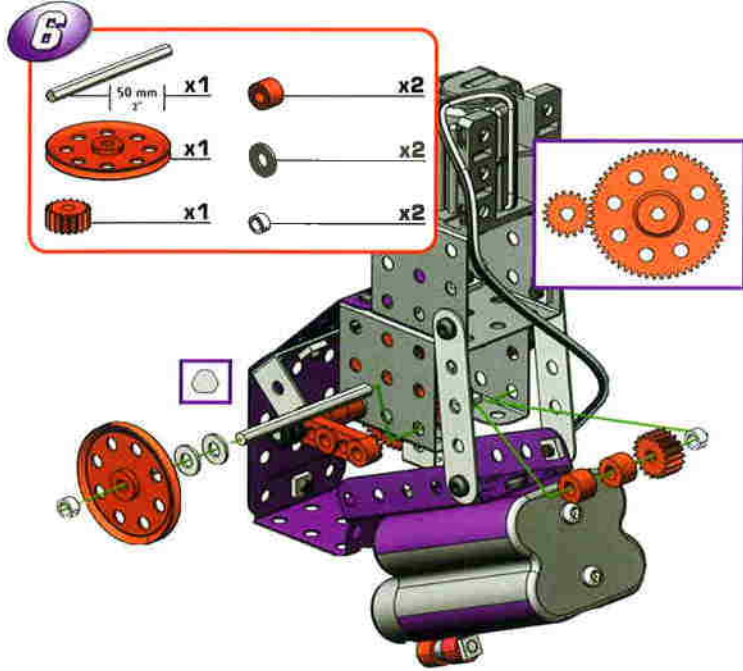
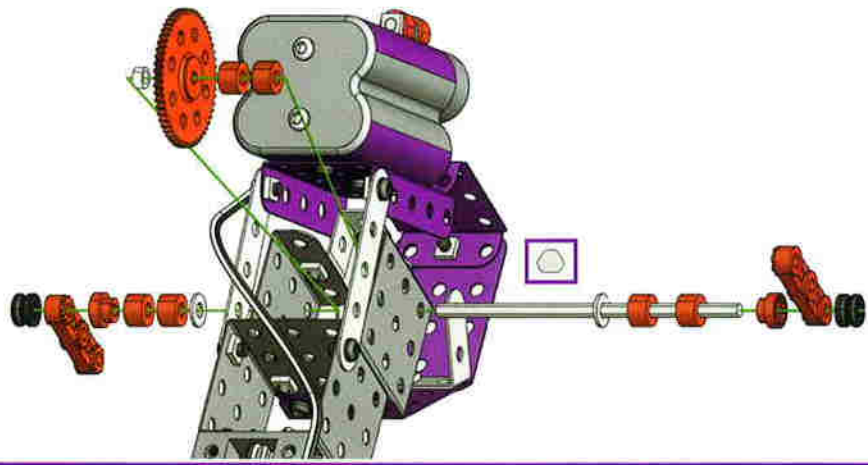
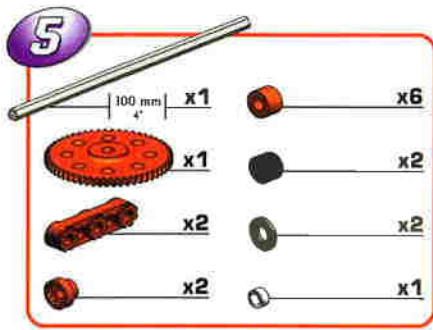
- x1 [Purple Technic beam]
- x1 [Purple L-shaped Technic beam]
- x1 [White Technic beam]
- x1 [Red axle with bush]
- x1 [Grey axle with bush]
- x3 [Grey axle with bush]
- x1 [19mm / 3/4" axle]
- x4 [5.8 mm / 1/4" axle]



4

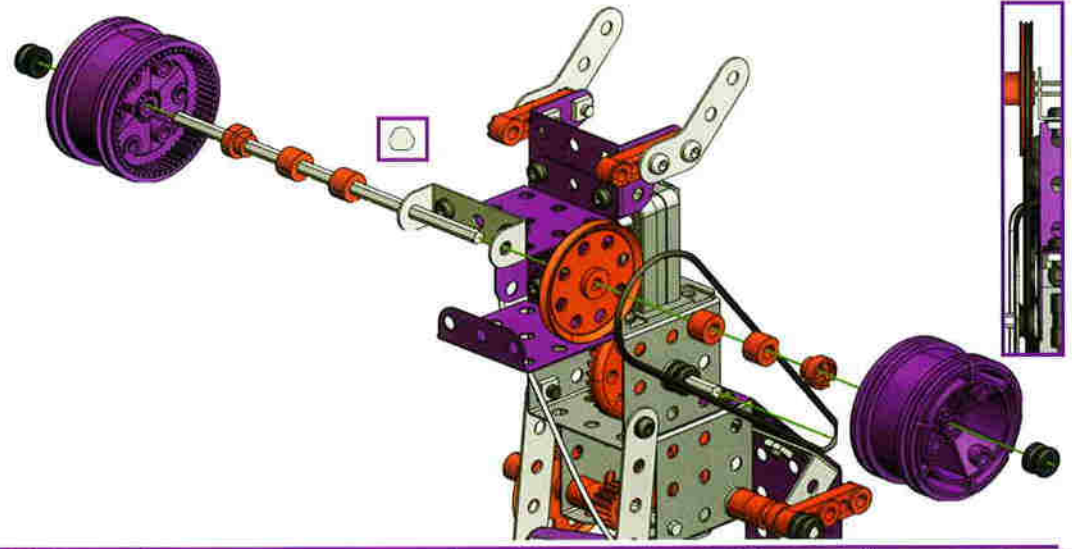
- x2 [Purple Technic beam]
- x1 [Grey Technic beam]
- x1 [White Technic beam]
- x6 [Grey axle with bush]
- x6 [5.8 mm / 1/4" axle]





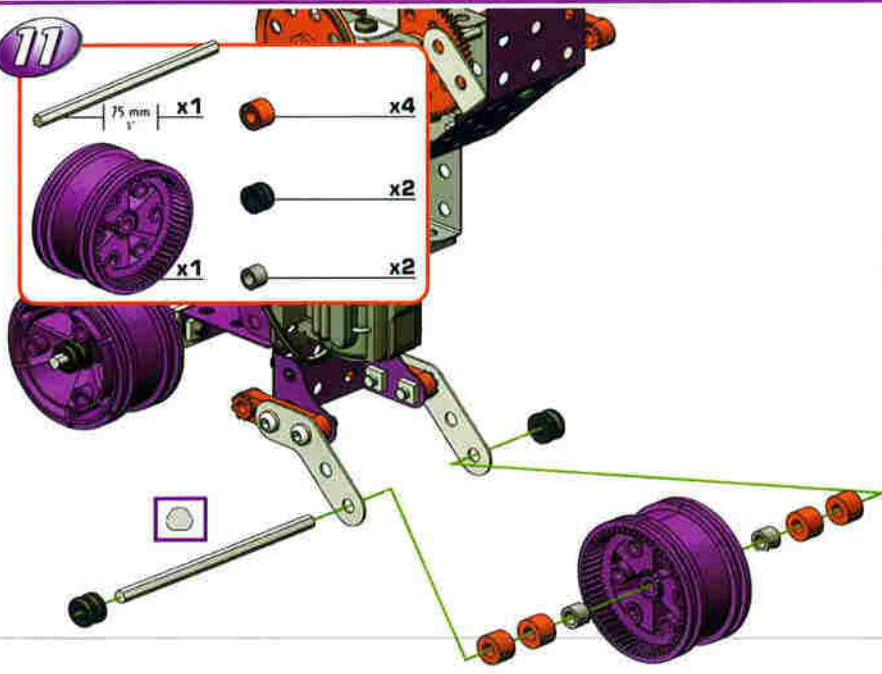
10

- 130 mm x1
- 150 mm x1
- x1
- x2
- x4
- x2



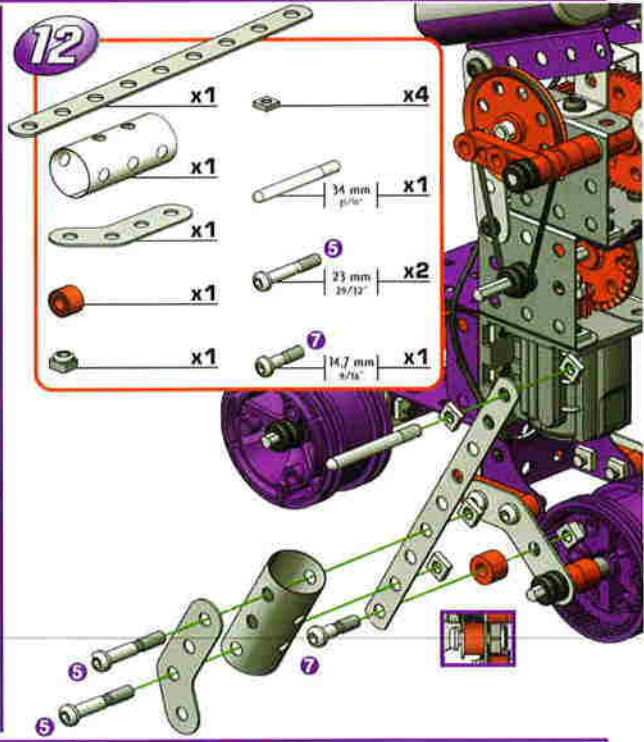
11

- 75 mm x1
- x4
- x1
- x2
- x2



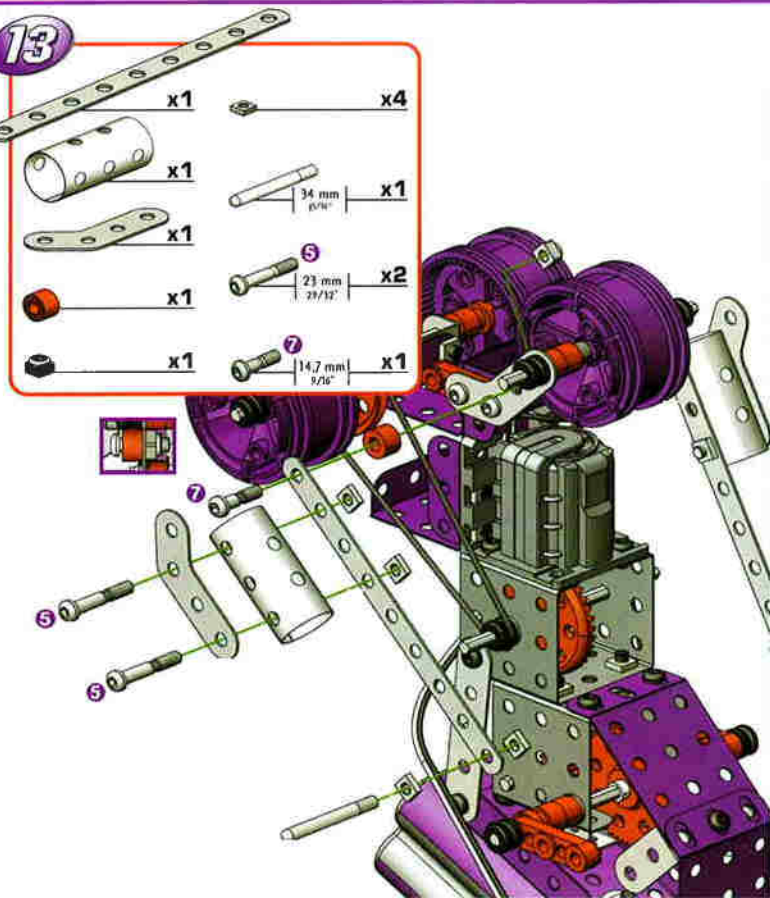
12

- x1
- x1
- x1
- x1
- x4
- 34 mm 6/16" x1
- 23 mm 29/32" x2
- 14.7 mm 5/16" x1



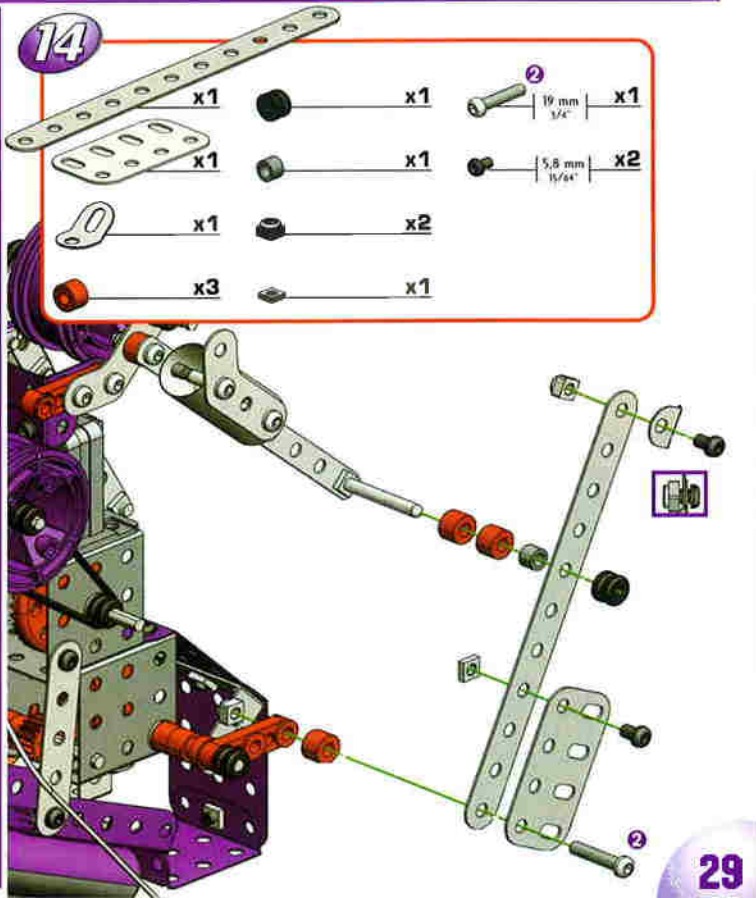
13

- x1
- x1
- x1
- x1
- x1
- x4
- 34 mm 6/16" x1
- 23 mm 29/32" x2
- 14.7 mm 5/16" x1

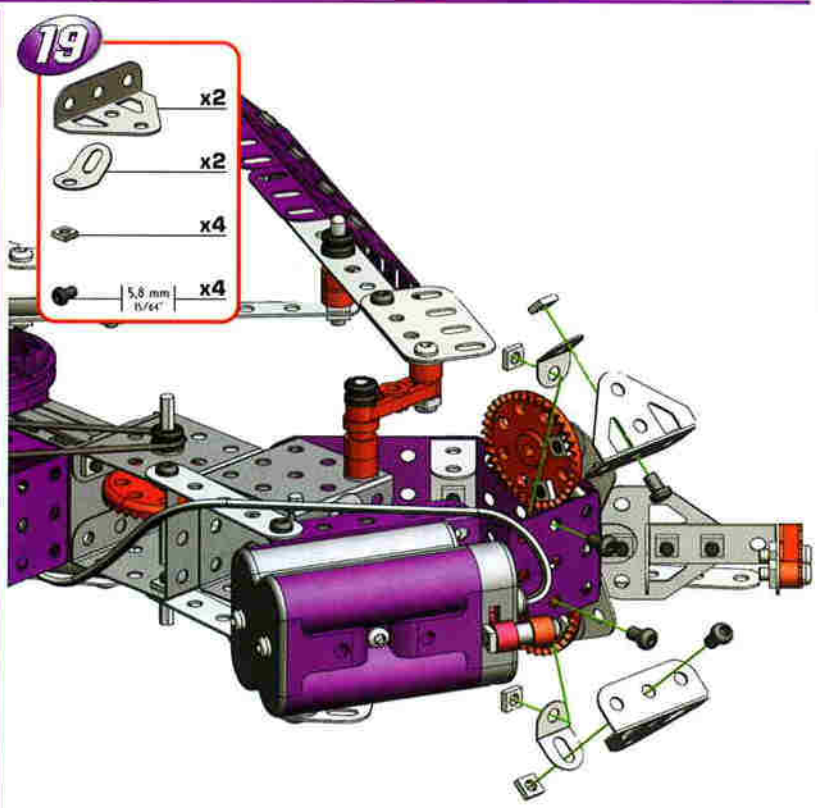
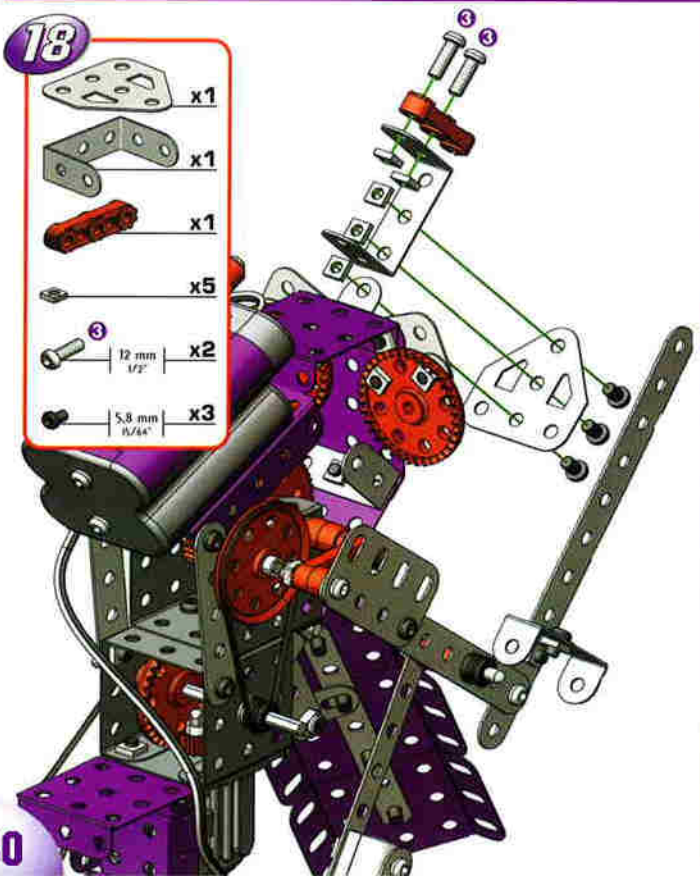
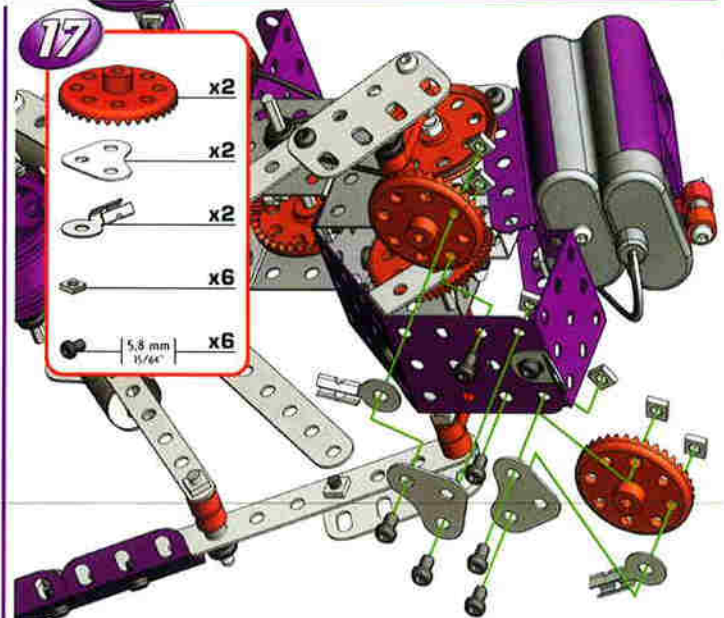
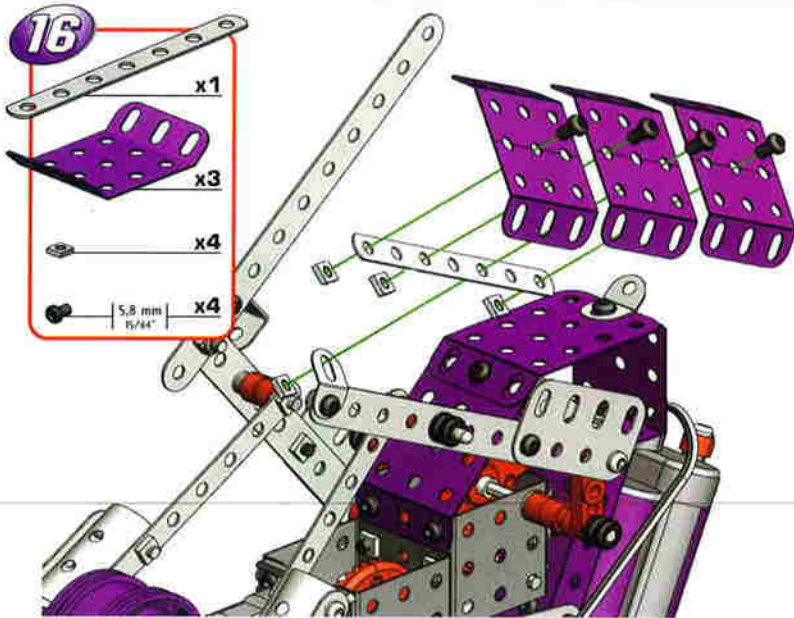
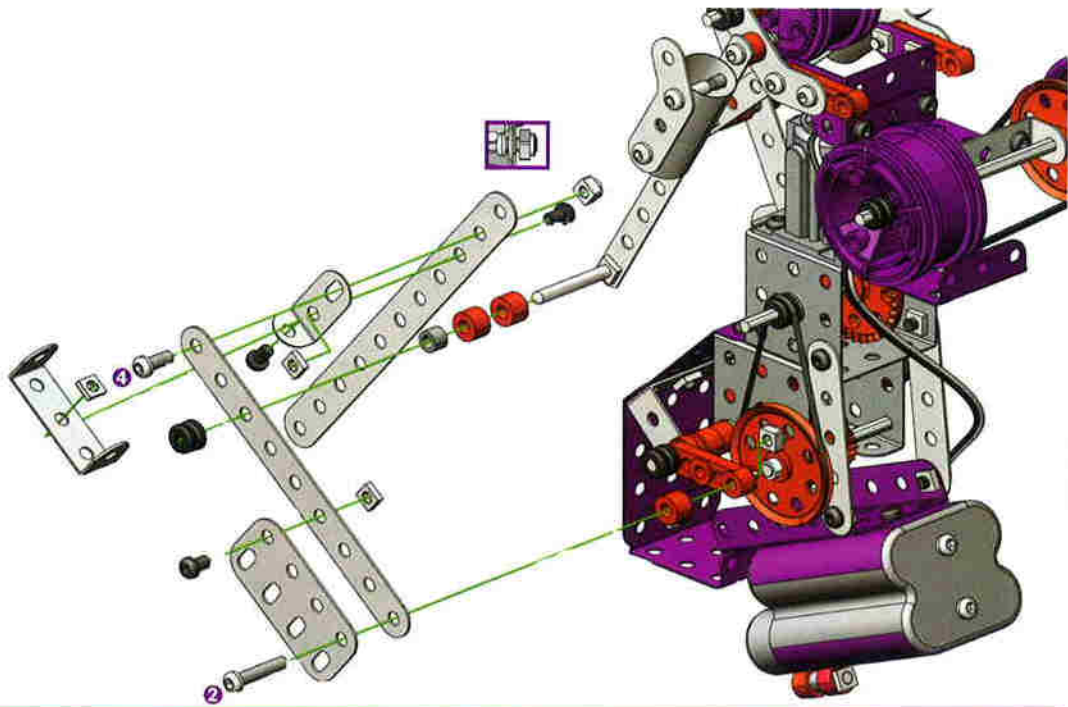


14

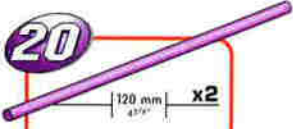





- x1
- x1
- x1
- x3
- x1
- x1
- x2
- 19 mm 3/4" x1
- 5.8 mm 5/64" x2

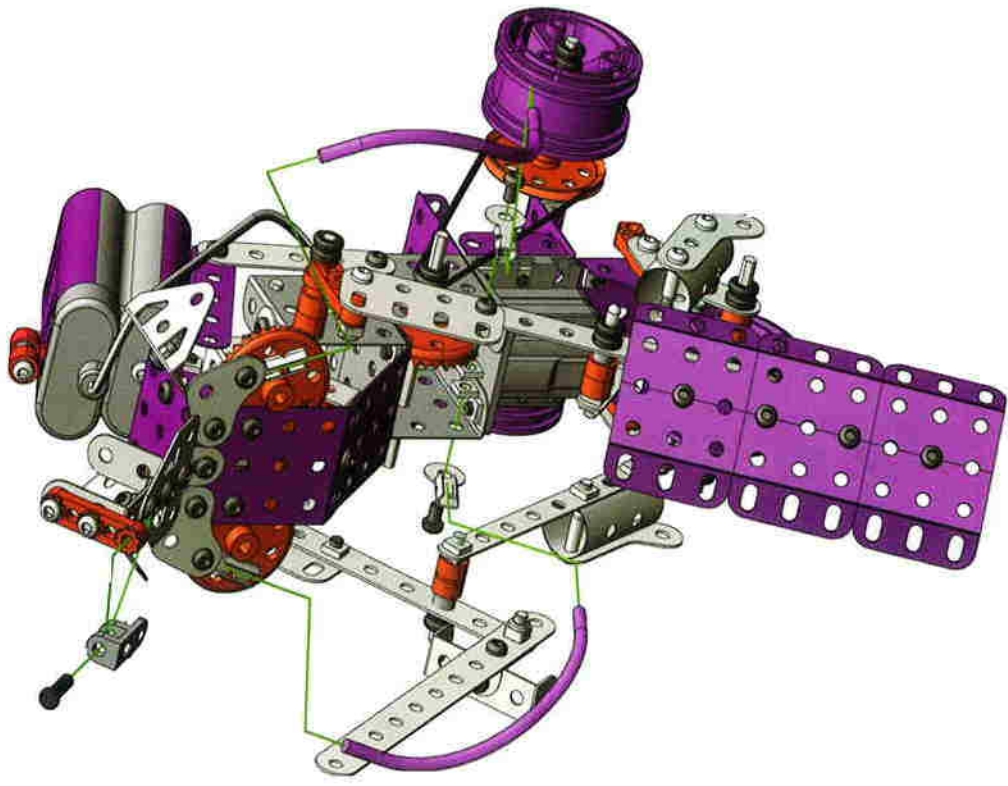


- 15**
- x1
 - x1
 - x1
 - x1
 - x1
 - x3
 - x1
 - x1
 - x2
 - x3
 - x1
 - x1
 - x3



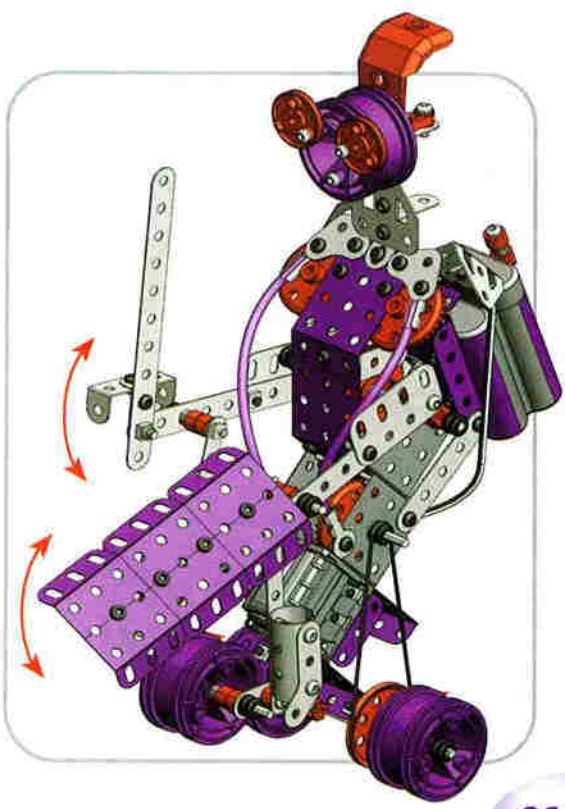
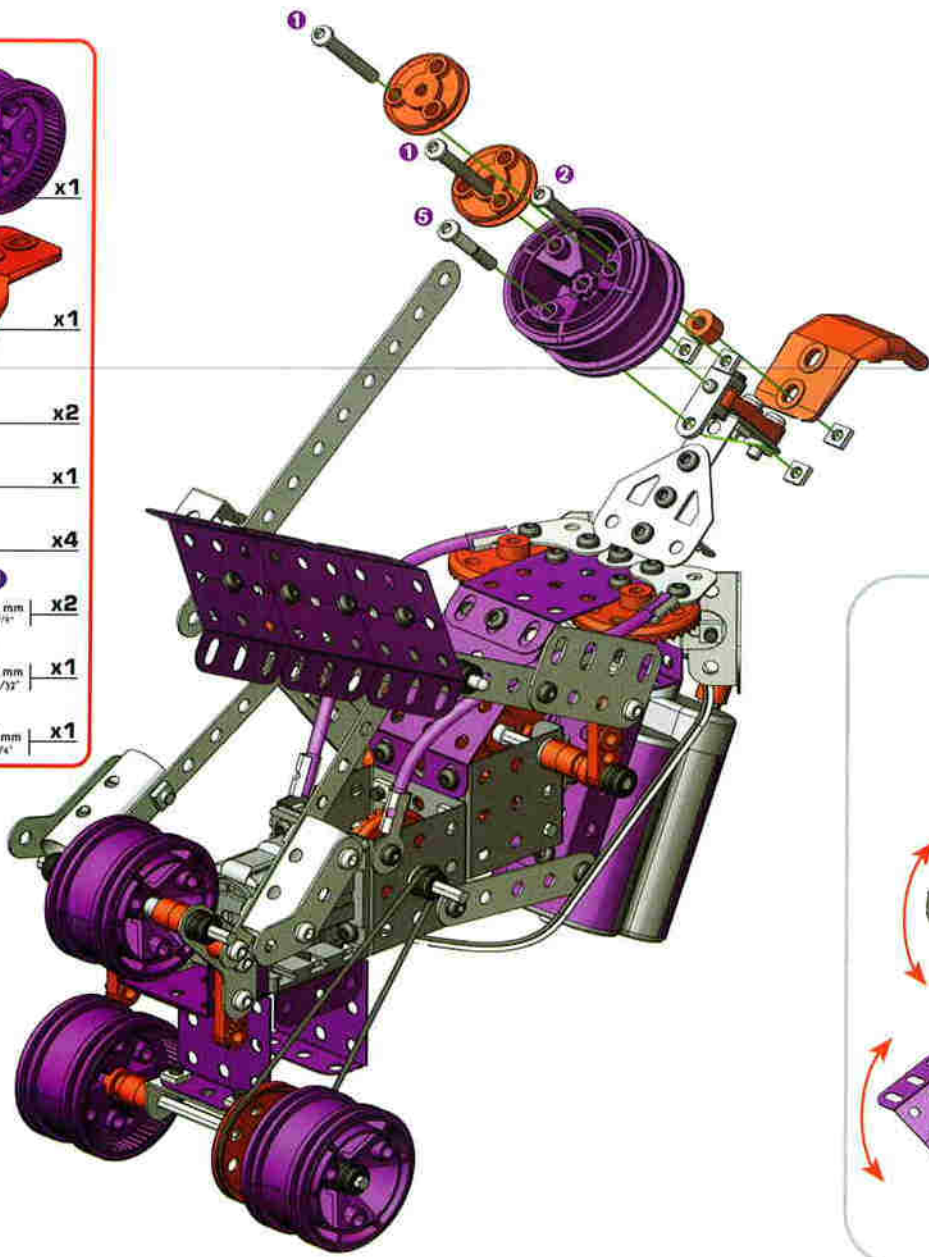
20

-  120 mm
4 3/4" x2
-  x2
-  x1
-  x1
-  x2
-  5.8 mm
1/4" x2



21

-  x1
-  x1
-  x2
-  x1
-  x4
-  28 mm
1 1/4" x2
-  23 mm
7/8" x1
-  19 mm
3/4" x1



31



7

- 1x1 Technic Beam (grey) x1
- 1x1 Technic Beam (grey) x1
- 1x1 Technic Motor (grey) x1
- 1x1 Battery (purple) x1
- 1x1 Red Gear (8 teeth) x1
- 1x1 Grey Axle (5.8 mm) x1
- 1x2 Grey Axle (5.8 mm) x2
- 1x2 Grey Axle (5.8 mm) x2

2

- 1x1 Technic Beam (grey) x1
- 1x1 Grey Technic Plate (1x3) x1
- 1x1 Grey Technic Plate (1x3) x1
- 1x2 Grey Axle (5.8 mm) x2
- 1x2 Grey Axle (5.8 mm) x2
- 1x4 Grey Axle (5.8 mm) x4

3

- 1x2 Grey Technic Plate (1x3) x2
- 1x2 Grey Technic Plate (1x3) x2
- 1x6 Grey Axle (5.8 mm) x6
- 1x6 Grey Axle (5.8 mm) x6

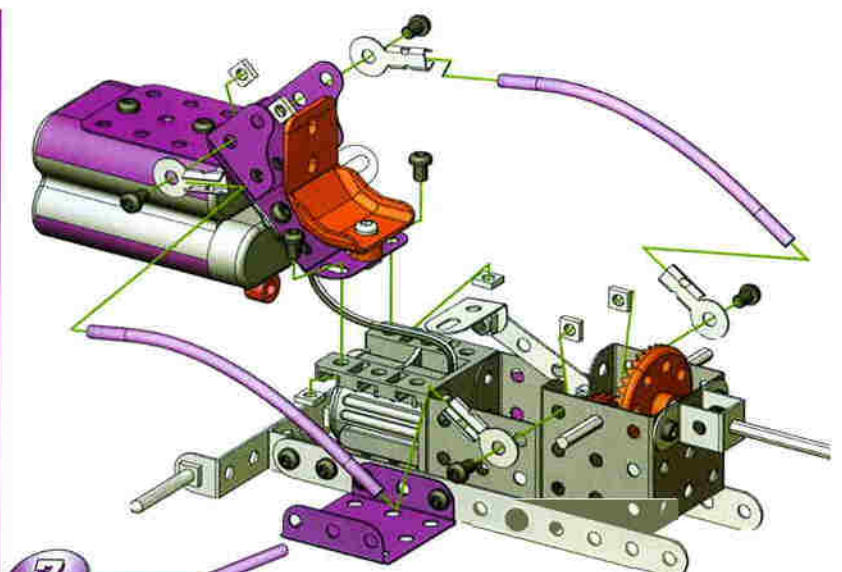
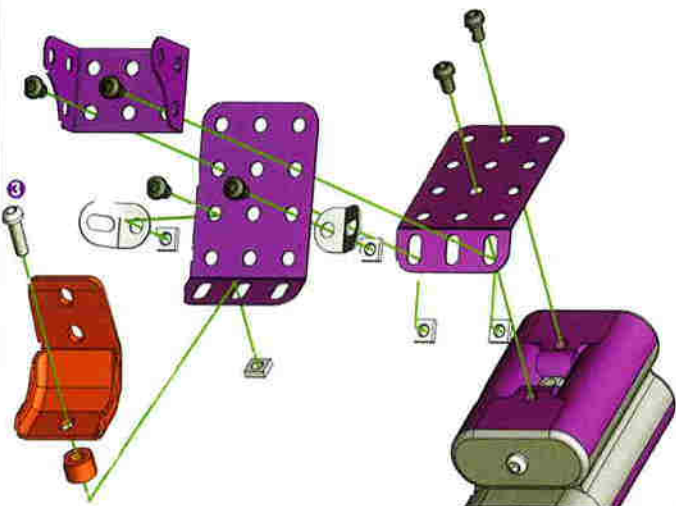
4

- 1x1 Grey Technic Plate (1x3) x1
- 1x1 Grey Technic Plate (1x3) x1
- 1x2 Grey Axle (34 mm) x2
- 1x10 Grey Axle (5.8 mm) x10
- 1x6 Grey Axle (5.8 mm) x6

5

- 1x2 Grey Axle (75 mm) x2
- 1x1 Red Gear (24 teeth) x1
- 1x1 Grey Technic Plate (1x3) x1
- 1x1 Grey Technic Plate (1x3) x1
- 1x1 Red Gear (8 teeth) x1
- 1x1 Grey Axle (5.8 mm) x1
- 1x1 Grey Axle (5.8 mm) x1
- 1x1 Grey Axle (5.8 mm) x1
- 1x2 Grey Axle (5.8 mm) x2
- 1x2 Grey Axle (5.8 mm) x2

- 6**
- Orange Technic 1x3 Technic Brick with Hole: x1
 - Purple Technic 1x3 Technic Plate with 3 Holes: x1
 - Grey Technic Pin: x5
 - Purple Technic 1x3 Technic Plate with 6 Holes: x2
 - White Technic Pin: x2
 - Grey Technic Pin with 12mm Length: x1
 - Red Technic Pin: x1
 - Grey Technic Pin with 5.8mm Length: x6

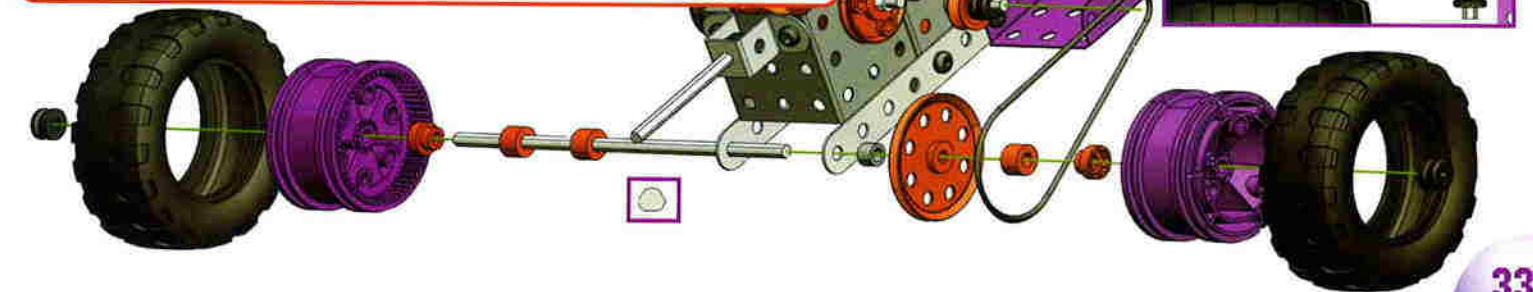


- 7**
- Purple Technic Pin: x2
 - Grey Technic Pin: x4
 - Grey Technic Pin: x6
 - Grey Technic Pin with 5.8mm Length: x6

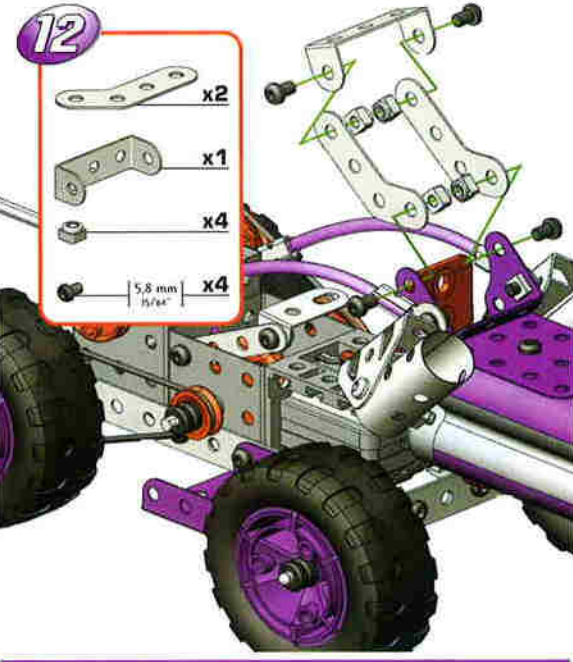
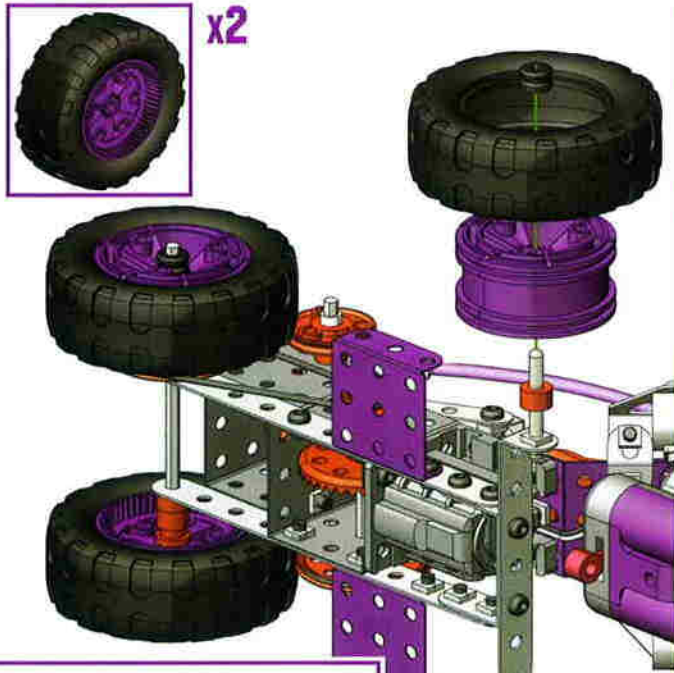
- 9**
- Black Rubber Band: x1
 - Red Technic Pin: x1
 - Black Technic Pin: x1
 - Red Technic Pin: x1
 - Black Technic Pin: x2
 - Black Technic Pin: x1
 - Orange Technic Gear: x1
 - Orange Technic Gear: x1

- 8**
- White Technic Pin: x2
 - Grey Technic Pin: x2
 - Grey Technic Pin: x4
 - Orange Technic Gear: x2
 - Red Technic Pin: x1
 - Black Technic Pin: x2
 - Black Technic Pin: x1
 - Black Technic Pin: x1

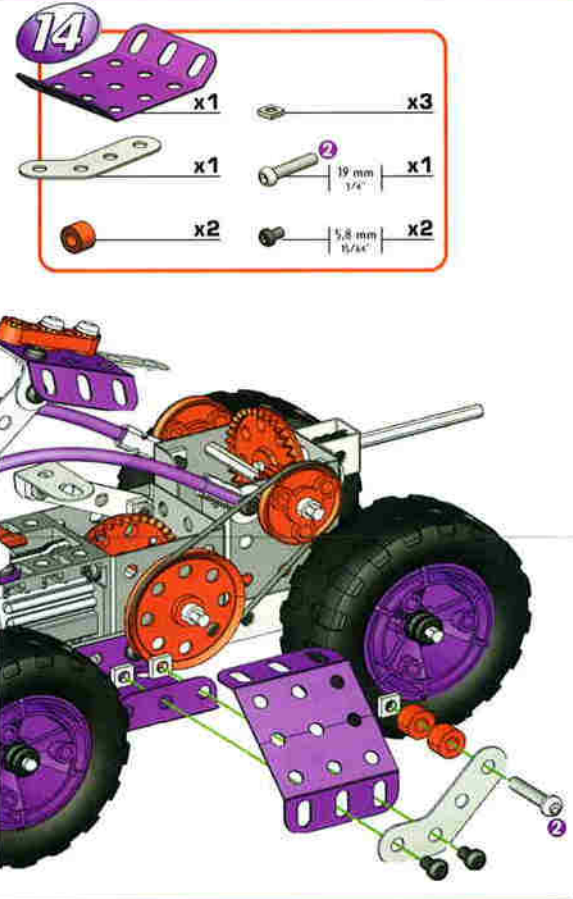
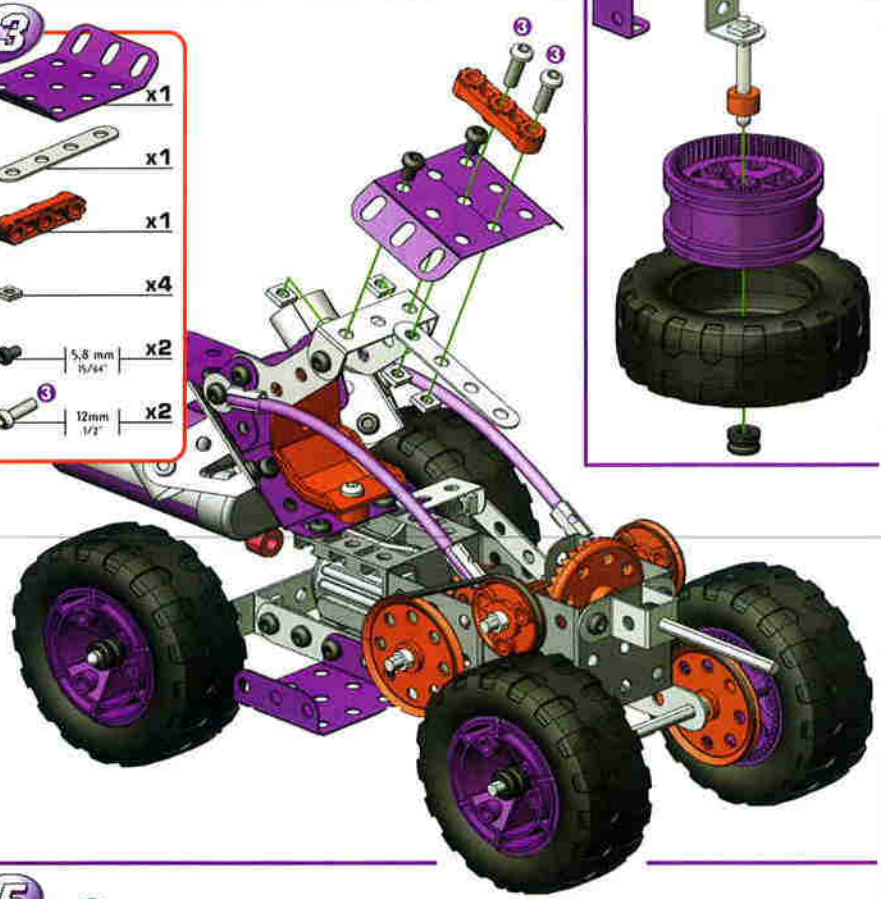
- 10**
- Black Tire: x2
 - Purple Wheel: x2
 - Orange Technic Gear: x1
 - Black Rubber Band: x1
 - Black Technic Pin: x2
 - Red Technic Pin: x2
 - Red Technic Pin: x3
 - Black Technic Pin: x1



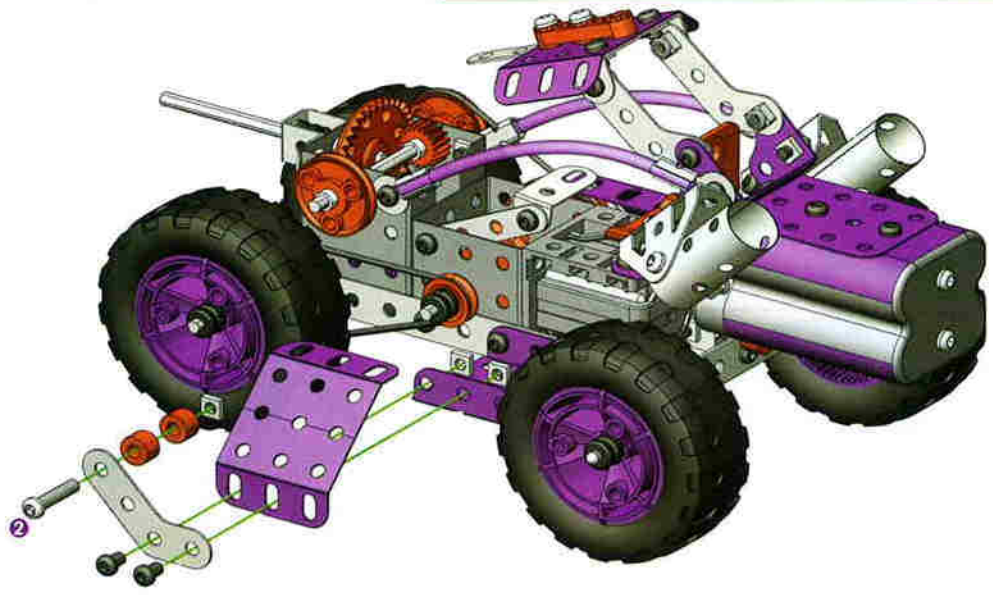
- 11**
- x2
 - x2
 - x2
 - x2



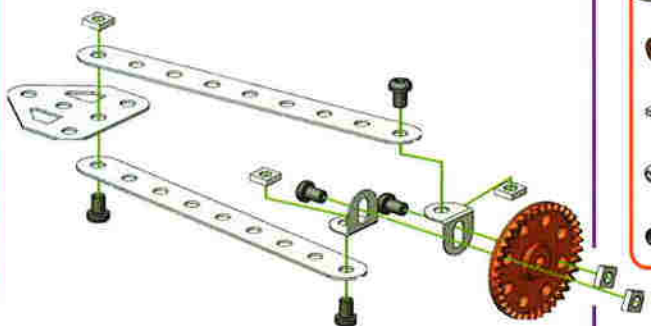
- 13**
- x1
 - x1
 - x1
 - x4
 - x2
 - x2



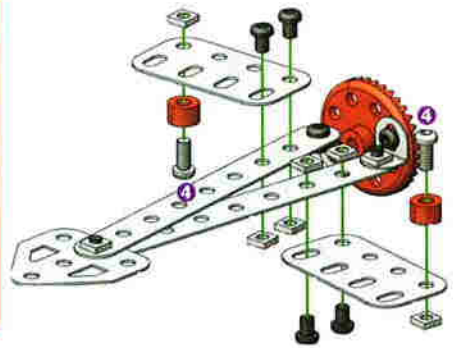
- 15**
- x1
 - x1
 - x2
 - x3
 - x1
 - x2



- 16**
- x2
 - x1
 - x1
 - x2
 - x5
 - x5



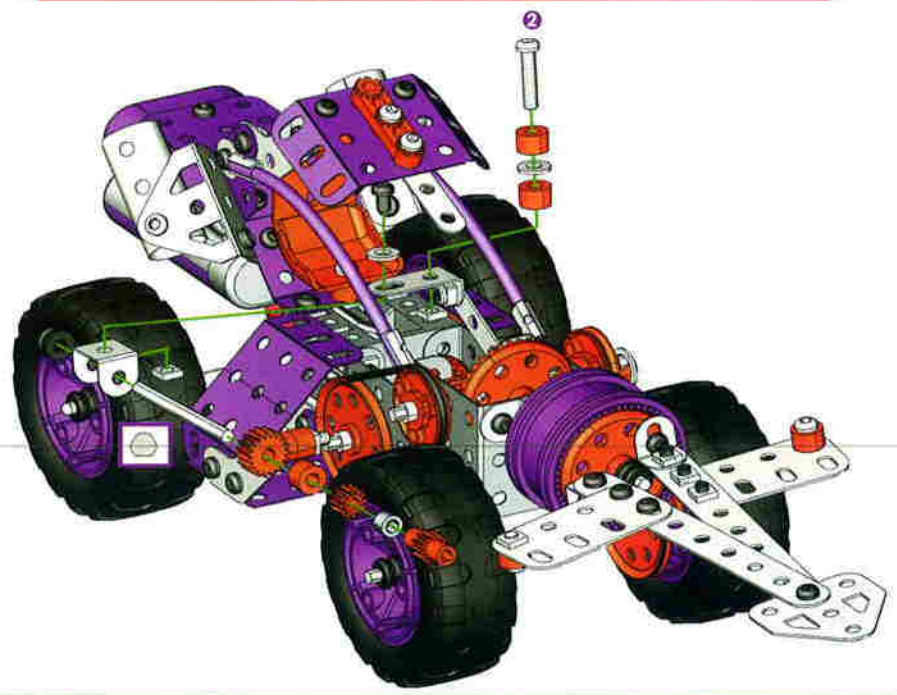
- 17**
- x2
 - x2
 - x6
 - x2
 - x2
 - x4



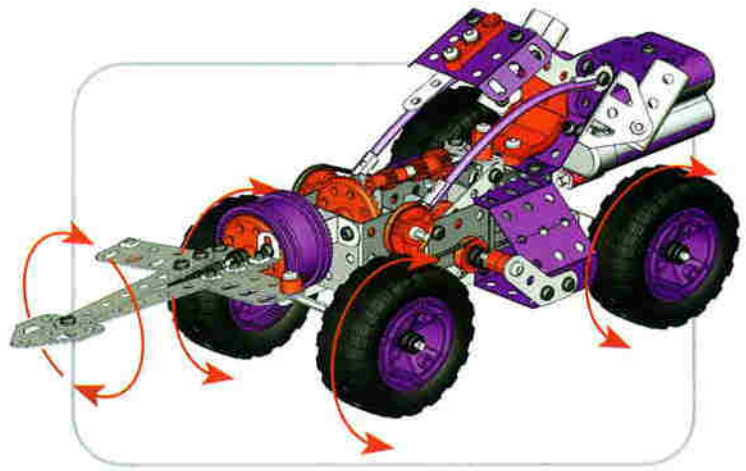
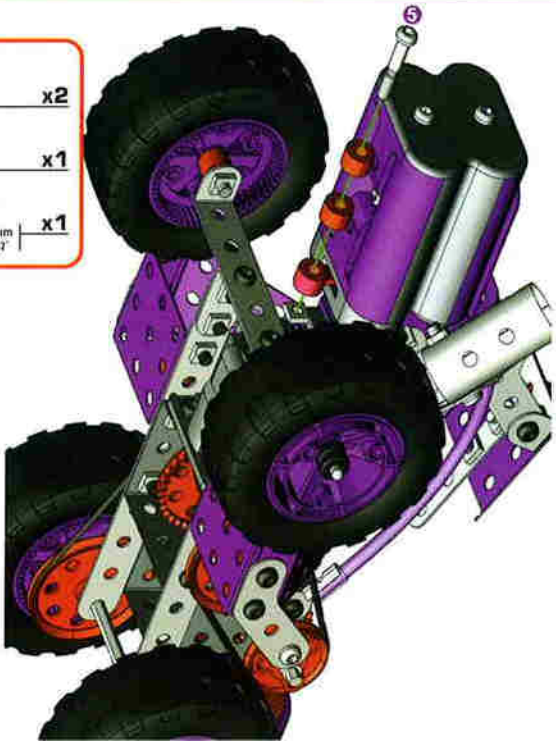
- 18**
- x1
 - x1
 - x1
 - x1

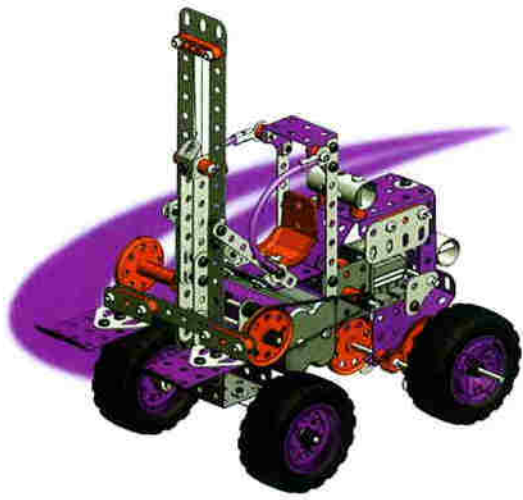


- 19**
- x1
 - x1
 - x1
 - x1
 - x2
 - x1
 - x1
 - x3
 - x1
 - x1

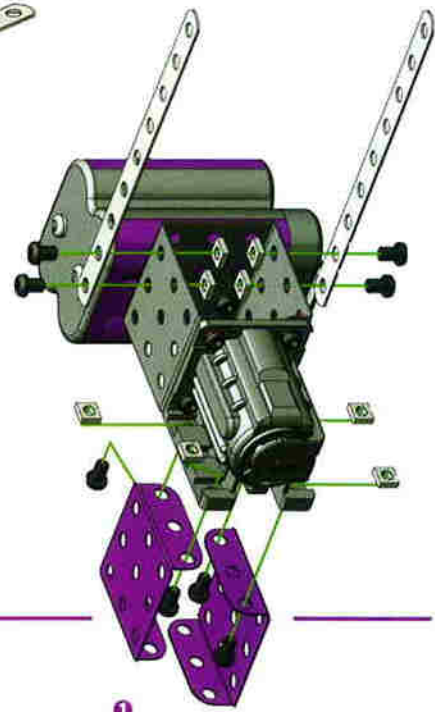


- 20**
- x2
 - x1
 - x1

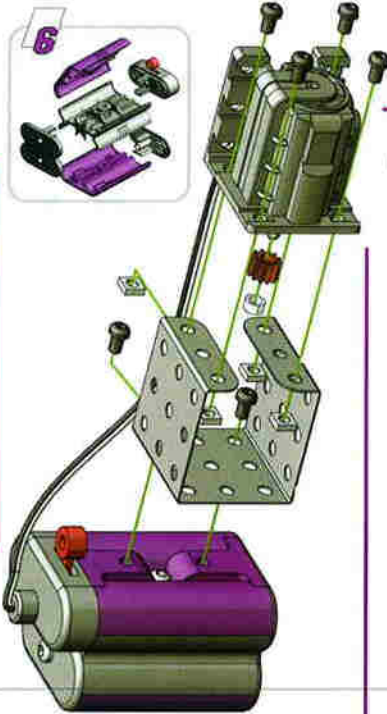




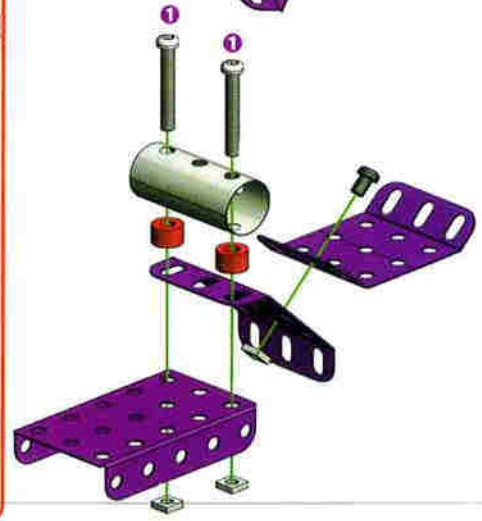
- 2**
- x2
 - x2
 - x8
 - x8



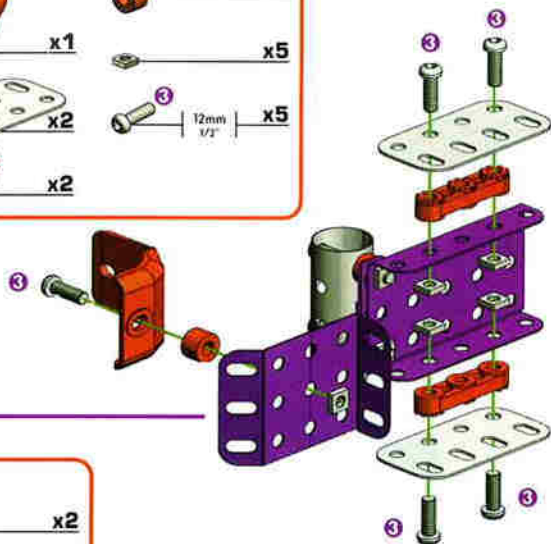
- 1**
- x1
 - x1
 - x1
 - x4
 - x6
 - x1
 -



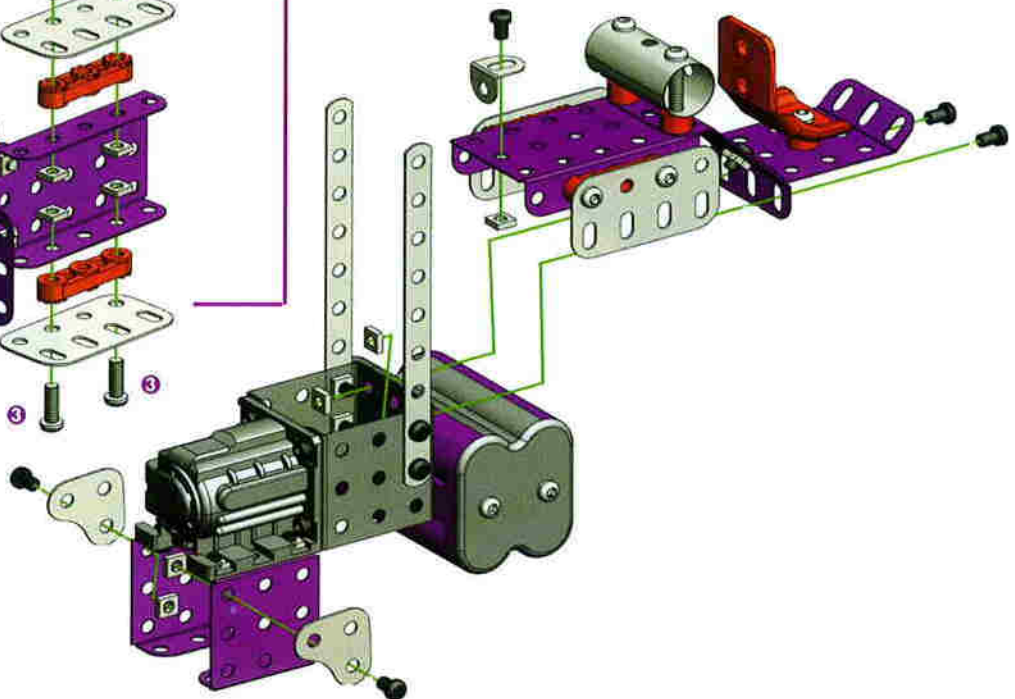
- 3**
- x1
 - x2
 - x1
 - x2
 - x2
 - x3
 - x2
 - x1



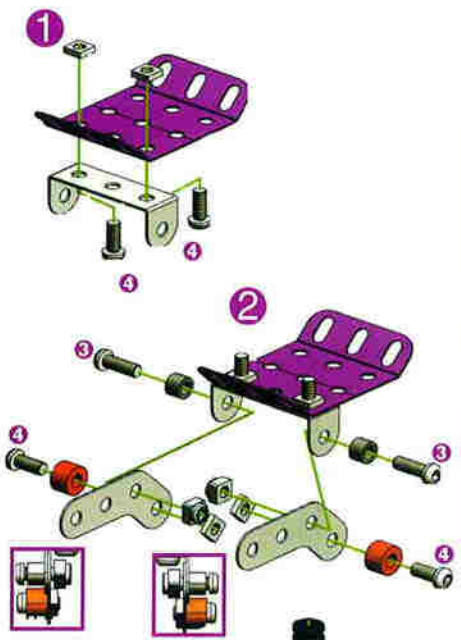
- 4**
- x1
 - x1
 - x5
 - x5
 - x2
 - x2



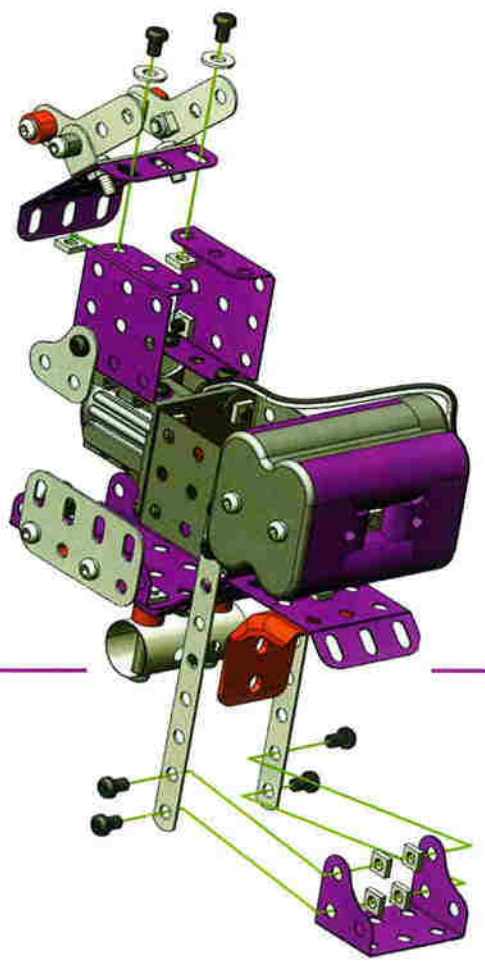
- 5**
- x2
 - x1
 - x5
 - x5



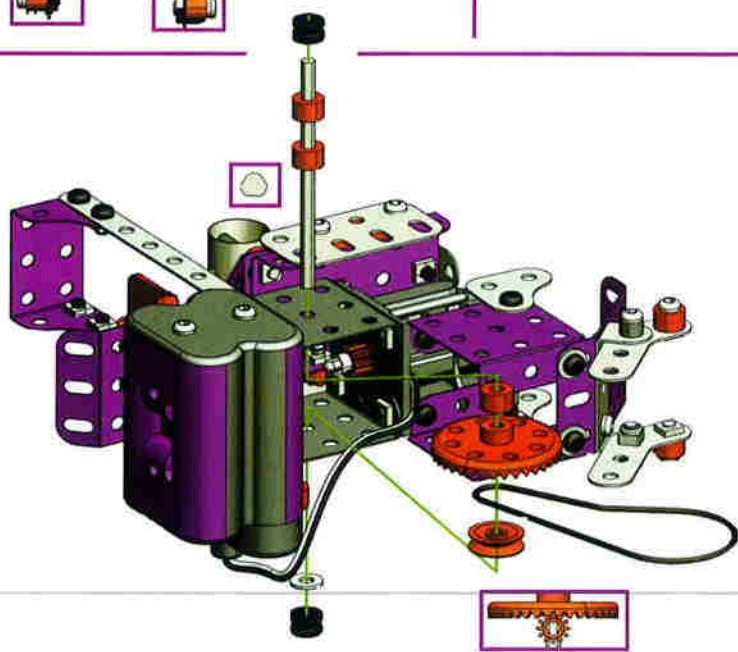
- 6**
- x1
 - x2
 - x1
 - x2
 - x2
 - x2
 - x4
 - x2
 - 12 mm $\frac{1}{2}$ " x2
 - $9,5\text{ mm}$ $\frac{3}{8}$ " x4



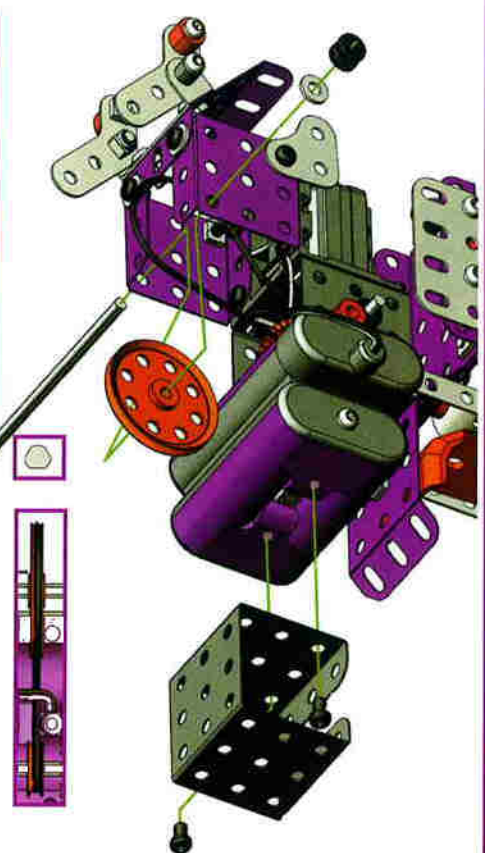
- 7**
- x1
 - x2
 - x6
 - x6



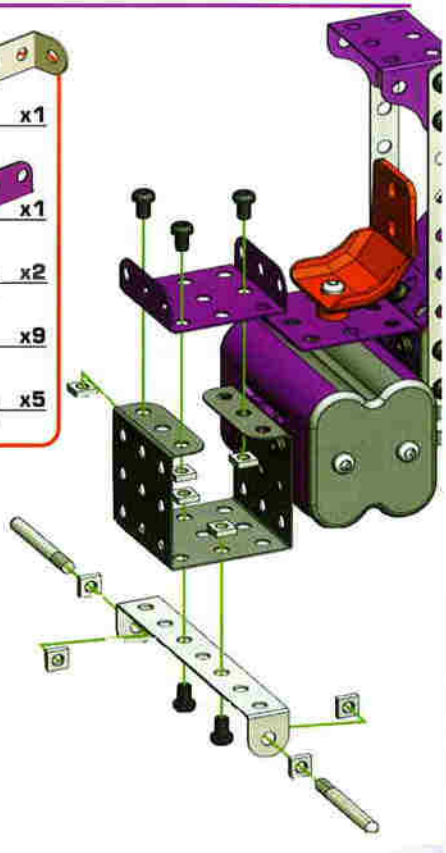
- 8**
- 75 mm $\frac{3}{4}$ " x1
 - 150 mm 6" x1
 - x1
 - x1
 - x2
 - x3
 - x1



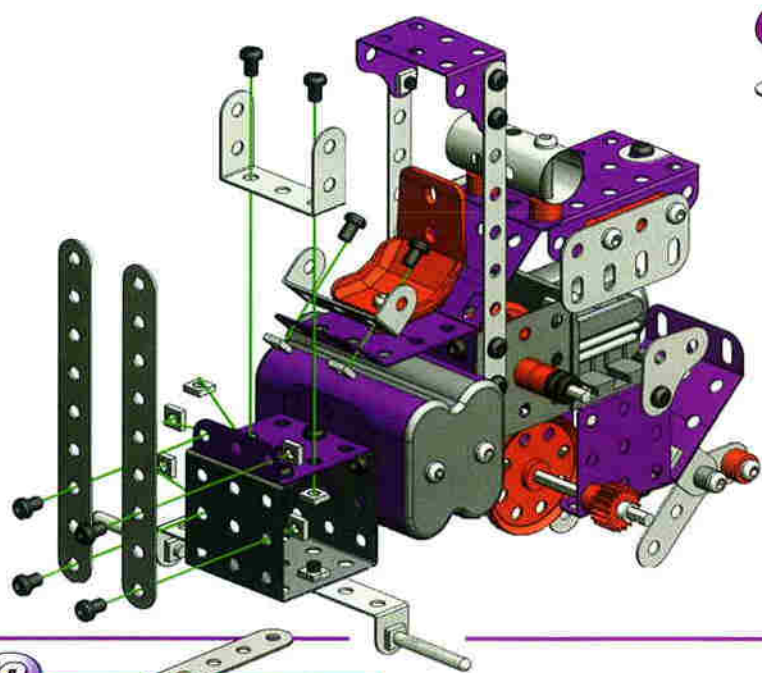
- 9**
- x1
 - x1
 - x1
 - x1
 - x1
 - x1
 - x1
 - x2
 - 75 mm $\frac{3}{4}$ " x1
 - x1



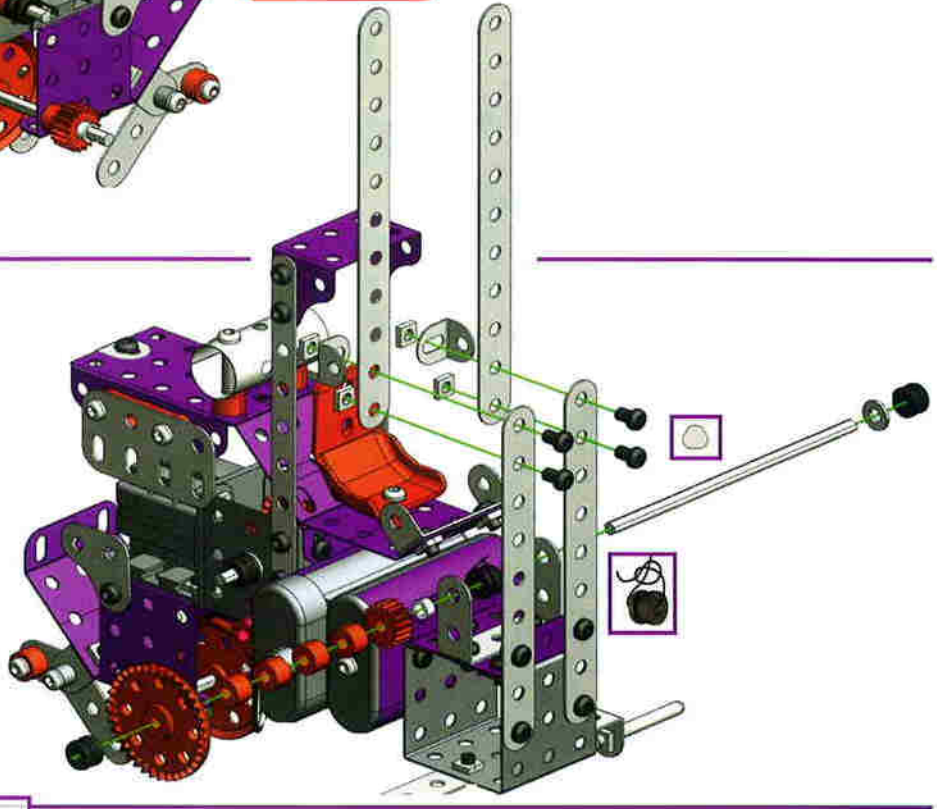
- 10**
- x1
 - x1
 - 34 mm $\frac{1 1}{8}$ " x2
 - x9
 - $5,8\text{ mm}$ $\frac{3}{16}$ " x5



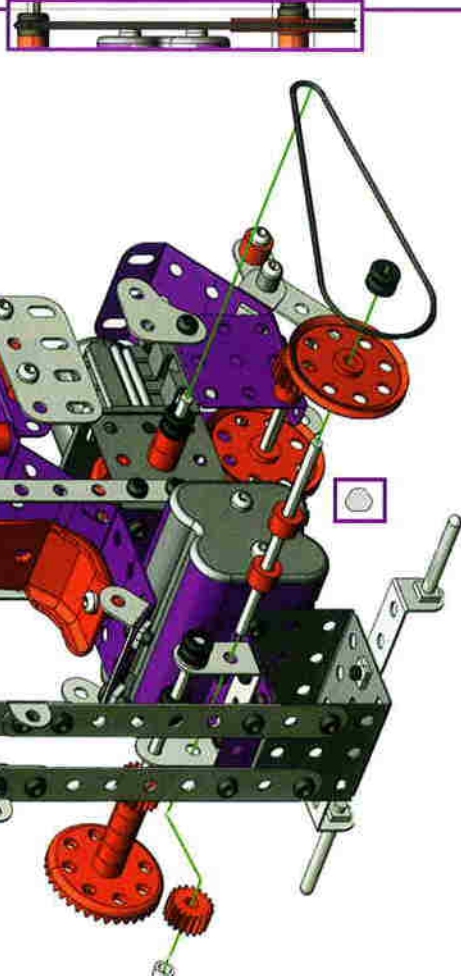
- 11**
- x2
 - x1
 - x1
 - x8
 - x8



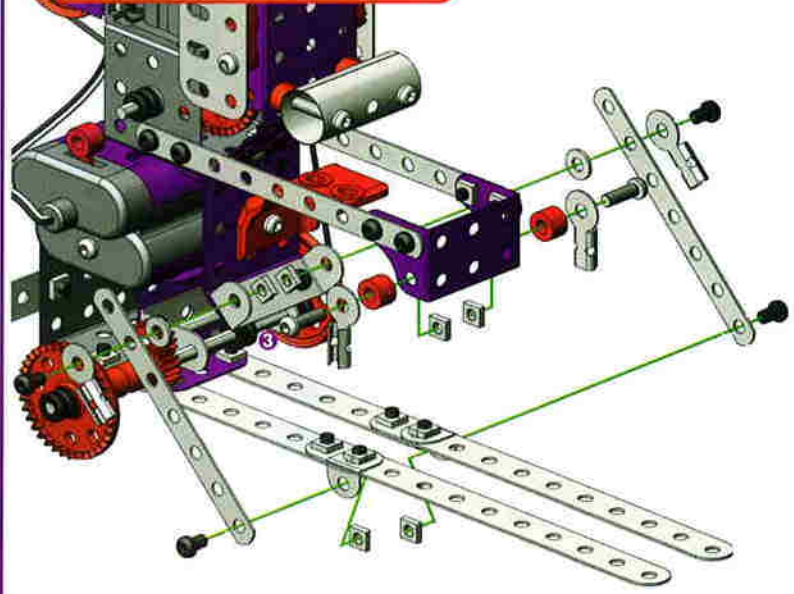
- 12**
- x2
 - x3
 - x1
 - x4
 - x1
 - x1
 - x1
 - x4
 - x2
 - x1
 - x1
 - x1
 - x4



- 13**
- x1
 - x1
 - x1
 - x1
 - x1
 - x2
 - x1



- 14**
- x2
 - x6
 - x4
 - x2
 - x4
 - x2
 - x2



15

12mm 1/2" x2	5.8mm 1/16" x2
12mm 1/2" x7	5.8mm 1/16" x5
12mm 1/2" x2	
12mm 1/2" x2	
12mm 1/2" x1	
12mm 1/2" x1	

17

120mm 4 3/4" x2	12mm 1/2" x2
12mm 1/2" x1	12mm 1/2" x2
12mm 1/2" x1	

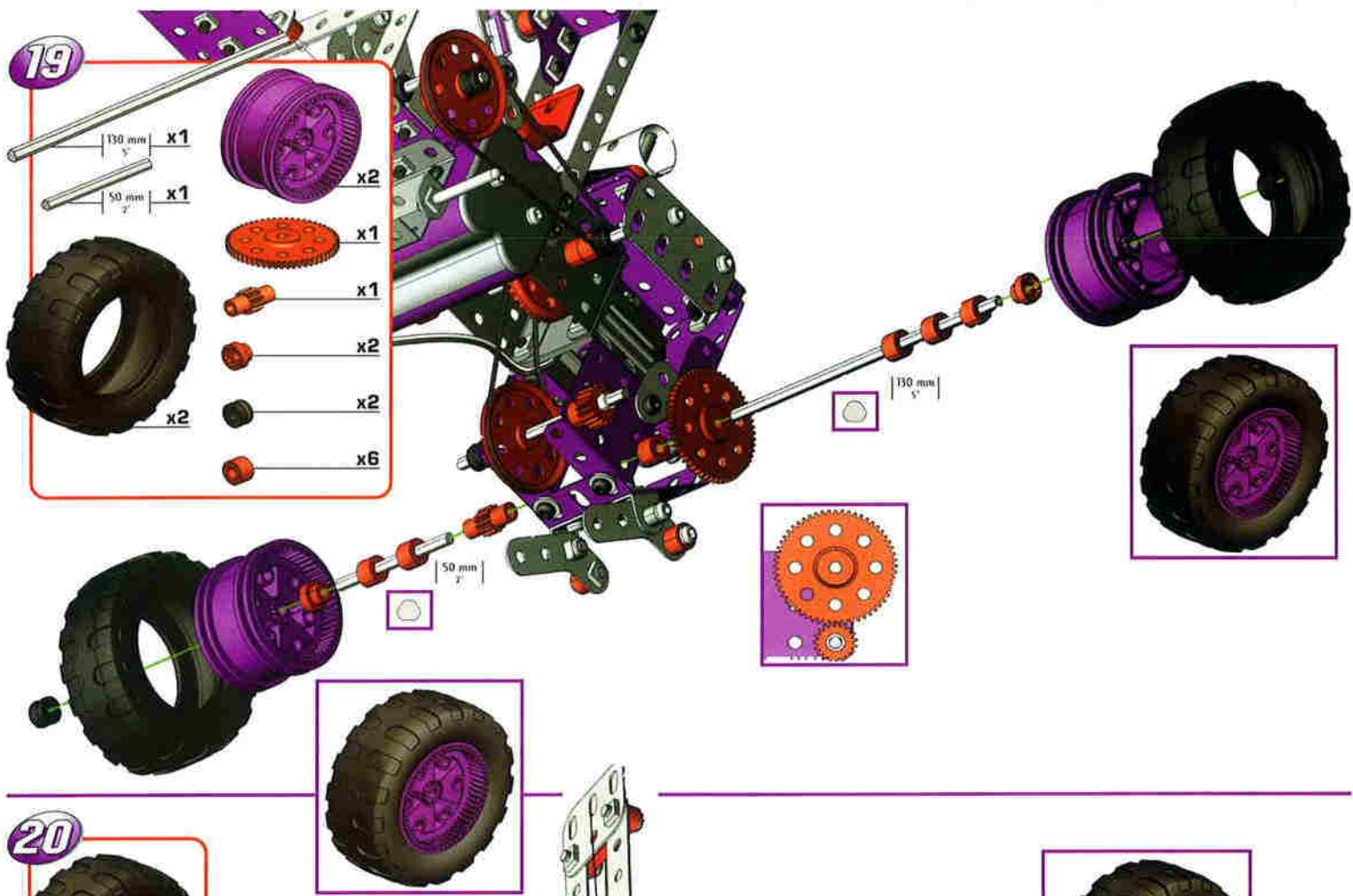
16

12mm 1/2" x1	12mm 1/2" x2
12mm 1/2" x2	12mm 1/2" x9
12mm 1/2" x2	19mm 3/4" x1
12mm 1/2" x2	12mm 1/2" x4
12mm 1/2" x2	5.8mm 1/16" x4
12mm 1/2" x2	

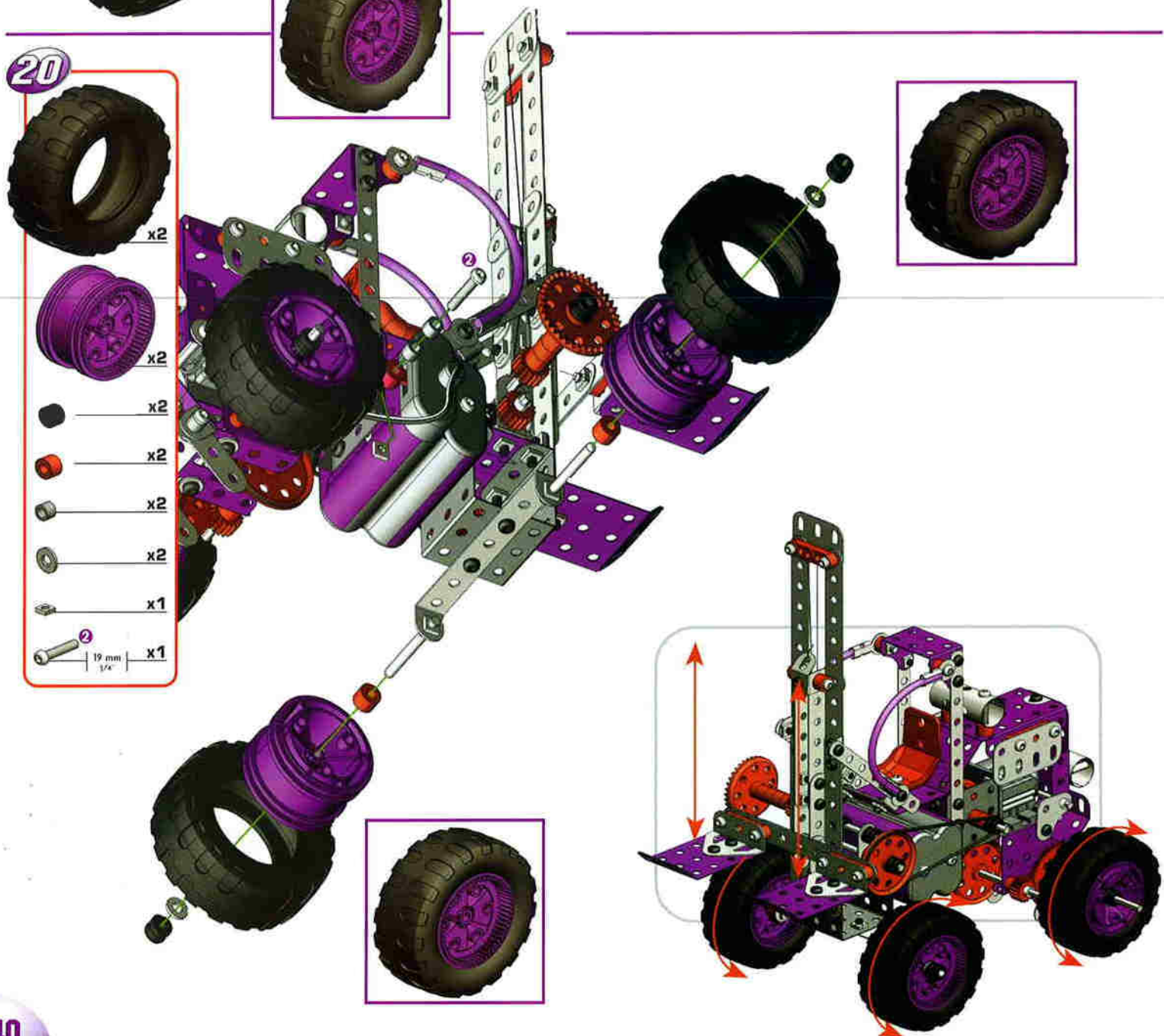
18

12mm 1/2" x1	5.8mm 1/16" x1
12mm 1/2" x1	
50mm x1	
12mm 1/2" x2	
12mm 1/2" x3	
23mm 29/32" x2	
5.8mm 1/16" x1	

19



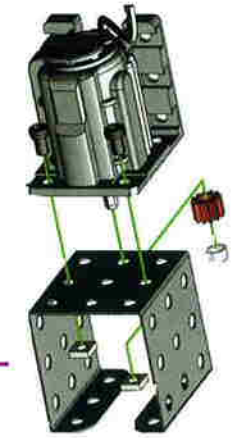
20





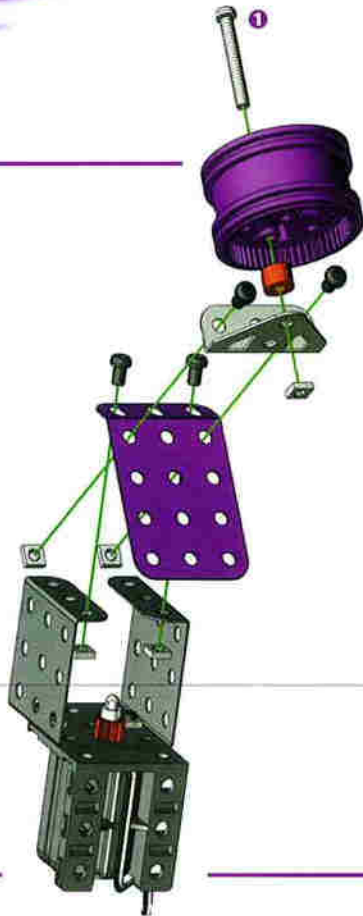
7

- Grey L-shaped Technic beam (3x3 holes) x1
- Red axle pin x1
- Grey axle pin x1
- Grey axle pin x2
- Grey Technic motor x1
- Grey axle pin (5.8 mm / 1/4") x2



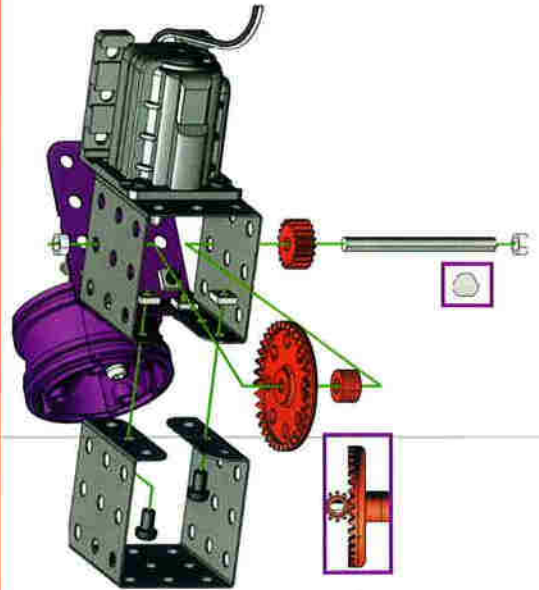
2

- Purple Technic plate (1x6 holes) x1
- Purple wheel x1
- Grey Technic plate (1x3 holes) x1
- Red axle pin x1
- Grey axle pin x5
- Grey axle pin (28 mm / 1 1/8") x1
- Grey axle pin (5.8 mm / 1/4") x4



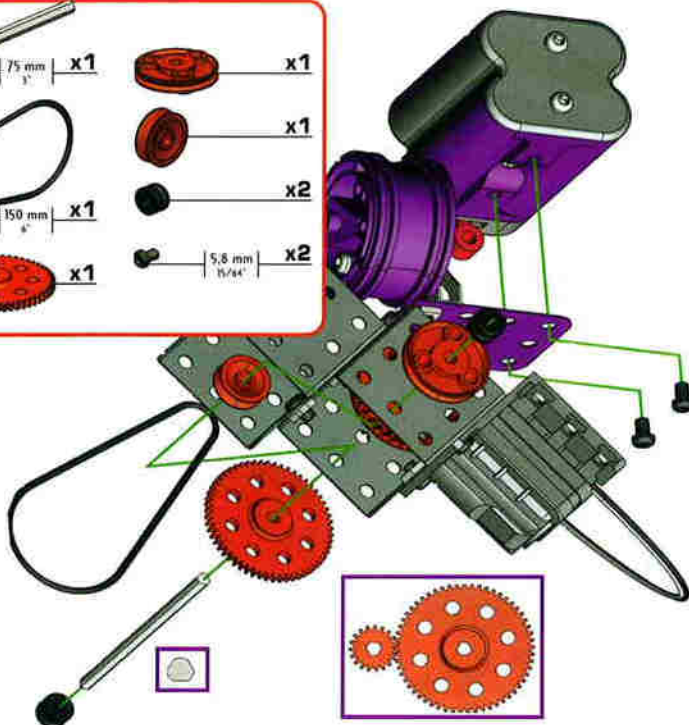
3

- Grey L-shaped Technic beam (3x3 holes) x1
- Grey axle pin (50 mm / 2") x1
- Red gear (24 teeth) x1
- Red gear (12 teeth) x1
- Red axle pin x1
- Grey axle pin x2
- Grey axle pin x2
- Grey axle pin (5.8 mm / 1/4") x2



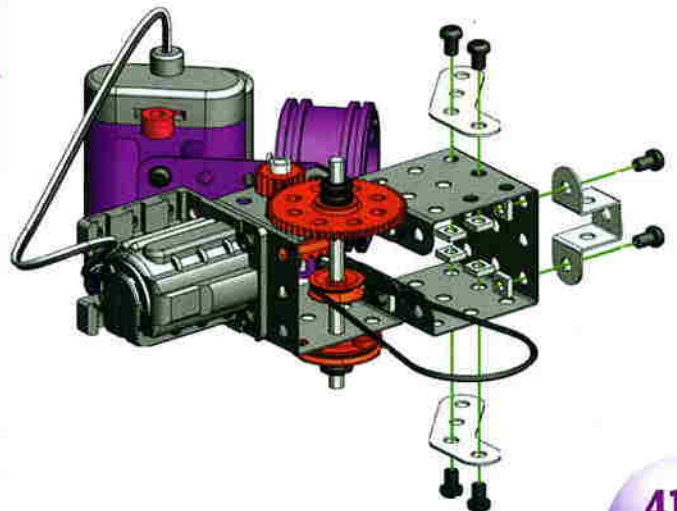
4

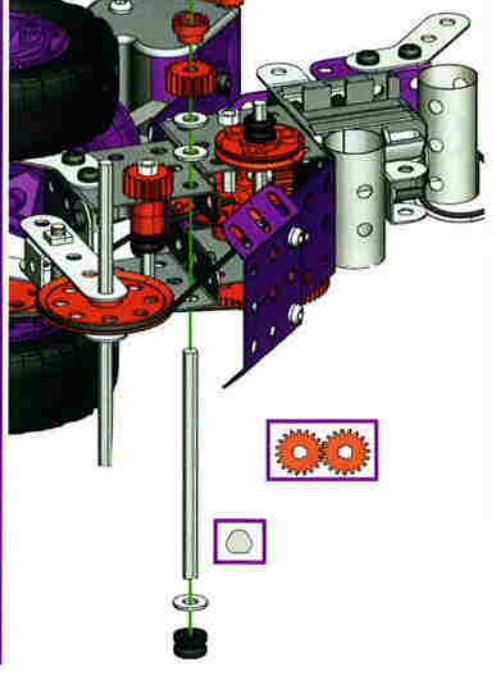
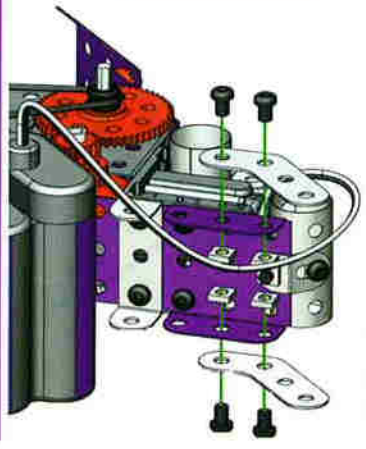
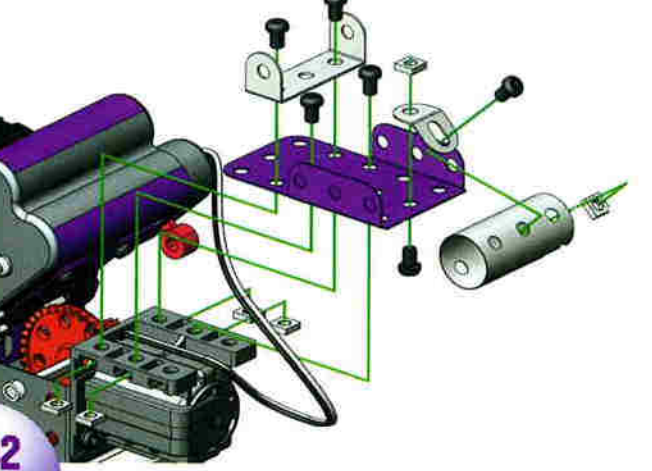
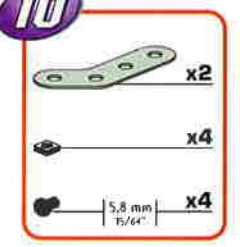
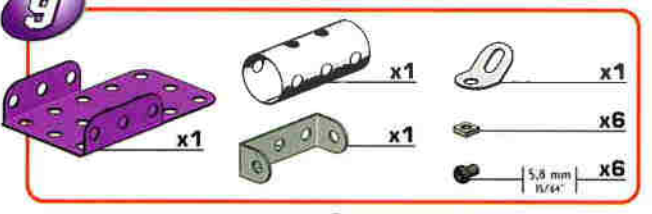
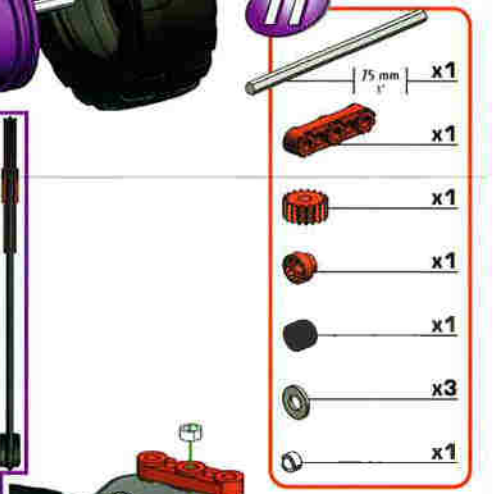
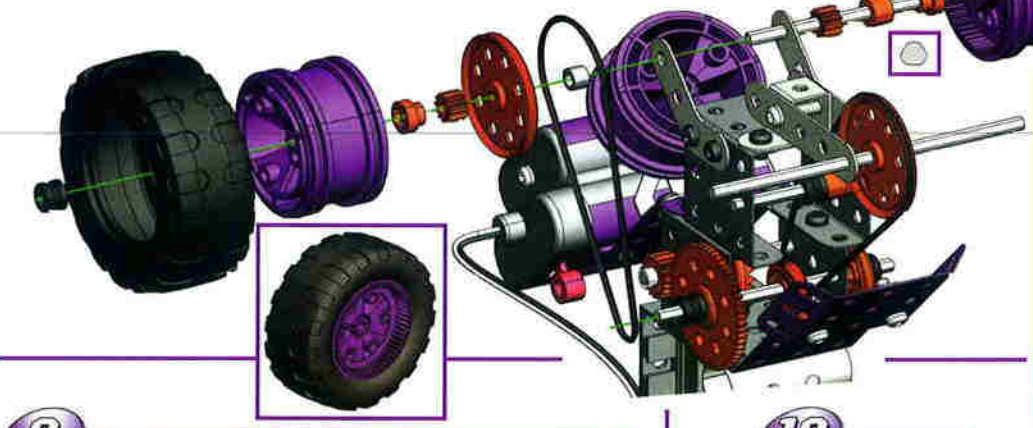
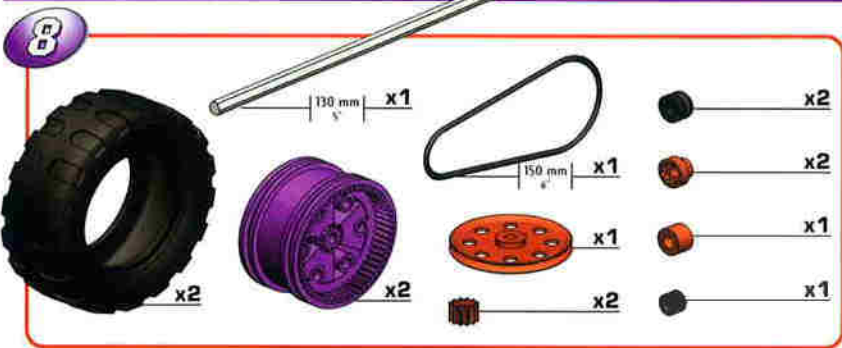
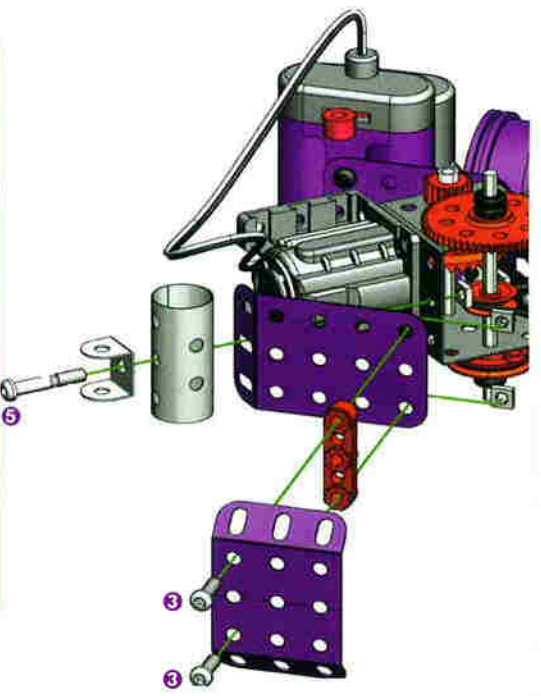
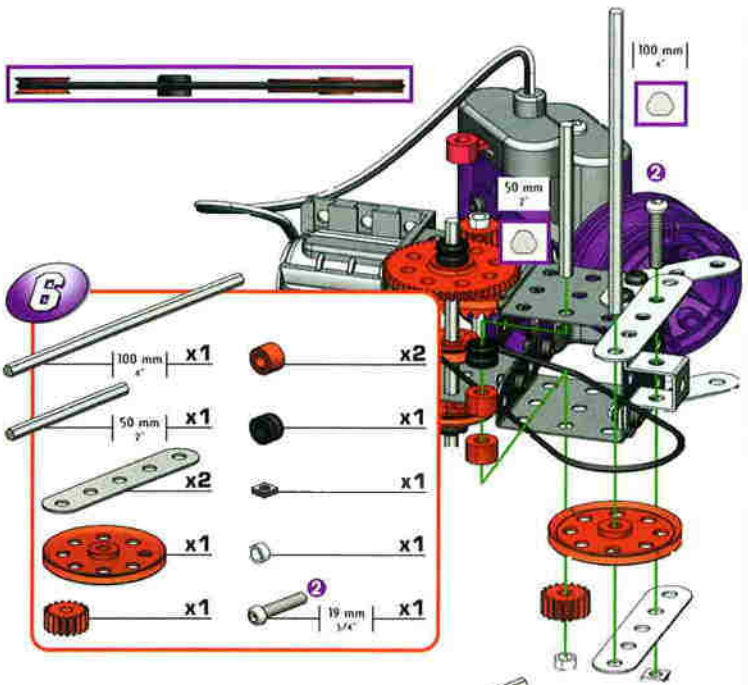
- Grey axle pin (75 mm / 3") x1
- Red gear (24 teeth) x1
- Red gear (12 teeth) x1
- Black axle pin x2
- Black axle pin (150 mm / 6") x1
- Red gear (48 teeth) x1
- Grey axle pin (5.8 mm / 1/4") x2



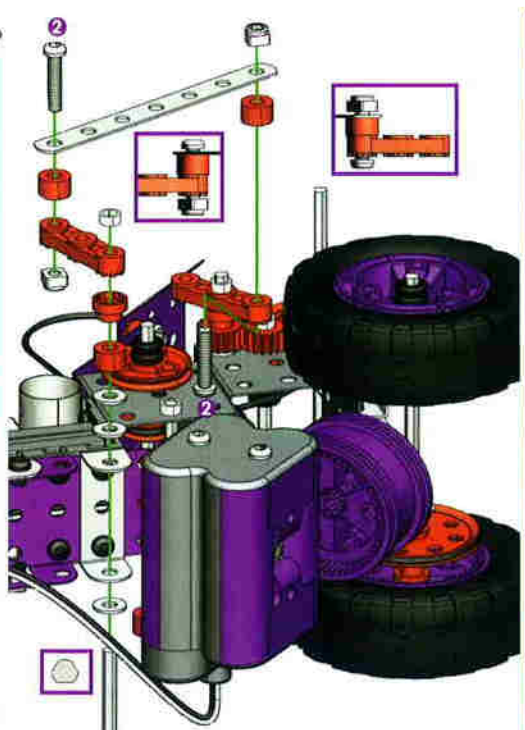
5

- Grey Technic plate (1x3 holes) x2
- Grey Technic plate (1x3 holes) x1
- Grey axle pin (5.8 mm / 1/4") x6
- Grey axle pin (5.8 mm / 1/4") x6

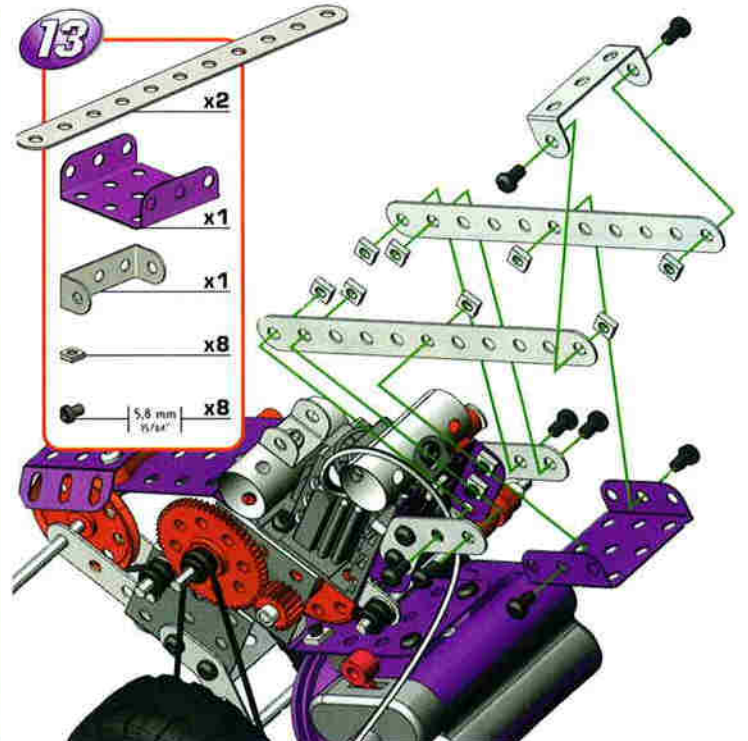




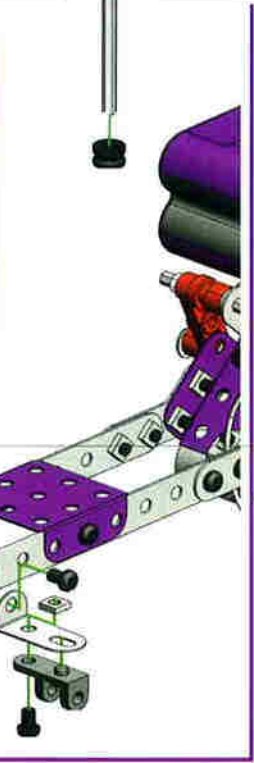
- 12**
- x1
 - x1
 - x1
 - x1
 - x1
 - x3
 - x3
 - x2
 - x1
 - x2



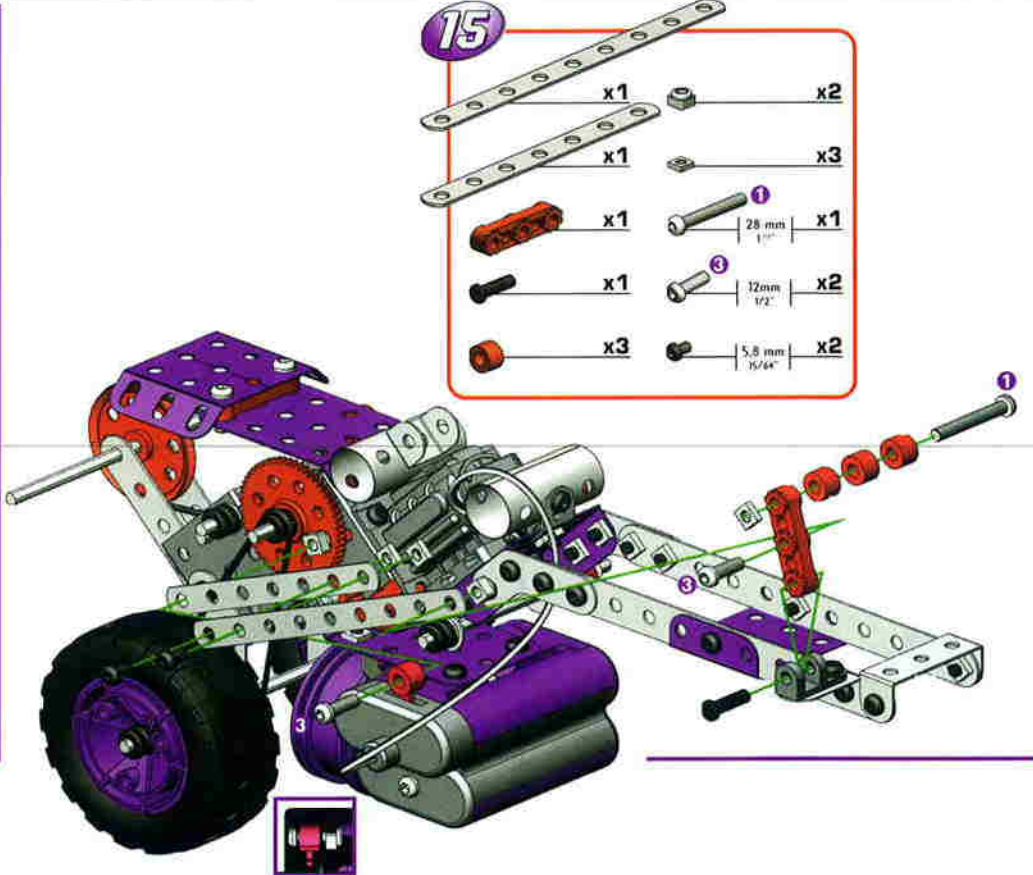
- 13**
- x2
 - x1
 - x1
 - x8
 - x8



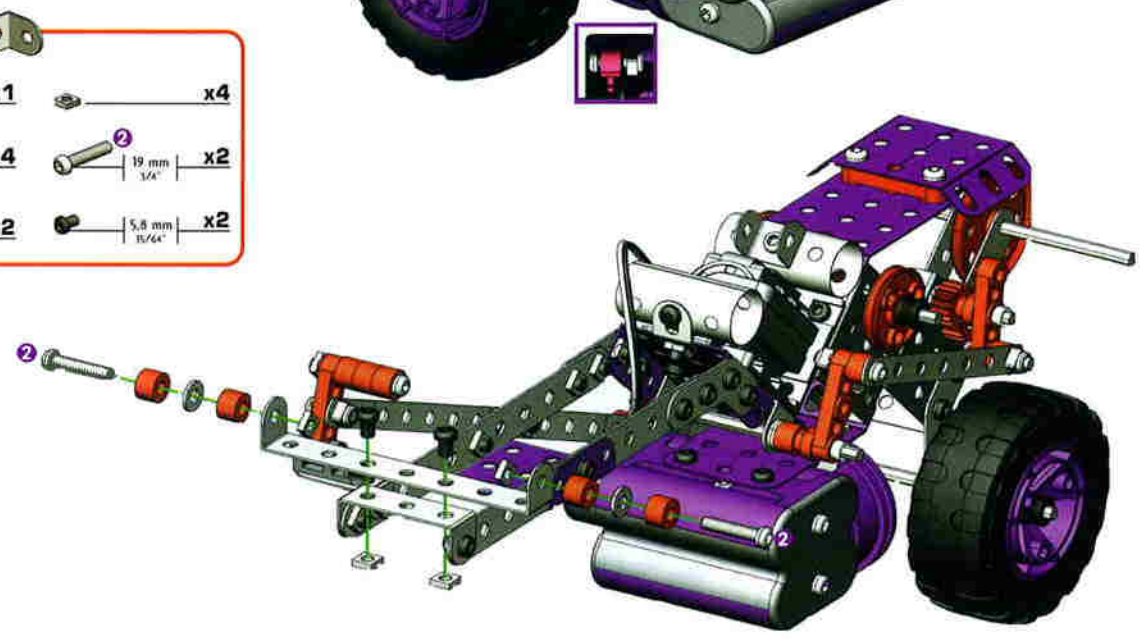
- 14**
- x1
 - x1
 - x2
 - x2



- 15**
- x1
 - x1
 - x1
 - x1
 - x3
 - x2
 - x1
 - x2
 - x2

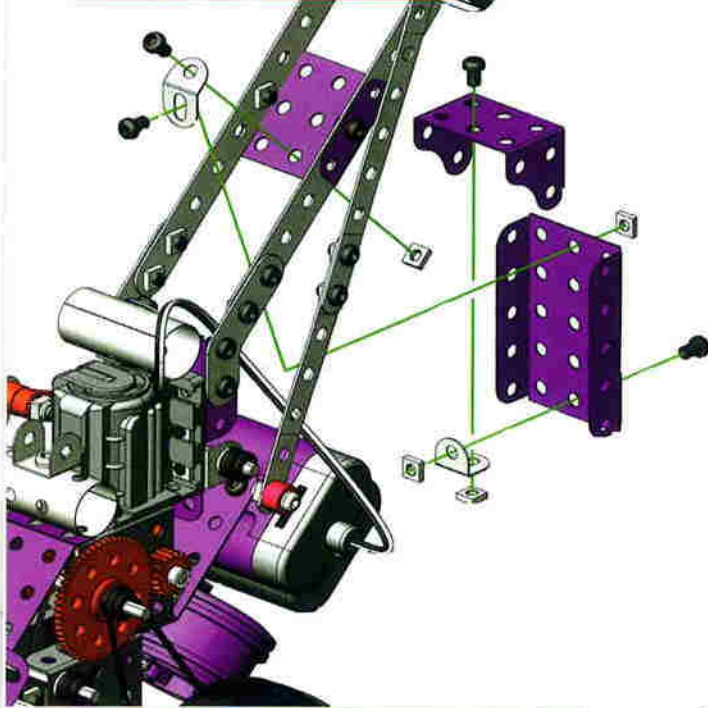


- 16**
- x1
 - x4
 - x2
 - x4
 - x2
 - x2

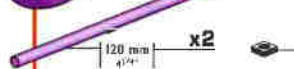








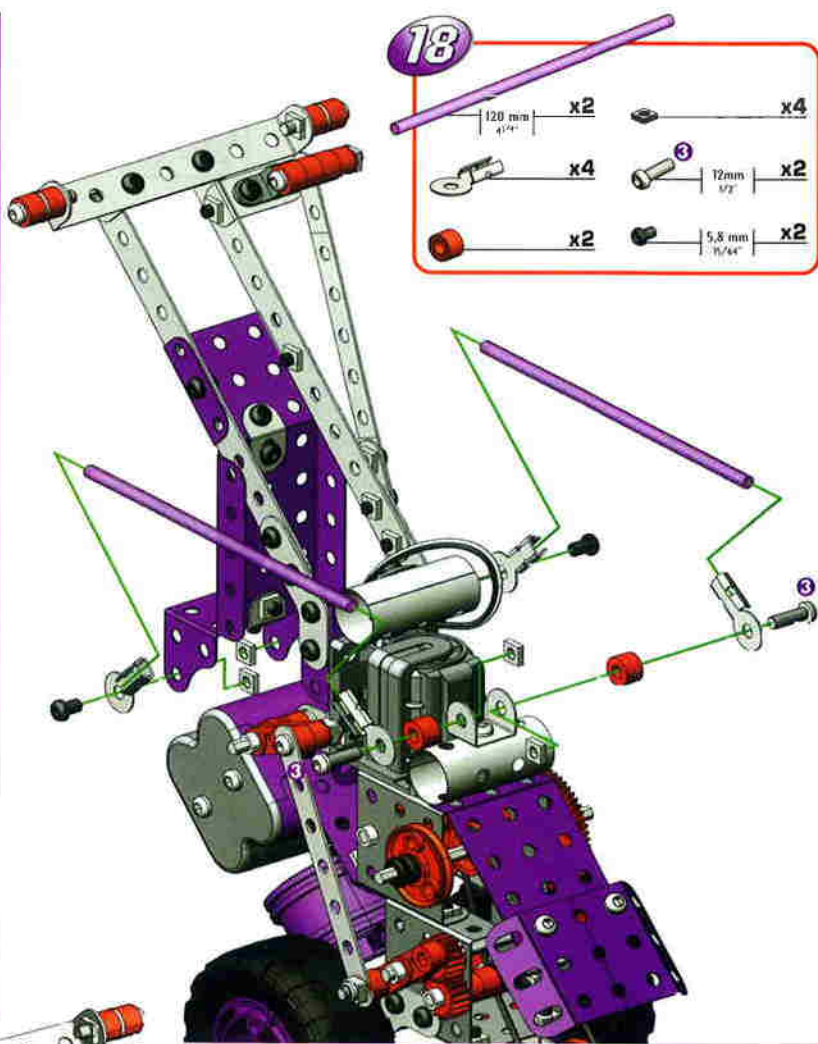
17

-  x1
-  x1
-  x1
-  x1
-  x4
-  x4









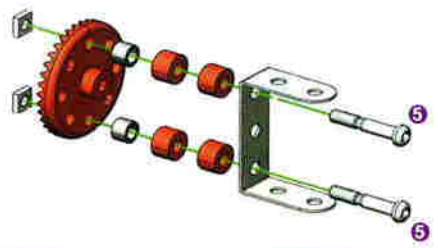
18

-  x2
-  x4
-  x2
-  x2
-  x4
-  x2
-  x2










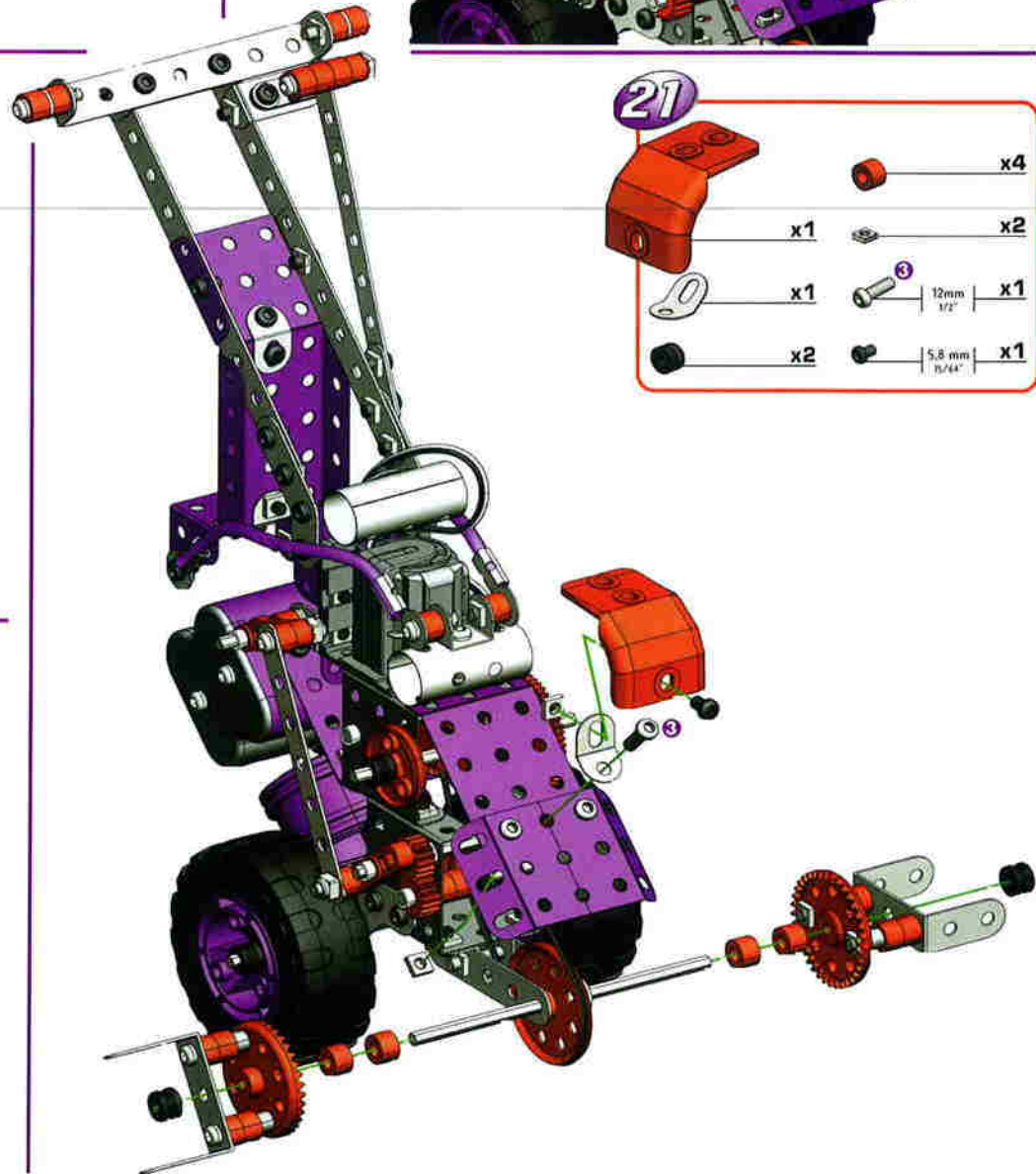
19

-  x1
-  x2
-  x1
-  x2
-  x4
-  x2









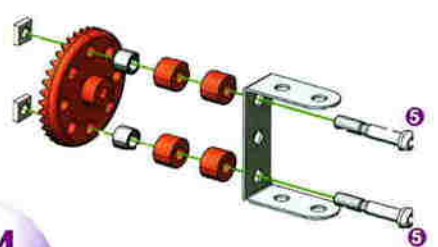
21




-  x1
-  x4
-  x2
-  x1
-  x1
-  x2
-  x1

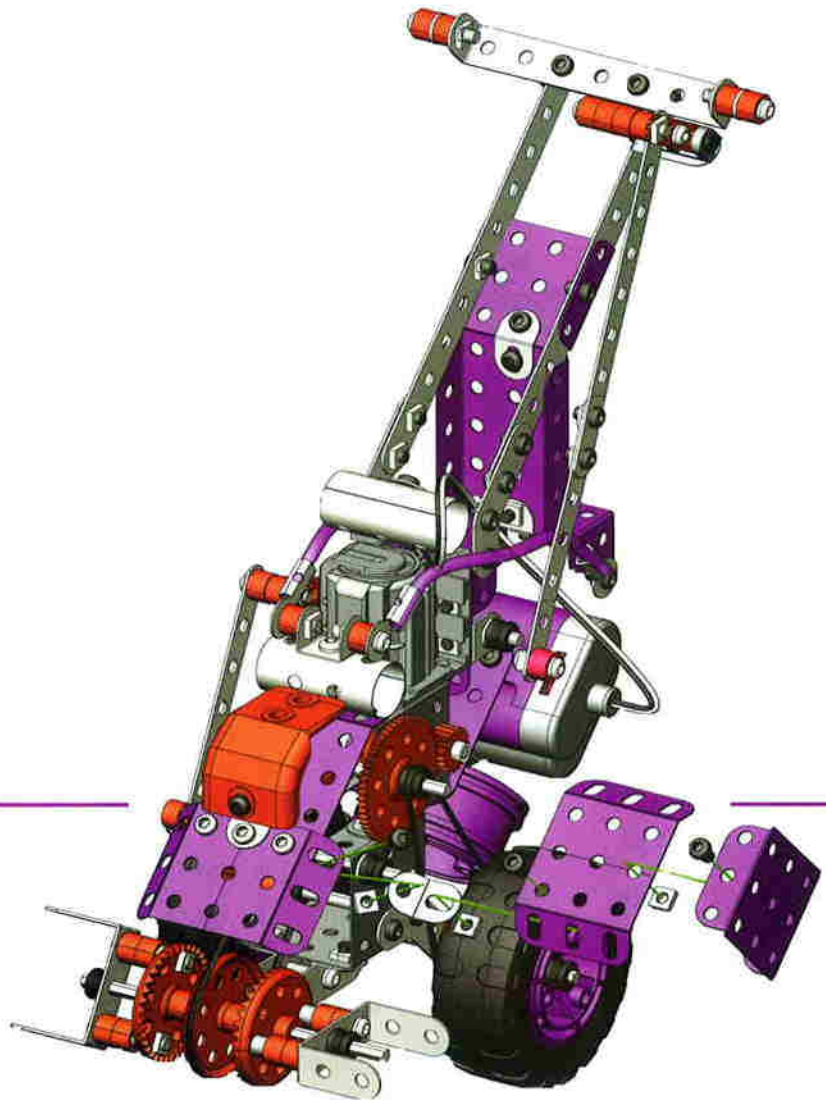


20

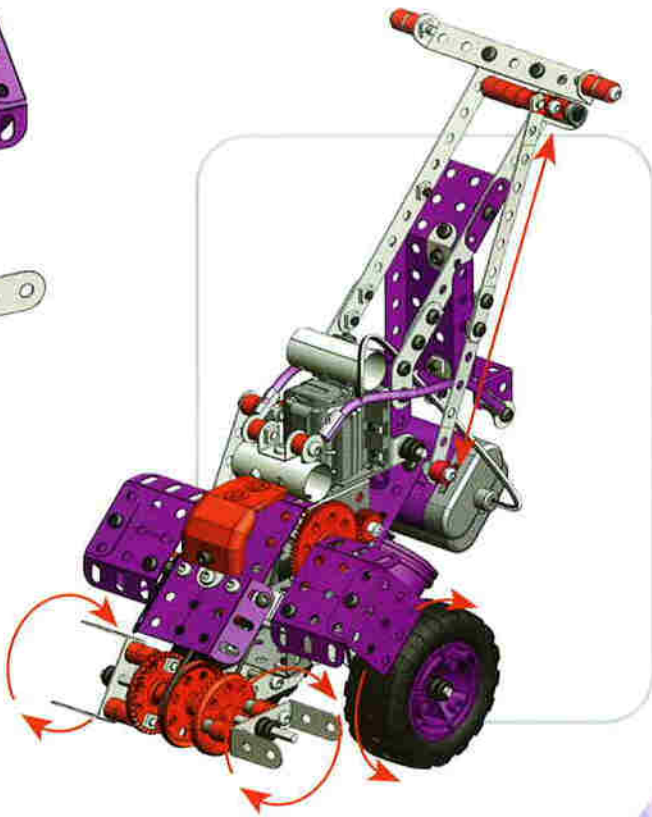
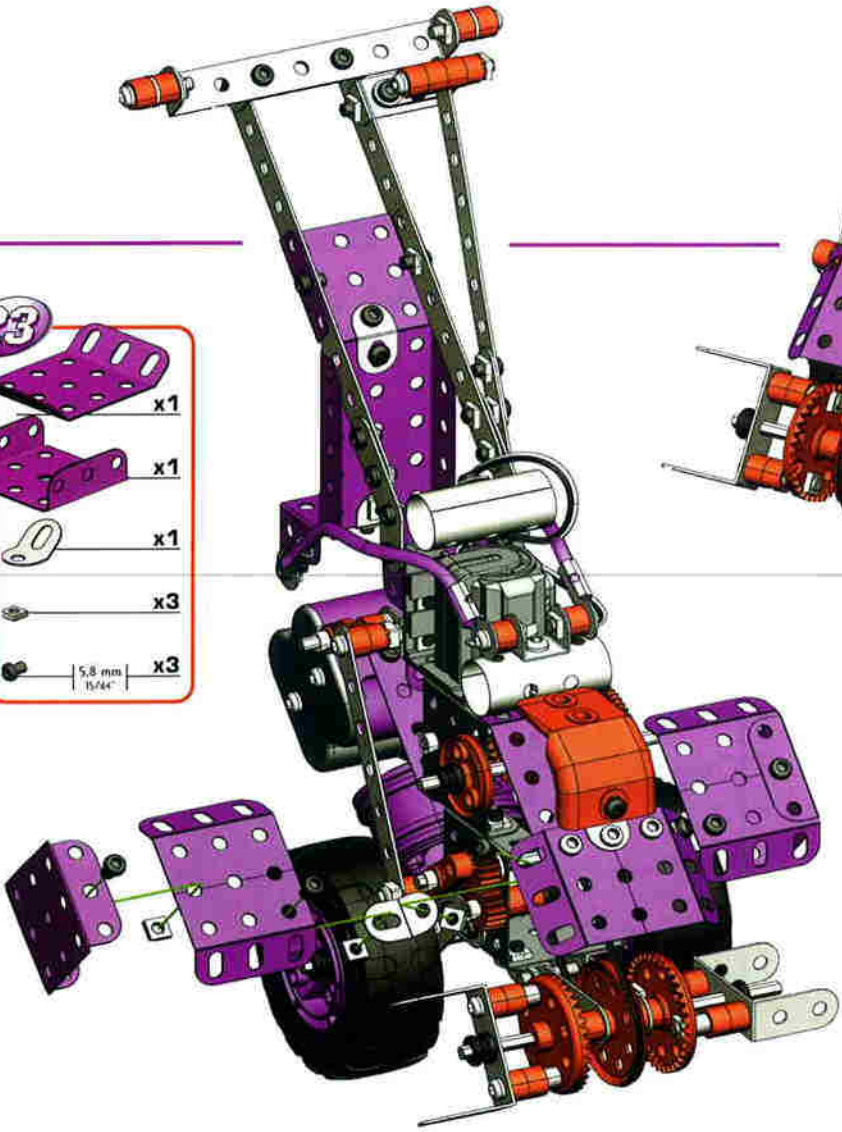
-  x1
-  x2
-  x1
-  x2
-  x4
-  x2

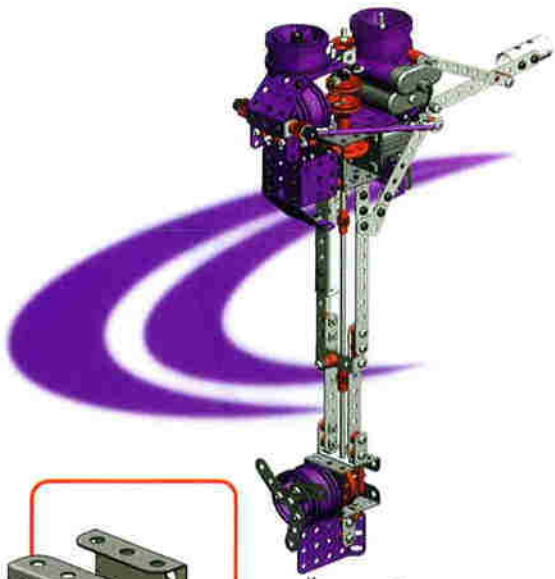


- 22**
-  x1
 -  x1
 -  x1
 -  x3
 -  x3
- 5.8 mm
1/4"



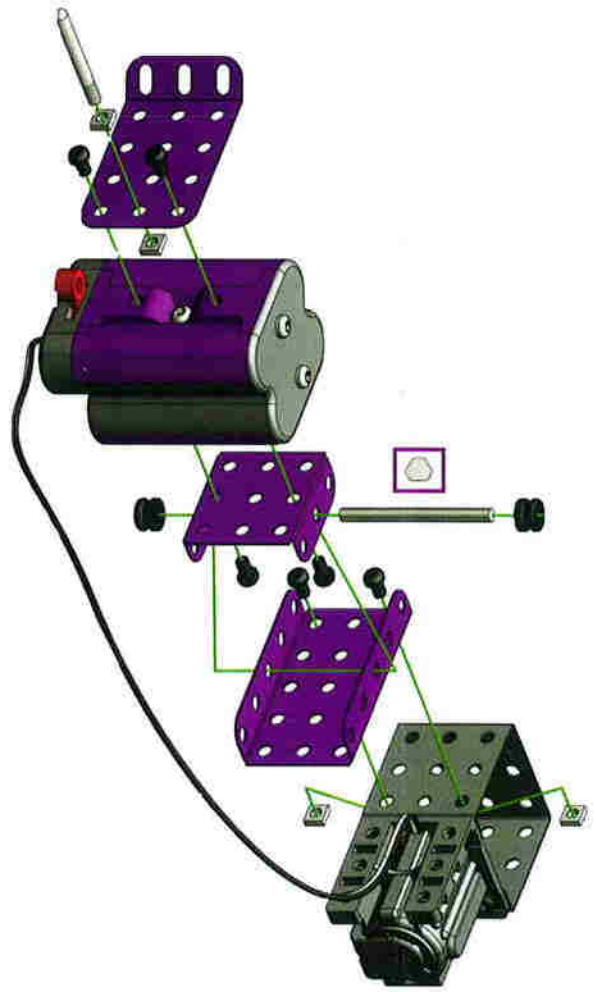
- 23**
-  x1
 -  x1
 -  x1
 -  x3
 -  x3
- 5.8 mm
1/4"





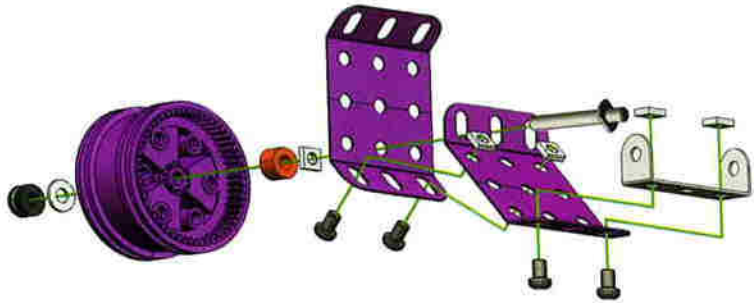
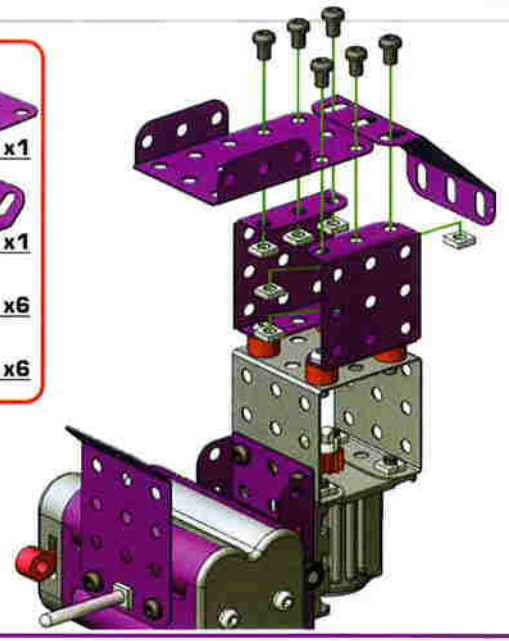
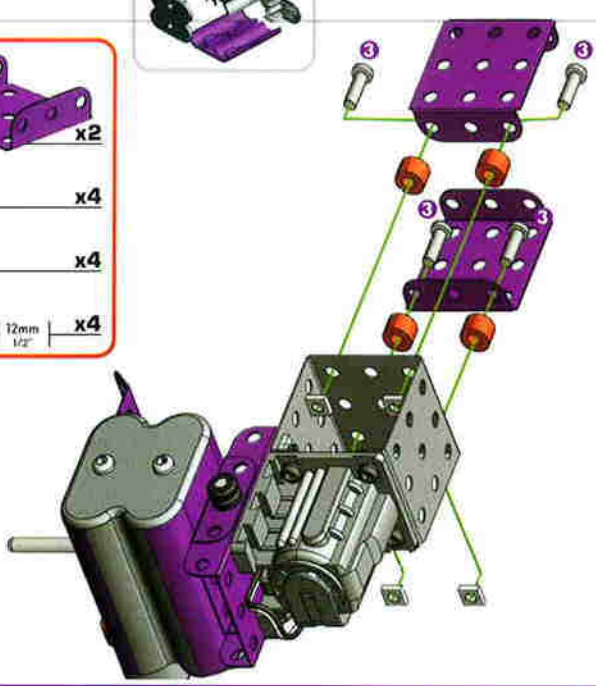
- x1
- x1
- x1
- x1
- x1
- x4
- x4

- x1
- x1
- x1
- x1
- x1
- x2
- x4
- x6



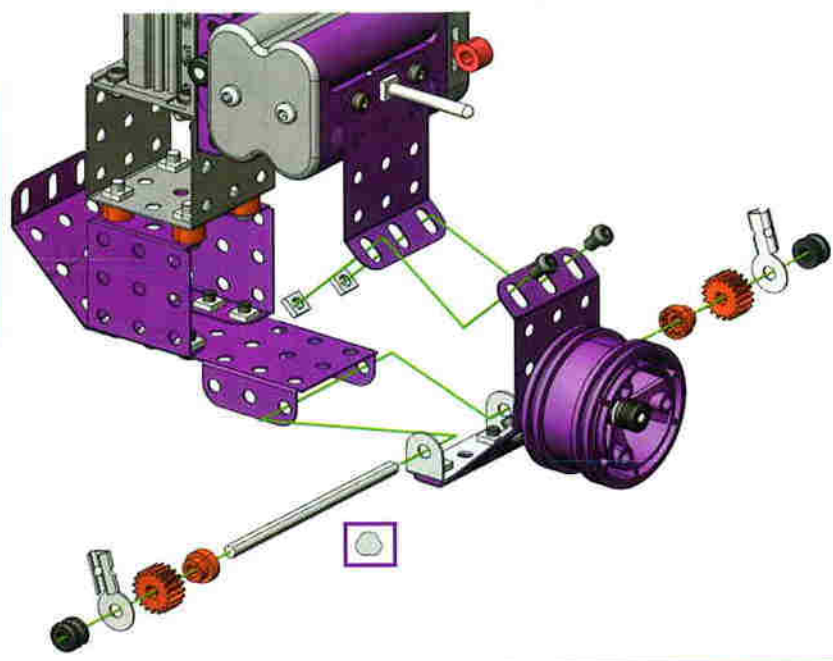
- x2
- x4
- x4
- x4

- x1
- x1
- x6
- x6

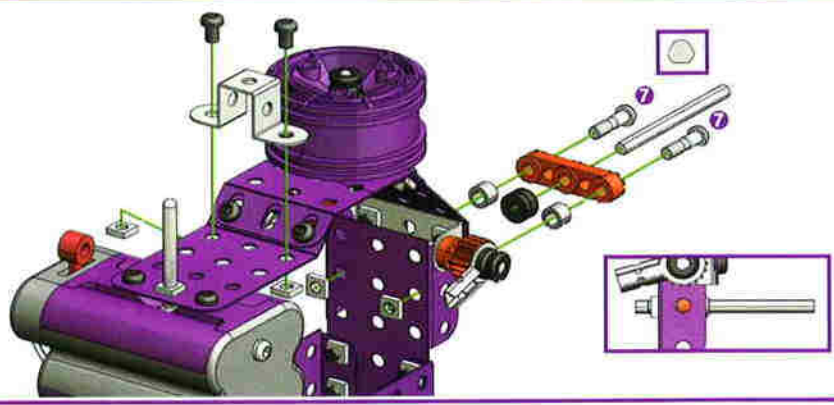


- 5**
- x2
 - x1
 - x1
 - x1
 - x1
 - x6
 - x1
 - x1
 - x4
 - x1

- 6**
- 75 mm x1
 - x2
 - x2
 - x2
 - x2
 - 5,8 mm 15/64 x2
 - x2



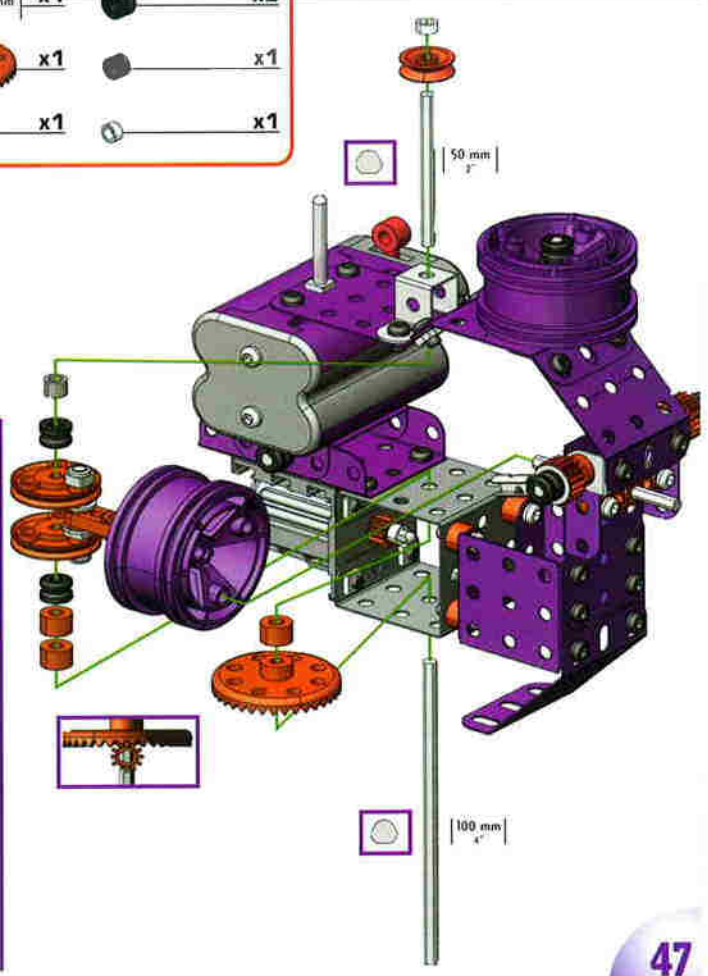
- 7**
- 50 mm x1
 - x1
 - x1
 - x1
 - x1
 - 14,7 mm 9/16 x2
 - 5,8 mm 15/64 x2
 - x2
 - x4
 - x2



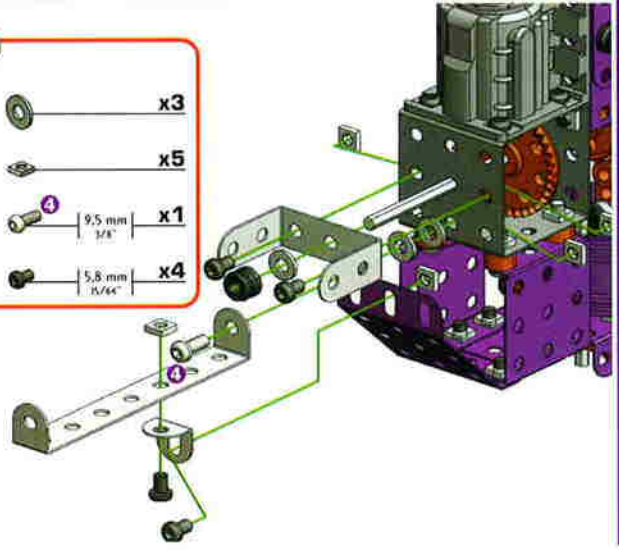
- 8**
- x1
 - x1
 - x2
 - x1
 - x2
 - x1
 - x1
 - 28 mm 1 1/8 x1
 - 9,5 mm 3/8 x1
 - x1
 - x1
 - x2
 - x1
 - x1
 - x1



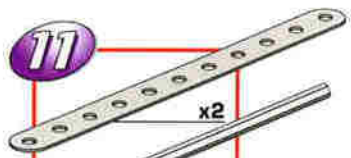
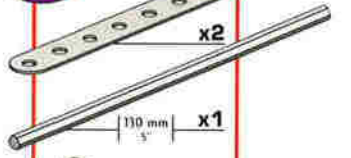
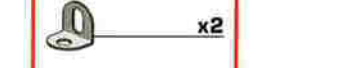
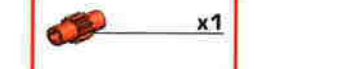
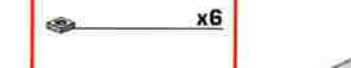

- 9**
- 100 mm x1
 - 50 mm x1
 - x1
 - x1
 - x1
 - x3
 - x2
 - x1
 - x1

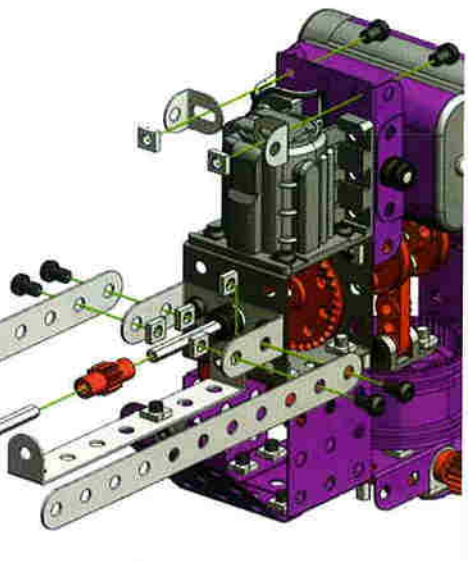


- 10**
- x1
 - x1
 - x1
 - x1
 - x3
 - x5
 - 9,5 mm 3/8 x1
 - 5,8 mm 15/64 x4

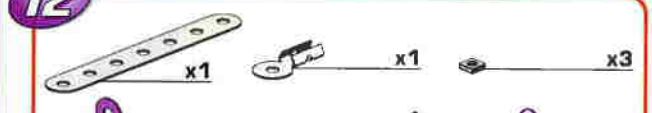










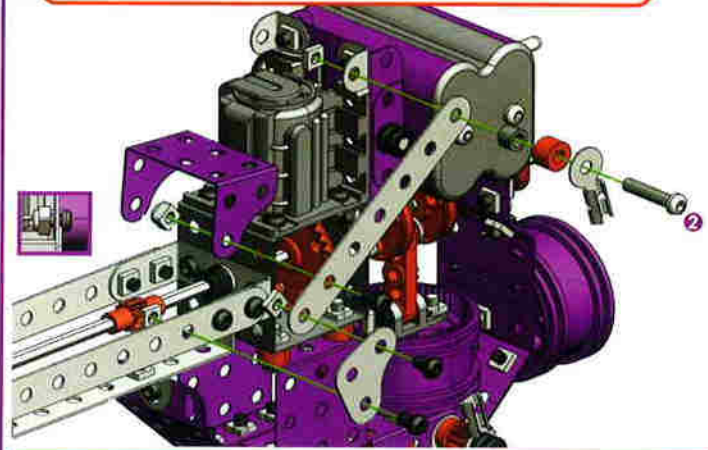
11

-  x2
-  110 mm / 5" x1
-  x2
-  x1
-  x6
-  5,8 mm / 9/64" x6




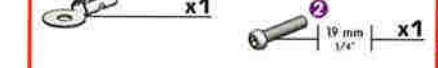






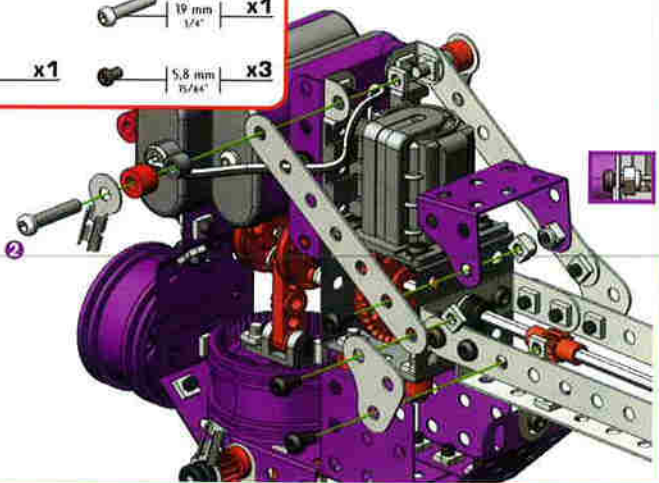
12

-  x1
-  x1
-  x3
-  x1
-  x1
-  x1
-  19 mm / 3/4" x1
-  x1
-  5,8 mm / 9/64" x3





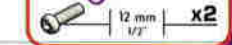


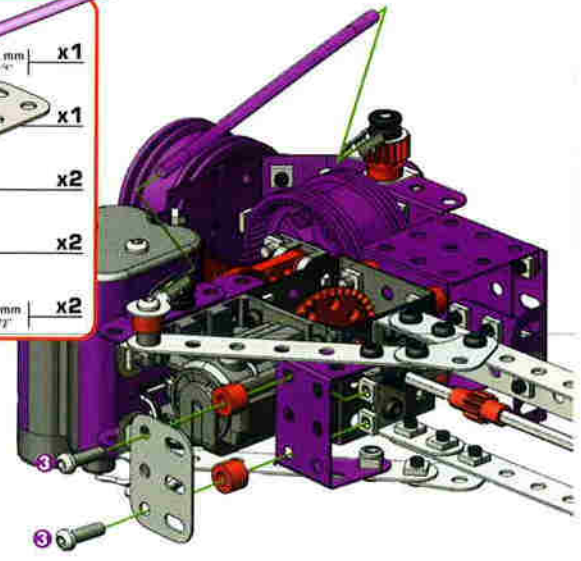
13

-  x1
-  x1
-  x1
-  x3
-  x1
-  19 mm / 3/4" x1
-  x1
-  5,8 mm / 9/64" x3

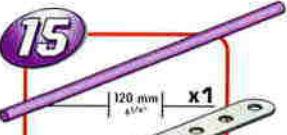


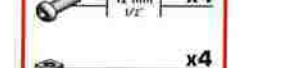



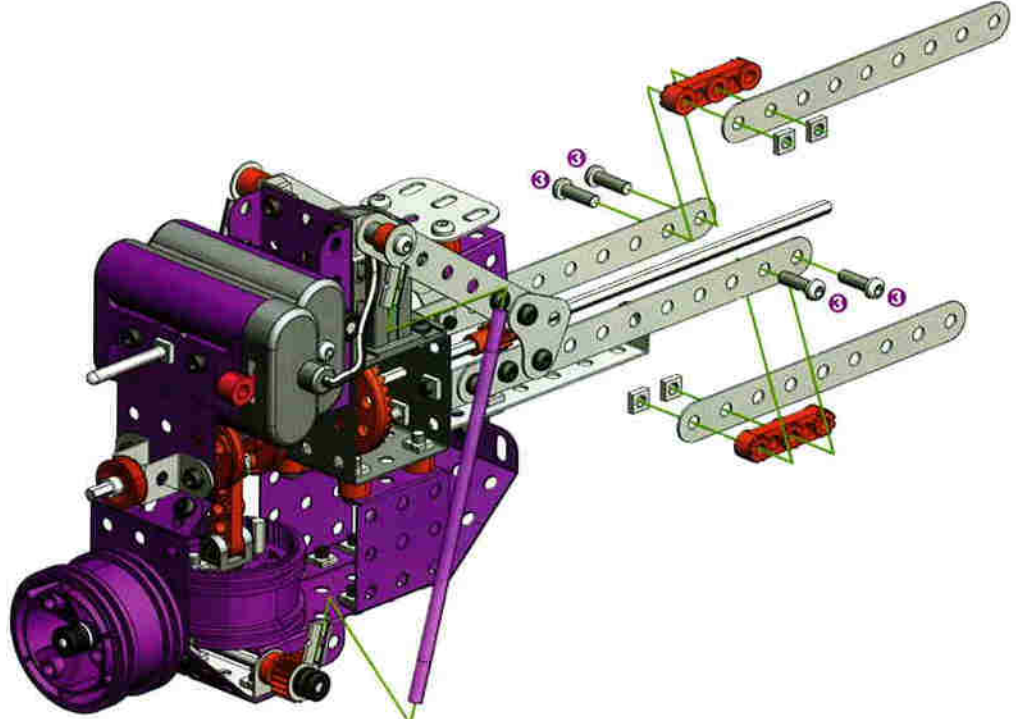
14

-  120 mm / 4 7/8" x1
-  x1
-  x2
-  x2
-  12 mm / 1/2" x2

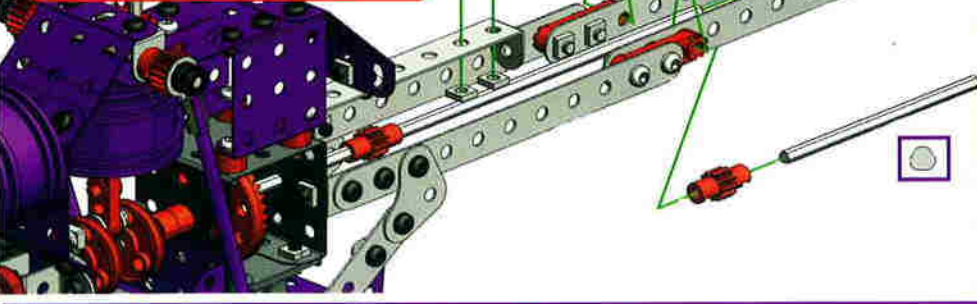


15

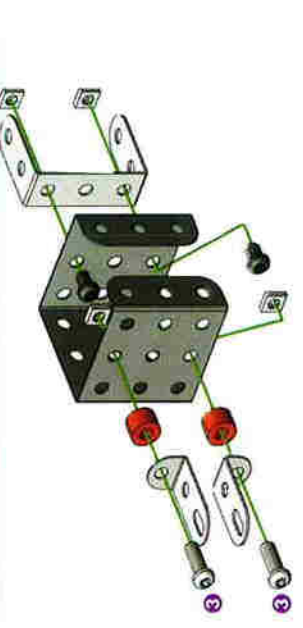
-  120 mm / 4 7/8" x1
-  x2
-  x2
-  12 mm / 1/2" x4
-  x4



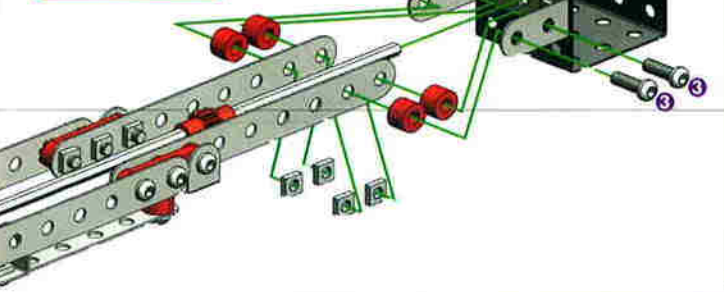
- 16**
- x1
 - x1
 - 75 mm x1
 - x1
 - x1
 - x1
 - x2
 - x1
 - x5
 - 19 mm 3/4" x1
 - 12 mm 1/2" x2
 - 5,8 mm 5/64" x2



- 17**
- x1
 - x1
 - x2
 - x2
 - x4
 - 12 mm 1/2" x2
 - 5,8 mm 5/64" x2



- 18**
- x4
 - x1
 - x1
 - x4
 - 12 mm 1/2" x4



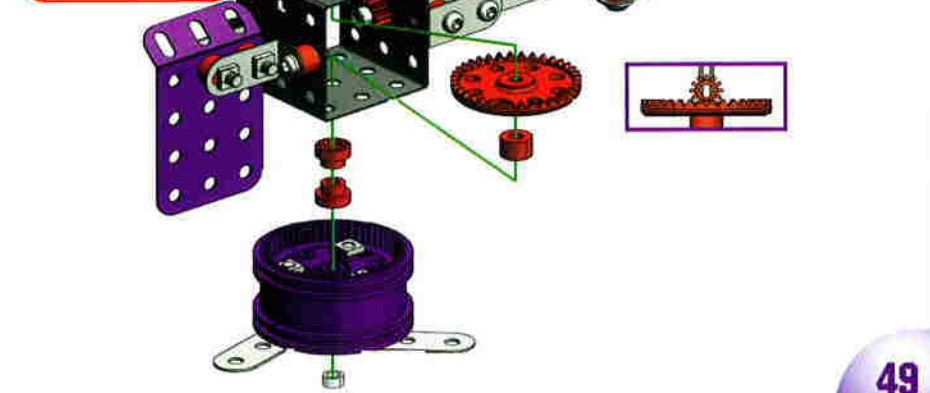
- 19**
- x1
 - x1
 - x4
 - x4
 - 19 mm 3/4" x2
 - 9,5 mm 1/8" x2




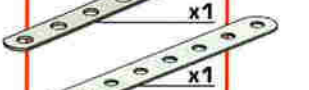







- 20**
- x1
 - x3
 - x1
 - x3
 - 23 mm 29/32" x3

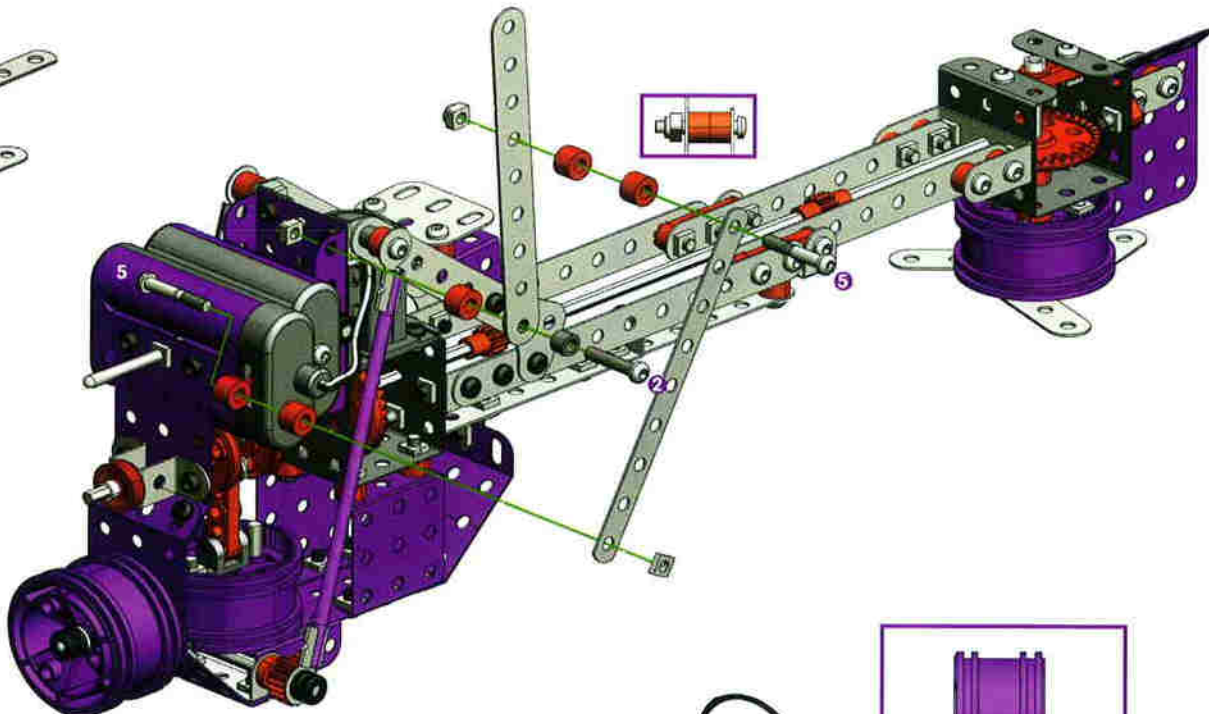


- 21**
- 75 mm x1
 - x1
 - x1
 - x2
 - x2









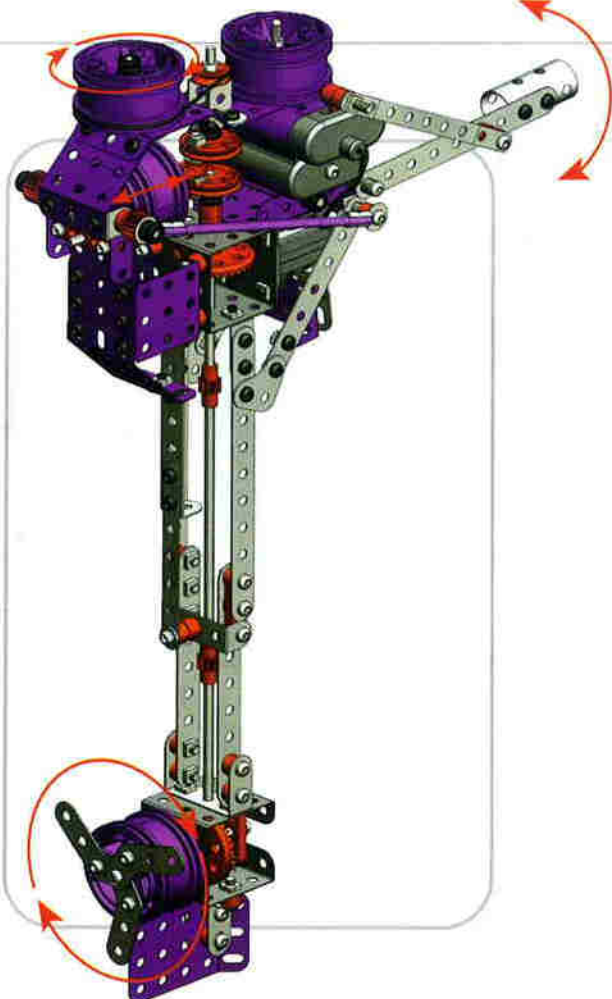
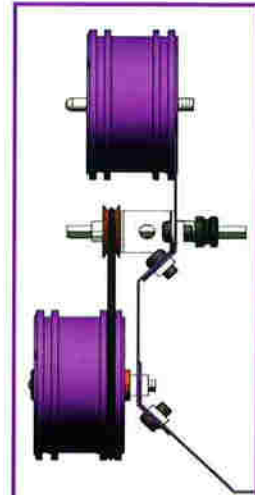
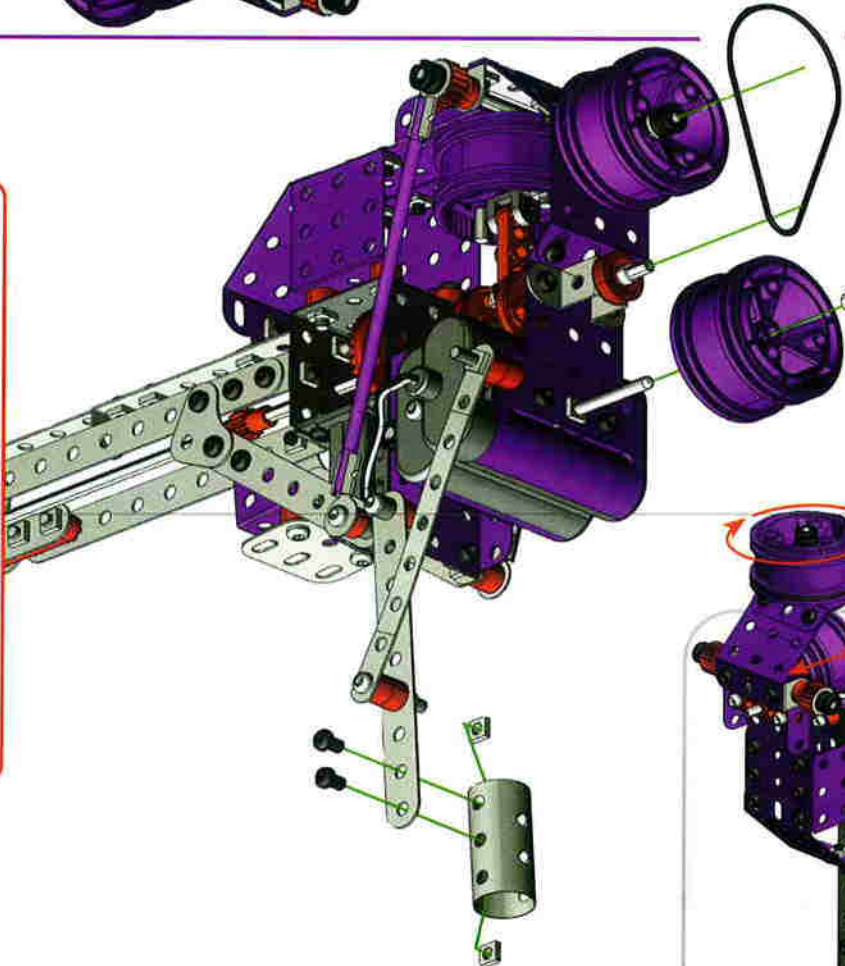
22

-  x1
-  x1
-  x4
-  x1
-  x2
-  x1
-  x2
-  x2
-  x1



23

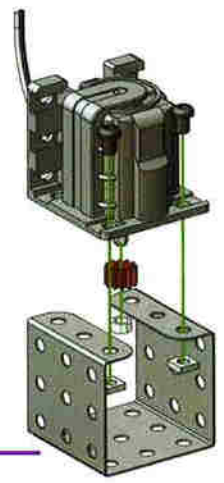
-  x1
-  x1
-  x1
-  x1
-  x2
-  x2





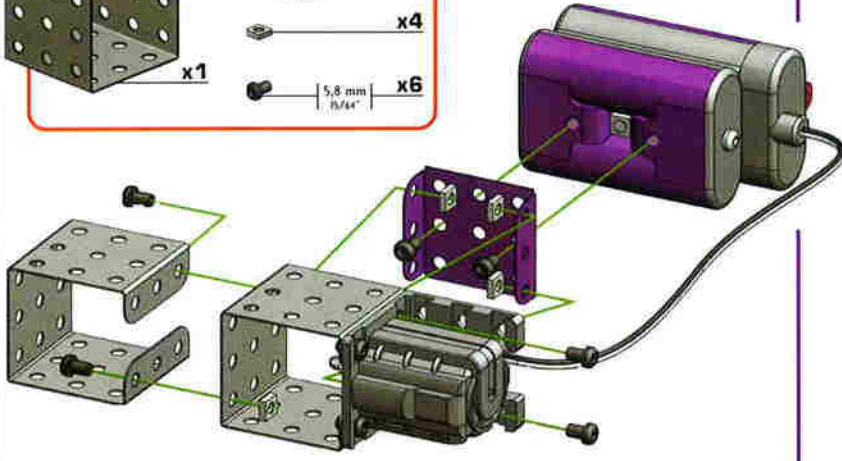
7

- x1
- x1
- x1
- x2
- x1
- x1
- x2
- 5,8 mm 5/64"



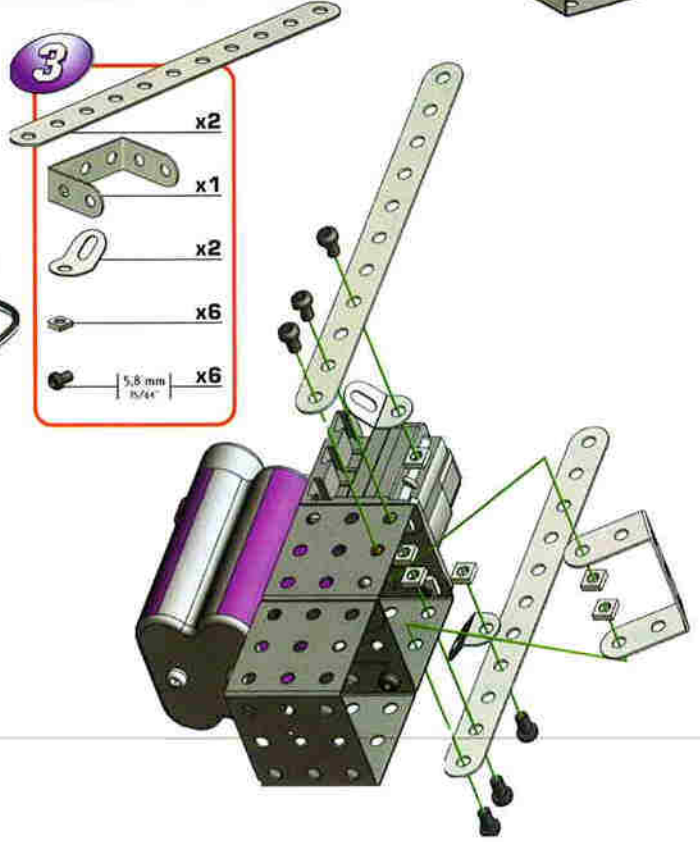
2

- x1
- x1
- x4
- x6
- 5,8 mm 5/64"



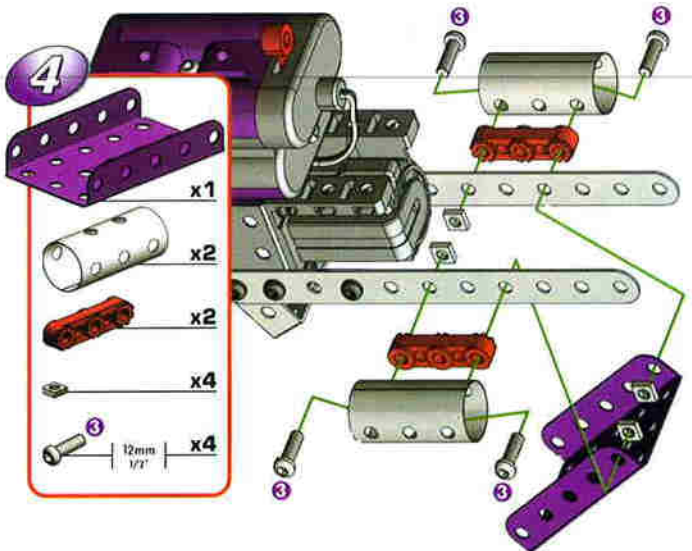
3

- x2
- x1
- x2
- x6
- x6
- 5,8 mm 5/64"



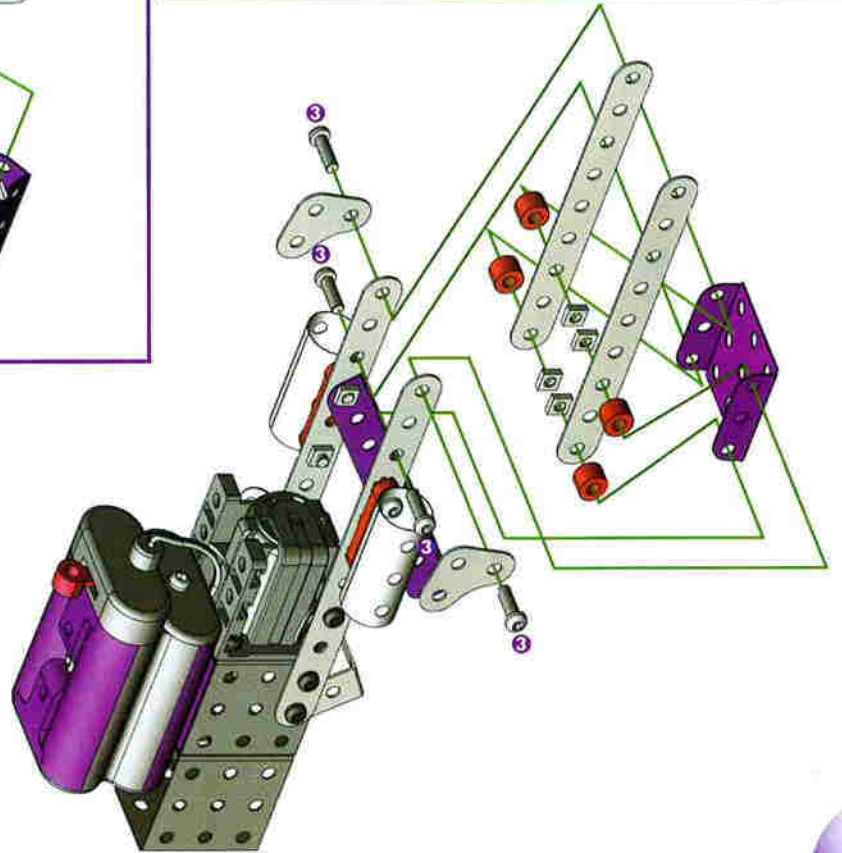
4

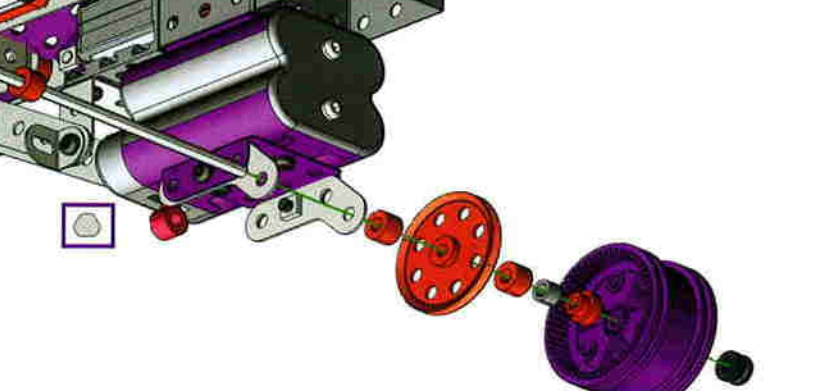
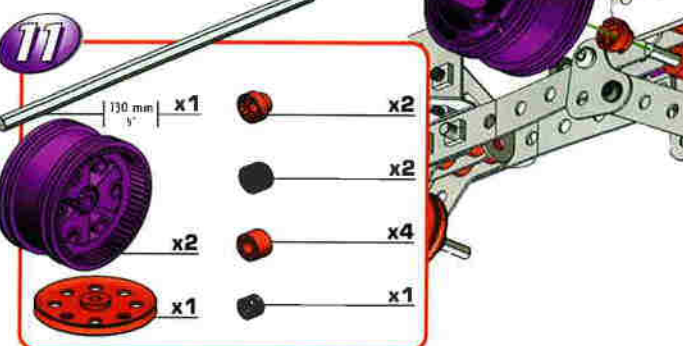
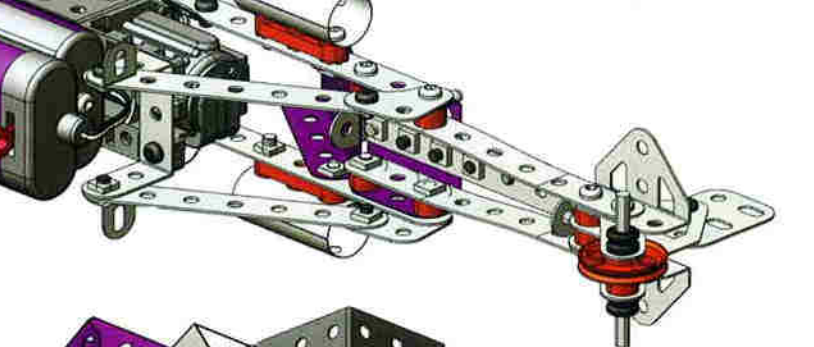
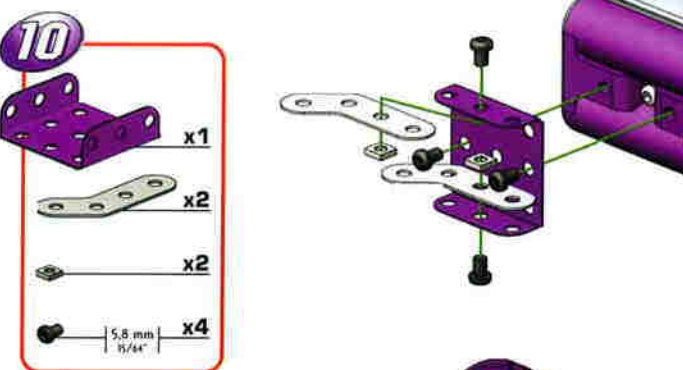
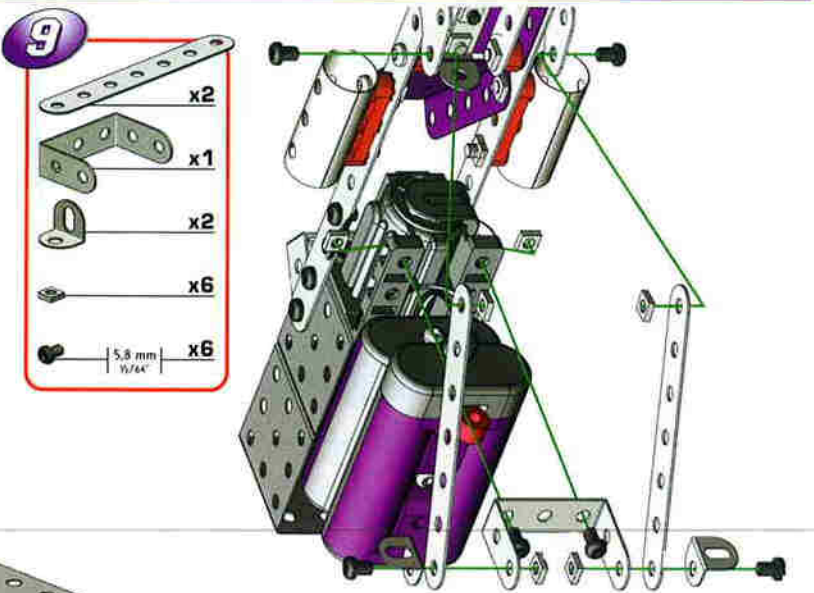
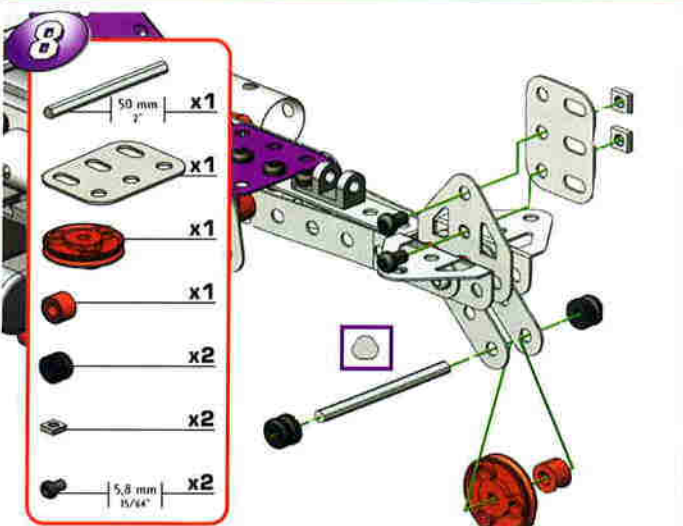
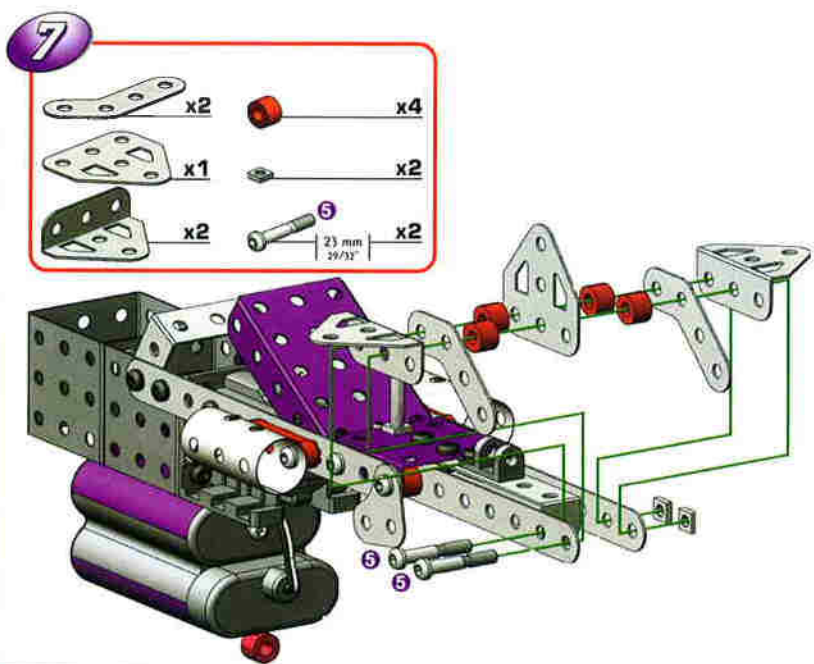
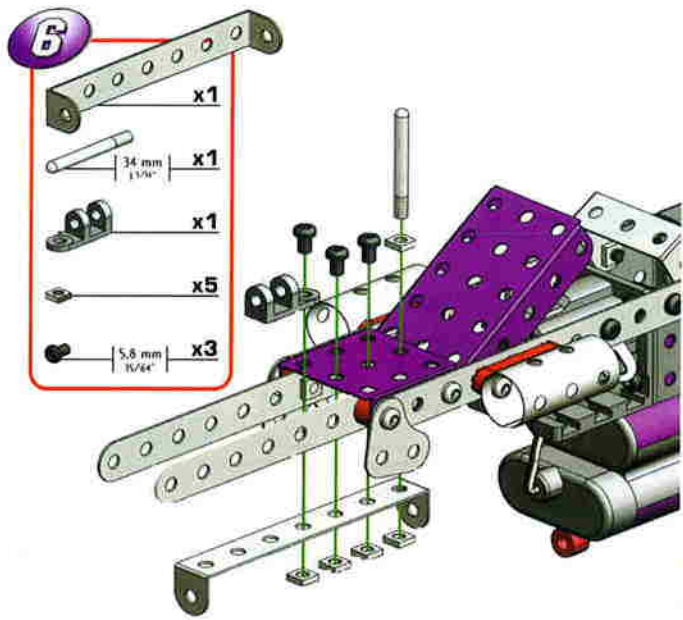
- x1
- x2
- x2
- x4
- x4
- 12mm 1/2"




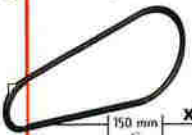


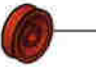



5

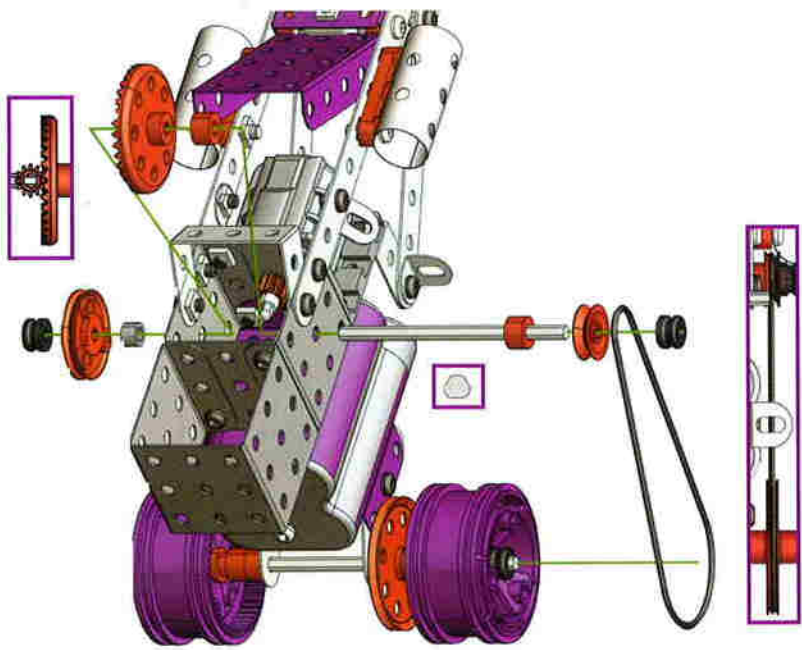
- x2
- x1
- x4
- x4
- x4
- 12mm 1/2"















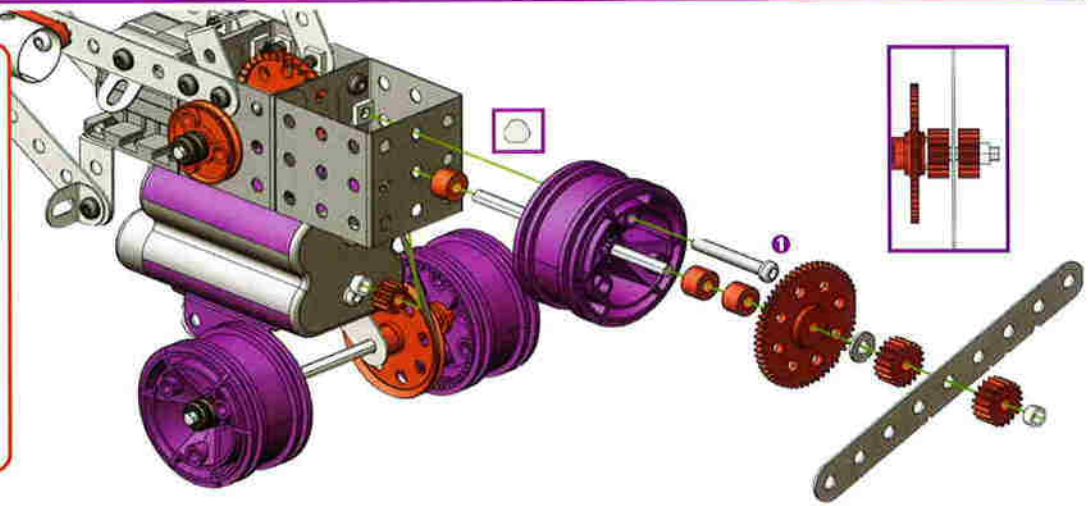
12

-  75 mm $\frac{1}{2}$ " x1
-  150 mm $\frac{6}{8}$ " x1
-  x1
-  x1
-  x1
-  x2
-  x2
-  x1


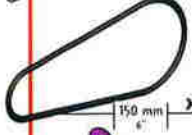











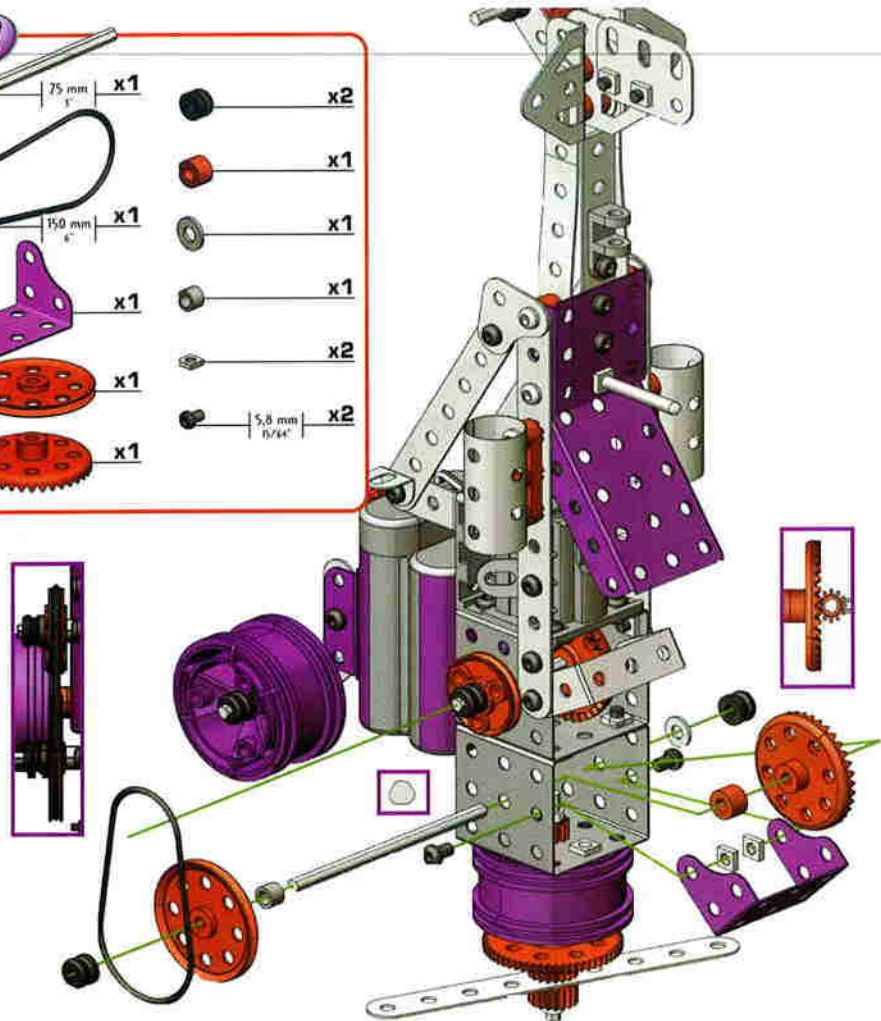
13

-  x1
-  75 mm $\frac{1}{2}$ " x1
-  x1
-  x1
-  x2
-  x1
-  x3
-  x1
-  x2
-  x1
-  x1
-  28 mm $\frac{1}{4}$ " x1










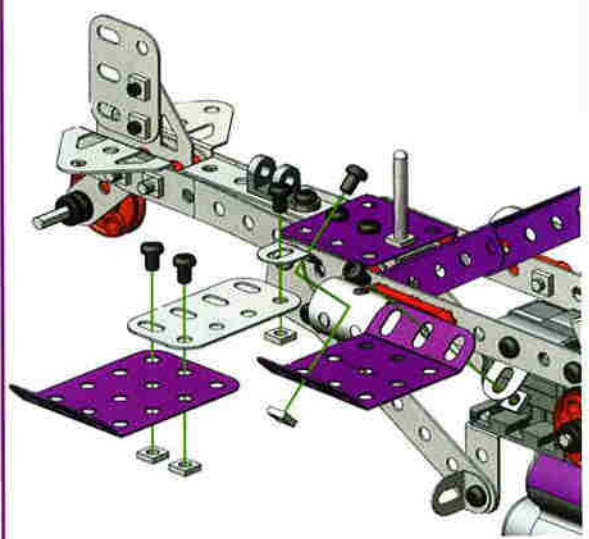
14







-  75 mm $\frac{1}{2}$ " x1
-  150 mm $\frac{6}{8}$ " x1
-  x1
-  x1
-  x1
-  x2
-  x1
-  x1
-  x1
-  x2
-  5.8 mm $\frac{1}{16}$ " x2

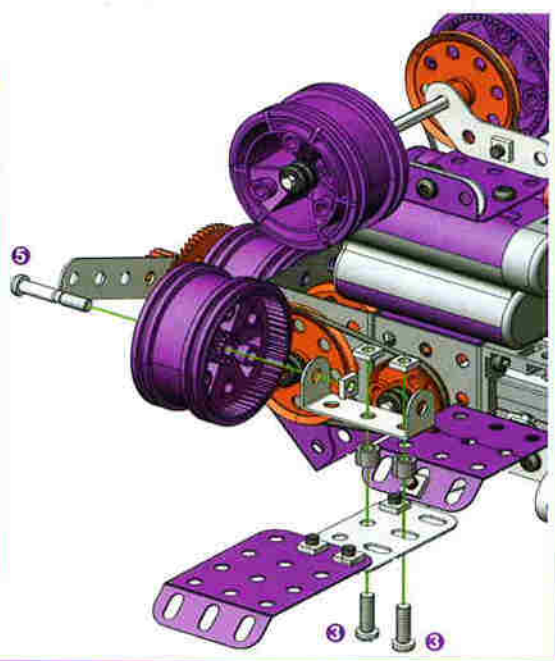


15

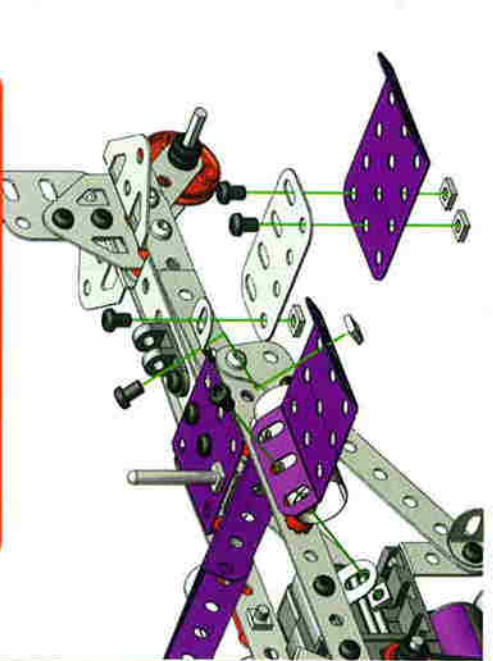
-  x1
-  x1
-  x1
-  x1
-  x1
-  x5
-  5.8 mm $\frac{1}{16}$ " x5






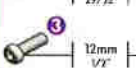


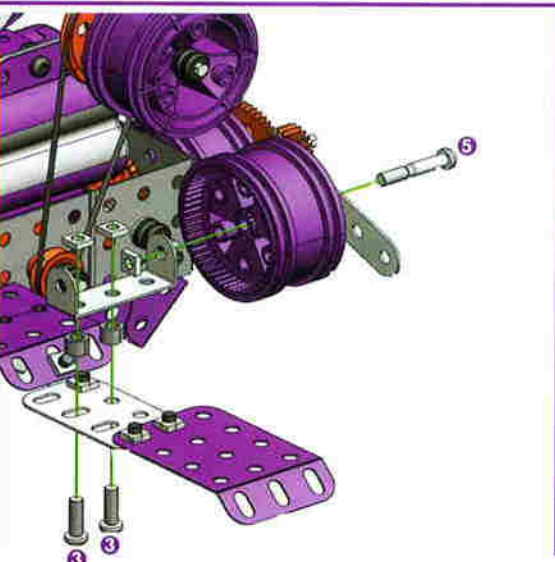
- 16**
-  x1
 -  x1
 -  x2
 -  x3
 -  x1
 -  x2

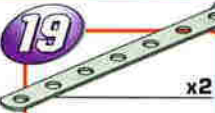



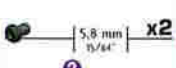



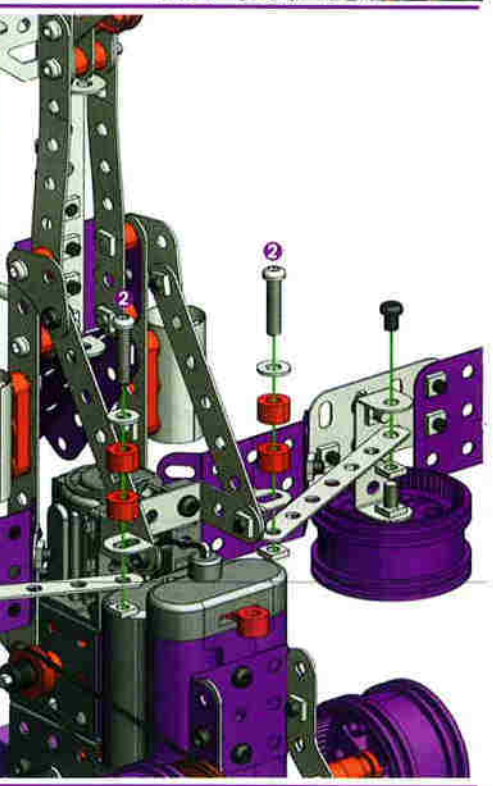
- 17**
-  x1
 -  x1
 -  x1
 -  x1
 -  x5
 -  x5










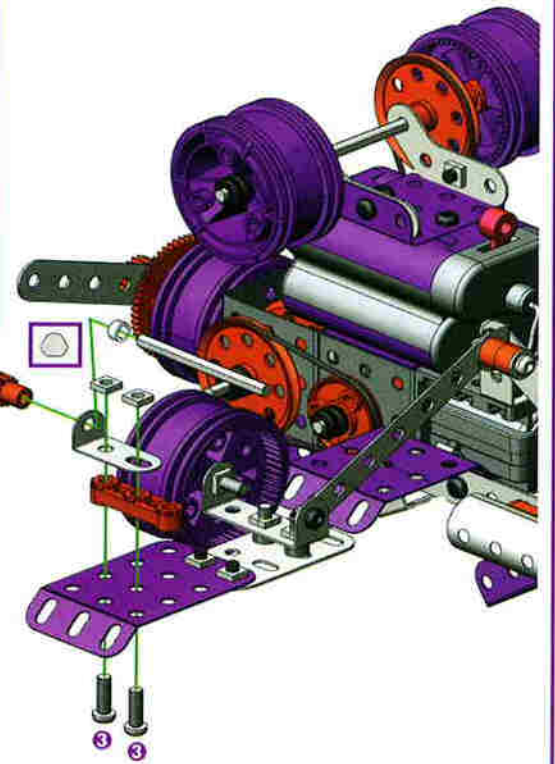
- 18**
-  x1
 -  x1
 -  x2
 -  x3
 -  x1
 -  x2










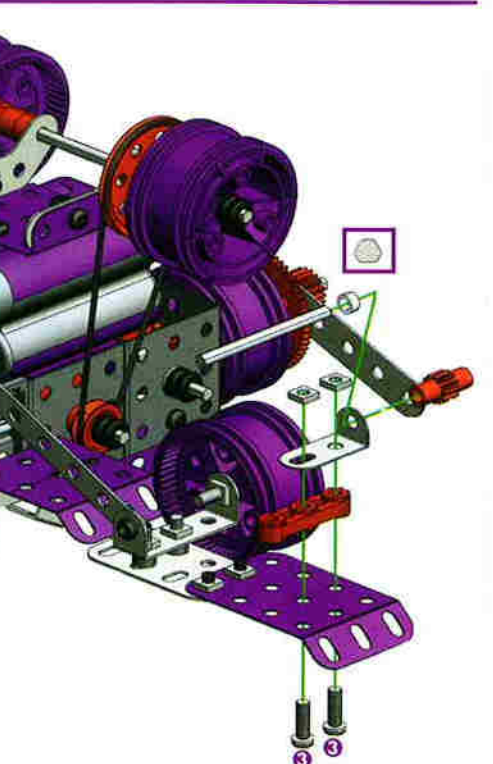
- 19**
-  x2
 -  x4
 -  x2
 -  x4
 -  x2
 -  x2






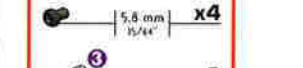



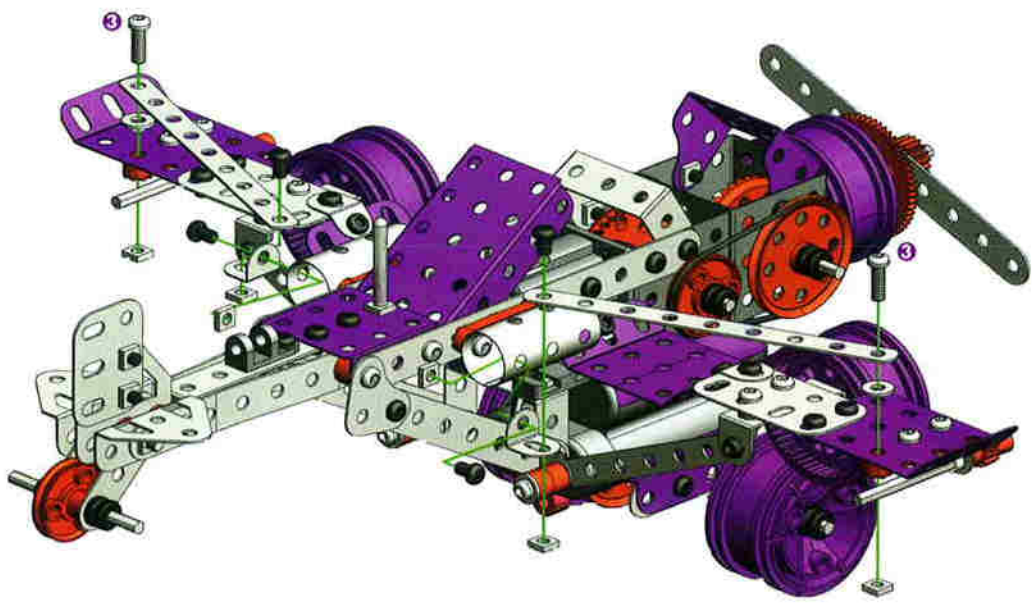
- 20**
-  x1
 -  x1
 -  x1
 -  x1
 -  x1
 -  x2
 -  x2



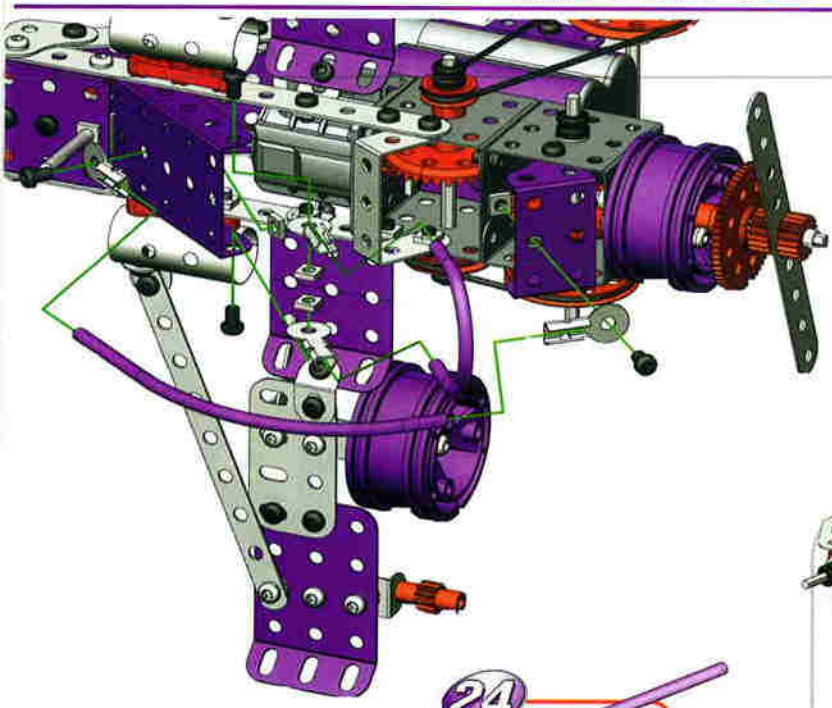
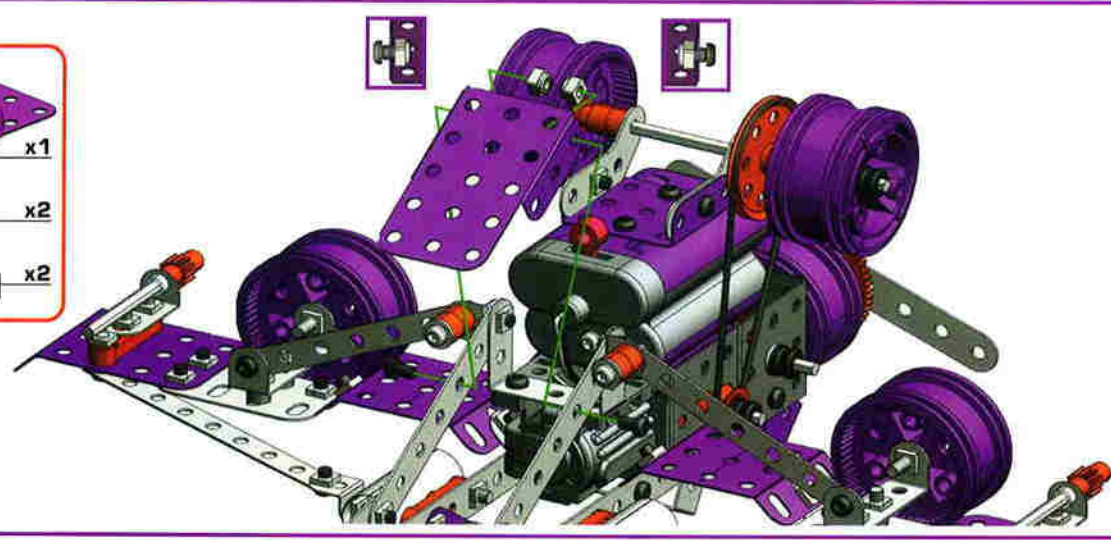
- 21**
-  x1
 -  x1
 -  x1
 -  x1
 -  x1
 -  x2
 -  x2


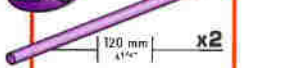

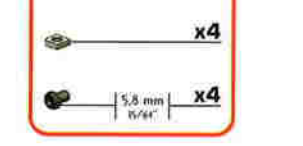


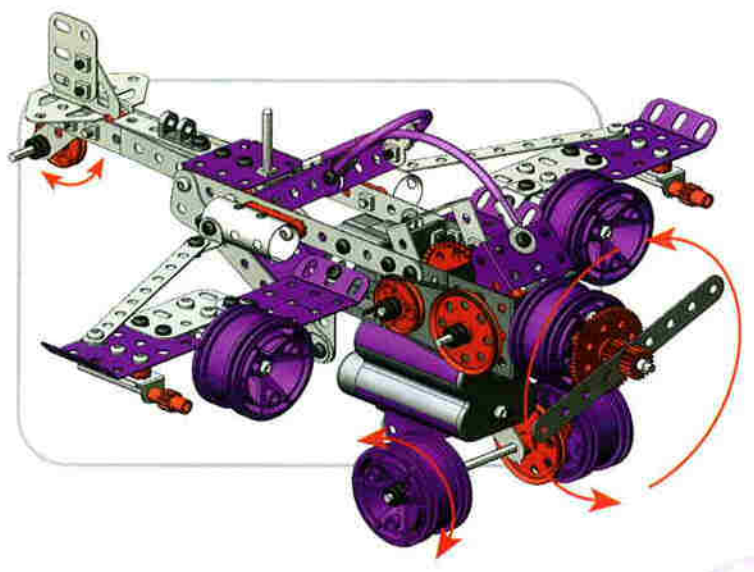
- 22**
-  x2
 -  x2
 -  x2
 -  x6
 -  x4
 -  x4
 -  x2

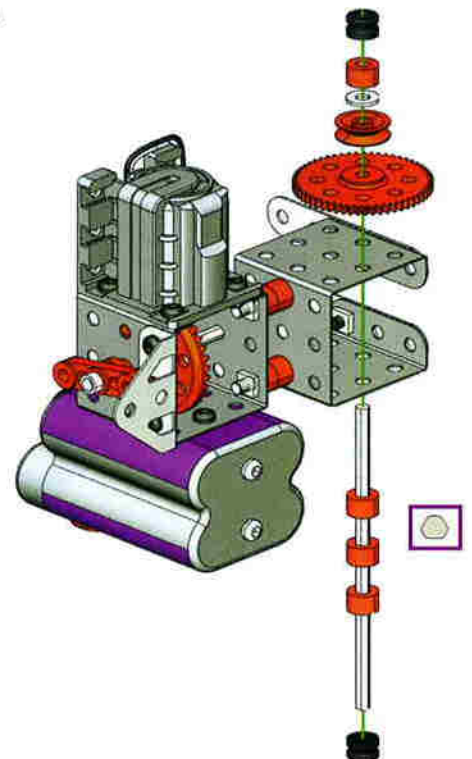
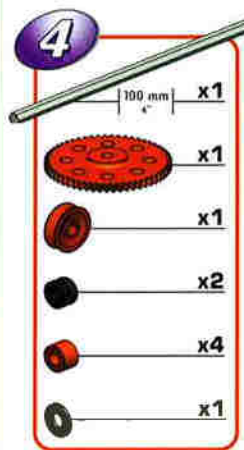
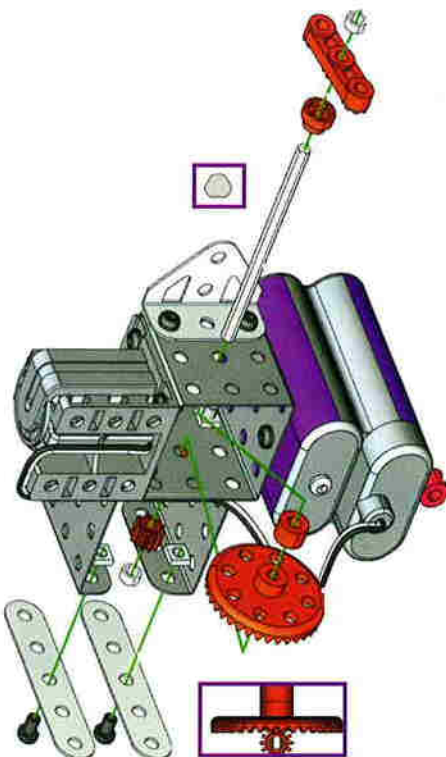
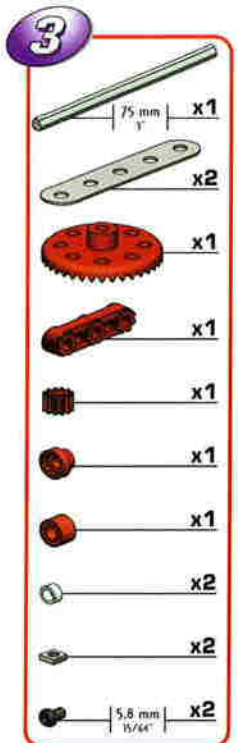
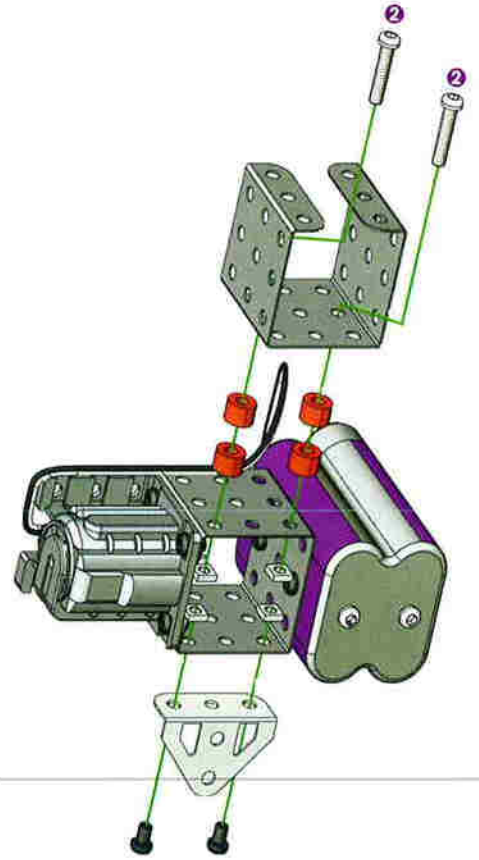
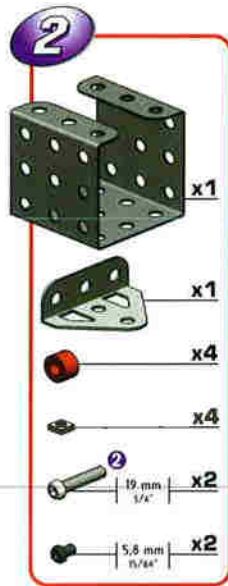
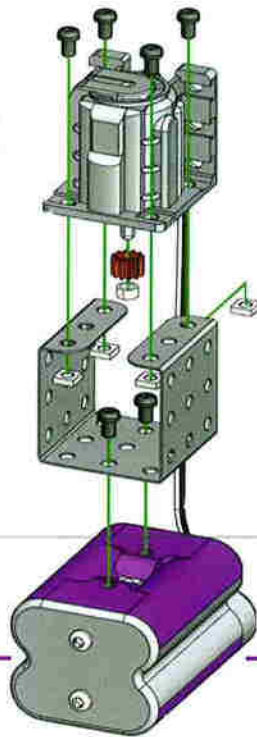
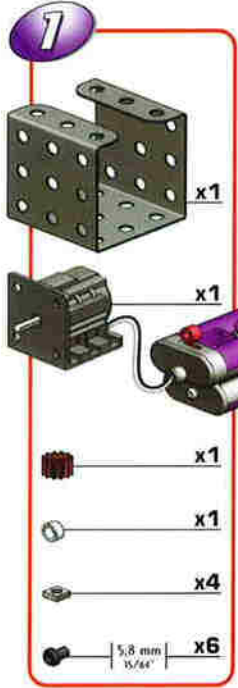


- 23**
-  x1
 -  x2
 -  x2

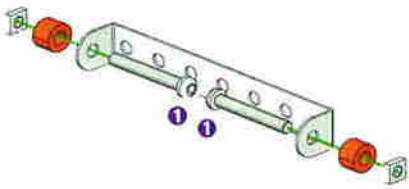


- 24**
-  120 mm (4 11/16") x2
 -  x4
 -  x4
 -  x4

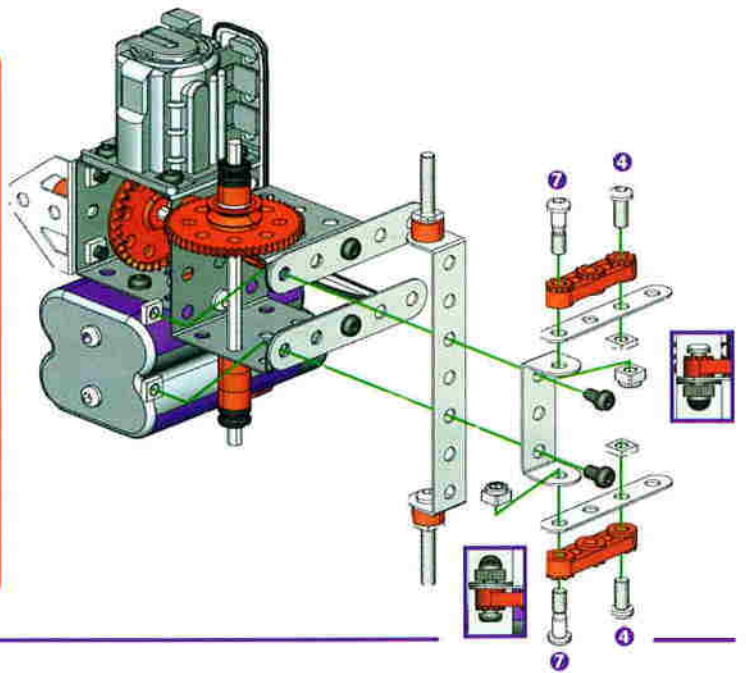




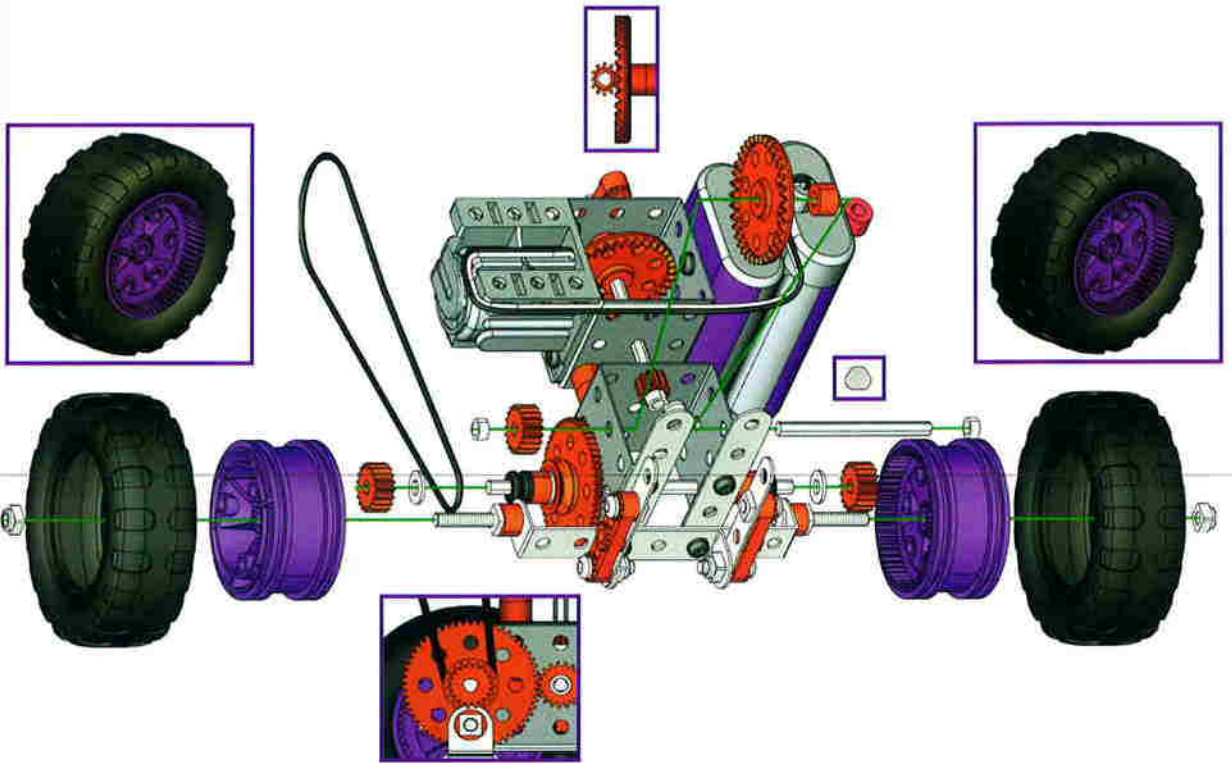
- 5**
- x1
 - x2
 - x2
 - 25 mm $\frac{1}{16}$ " x2



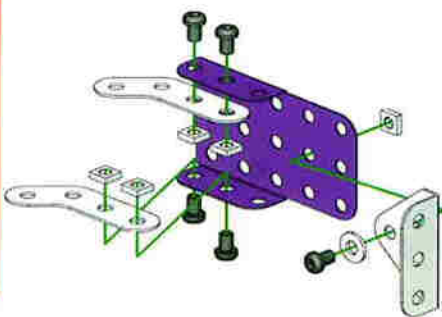
- 6**
- x2
 - x1
 - x2
 - x2
 - x4
 - 14.7 mm $\frac{1}{16}$ " x2
 - 9.5 mm $\frac{1}{8}$ " x2
 - 5.8 mm $\frac{1}{16}$ " x2



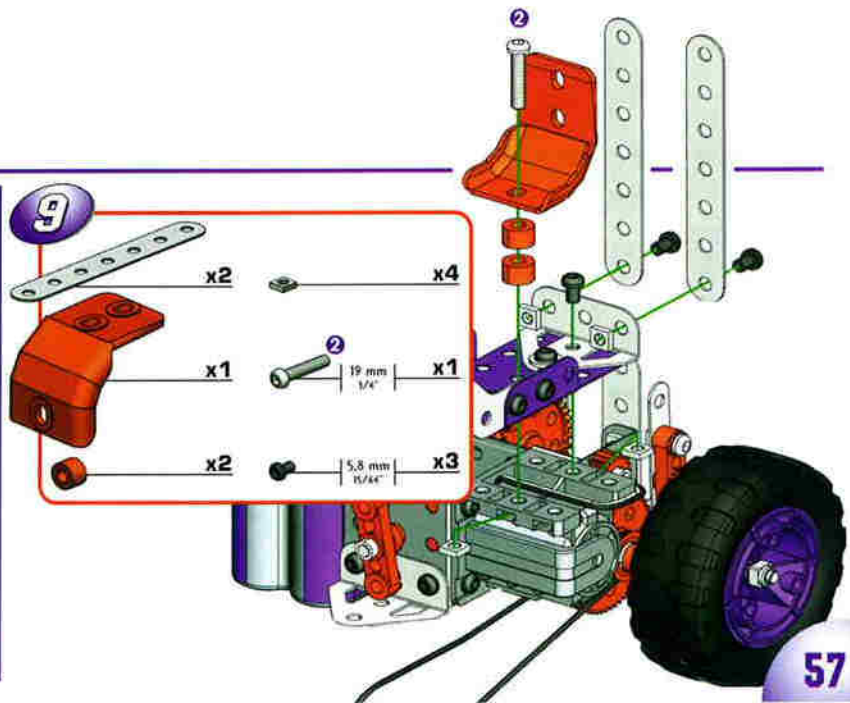
- 7**
- x2
 - x2
 - x1
 - 150 mm x1
 - 50 mm $\frac{1}{2}$ " x1
 - x1
 - x3
 - x1
 - x2
 - x2
 - x2



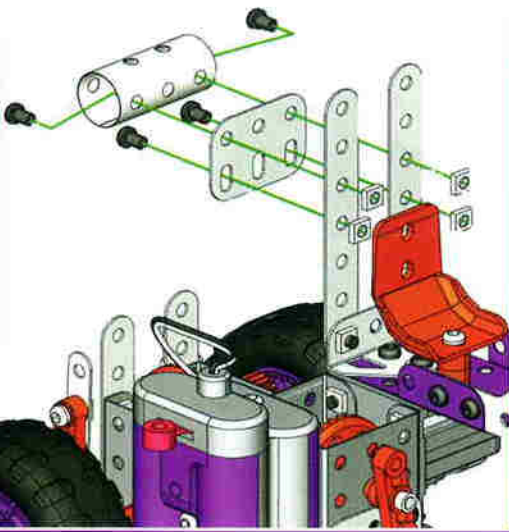
- 8**
- x1
 - x2
 - x1
 - x1
 - x5
 - 5.8 mm $\frac{1}{16}$ " x5



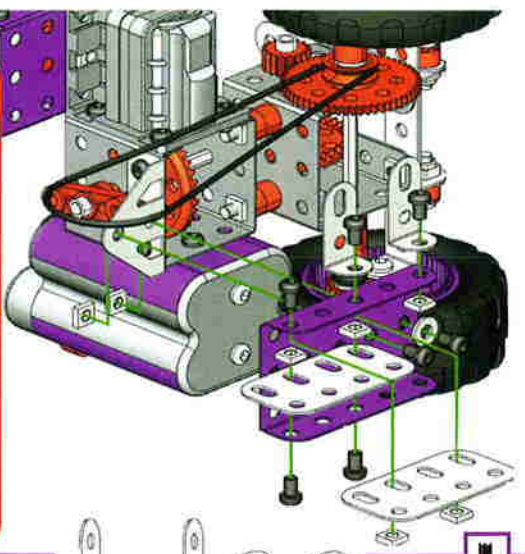
- 9**
- x2
 - x4
 - x1
 - 19 mm $\frac{1}{4}$ " x1
 - x2
 - 5.8 mm $\frac{1}{16}$ " x3



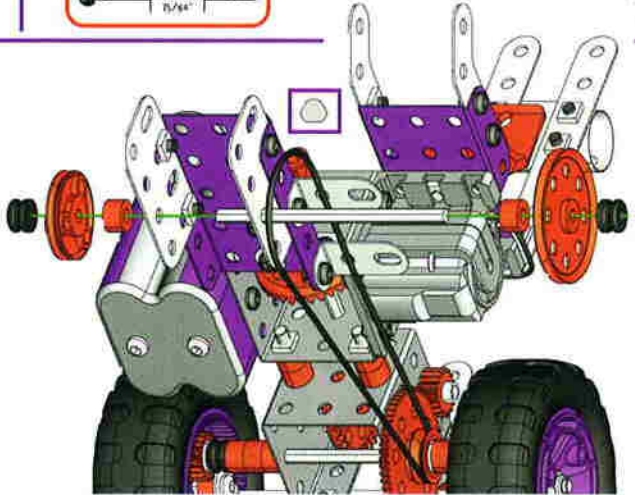
- 10**
- x1
 - x1
 - x4
 - x4



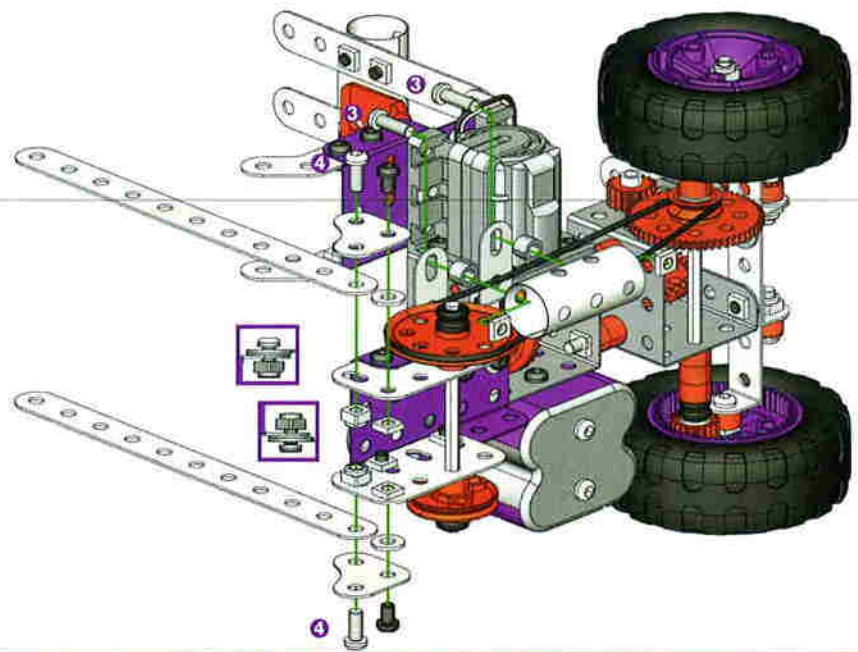
- 11**
- x1
 - x2
 - x2
 - x1
 - x7
 - x7



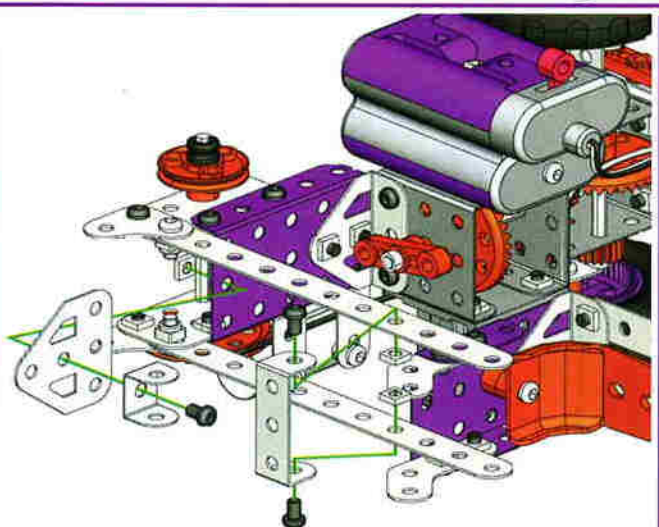
- 12**
- x1
 - x2
 - x1
 - x1
 - x1



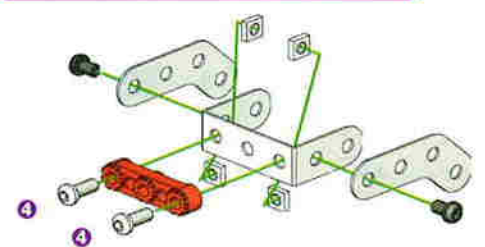
- 13**
- x2
 - x2
 - x1
 - x2
 - x4
 - x2
 - x2
 - x2
 - x2
 - x2



- 14**
- x1
 - x1
 - x1
 - x3
 - x3



- 15**
- x1
 - x2
 - x1
 - x2
 - x2



16

- 50 mm $\frac{1}{2}$ " x1
- Red pulley x1
- White hook x3
- Black bush x1
- Black pin x1
- Black pin x3
- Black pin x3
- 12 mm $\frac{1}{2}$ " x3

17

- 75 mm $\frac{3}{4}$ " x1
- Red pulley x1
- Red gear x1
- Black bush x2
- Black pin x2

18

- White beam x2
- Black pin x2
- Black nut x1
- Black pin x2
- 150 mm 6 " x1
- 50 mm 2 " x1
- Red bush x1
- 23 mm $\frac{9}{16}$ " x1
- 12 mm $\frac{1}{2}$ " x2

19

- Purple L-bracket x1
- White hook x2
- Purple L-bracket x1
- Black pin x6
- 5,8 mm $\frac{5}{64}$ " x6

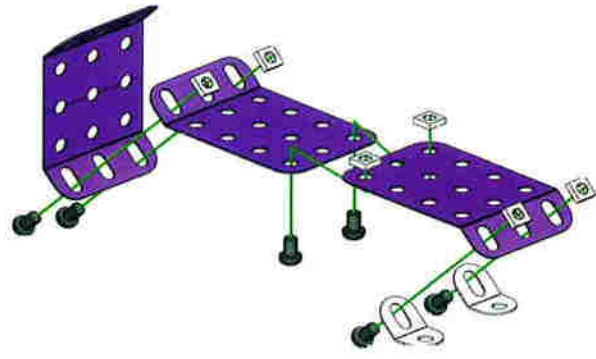
20

- 120 mm $4\frac{1}{2}$ " x2
- White hook x4
- Black pin x4
- Black pin x1
- Black pin x3
- 5,8 mm $\frac{5}{64}$ " x3

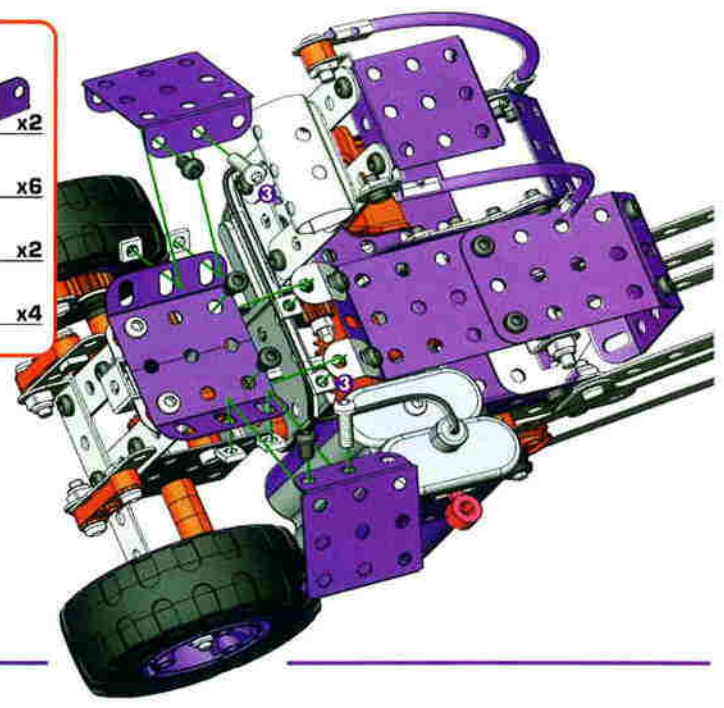
21

- Purple L-bracket x1
- Black nut x1
- Black pin x4
- White hook x2
- 19 mm $\frac{3}{4}$ " x1
- 12 mm $\frac{1}{2}$ " x2
- 5,8 mm $\frac{5}{64}$ " x2

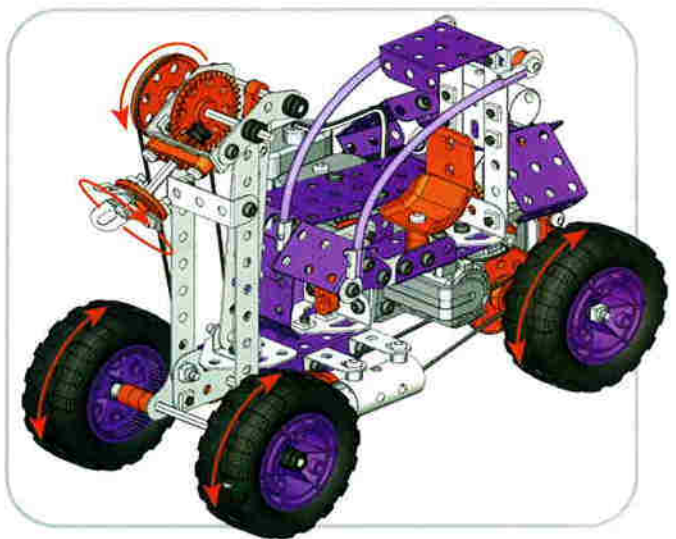
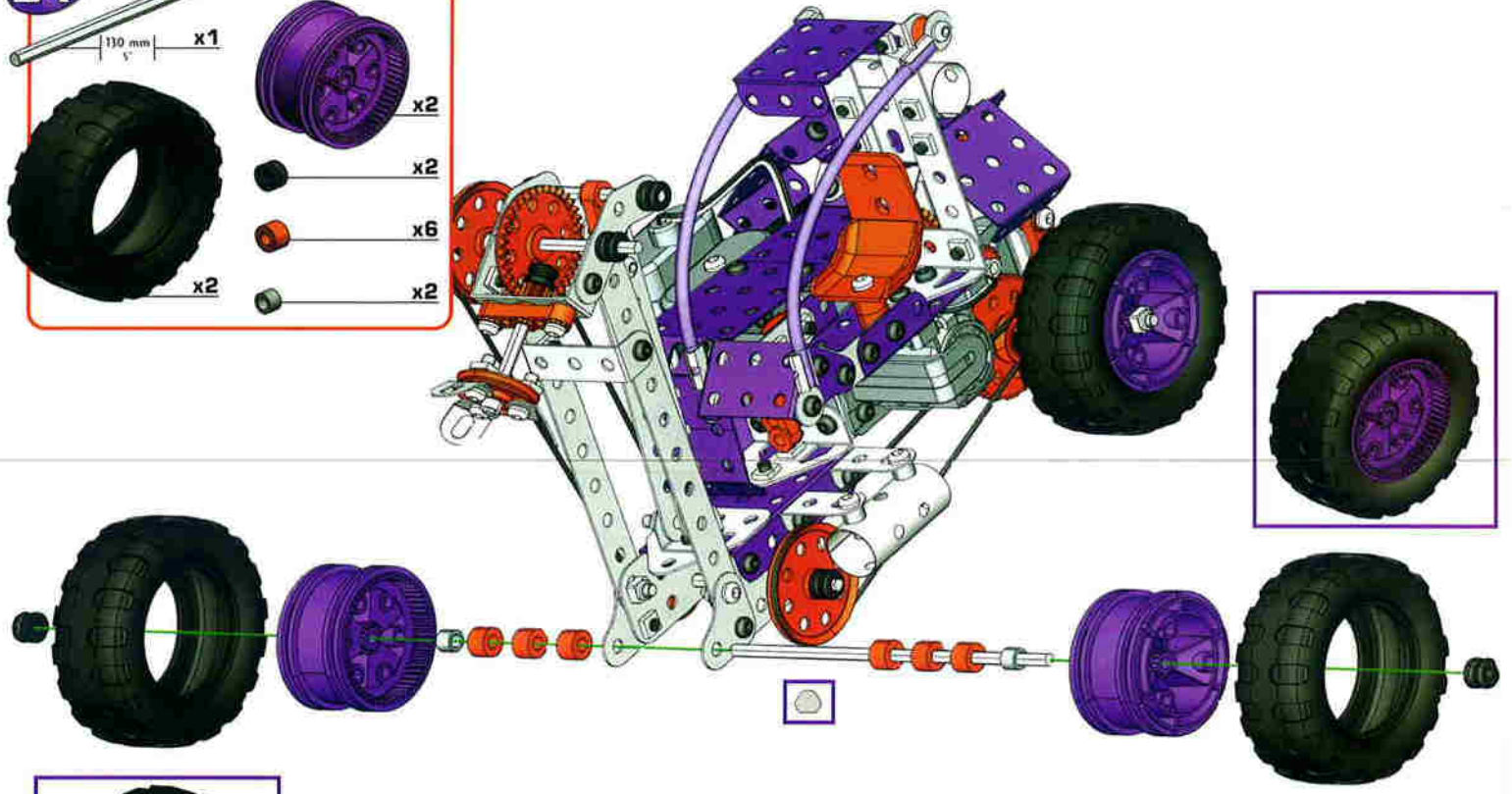
- 22**
- x2
 - x1
 - x2
 - x6
 - x6



- 23**
- x2
 - x6
 - x2
 - x4

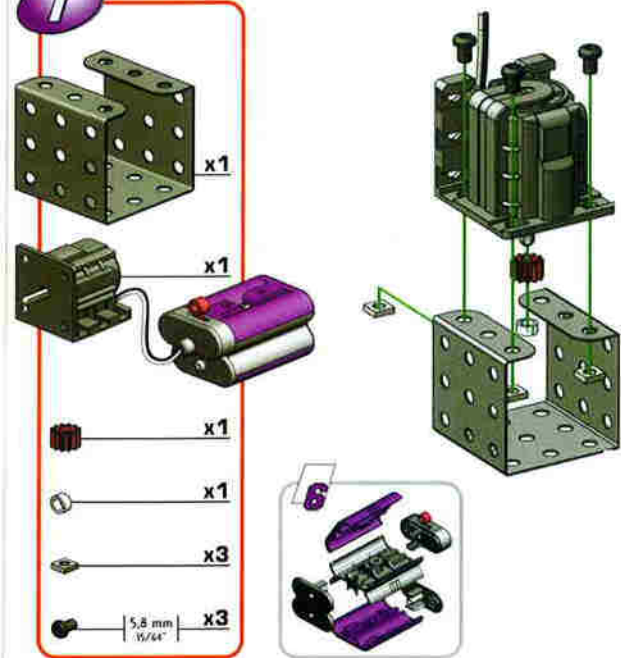


- 24**
- x1
 - x2
 - x2
 - x2
 - x6
 - x2

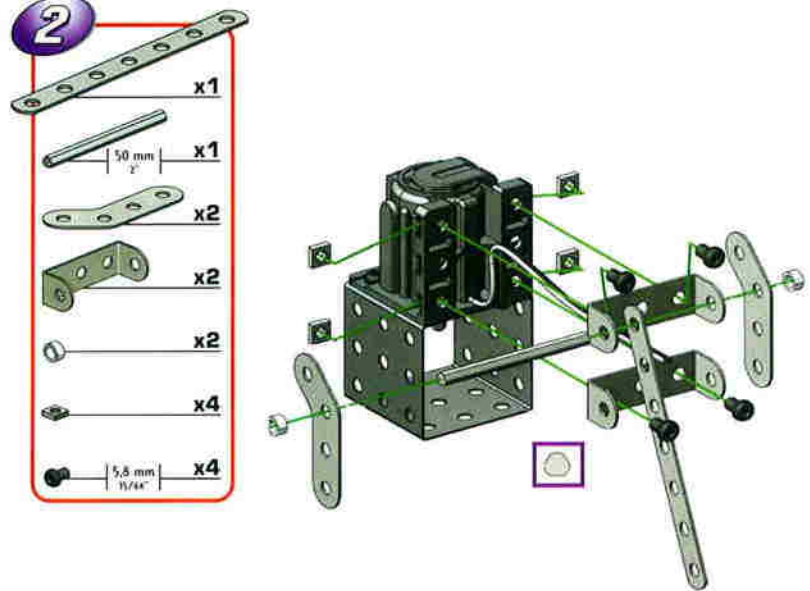




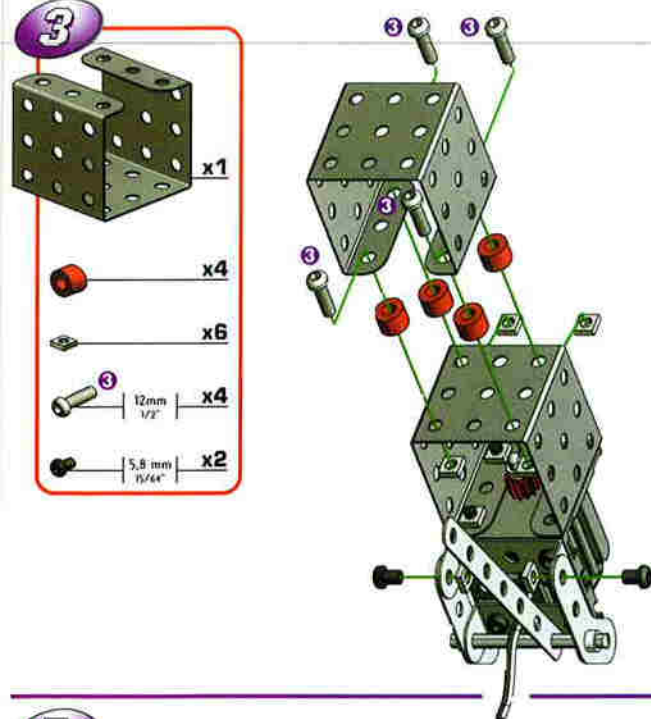
1



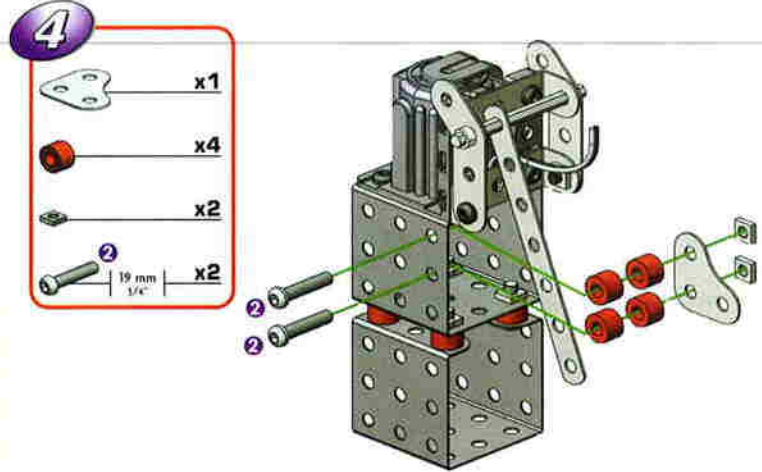
2



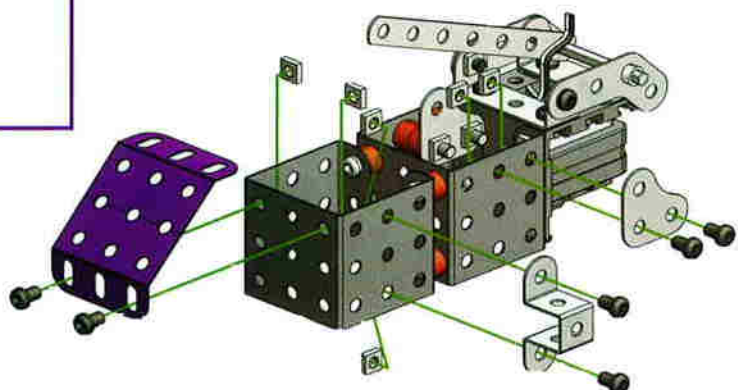
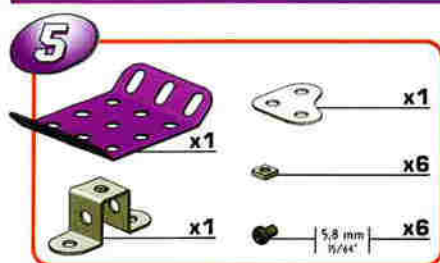
3



4

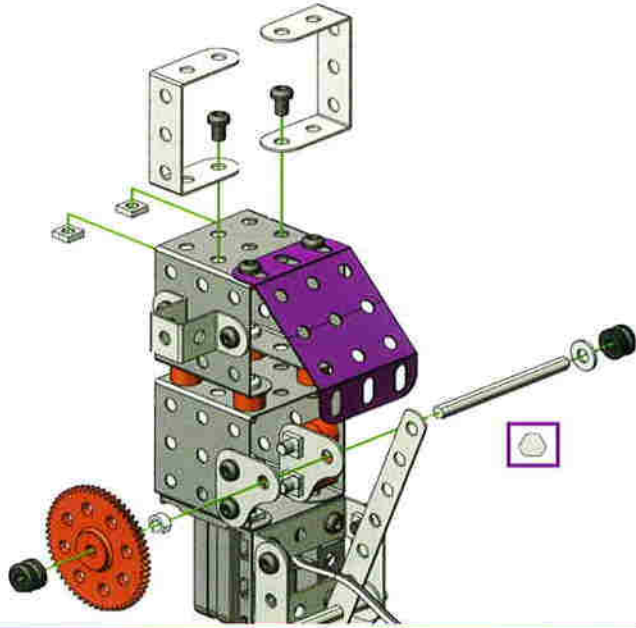


5



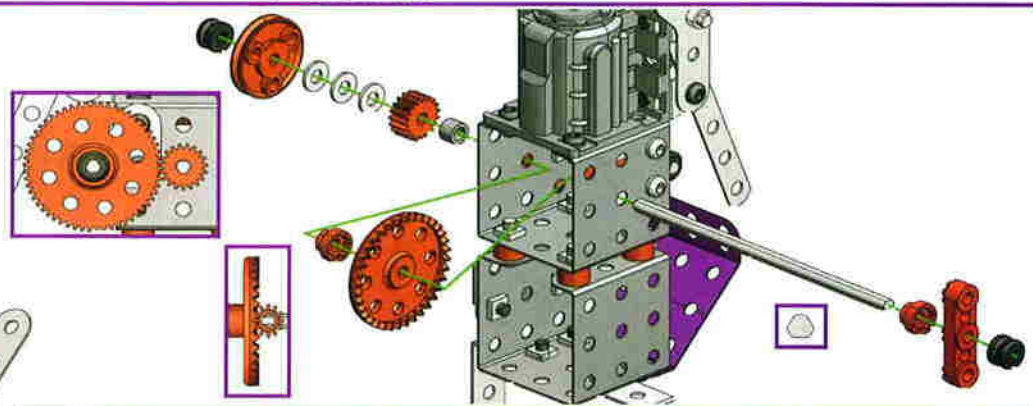
6

- 50 mm x1
- x1
- x2
- x2
- 5,8 mm x2



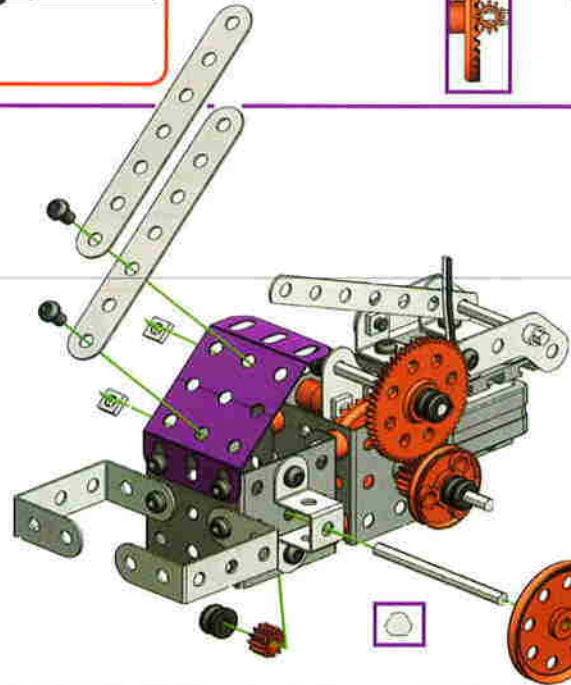
7

- 100 mm x1
- x1
- x1
- x1
- x1
- x2
- x2
- x3
- x1



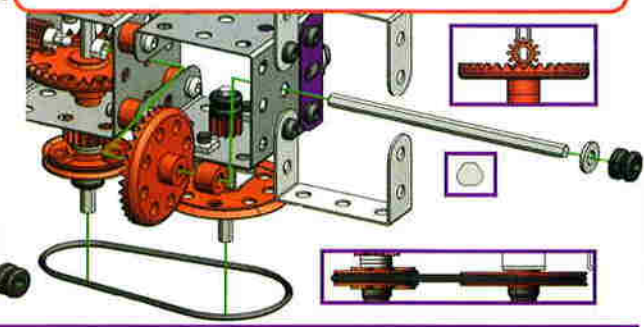
8

- x2
- 50 mm x1
- x1
- x2
- x1
- x2
- 5,8 mm x2



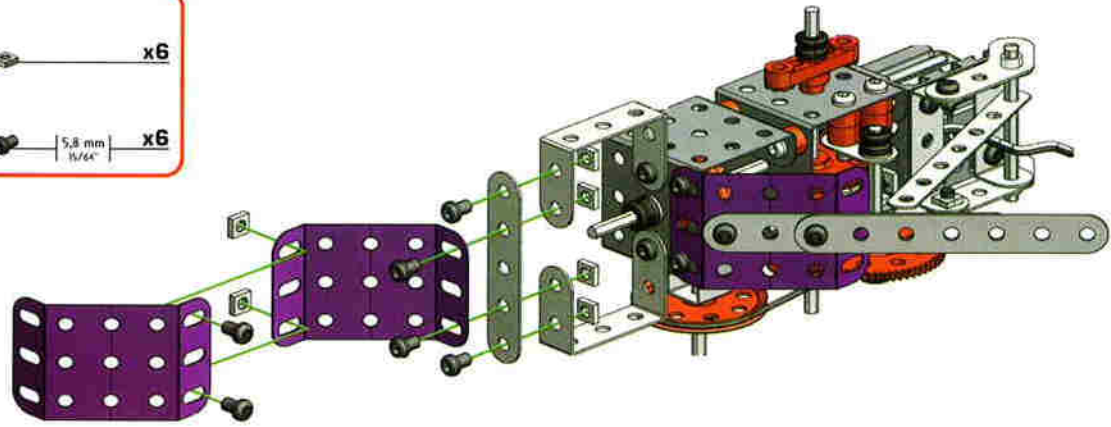
9

- 150 mm x1
- x1
- x1
- x1
- x1
- 75 mm x1

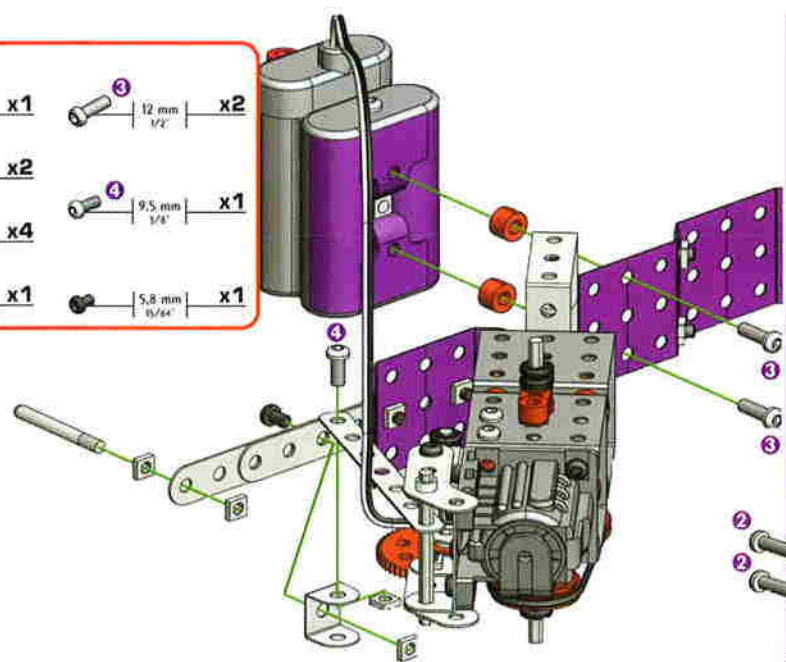


10

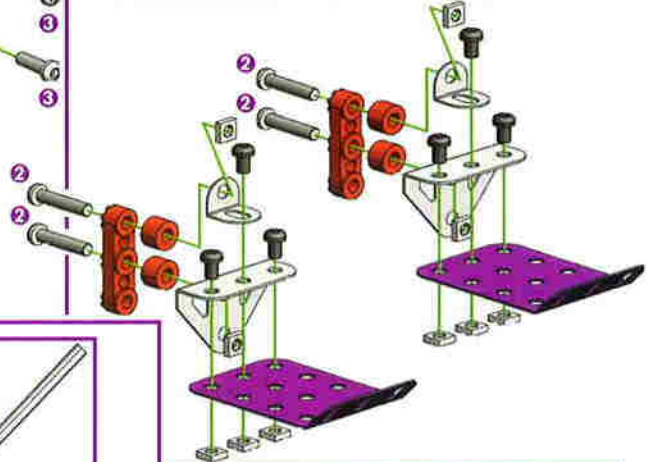
- x2
- x6
- x1
- 5,8 mm x6



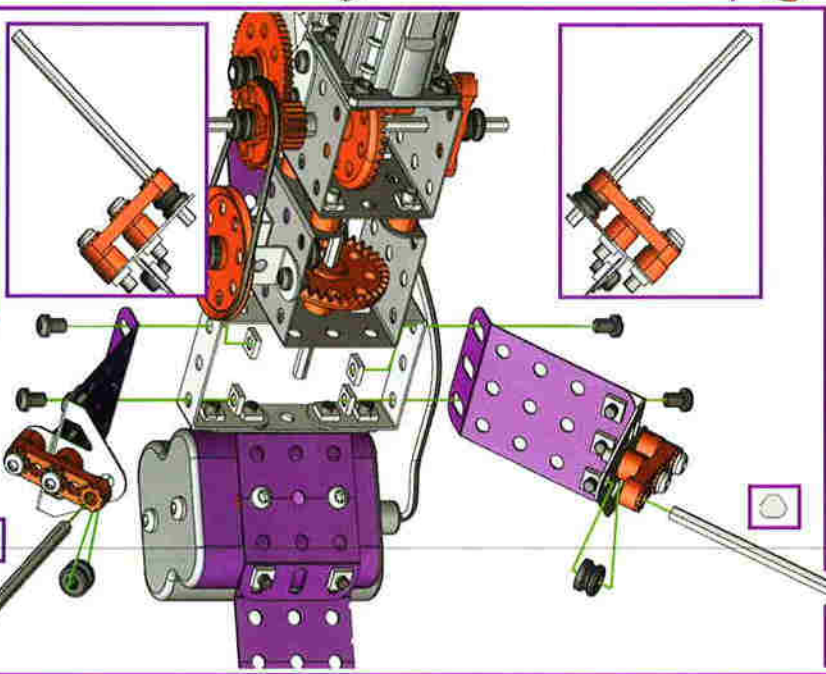
- 11**
- x1
 - x2
 - x4
 - x1
 - x1
 - x2
 - x1
 - x1



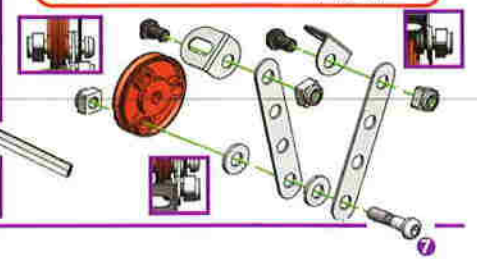
- 12**
- x2
 - x4
 - x2
 - x2
 - x2
 - x10
 - x4
 - x6



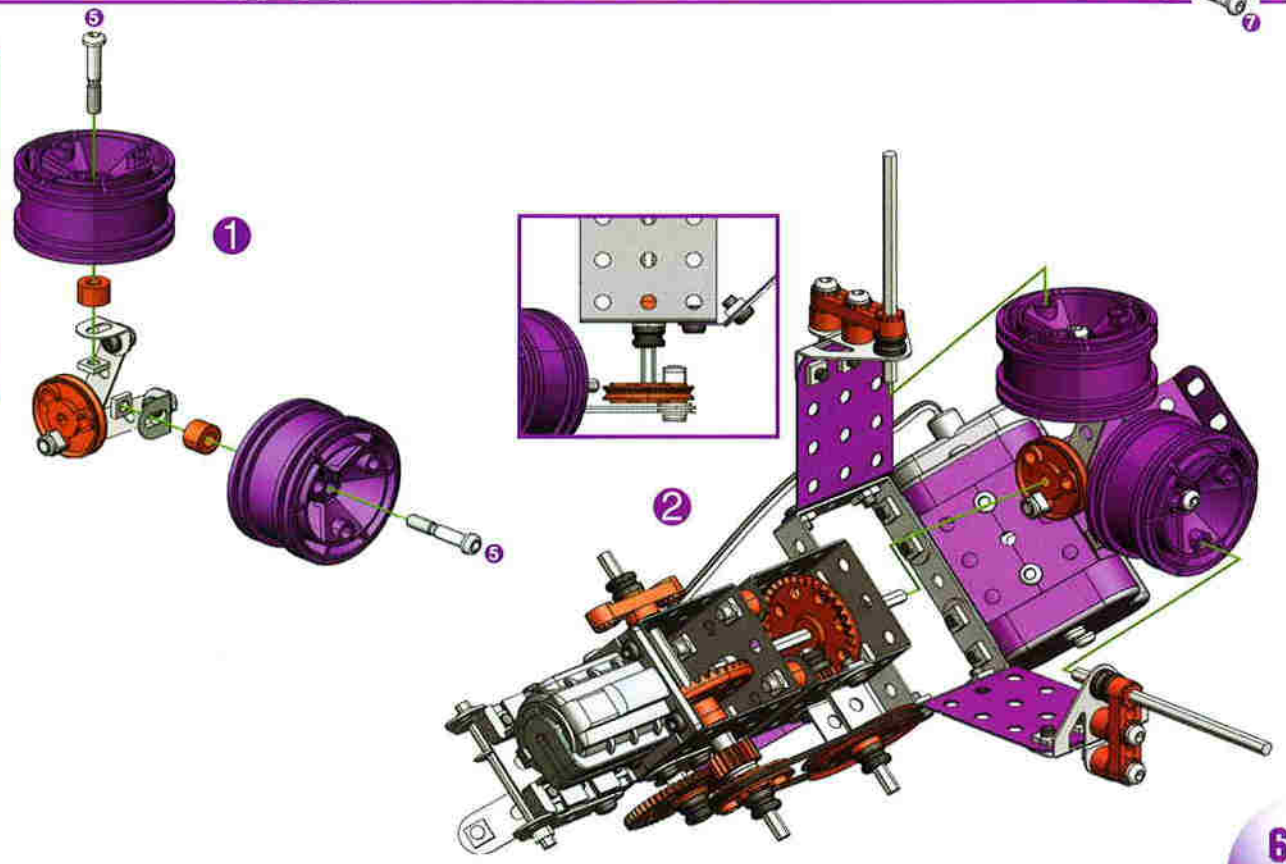
- 13**
- x2
 - x2
 - x4
 - x4










- 14**
- x2
 - x1
 - x2
 - x2
 - x3
 - x1
 - x2

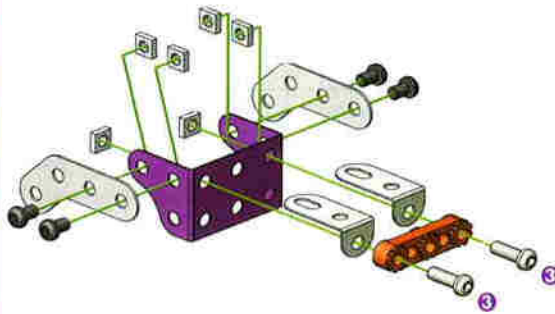


- 15**
- x2
 - x2
 - x2
 - x2

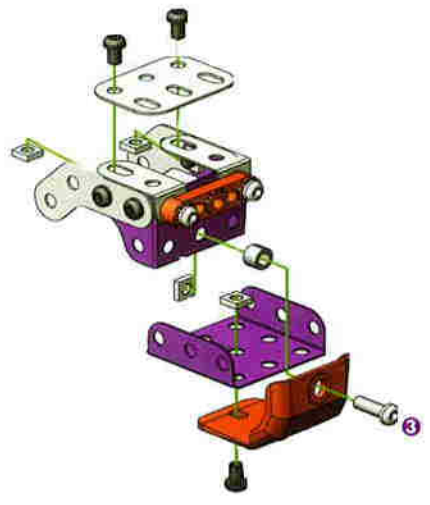


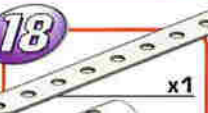







16

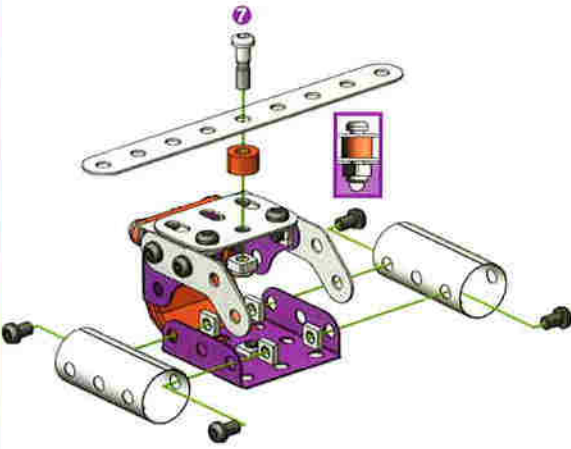
-  x1
-  x2
-  x2
-  x1
-  x6
-  x2
-  x4




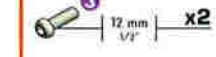

**17**

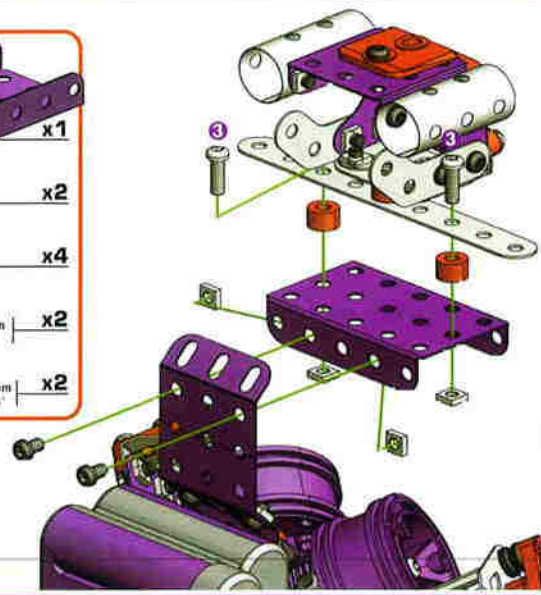
-  x1
-  x1
-  x1
-  x1
-  x4
-  x1
-  x3

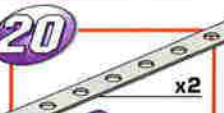

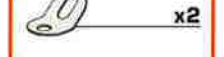


**18**

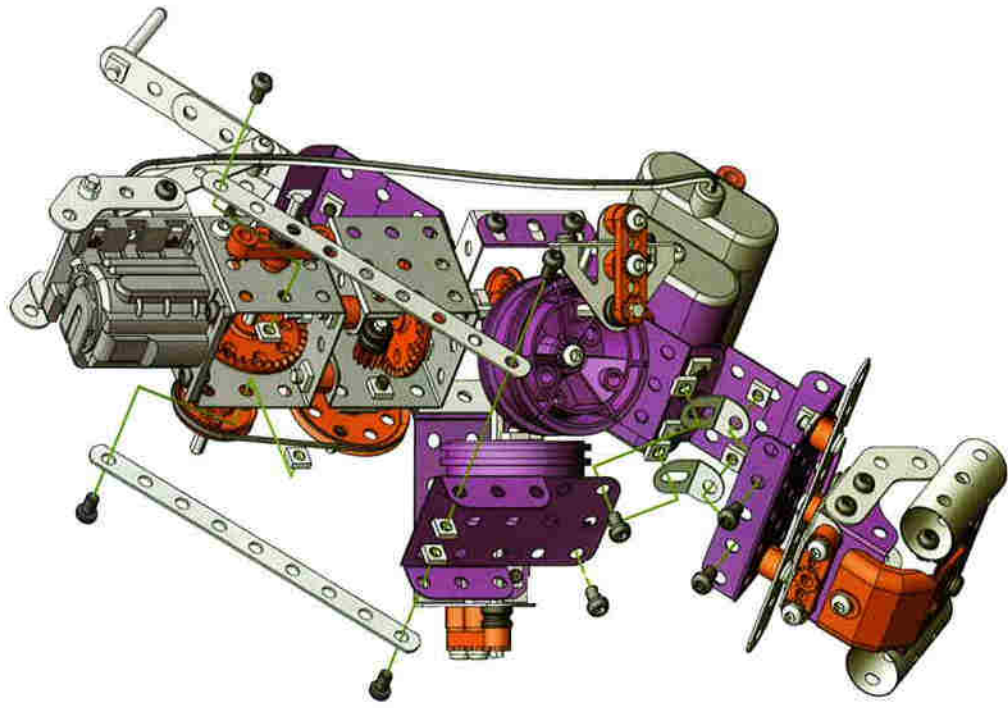
-  x1
-  x2
-  x1
-  x1
-  x4
-  x4
-  x1
-  x4

**19**














-  x1
-  x2
-  x4
-  x2
-  x2

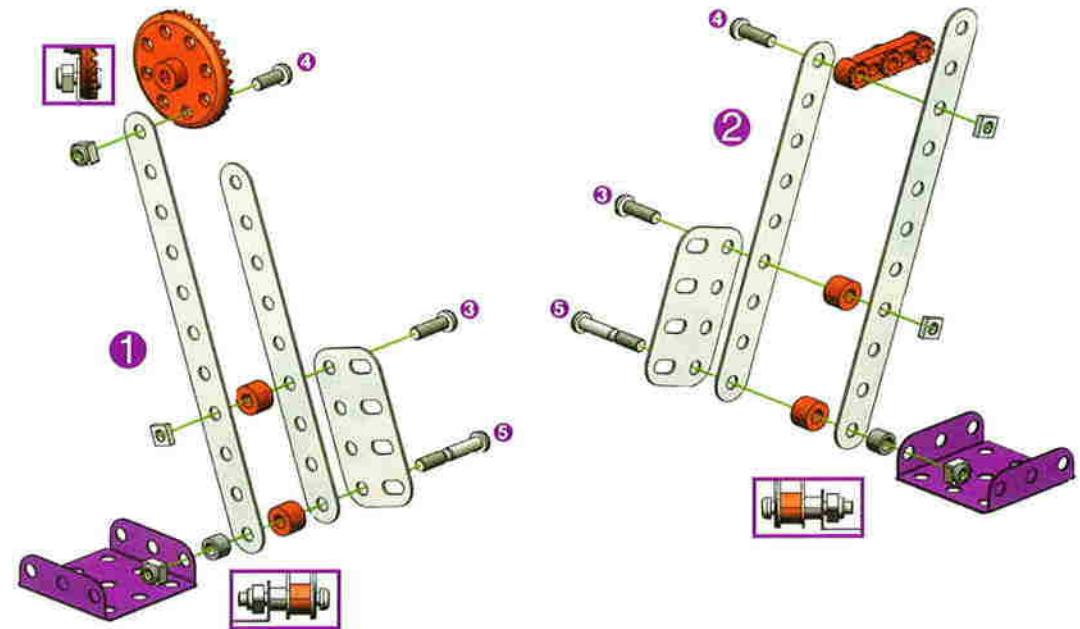
**20**

-  x2
-  x1
-  x2
-  x8
-  x8

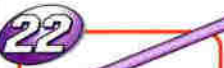








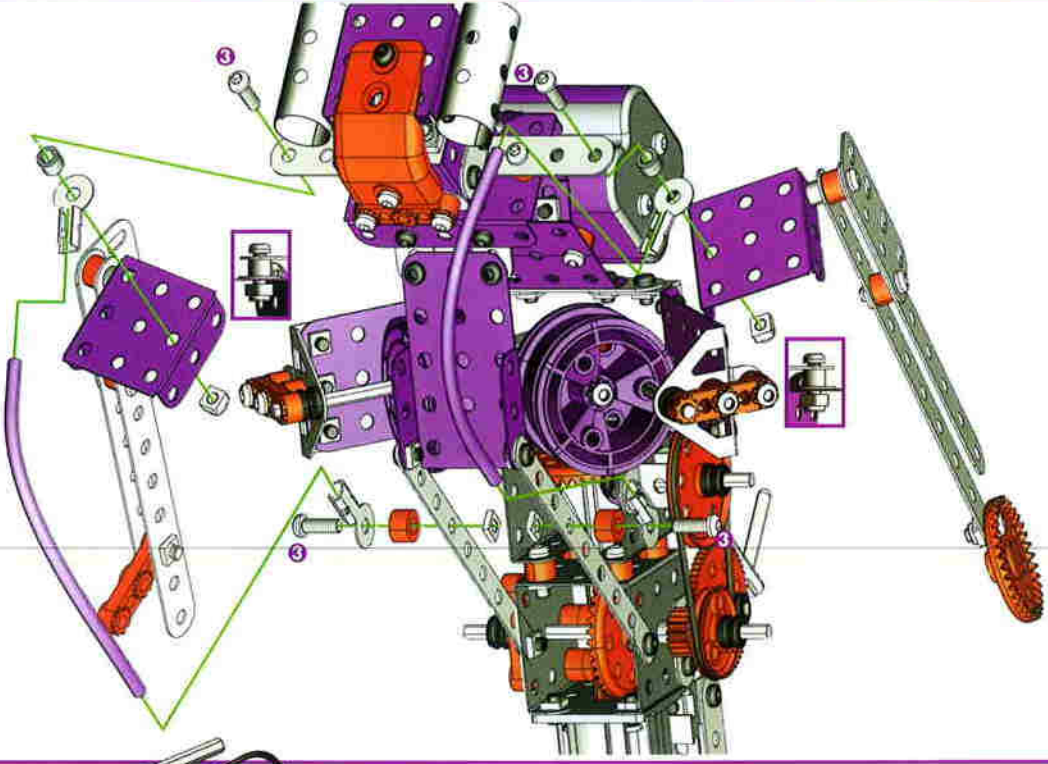
21

-  x2
-  x2
-  x2
-  x2
-  x1
-  x1
-  x4
-  x2
-  x3
-  x3
-  x2
-  x2
-  x2




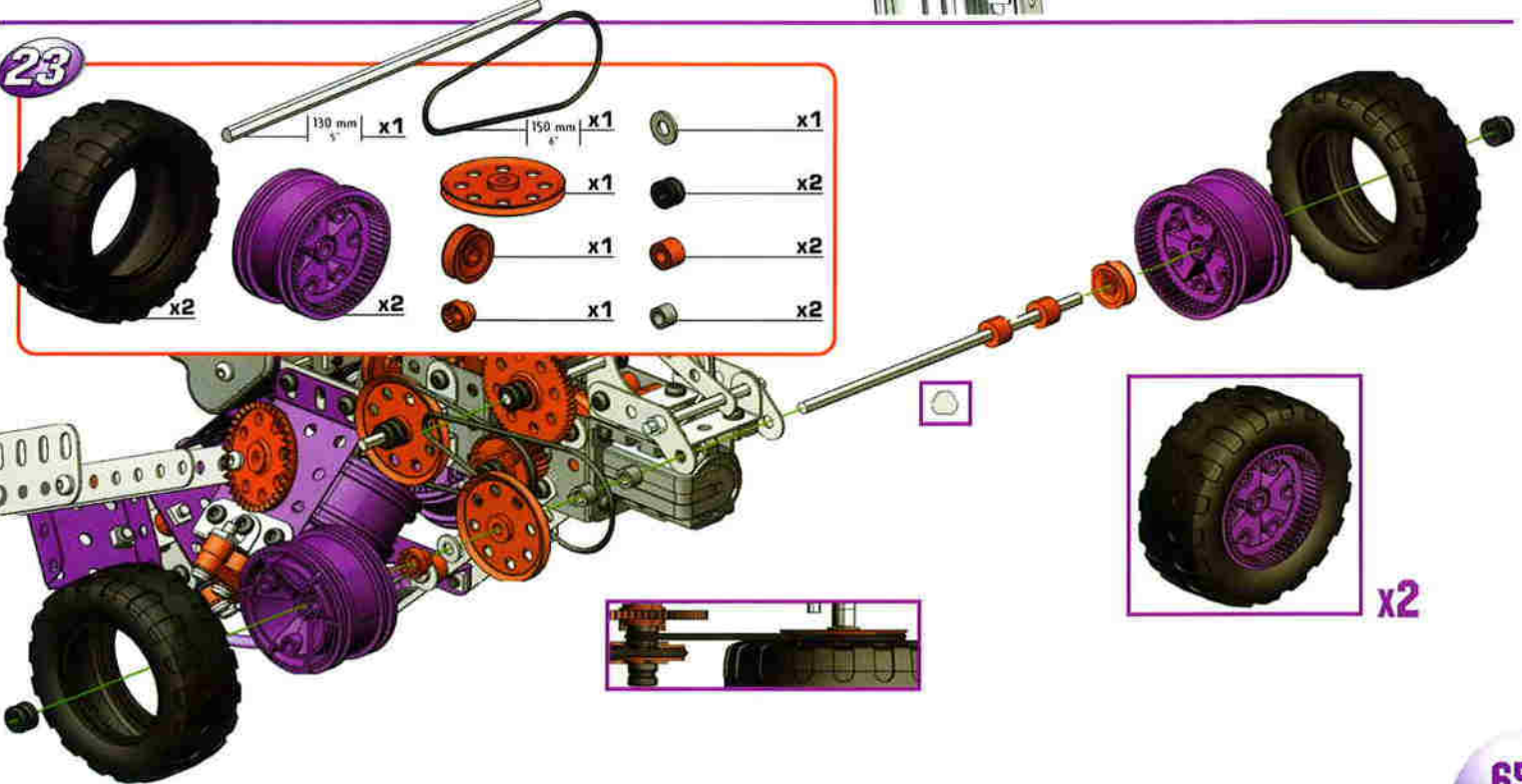
22

-  x2
-  x4
-  x2
-  x2
-  x2
-  x2
-  x4



23

-  x2
-  x2
-  x1
-  x1
-  x1
-  x1
-  x2
-  x1
-  x1
-  x2
-  x2
-  x2
-  x1
-  x2
-  x2
-  x2



24



x1



x1



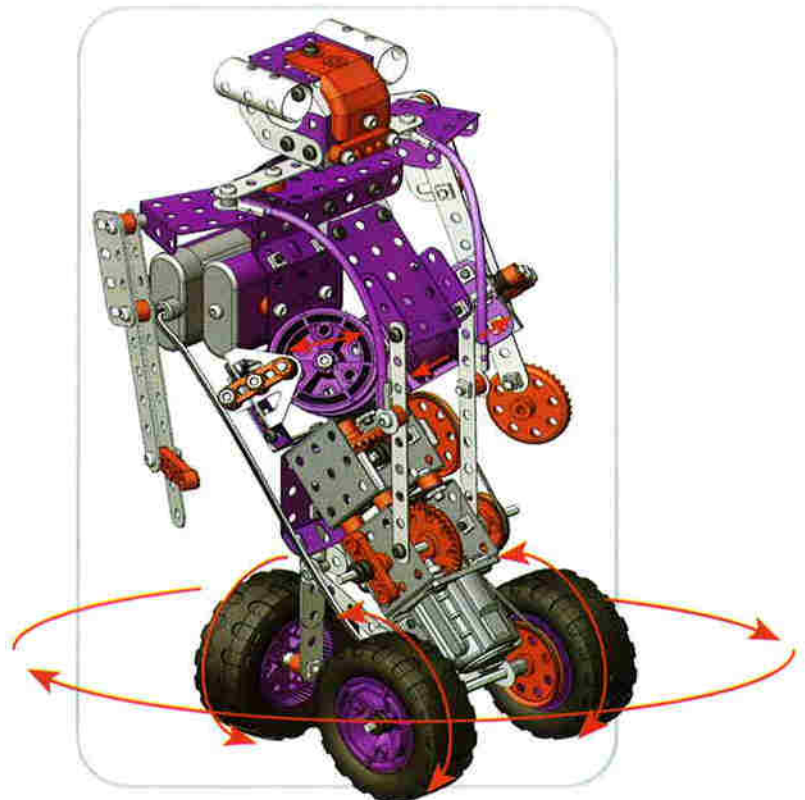
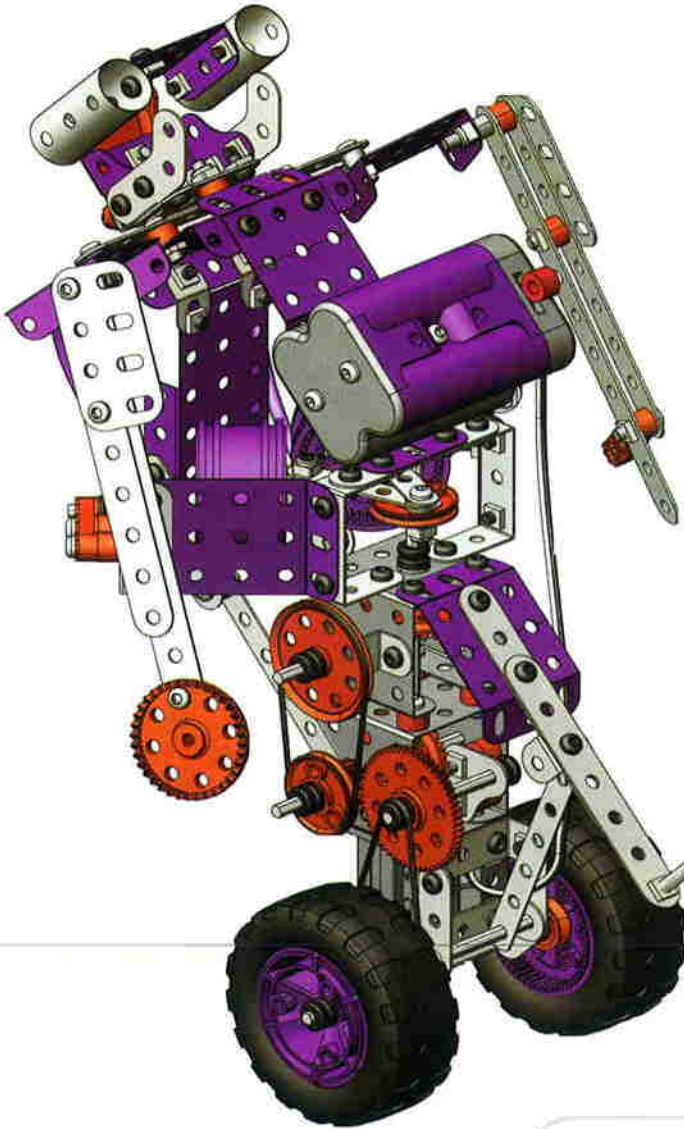
x1



x1



x1



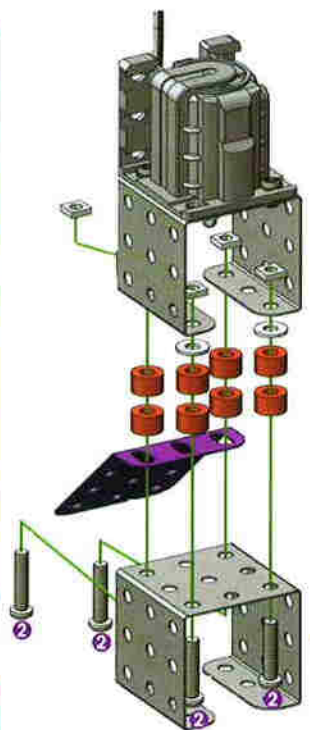


1

- Grey 3-hole Technic beam (x1)
- Black axle (x1)
- Black axle (x1)
- Black axle (x2)
- Motor (x1)
- Black axle (5.8 mm / 15/64") (x2)

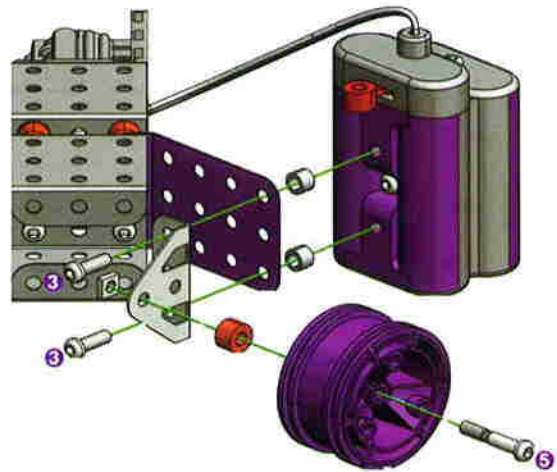
2

- Grey 3-hole Technic beam (x1)
- Purple 1-hole Technic plate (x1)
- Red axle (x8)
- Black axle (x2)
- Black axle (x4)
- Black axle (19 mm / 1 1/4") (x4)



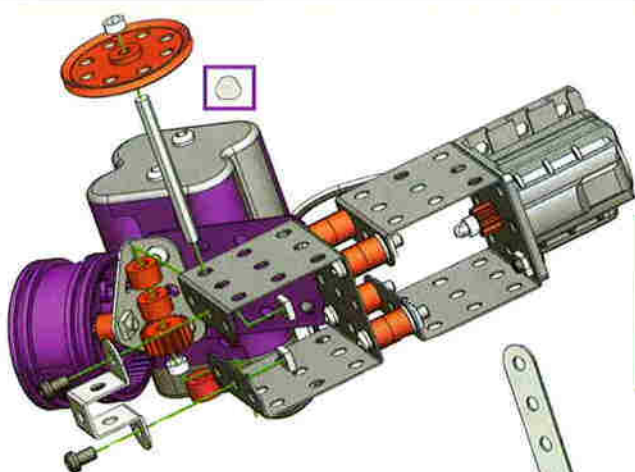
3

- Purple wheel (x1)
- Grey L-shaped Technic bracket (x1)
- Red axle (x1)
- Black axle (x2)
- Black axle (x1)
- Black axle (23 mm / 29/32") (x1)
- Black axle (12 mm / 1/2") (x2)



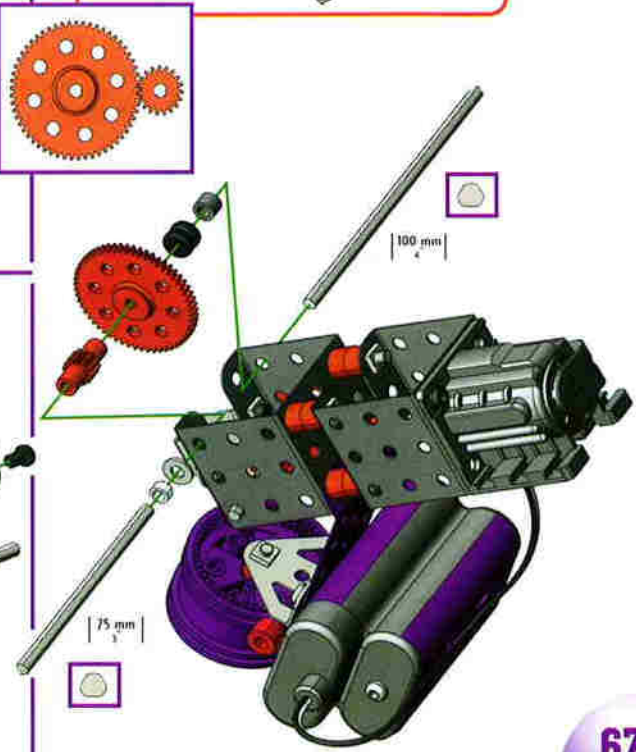
4

- Black axle (50 mm) (x1)
- Grey L-shaped Technic bracket (x1)
- Red gear (x1)
- Red gear (x1)
- Red axle (x2)
- Black axle (x2)
- Black axle (x2)
- Black axle (5.8 mm / 15/64") (x2)



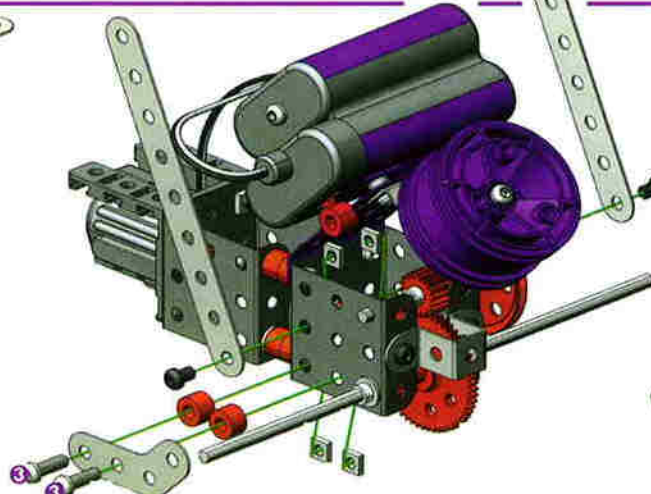
5

- Black axle (100 mm) (x1)
- Black axle (x1)
- Black axle (75 mm) (x1)
- Red gear (x1)
- Black axle (x1)
- Black axle (x1)

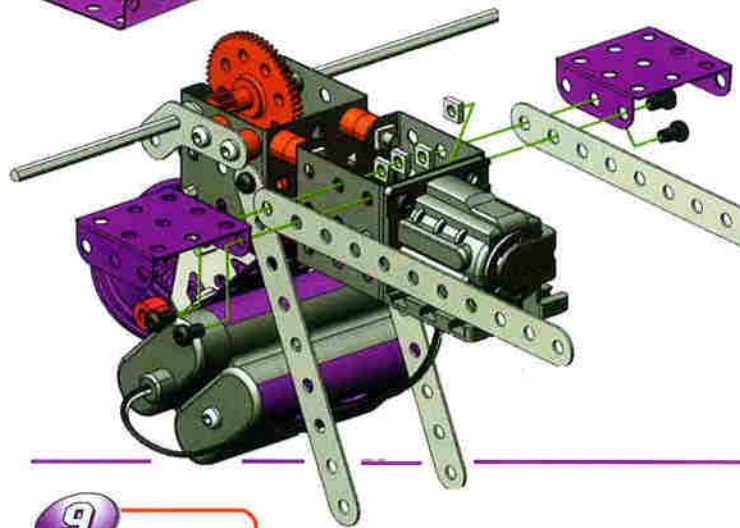


6

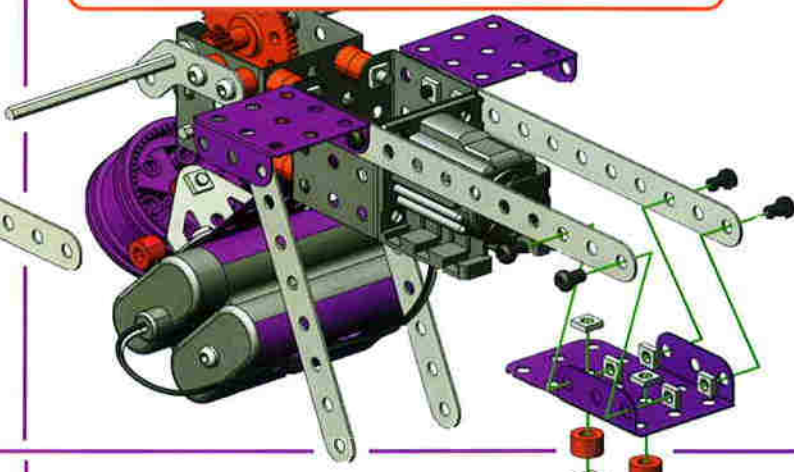
- Grey Technic beam (x2)
- Grey Technic beam (x1)
- Red axle (x2)
- Black axle (x4)
- Black axle (12 mm / 1/2") (x2)
- Black axle (5.8 mm / 15/64") (x2)



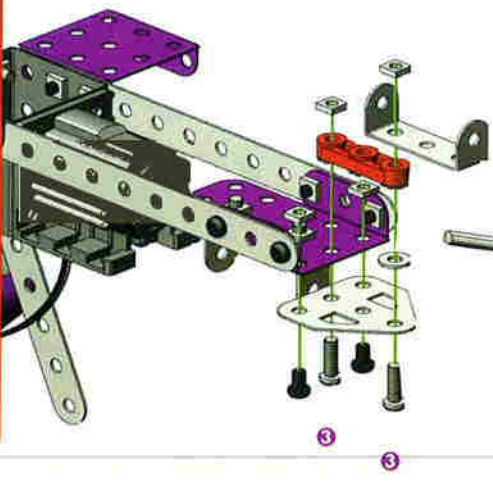
- 7**
- 1x20 hole grey Technic beam x2
 - 1x2 hole purple Technic plate x2
 - 5.8 mm 1/4" grey pin x4
 - 5.8 mm 1/4" black pin x4



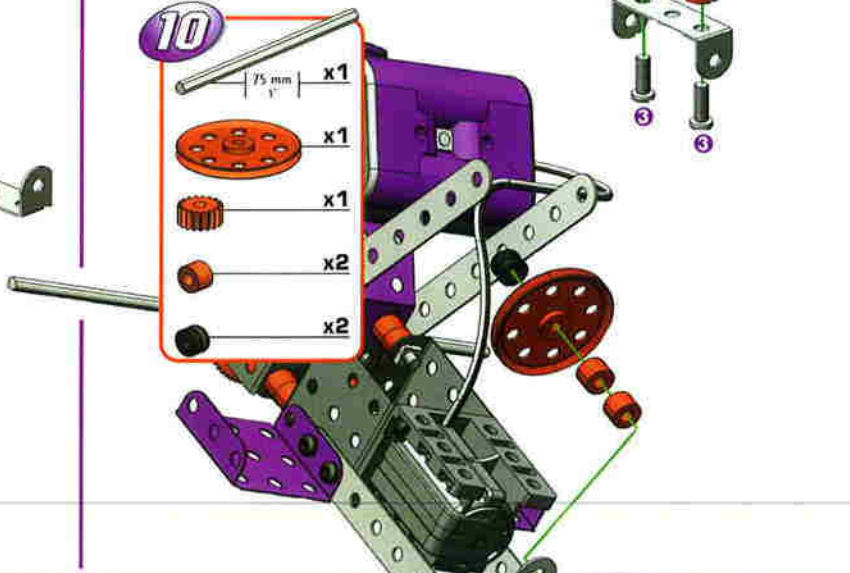
- 8**
- 1x2 hole purple Technic plate x1
 - 1x2 hole grey Technic plate x1
 - 12 mm 1/2" grey pin x2
 - 5.8 mm 1/4" black pin x4
 - Grey axle x6
 - Red axle with orange bush x2



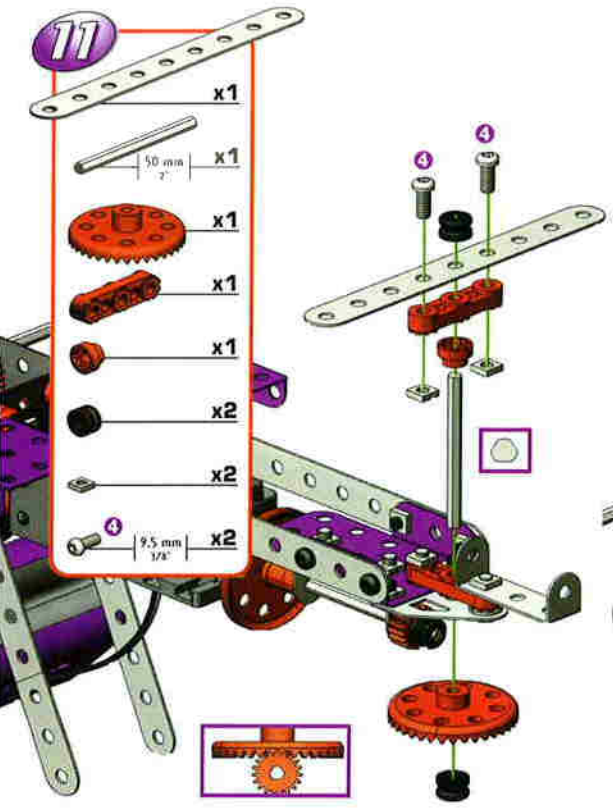
- 9**
- 1x3 hole grey Technic plate x1
 - 1x2 hole grey Technic plate x1
 - 1x2 hole red Technic plate x1
 - Grey axle x1
 - Grey pin x4
 - 12 mm 1/2" grey pin x2
 - 5.8 mm 1/4" black pin x2



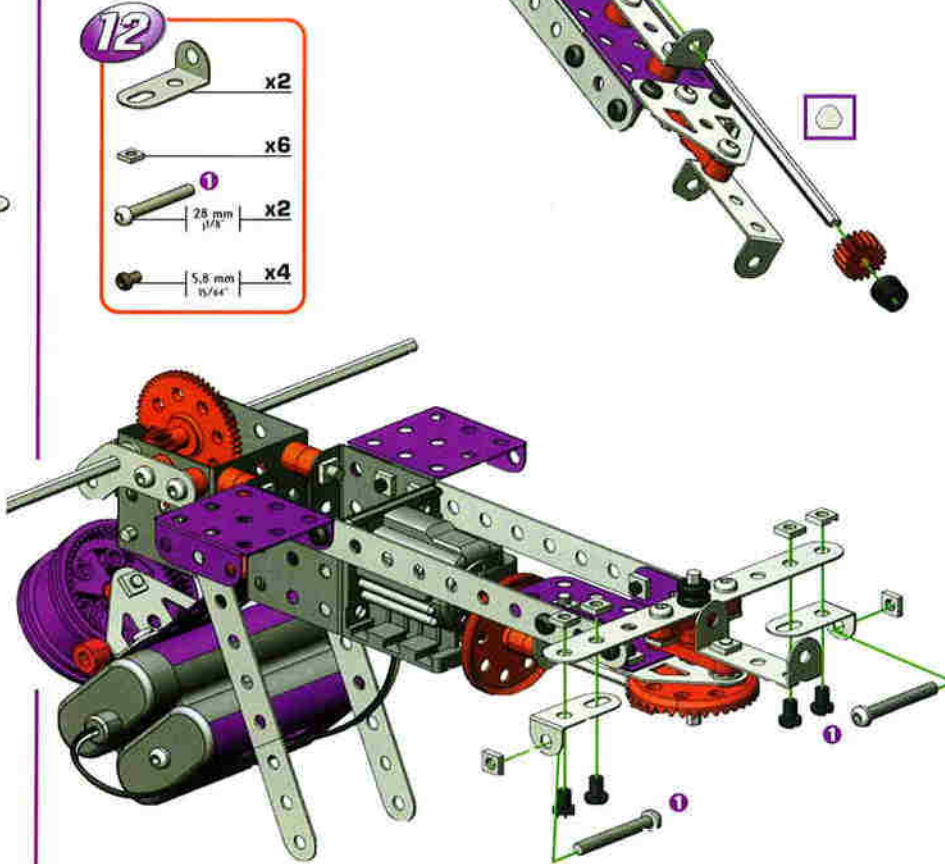
- 10**
- 75 mm grey axle x1
 - Red gear x1
 - Red gear x1
 - Red axle with orange bush x2
 - Grey pin x2









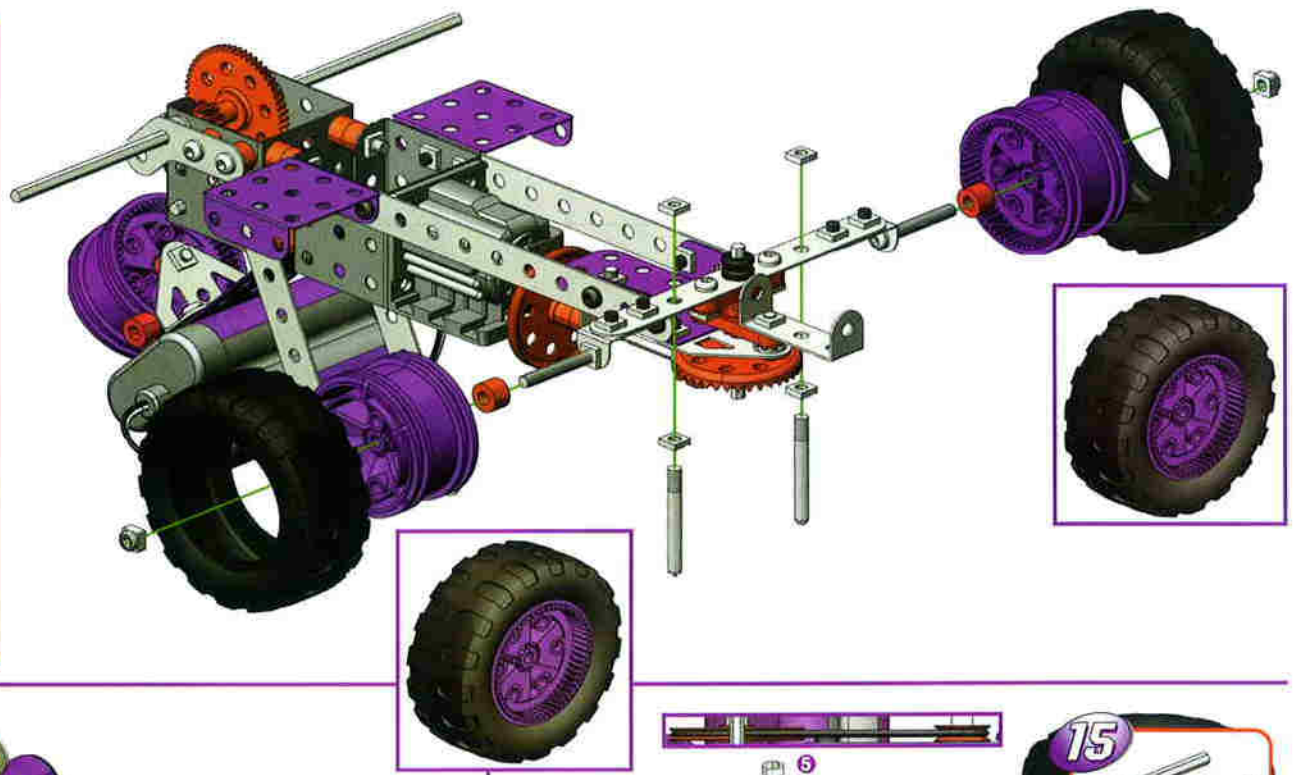
- 11**
- 1x20 hole grey Technic beam x1
 - 50 mm 2" grey axle x1
 - Red gear x1
 - 1x2 hole red Technic plate x1
 - Red axle with orange bush x1
 - Black pin x2
 - Grey pin x2
 - 9.5 mm 3/8" grey pin x2



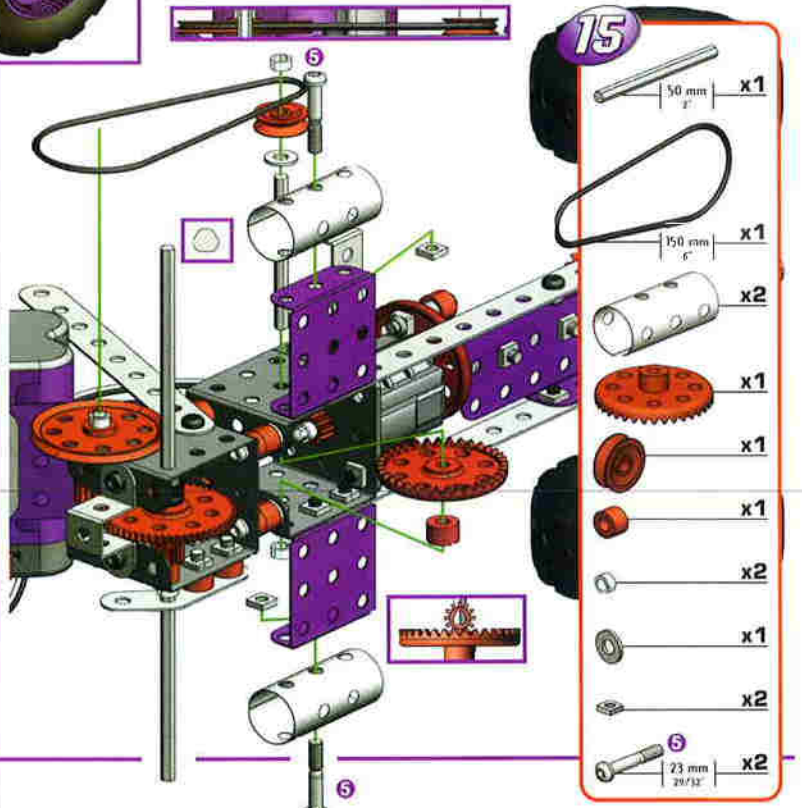
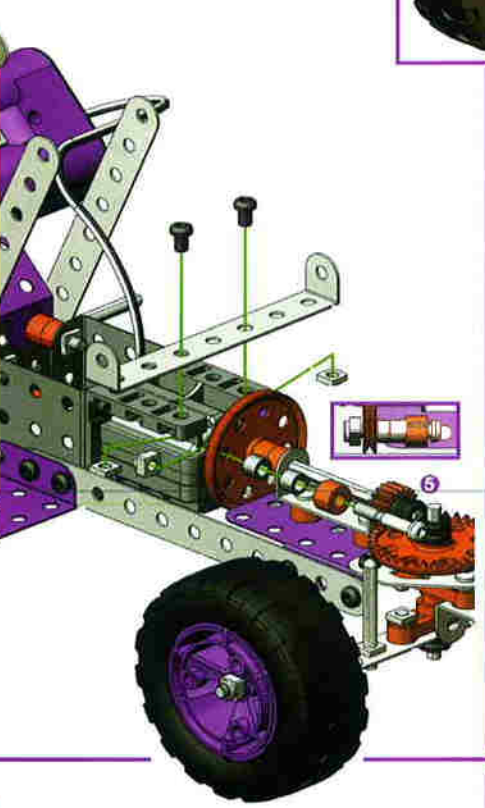
- 12**
- 1x2 hole grey Technic plate x2
 - Grey pin x6
 - 28 mm 1 1/8" grey pin x2
 - 5.8 mm 1/4" black pin x4










- 13**
-  x2
 -  x2
 -  x2
 -  x4
 -  x2
 -  x2

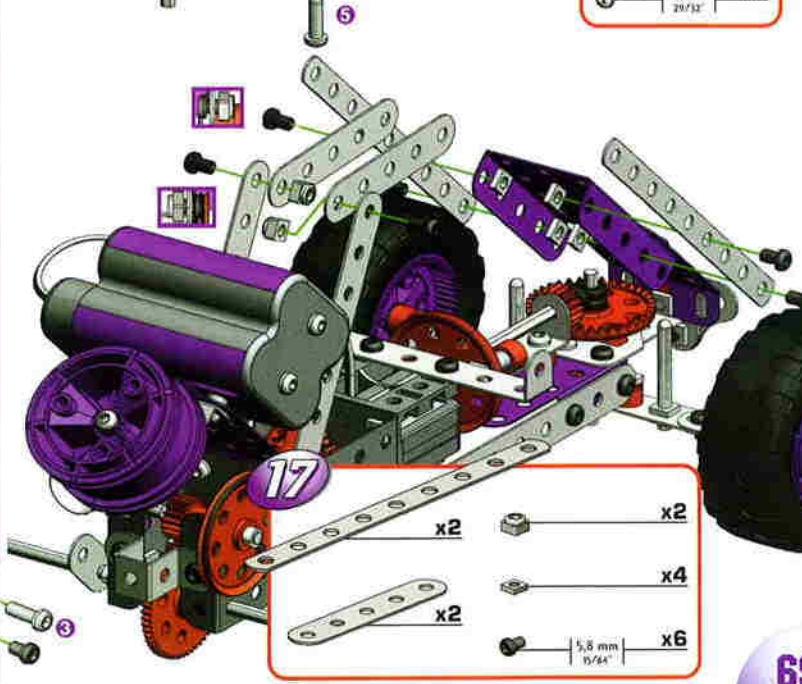
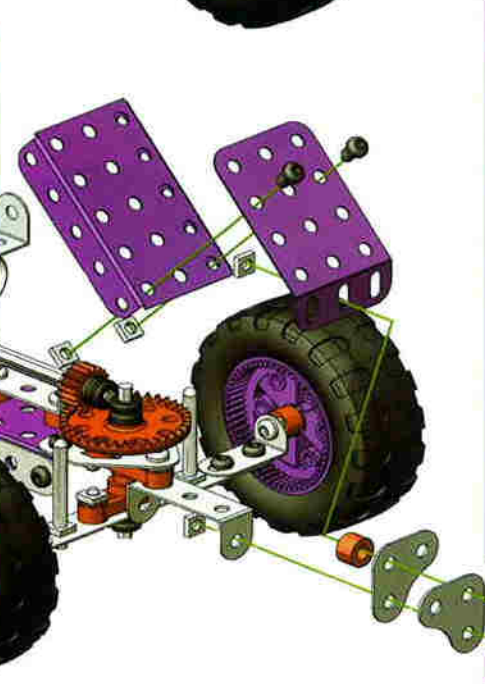






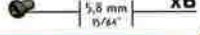
- 14**
-  x1
 -  x1
 -  x2
 -  x2
 -  x1
 -  x1
 -  x2

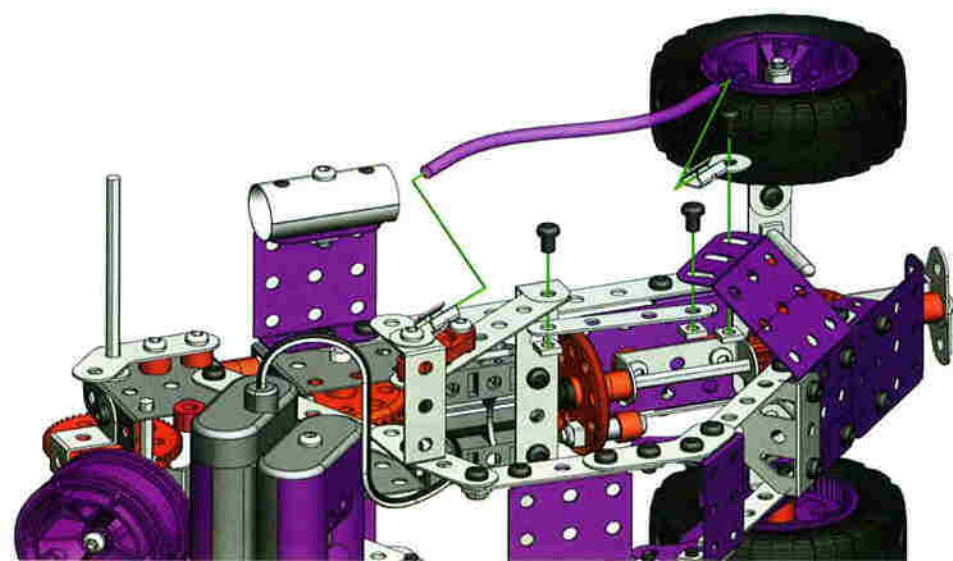
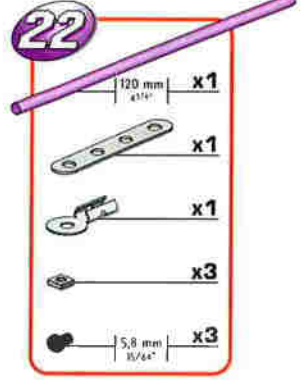
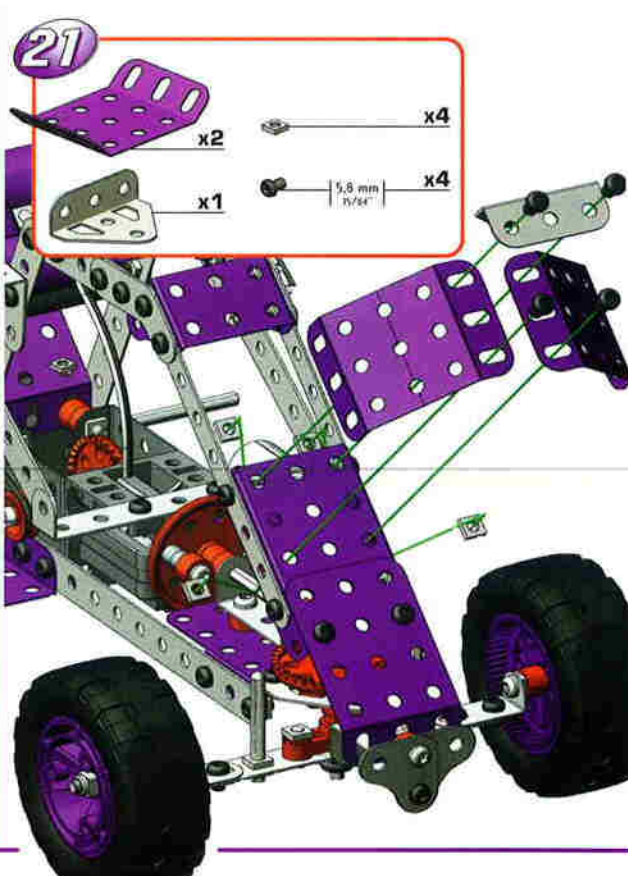
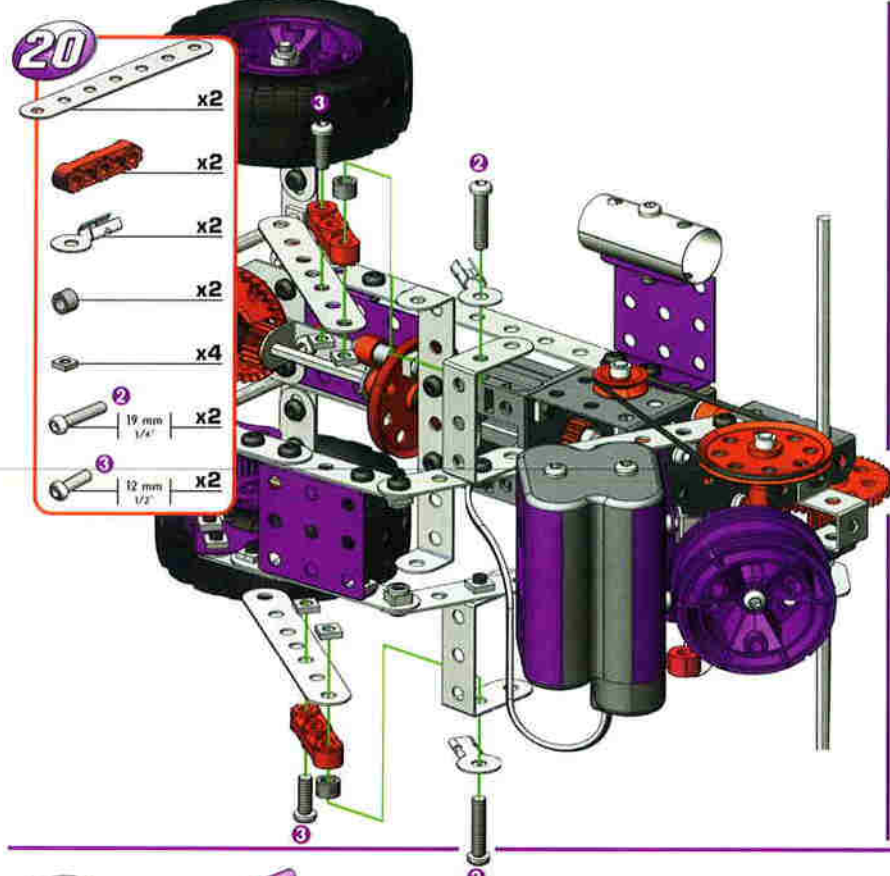
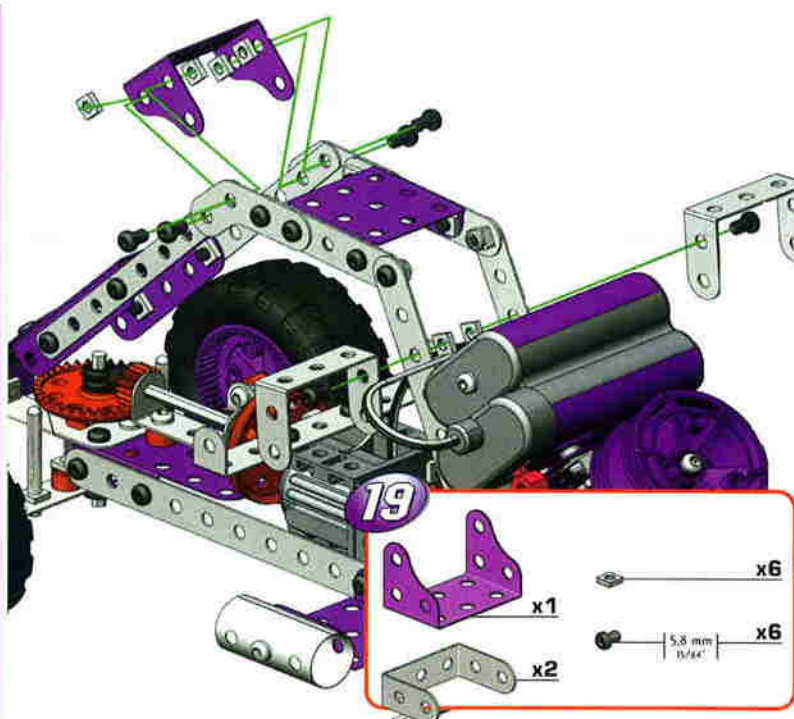
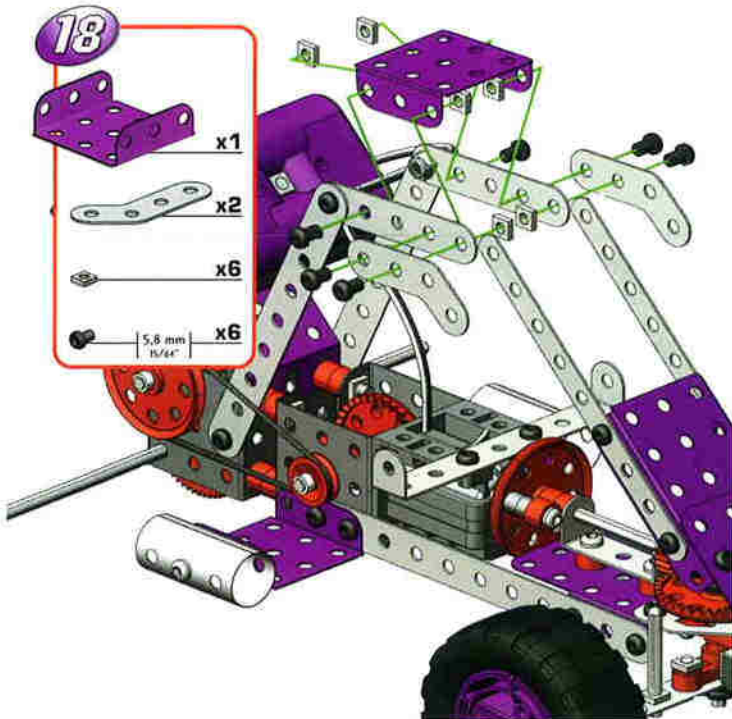


- 15**
-  x1
 -  x1
 -  x1
 -  x2
 -  x1
 -  x1
 -  x1
 -  x2
 -  x1
 -  x2
 -  x2

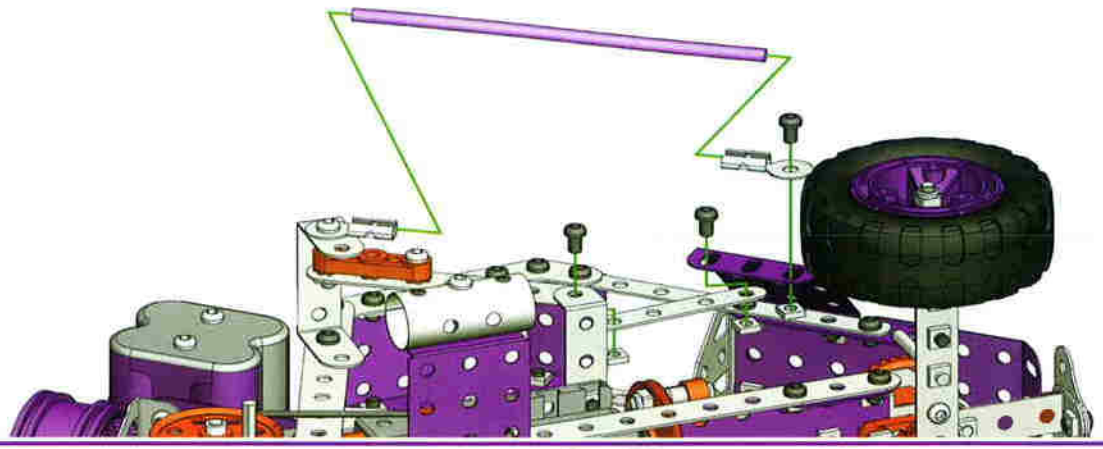
- 16**
-  x1
 -  x1
 -  x2
 -  x1
 -  x4
 -  x1
 -  x3



- 17**
-  x2
 -  x2
 -  x2
 -  x4
 -  x6

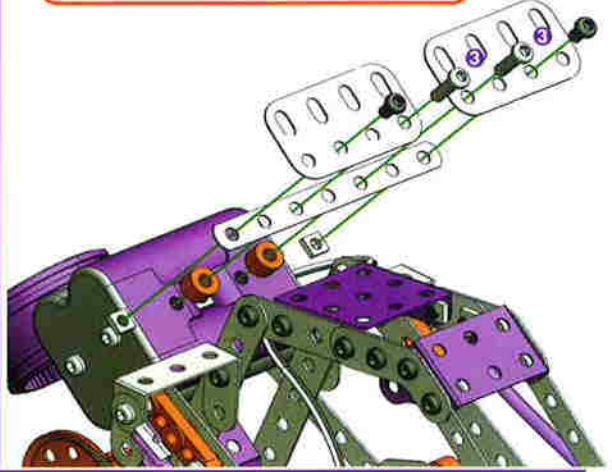
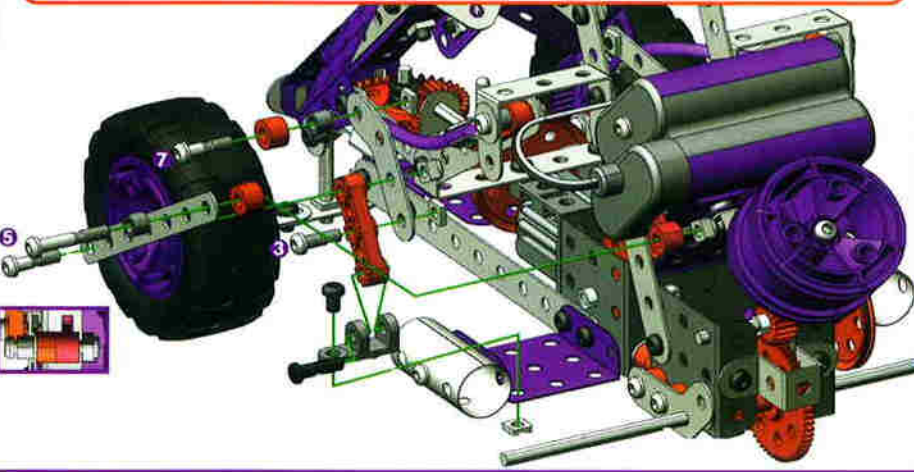


- 23**
- 120 mm $4\frac{7}{8}$ " x1
 - x1
 - x1
 - x3
 - 5,8 mm $5/64$ " x3

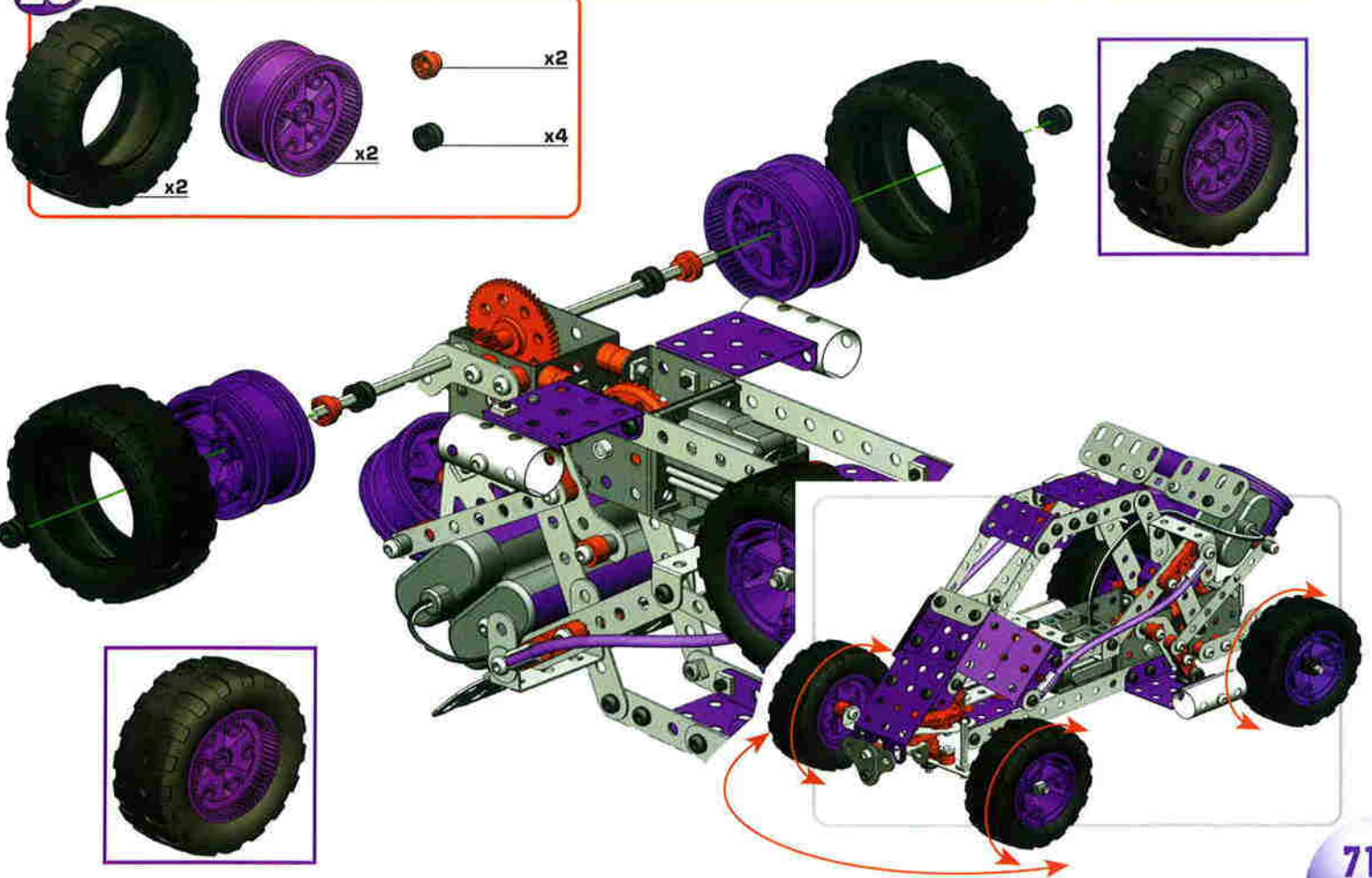


- 24**
- x1
 - x1
 - x1
 - x2
 - x2
 - x2
 - x3
 - 23 mm $29/32$ " x1
 - 14,7 mm $5/16$ " x2
 - 12 mm $1/2$ " x1
 - 5,8 mm $5/64$ " x1

- 25**
- x1
 - x2
 - 12 mm $1/2$ " x2
 - 5,8 mm $5/64$ " x2










- 26**
- x2
 - x2
 - x2
 - x4









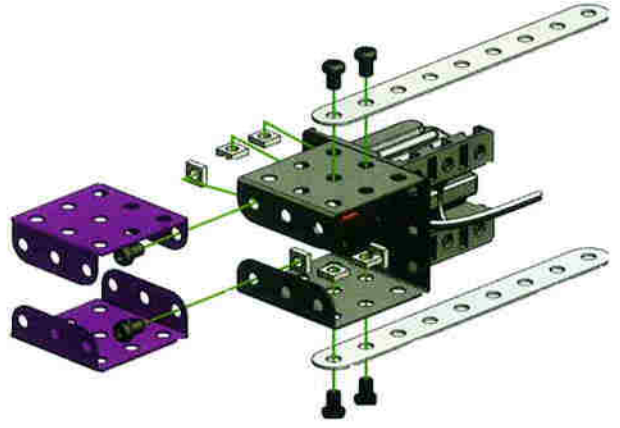
7

-  x1
-  x1
-  x1
-  x1
-  x1
-  x2
-  x2






5.8 mm
15/64"

2

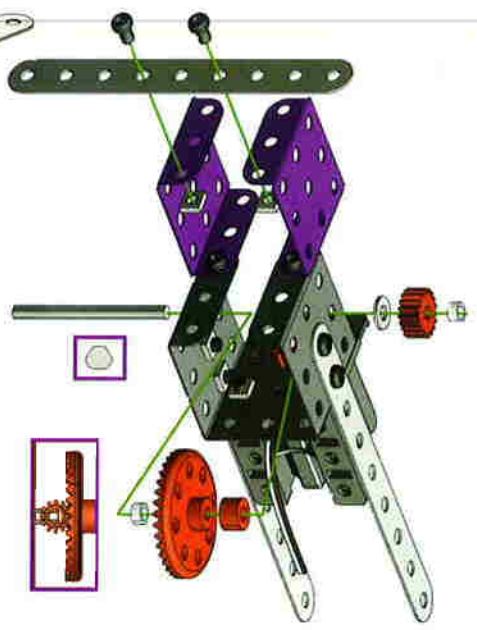
-  x2
-  x2
-  x6
-  x6



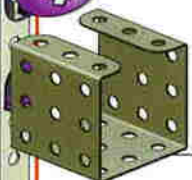





3

-  x1
-  x1
-  x1
-  x1
-  x1
-  x1
-  x2
-  x1
-  x2
-  x2

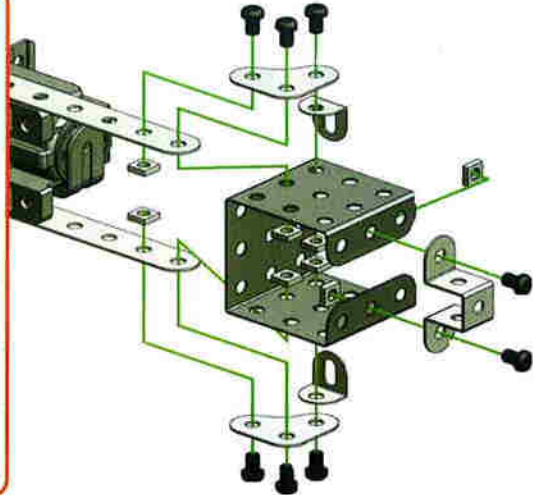
5.8 mm
15/64"









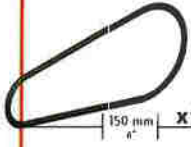
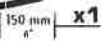
4

-  x1
-  x2
-  x1
-  x2
-  x8
-  x8

5.8 mm
15/64"

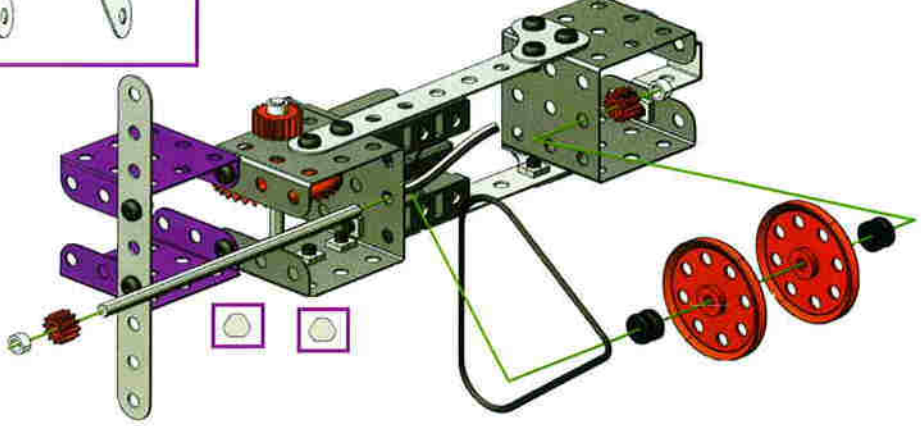


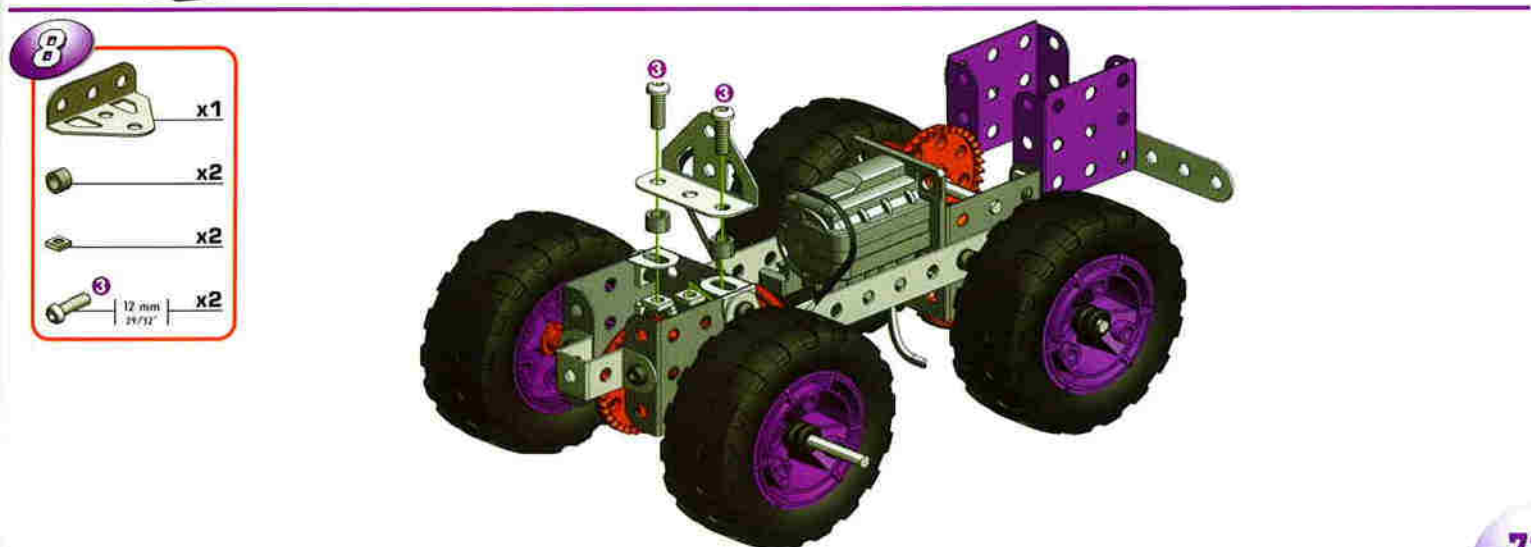
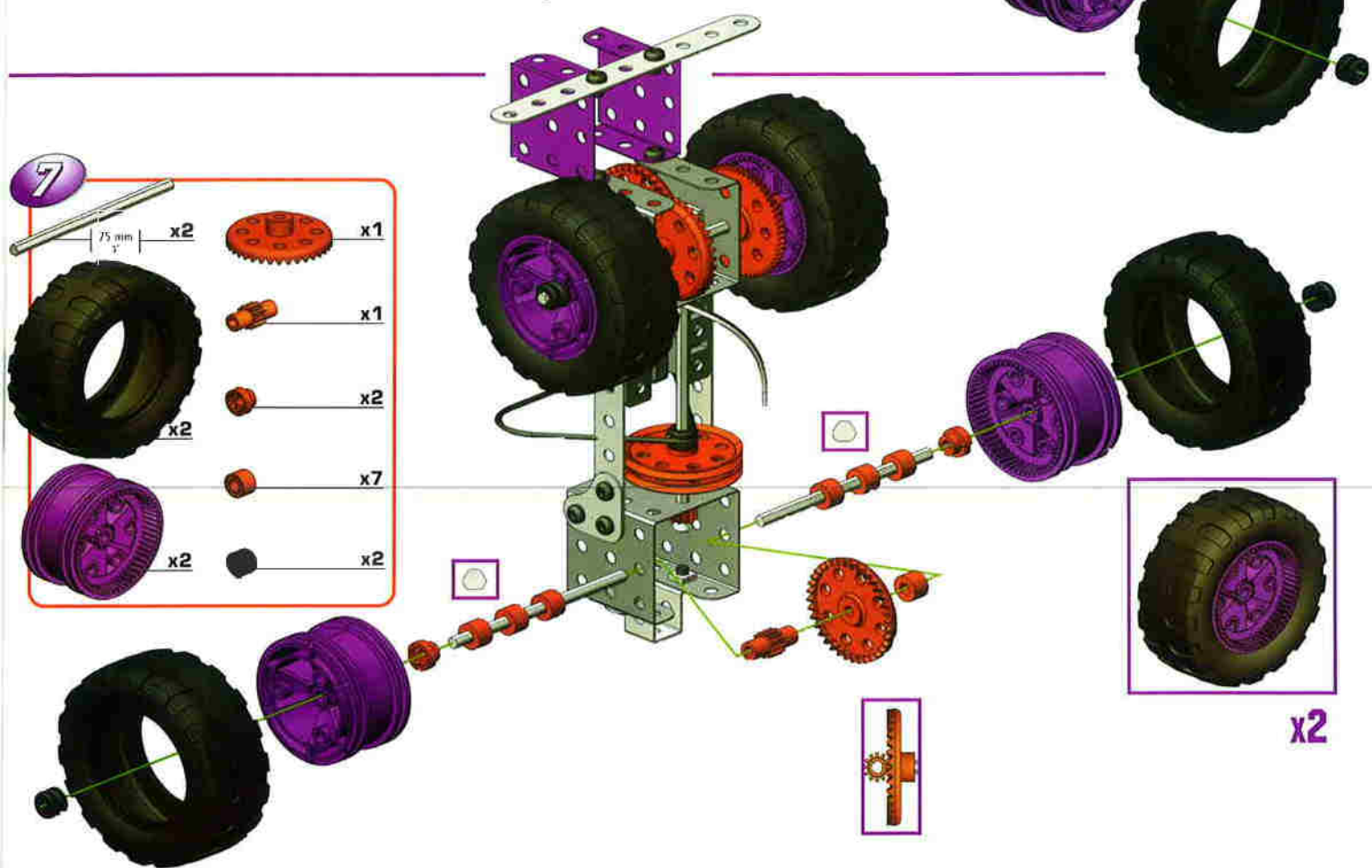
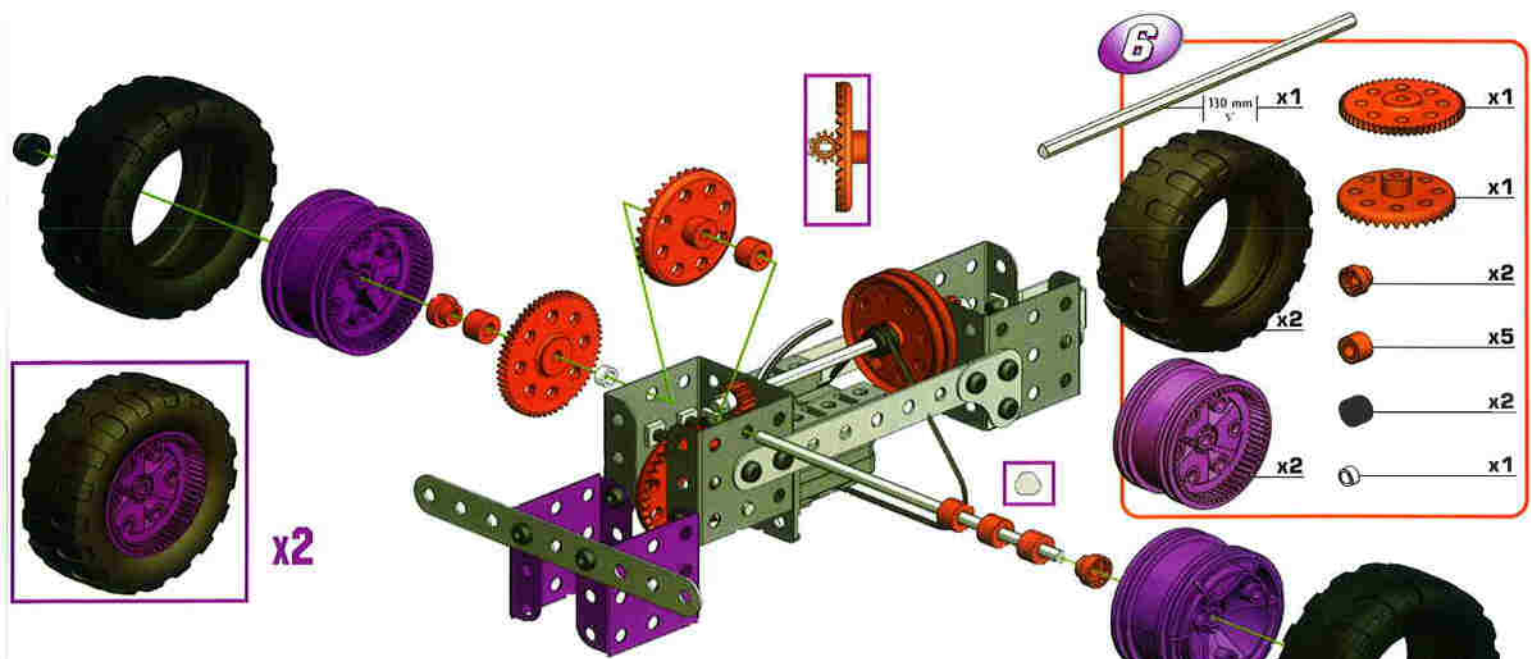
5

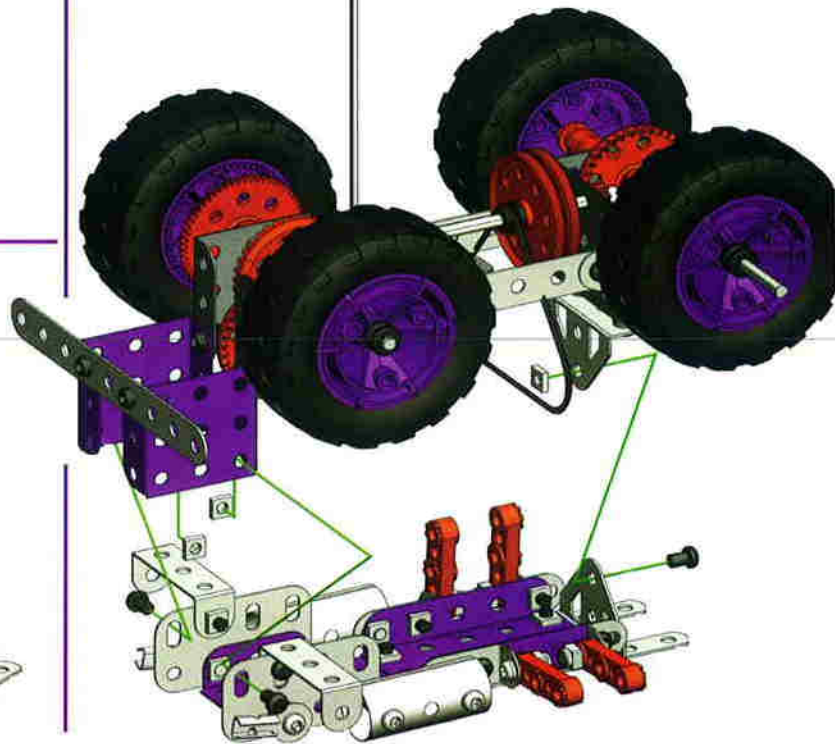
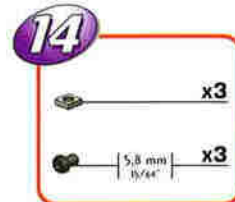
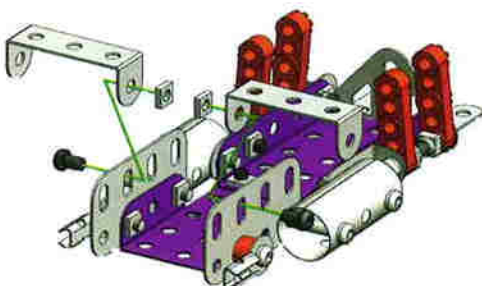
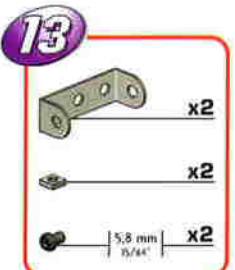
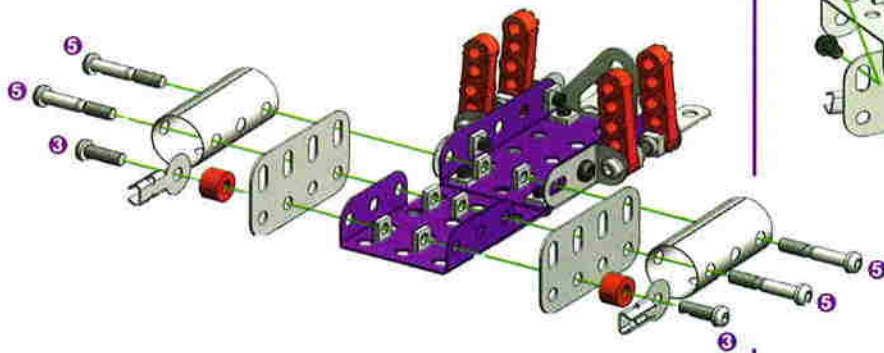
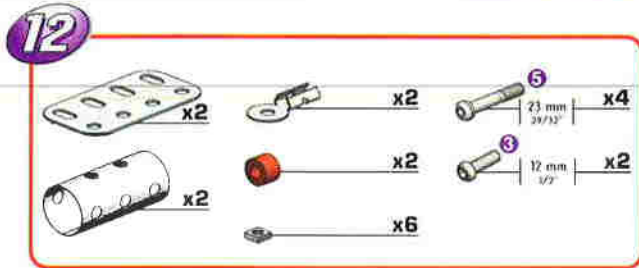
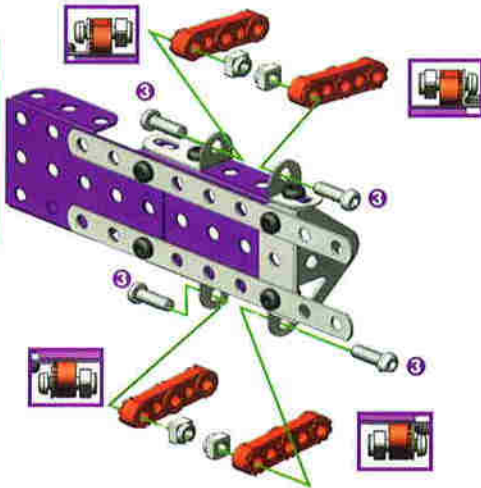
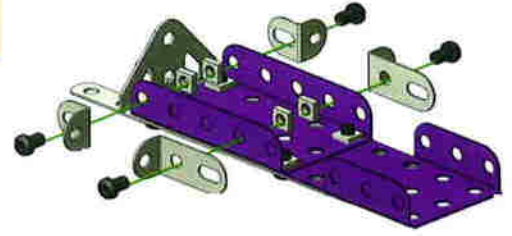
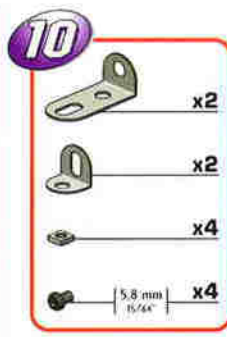
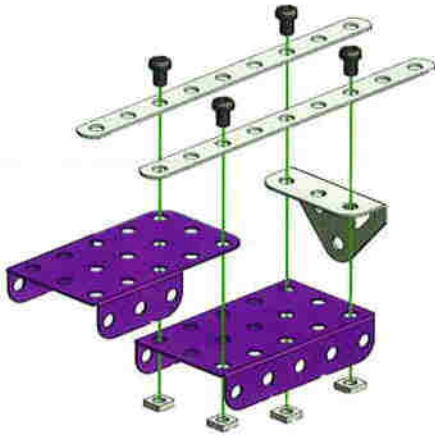
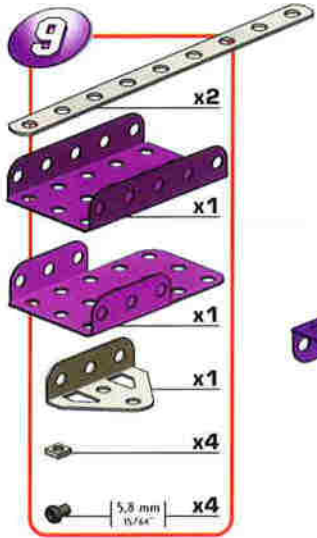
-  x1
-  x2
-  x2
-  x2
-  x2
-  x2
-  x1
-  x1

100 mm
4"

150 mm
6"

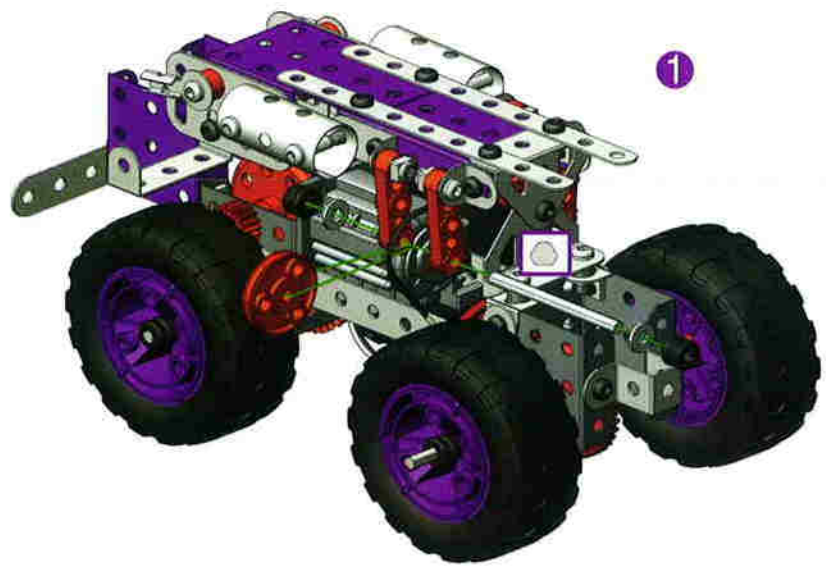




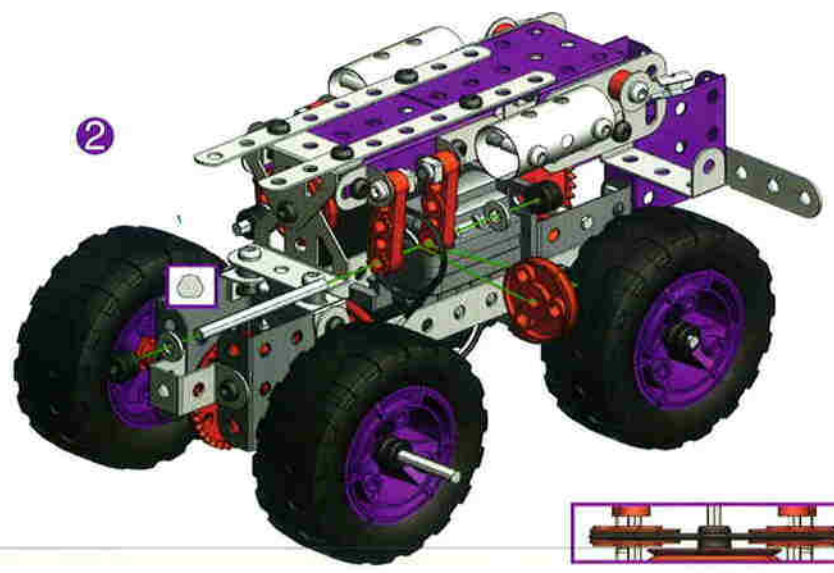


75

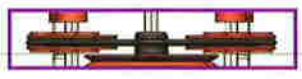
-  50 mm | x2
-  x2
-  x4
-  x4




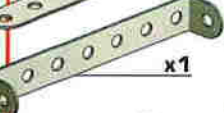







1

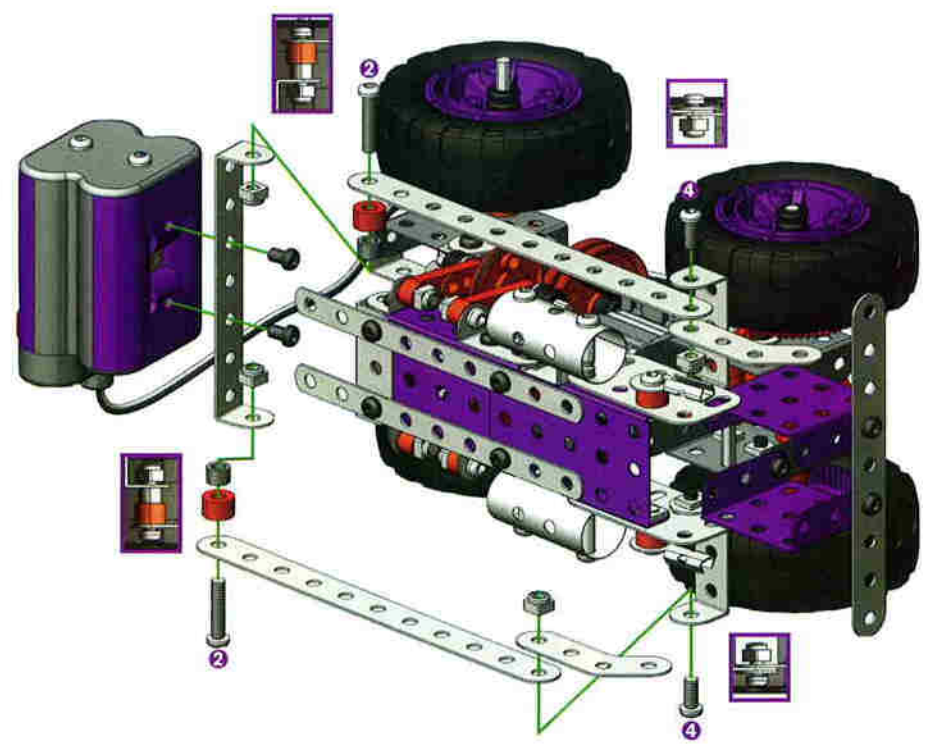


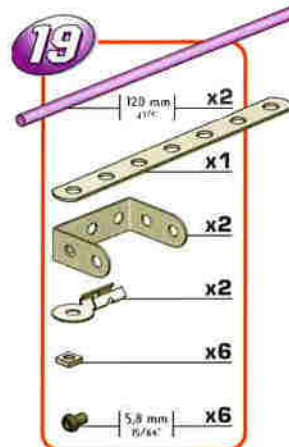
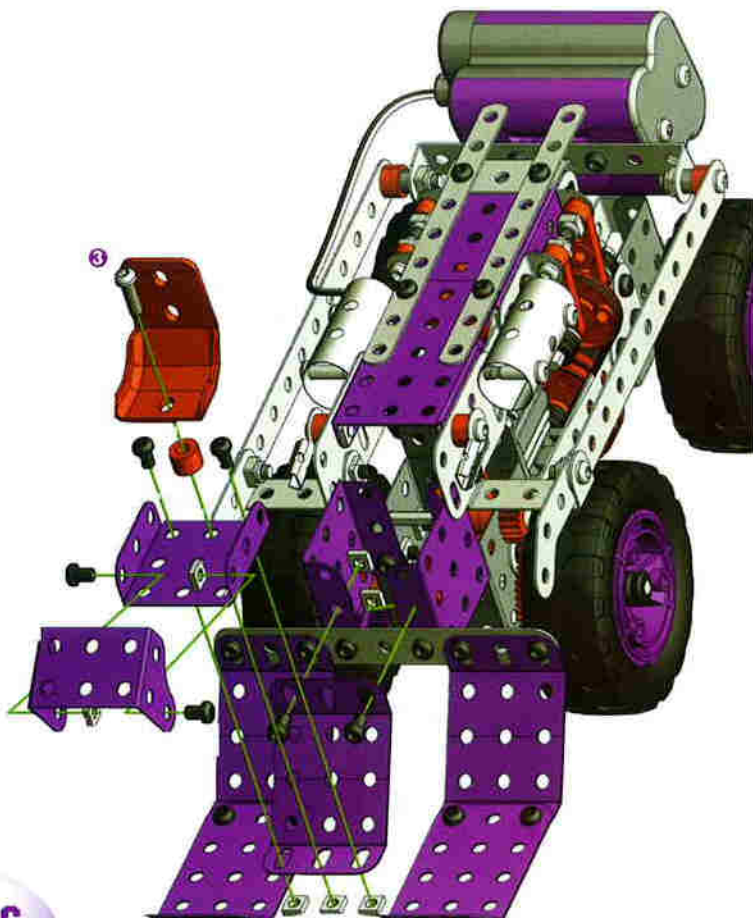
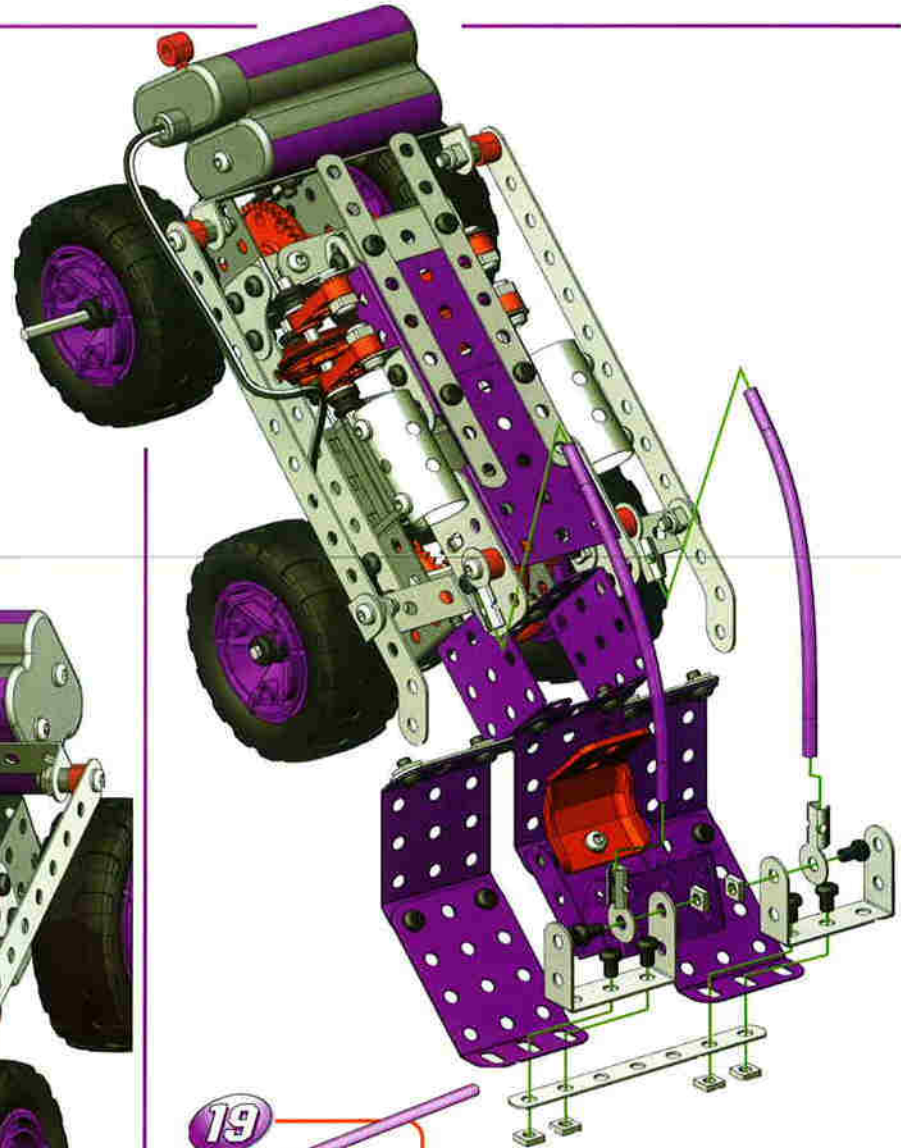
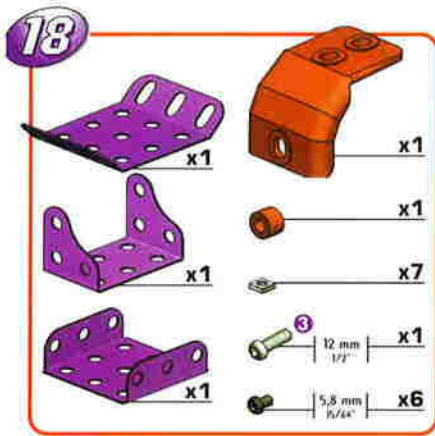
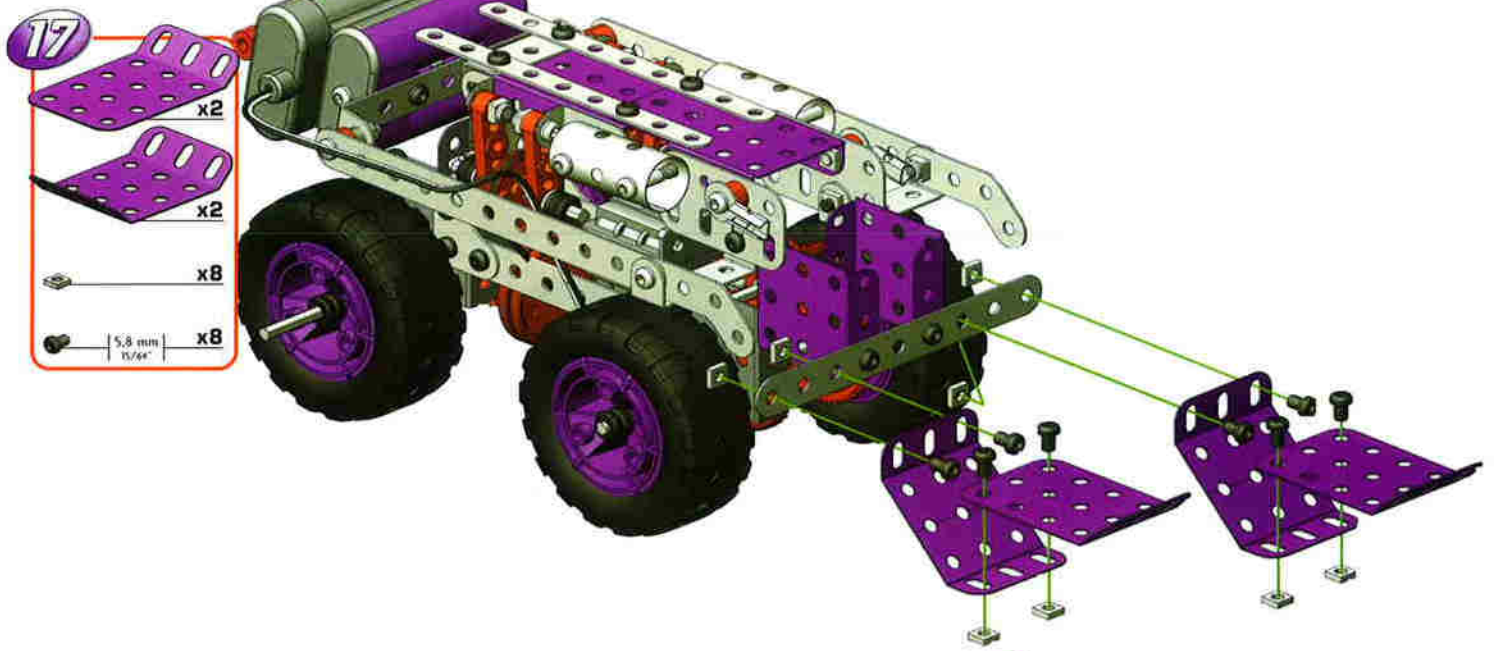
2











76

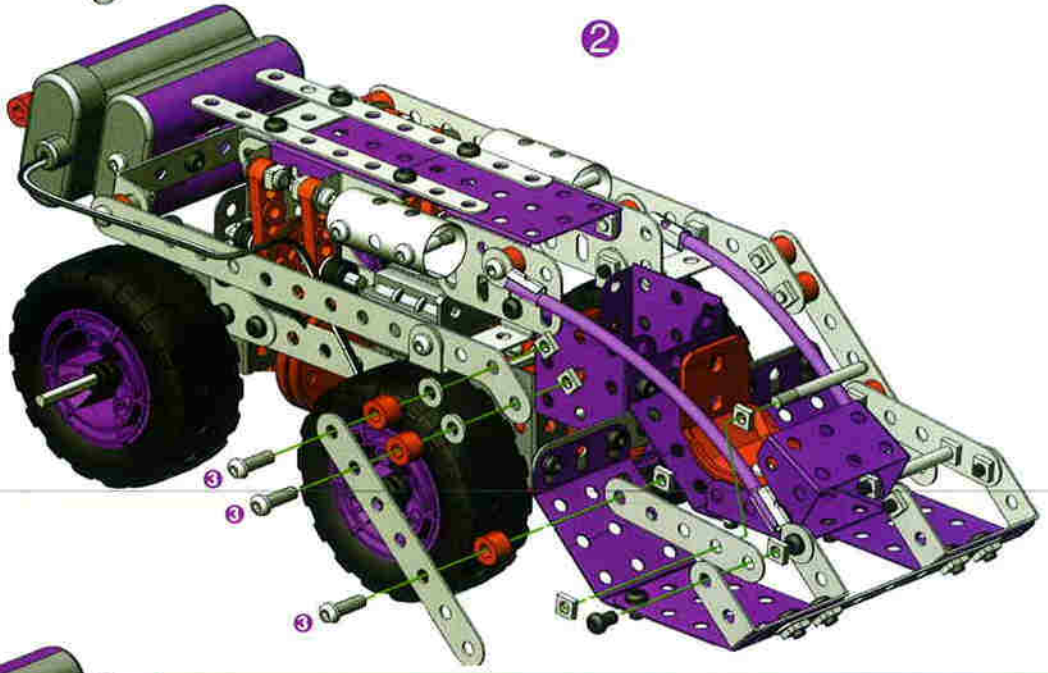
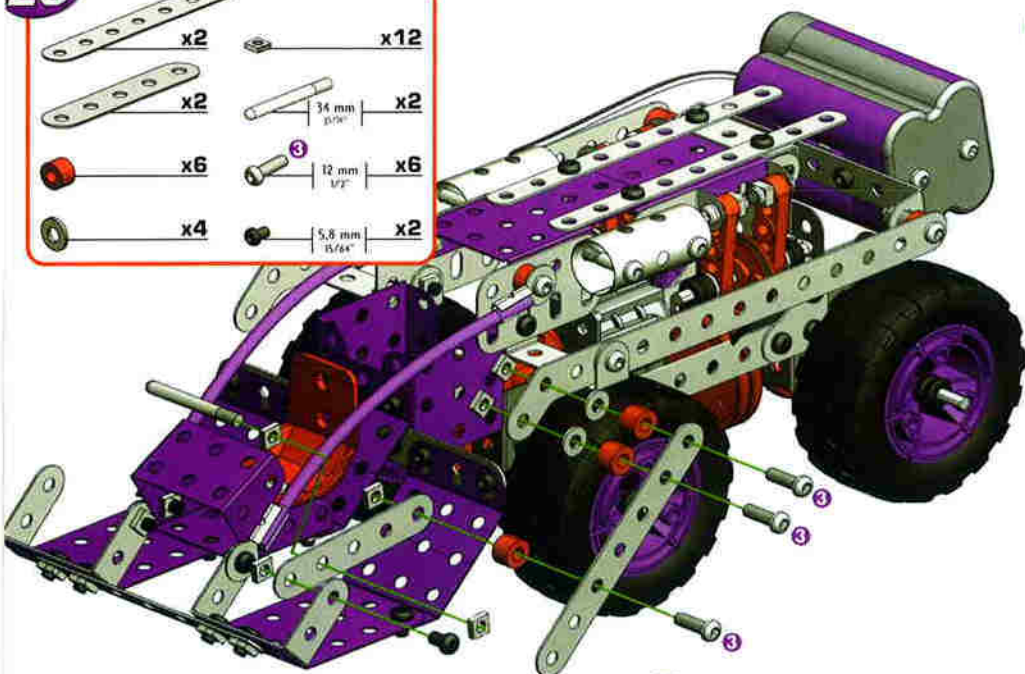
-  x2
-  x1
-  x2
-  x2
-  x2
-  x4
-  19 mm | 3/4" | x2
-  9.5 mm | 3/8" | x2
-  5.8 mm | 5/64" | x2



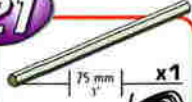










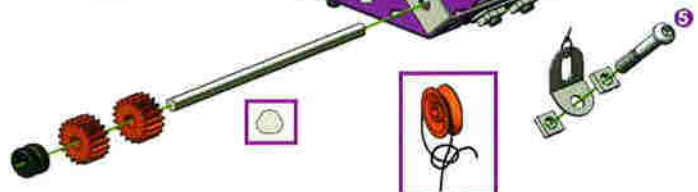
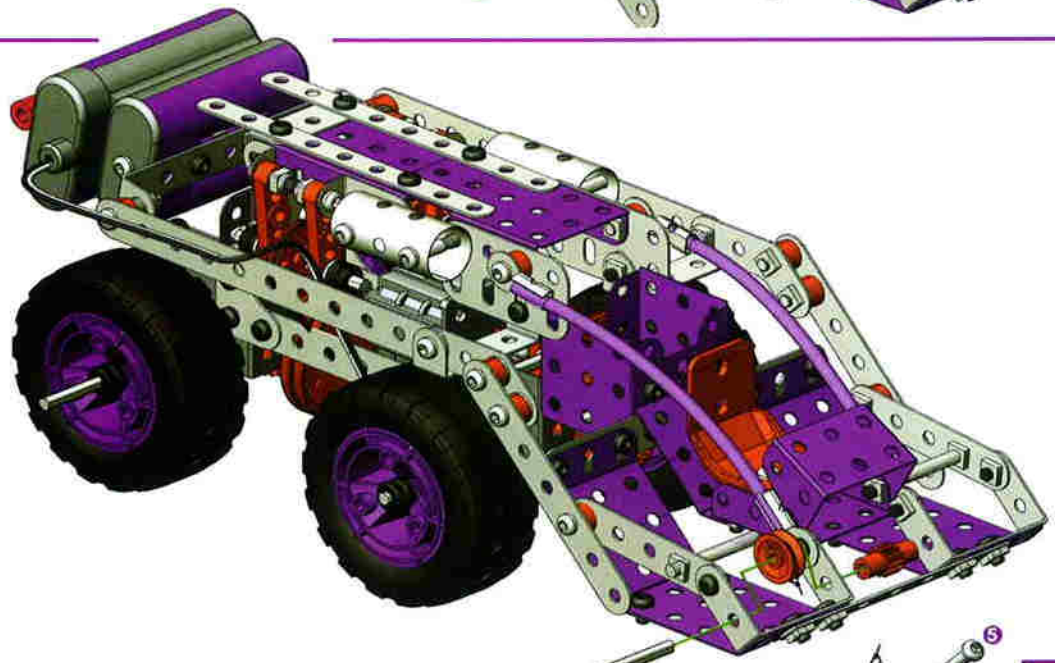
20





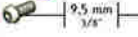
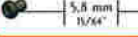
-  x2
-  x2
-  x6
-  x4
-  x12
-  34 mm 1 3/8" x2
-  12 mm 1/2" x6
-  5,8 mm 5/64" x2

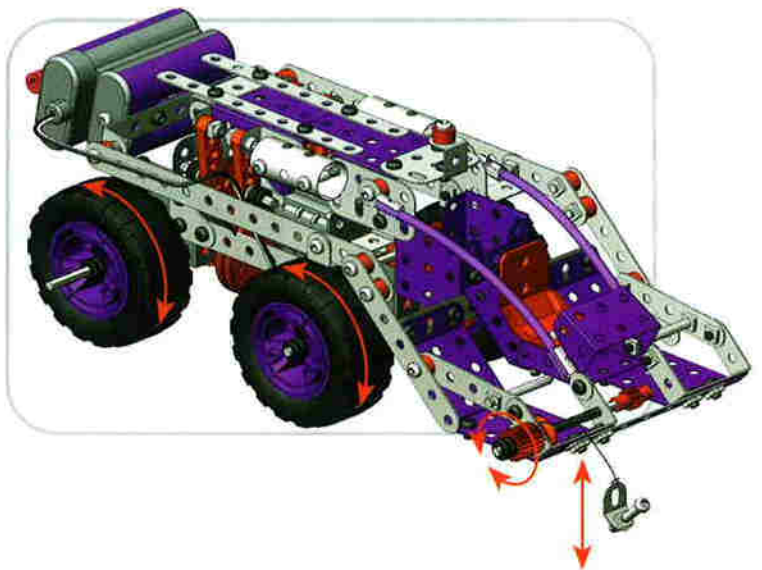
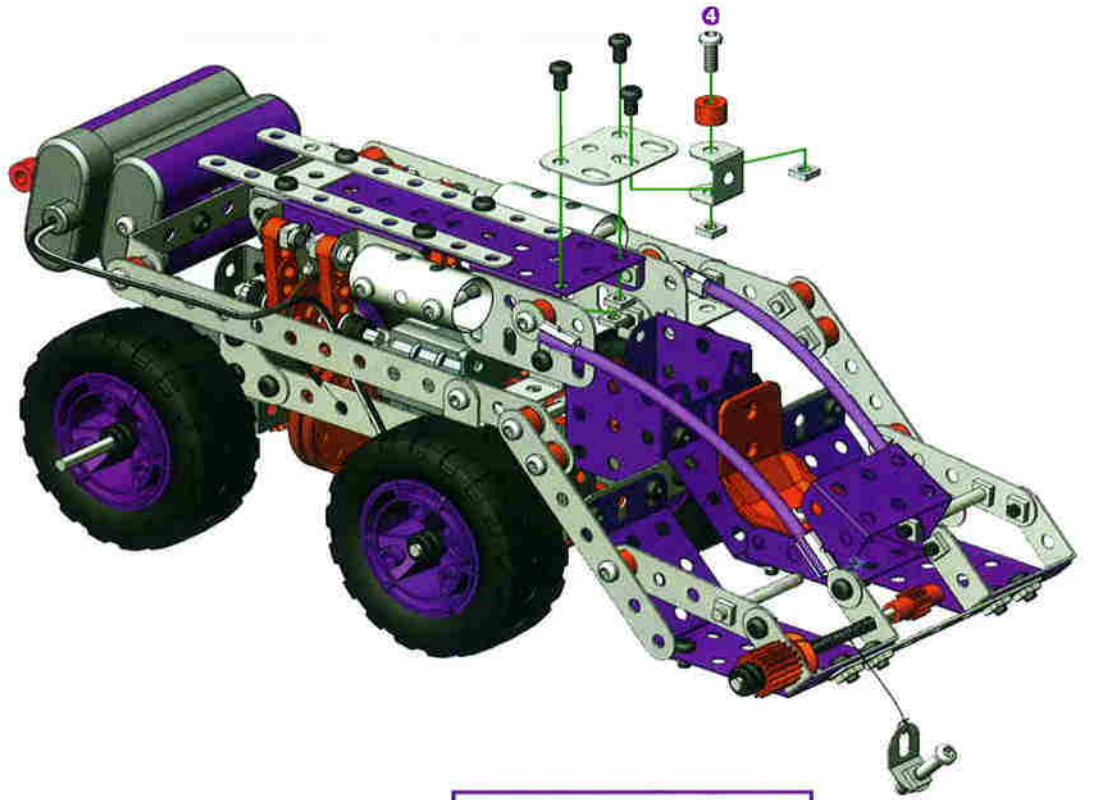


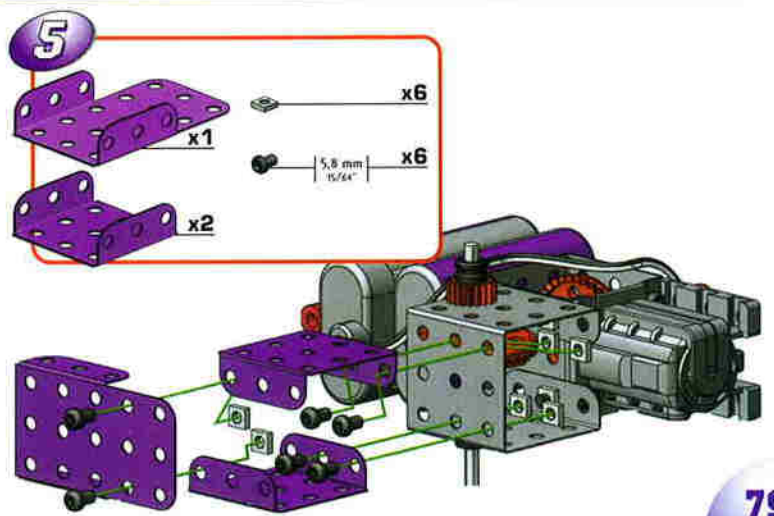
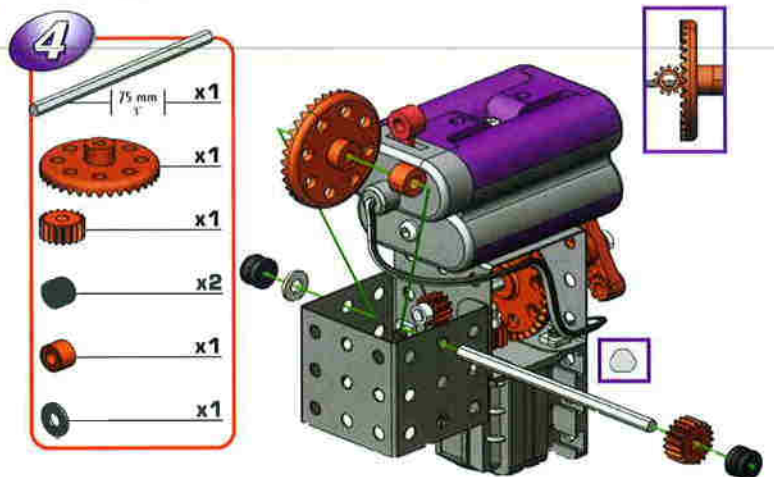
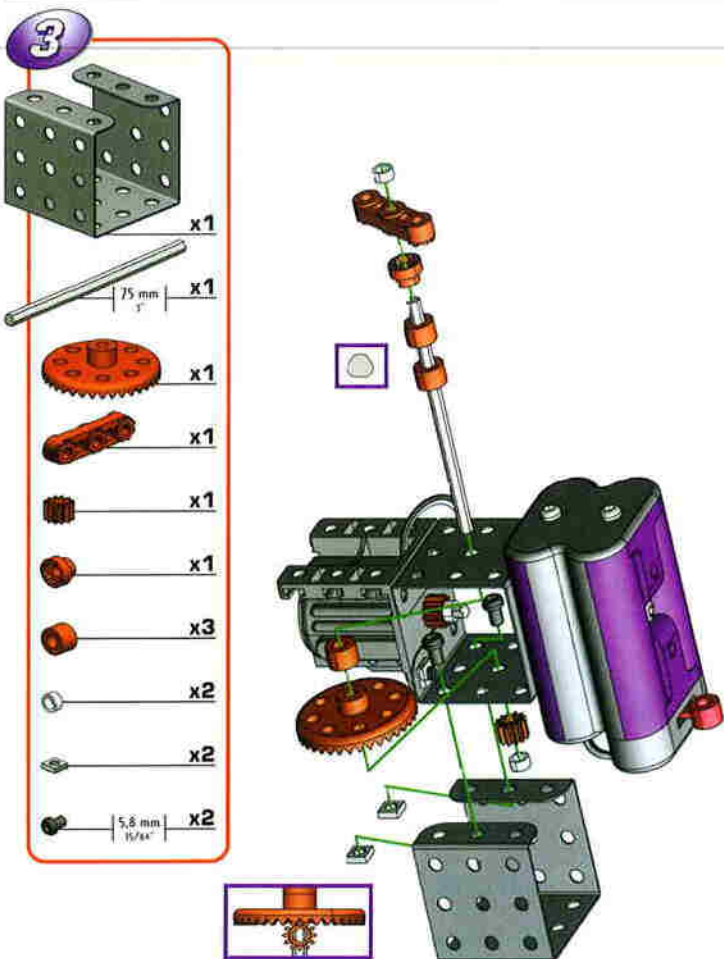
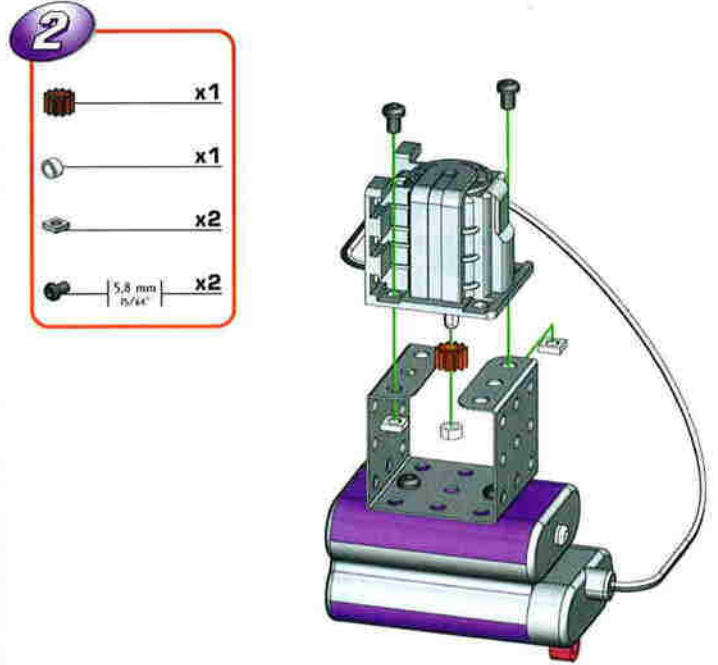
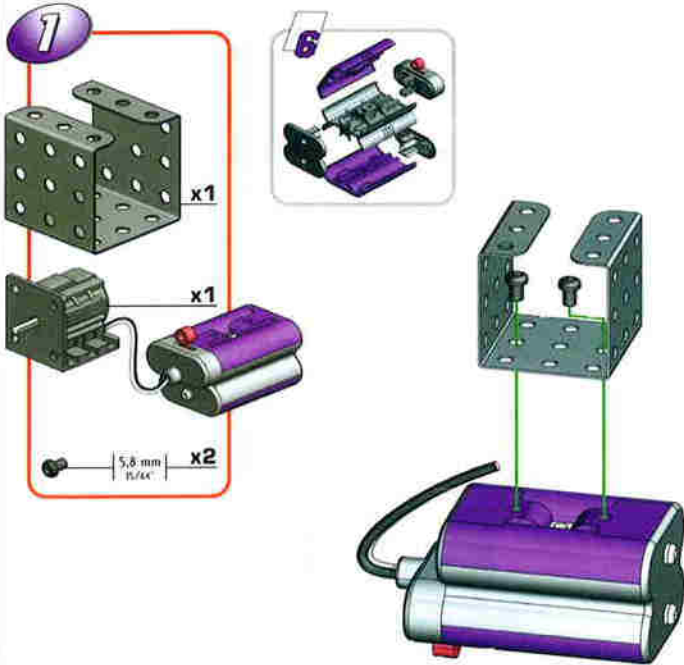
21

-  75 mm 3" x1
-  1,50 m 40" x1
-  x1
-  x2
-  x1
-  x1
-  x1
-  x2
-  23 mm 1 1/8" x1

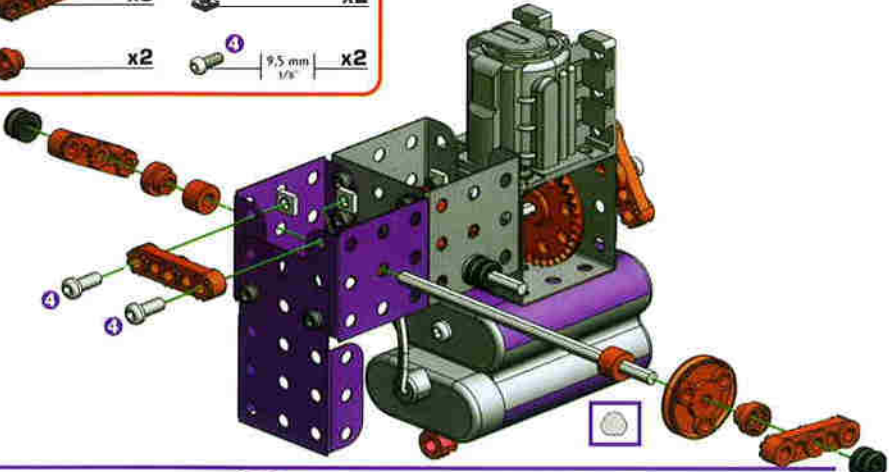


-  x1
-  x1
-  x1
-  x4
-  x1
-  x3

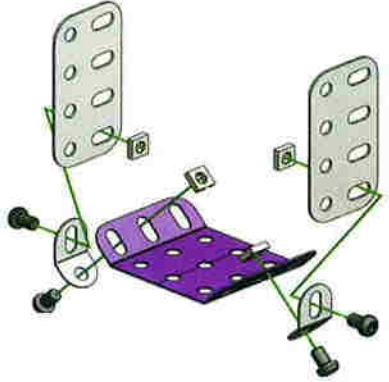




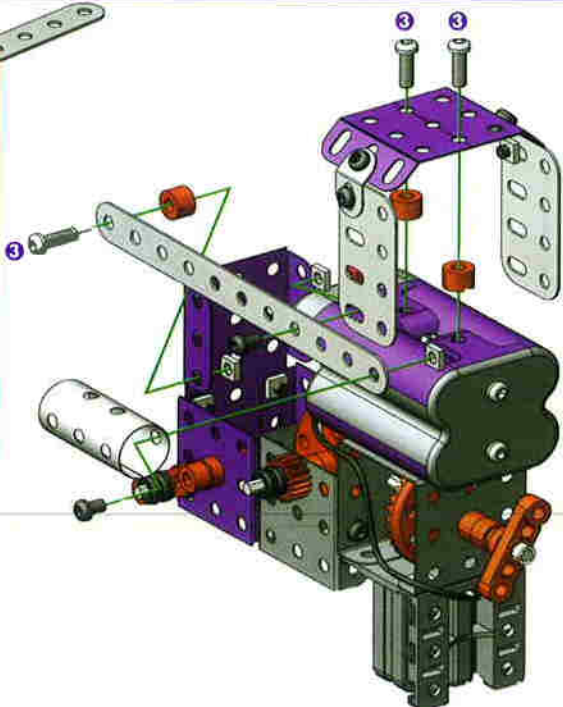
- 6**
- 100 mm $\frac{1}{2}$ " x1
 - x1
 - x1
 - x3
 - x2
 - x2
 - x2
 - 9.5 mm $\frac{3}{8}$ " x2



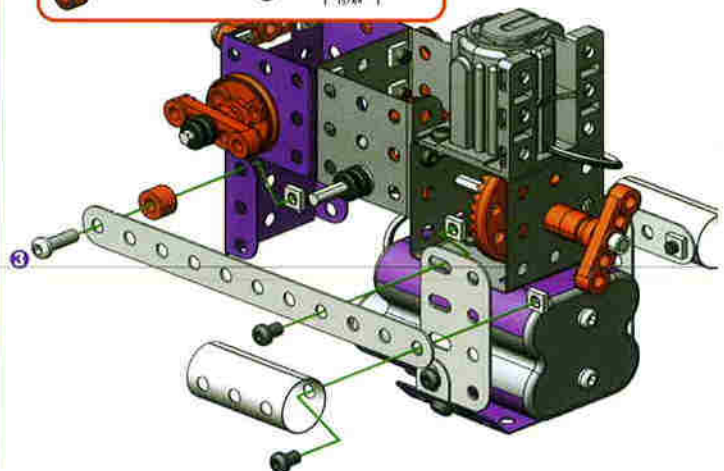
- 7**
- x1
 - x2
 - x2
 - x4
 - 5.8 mm $\frac{15}{64}$ " x4



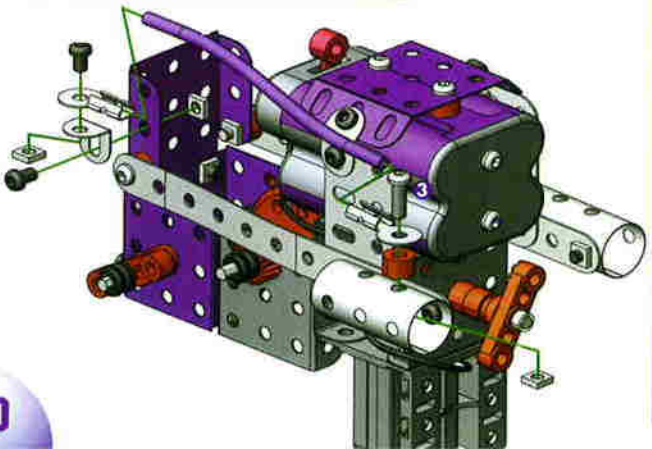
- 8**
- x1
 - x1
 - x3
 - x3
 - 12 mm $\frac{1}{2}$ " x3
 - 5.8 mm $\frac{15}{64}$ " x2



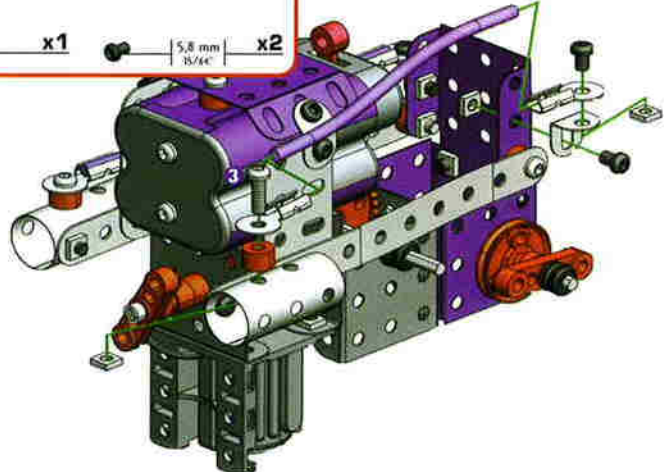
- 9**
- x1
 - x1
 - x1
 - x3
 - 12 mm $\frac{1}{2}$ " x1
 - 5.8 mm $\frac{15}{64}$ " x2



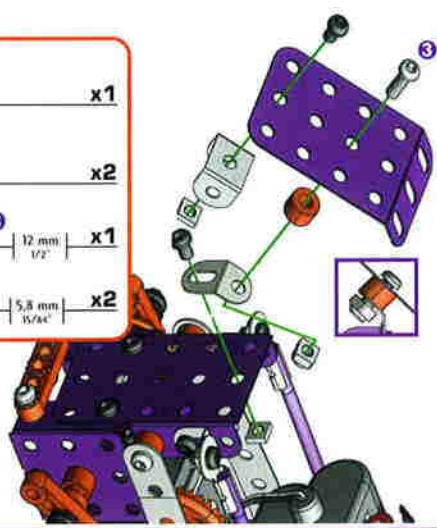
- 10**
- 120 mm $\frac{1}{2}$ " x1
 - x1
 - x2
 - x1
 - x3
 - 12 mm $\frac{1}{2}$ " x1
 - 5.8 mm $\frac{15}{64}$ " x2



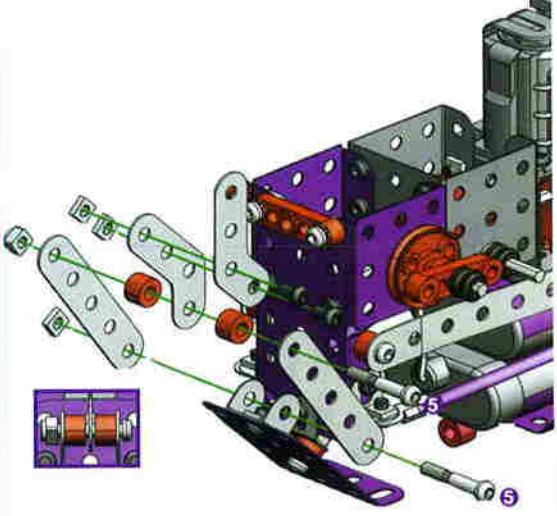
- 11**
- 120 mm $\frac{1}{2}$ " x1
 - x1
 - x2
 - x1
 - x3
 - 12 mm $\frac{1}{2}$ " x1
 - 5.8 mm $\frac{15}{64}$ " x2



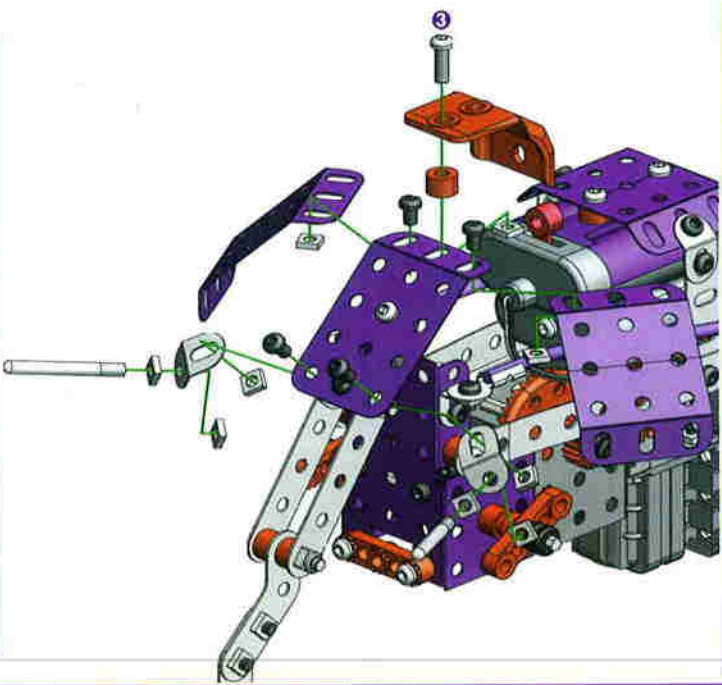
- 12**
- 1x1 Purple Technic Plate with 4 holes x1
 - Grey Technic L-Bracket x1
 - Grey Technic L-Bracket x1
 - Grey Technic L-Bracket x1
 - Grey Technic Pin x1
 - Grey Technic Pin x2
 - Grey Technic Pin x1
 - Grey Technic Pin x2
 - Grey Technic Pin x1
 - Grey Technic Pin x2



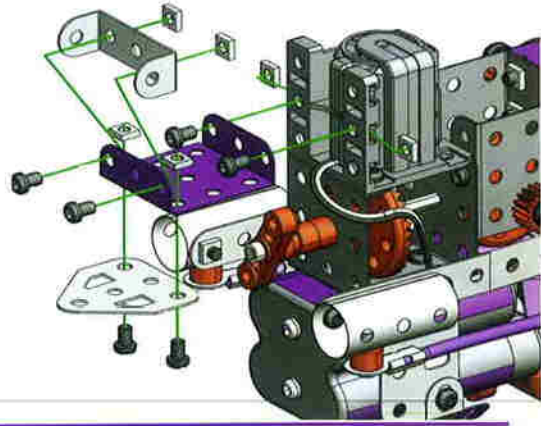
- 13**
- Grey Technic L-Bracket x2
 - Grey Technic L-Bracket x2
 - Grey Technic Pin x2
 - Grey Technic Pin x1
 - Grey Technic Pin x3
 - Grey Technic Pin x2
 - Grey Technic Pin x2



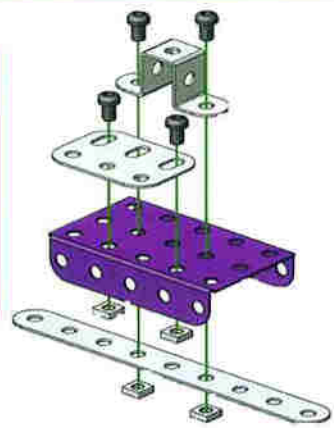
- 14**
- 1x1 Purple Technic Plate with 4 holes x2
 - Orange Technic L-Bracket x1
 - Grey Technic Pin x2
 - Grey Technic Pin x2
 - Grey Technic Pin x1
 - Grey Technic Pin x9
 - Grey Technic Pin x1
 - Grey Technic Pin x4



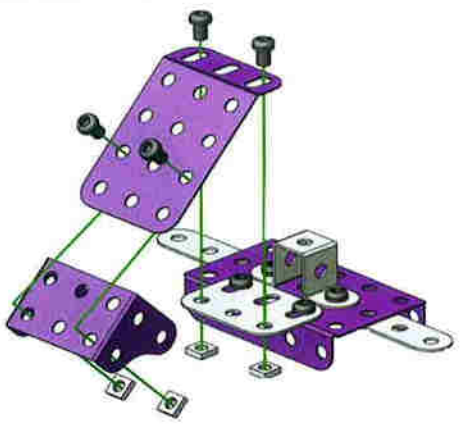
- 15**
- Grey Technic L-Bracket x1
 - Grey Technic L-Bracket x1
 - Grey Technic Pin x6
 - Grey Technic Pin x6



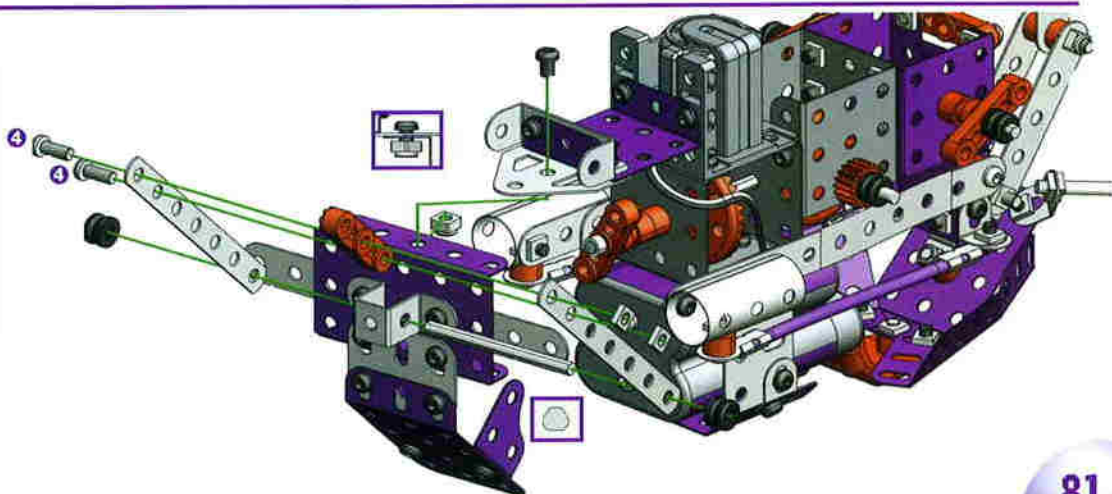
- 16**
- Grey Technic L-Bracket x1
 - Grey Technic L-Bracket x1
 - Grey Technic L-Bracket x1
 - Grey Technic L-Bracket x1
 - Grey Technic Pin x4
 - Grey Technic Pin x4



- 17**
- 1x1 Purple Technic Plate with 4 holes x1
 - Grey Technic L-Bracket x1
 - Grey Technic Pin x4
 - Grey Technic Pin x4



- 18**
- Grey Technic L-Bracket x2
 - Grey Technic Pin x1
 - Grey Technic Pin x1
 - Grey Technic Pin x2
 - Grey Technic Pin x1
 - Grey Technic Pin x2
 - Grey Technic Pin x2
 - Grey Technic Pin x1



19

- x2
- x2
- x4
- x4
- 19 mm 3/4" x2
- 5,8 mm 1/8" x2

20

- x2
- x2
- x2
- x2
- 23 mm 29/32" x2

21

- 150 mm 6" x1
- 75 mm 3" x1
- x1
- x2
- x1






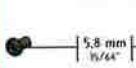
22

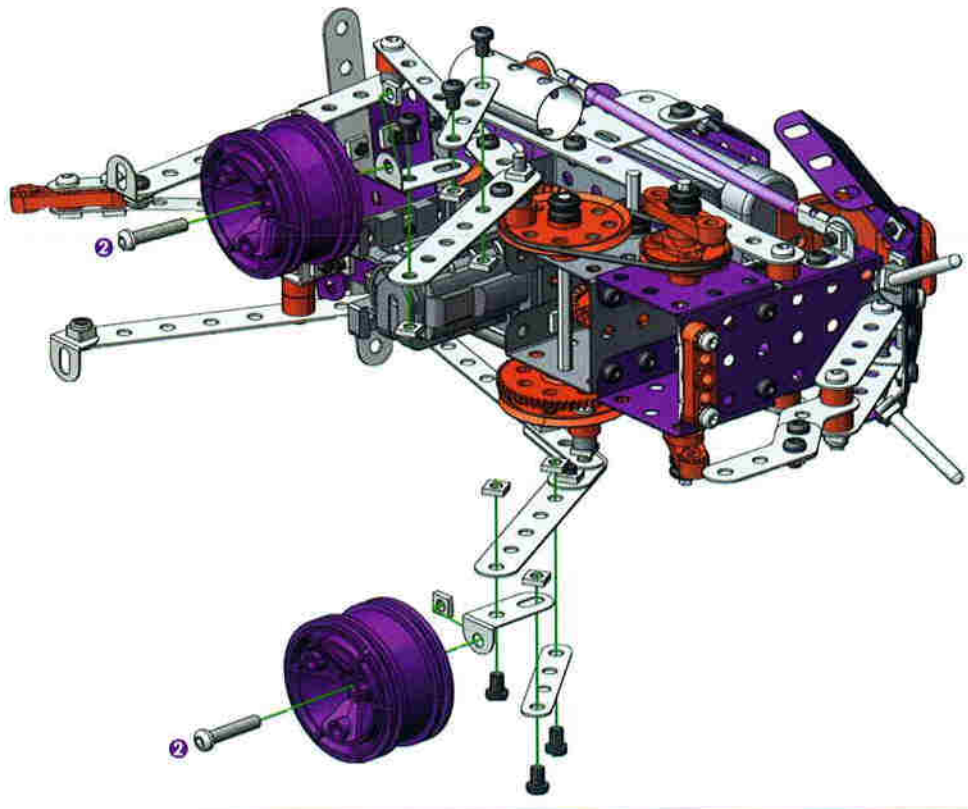
- x1
- x1
- x1
- x1
- x1
- x1
- x3
- 19 mm 3/4" x1
- 5,8 mm 1/8" x2

23




- x1
- x1
- x1
- x1
- x1
- x1
- x3
- 19 mm 3/4" x1
- 5,8 mm 1/8" x2

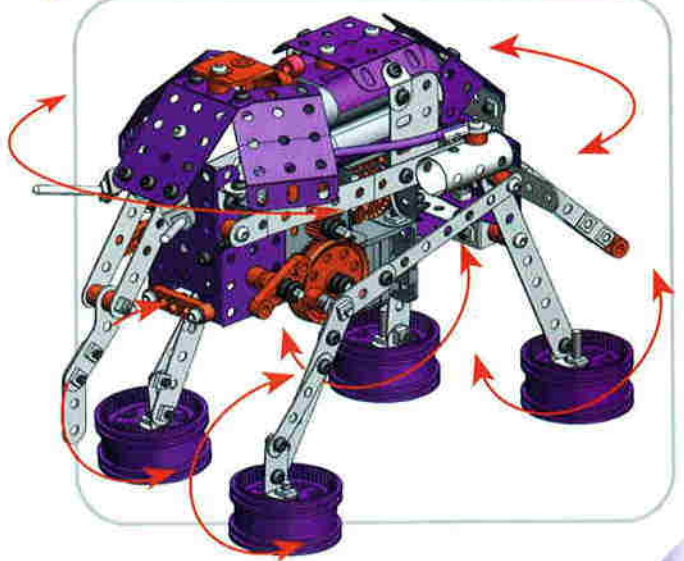
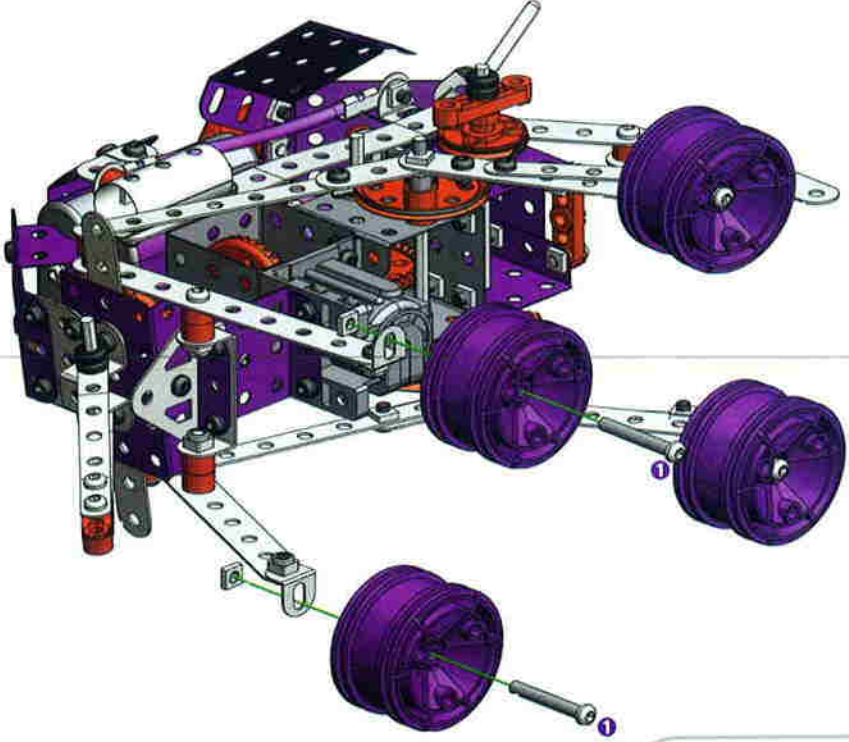
24

-  x2
-  x2
-  x2
-  x8
-  19 mm
3/4" x2
-  5,8 mm
1/4" x6

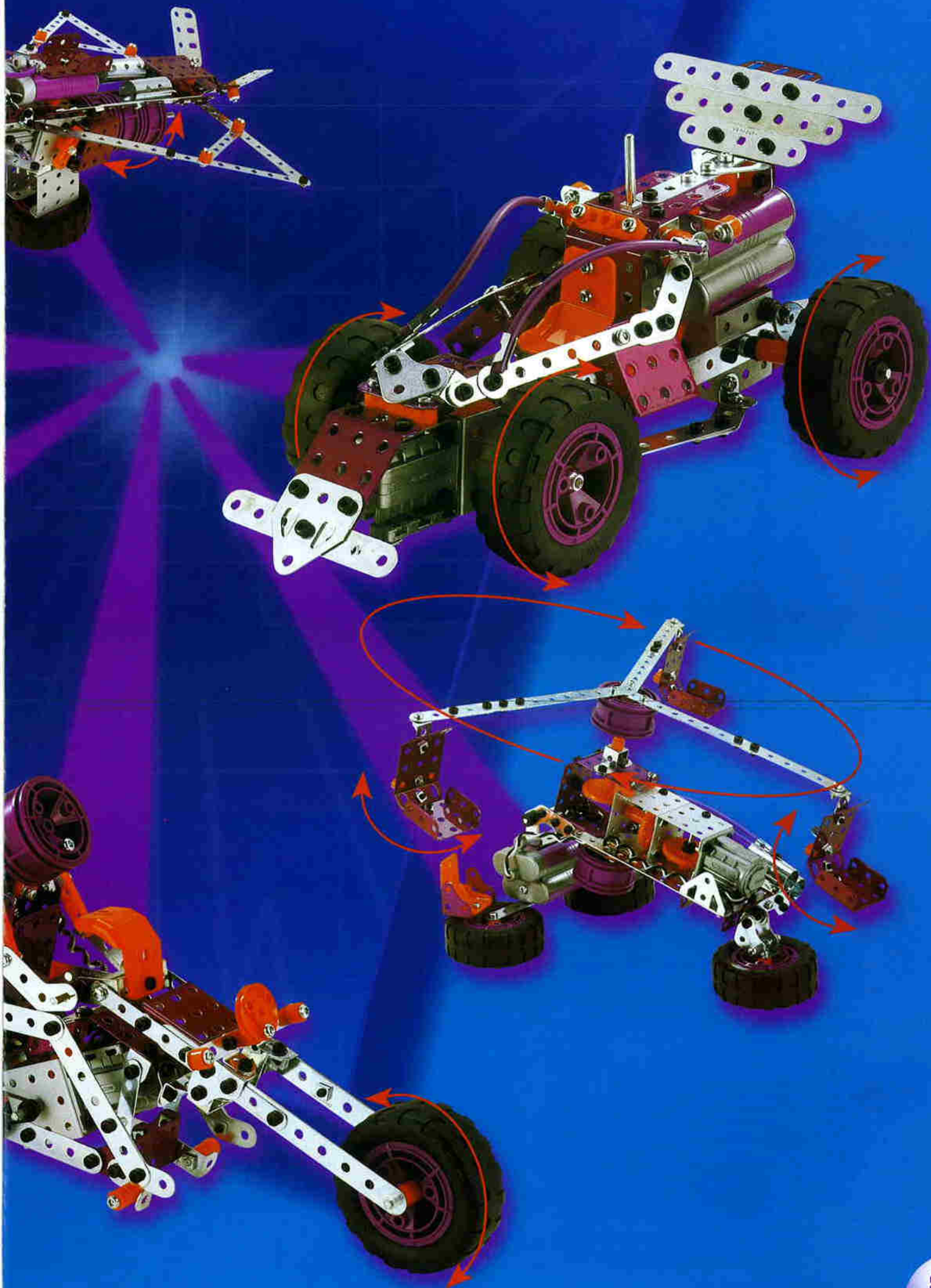


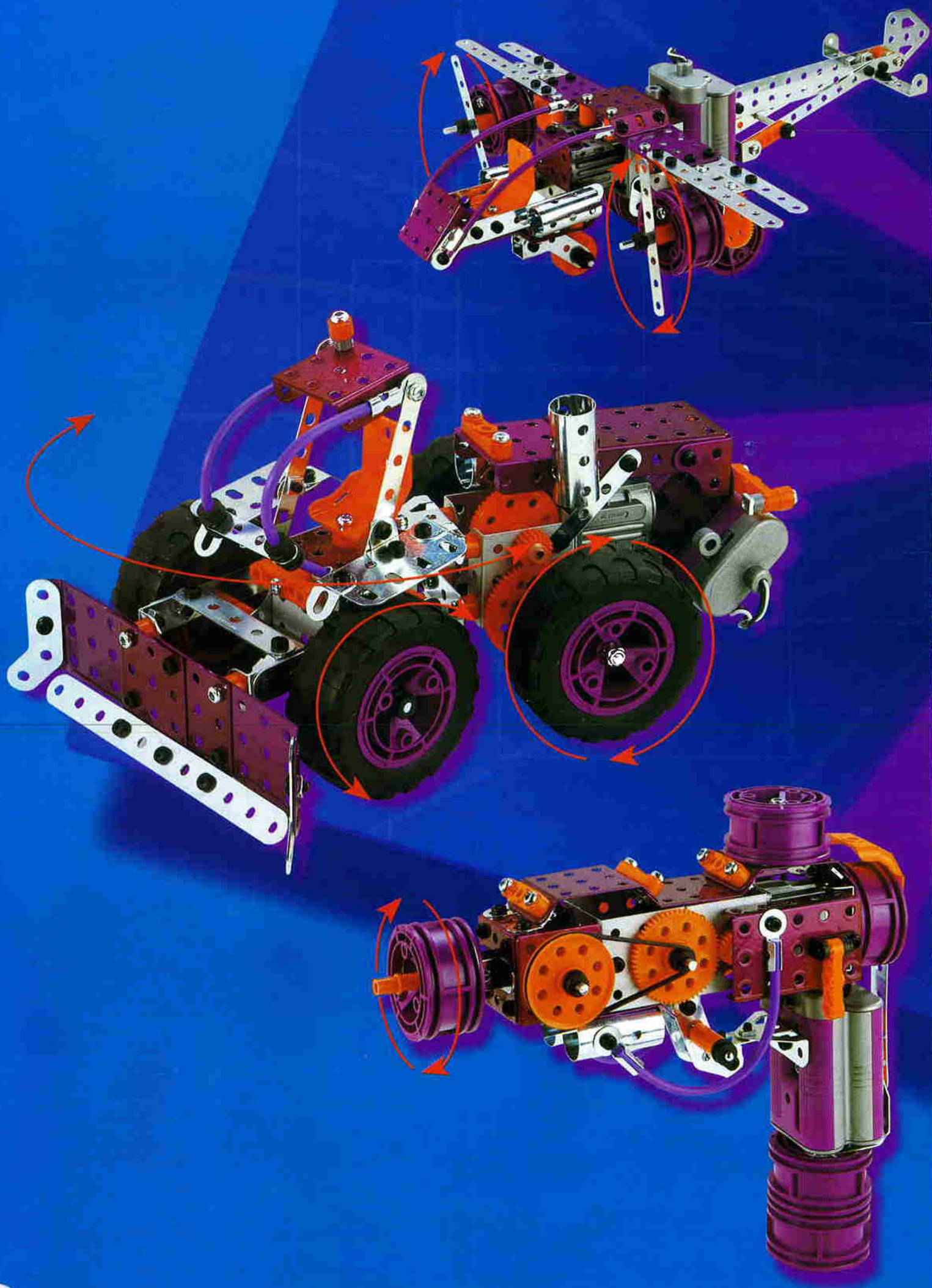
25

-  x2
-  x2
-  25 mm
1" x2

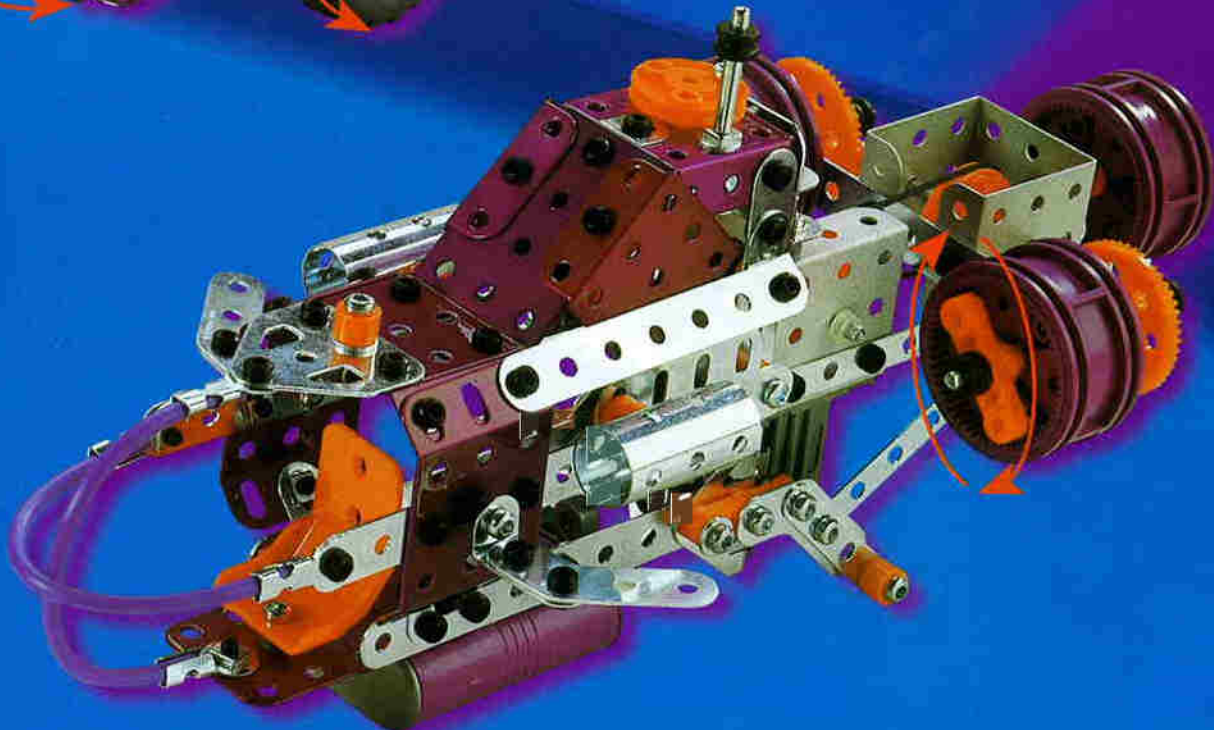
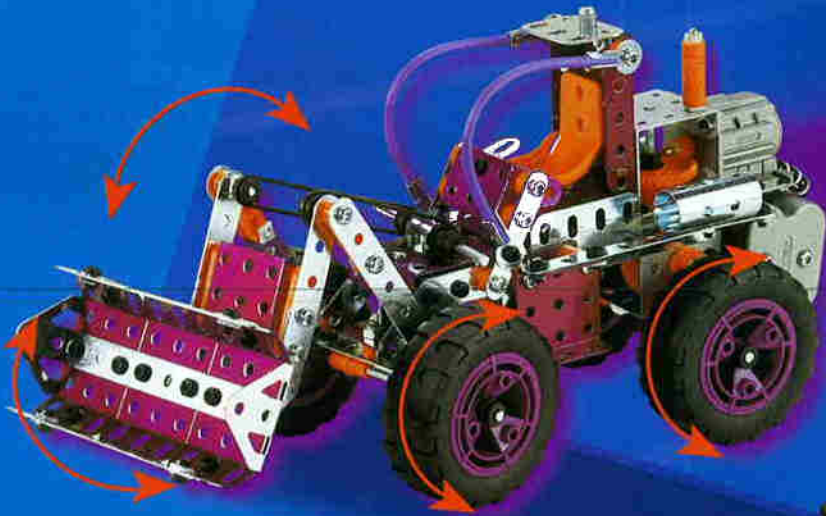




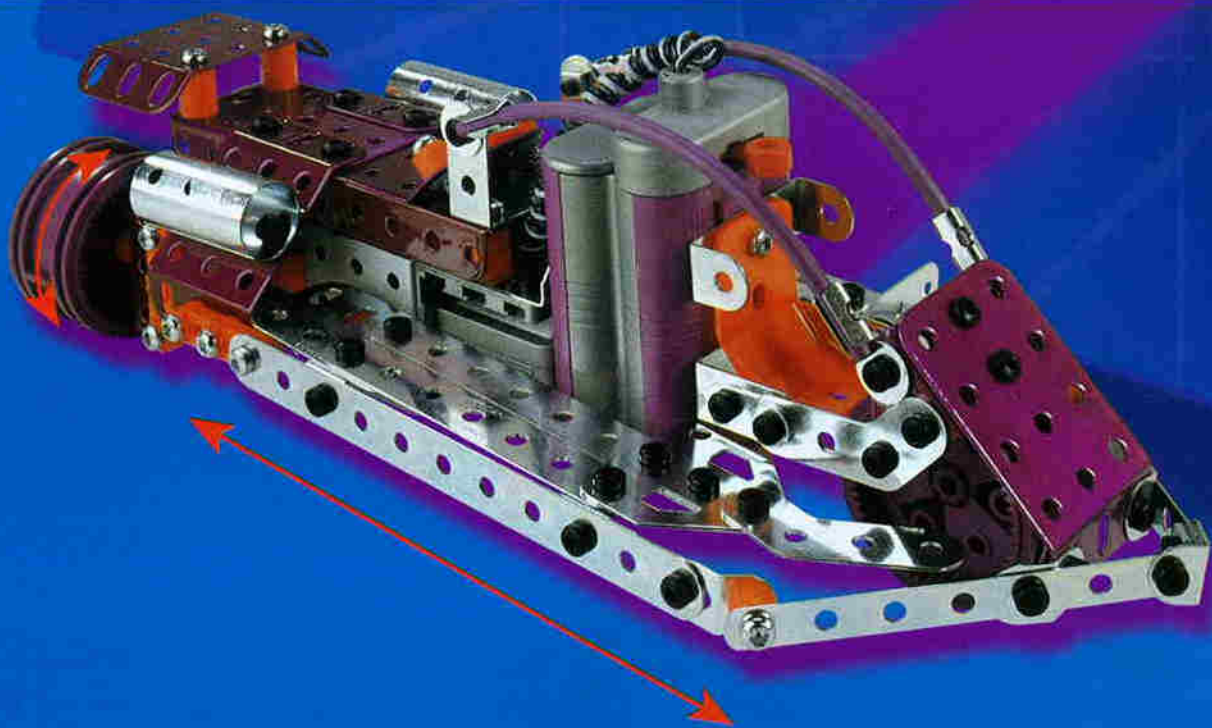














GB Standard batteries must not be recharged. Rechargeable batteries must be removed from the toy before being recharged (if it is possible to remove them). Rechargeable batteries must only be recharged under adult supervision if it is possible to remove them. Do not mix different types of batteries together or new with old rechargeable / non rechargeable batteries. Only batteries of the recommended type or a similar type should be used. Batteries must be fitted in accordance with their instructions. Remove used batteries from the toy. Battery terminals must not be short-circuited. Please keep instructions.

F Les piles ne doivent pas être rechargeables. Les accumulateurs doivent être enlevés du jouet avant d'être chargés (s'il est possible de les enlever). Les accumulateurs ne doivent être chargés que sous la surveillance d'un adulte (s'il est possible de les enlever). Différents types de piles ou accumulateurs ou de piles ou accumulateurs neufs et usagés ne doivent pas être mélangés. Seuls des piles ou accumulateurs du type recommandé ou d'un type similaire doivent être utilisés. Les piles et accumulateurs doivent être mis en place en respectant la polarité. Les piles et accumulateurs usagés doivent être enlevés du jouet. Les bornes d'une pile ou d'un accumulateur ne doivent pas être mises en court-circuit. Indications à conserver.

D Die Batterien dürfen nicht wieder aufgeladen werden. Die Akkus müssen vor dem Nachladen aus dem Spielzeug genommen werden (wenn sie ausgebaut werden können). Unterschiedliche Arten von Batterien und Akkus oder neue und gebrauchte Batterien bzw. Akkus dürfen nicht zusammen verwendet werden. Es dürfen nur Batterien bzw. Akkus der empfohlenen Art oder einer ähnlichen Art verwendet werden. Beim Einsetzen der Batterien bzw. Akkus auf die richtige Polung achten. Verbrauchte Batterien bzw. Akkus bitte aus dem Spielzeug entfernen. Die Klammern der Batterien bzw. Akkus dürfen nicht kurzgeschlossen werden. Diese Anweisungen bitte aufbewahren.

I Le pile non devono essere ricaricabili. Gli accumulatori devono essere rimossi dal giocattolo prima di essere ricaricati (se è possibile toglierli). Gli accumulatori devono essere caricati solo sotto la supervisione di un adulto (se è possibile toglierli). Non possono essere miscelati tipi diversi di pile o di accumulatori oppure pile o accumulatori nuovi e usati. Si devono usare solo pile o accumulatori del tipo raccomandato o di un tipo simile. Le pile e gli accumulatori devono venire sistemati rispettando la polarità. Le pile e gli accumulatori usati devono essere rimossi dal giocattolo. I terminali di una pila o di un accumulatore non devono essere messi in cortocircuito. Conservare queste istruzioni.

E Las pilas no deberán ser recargadas. Haber de retirar los acumuladores del juguete antes de proceder a recargarlos (si es que pueden retirarse). Los acumuladores solo se recargarán bajo la vigilancia de una persona adulta (si es que pueden retirarse). No deberán mezclarse diferentes tipos de pilas o acumuladores o de pilas o acumuladores nuevos y usados. Solo de utilizar pilas o acumuladores del tipo recomendado o de un tipo similar. Las pilas y acumuladores deberán colocarse respetando la polaridad. Deberán retirarse del juguete las pilas y acumuladores usados. Las bornas de una pila o de un acumulador no deberán estar cortocircuitadas. Conservar estas indicaciones.

P As pilas não devem ser recarregadas. Os acumuladores devem ser retirados do brinquedo antes de serem carregados (quando possível). Os acumuladores devem ser carregados somente sob supervisão de um adulto (se não puderem ser removidos). Não devem ser misturados diferentes tipos de pilas ou acumuladores ou pilas ou acumuladores novos e usados. Somente devem ser usados pilas ou acumuladores do tipo recomendado ou de um tipo similar. As pilas e acumuladores deverão ser colocadas respeitando a polaridade. Devem ser removidas do brinquedo as pilas e acumuladores utilizados. Os pólos de uma pila ou de um acumulador não devem ser curto-circuitados. Indicações a conservar.

S Batterierna skall inte laddas om. Akkumulatort batterierna skall tas av från lekaren innan de laddas (om de kan tas av). Olika typer av batterier eller akkumulatort batterier skall inte blandas. Nya och använda batterier eller akkumulatort batterier skall inte blandas. Använd endast rekommenderade typer eller liknande typer av batterier eller akkumulatort batterier. Batterierna och akkumulatort batterierna skall sättas i med hänsyn till polarerna. Använda batterier och akkumulatort batterier skall tas av från lekaren. Kontakta inte på ett batteri eller ett akkumulatort batteri till lika körlinor. Bevara anvisningarna.

FIN Many of the models and component parts are unique and original designs which are the property of MECCANO S.A. They are protected by national legislation as industrial designs, trademarks and/or copyrights throughout many countries. For detailed information, please contact MECCANO S.A. MECCANO S.A. accepts no responsibility for: (1) failure to follow instructions, (2) use for any purpose other than as specified in the instructions (3) any alteration of any parts or components. MECCANO S.A. respects children's safety: all models are tested by children.

FL Si nonimatis modelle e pezzi non creati originali, proprietà di MECCANO S.A. e sono protetti dalle legislazioni nazionali sui disegni e modelli, marchi e diritti d'autore. Per qualsiasi informazione, segnalare prendere contatto con MECCANO S.A. MECCANO S.A. assume ogni responsabilità in caso d'incidenti sopravvenuti in seguito a: (1) non rispetto delle istruzioni di montaggio (2) utilizzo dei pezzi per funzioni diverse da quelle previste nel manuale (3) alterazione o modifica dei pezzi. La società MECCANO rispetta la sicurezza dei bambini: i suoi modelli vengono testati dai bambini stessi.

DE Zahlreiche Modelle und Teile sind Erfindungen und Eigentum der Firma MECCANO S.A. Sie sind durch nationale Gesetze über Zeichnungen und Modelle sowie Warenzeichen und oder Urheberrechte geschützt. Für weitere Informationen wenden Sie sich bitte an: MECCANO S.A. Die Firma MECCANO S.A. haftet nicht für Unfälle, die aus der (1) Nichtbefolgung der Bauanweisungen, (2) Verwendung anderer als in der Bauanleitung angegebenen Teile oder der (3) Änderung oder Modifikation der Teile resultieren. Alle Modelle der Firma MECCANO S.A. wurden von Kindern getestet und entsprechen dem Sicherheitsnormen.

PT Numerosi modelli e pezzi sono creazioni originali della MECCANO S.A. e sono protetti dalle legislazioni nazionali sui disegni e modelli, marchi e diritti d'autore. Per qualsiasi informazione, segnalare prendere contatto con MECCANO S.A. MECCANO S.A. assume ogni responsabilità in caso d'incidenti sopravvenuti in seguito a: (1) non rispetto delle istruzioni di montaggio (2) utilizzo dei pezzi per funzioni diverse da quelle previste nel manuale (3) alterazione o modifica dei pezzi. La società MECCANO rispetta la sicurezza dei bambini: i suoi modelli vengono testati dai bambini stessi.

E Numerosos modelos y piezas son creaciones originales, propiedades de MECCANO S.A. y están protegidos por las legislaciones nacionales en lo que concierne a los dibujos y modelos, marcas y/o derechos de autor. Para cualquier información, avisar mediante un contacto con MECCANO S.A. MECCANO S.A. acepta no responsabilidad por caso de accidentes debidos a: (1) no cumplimiento de las instrucciones de montaje (2) uso de utilización de los piezas diferentes a la que se indica en las instrucciones (3) una alteración o modificación de las piezas. La sociedad MECCANO respeta la seguridad de los niños: sus modelos están probados por niños.

P Vários modelos e peças são criações originais, propriedades da MECCANO S.A. e são protegidos pelas legislações nacionais relativas aos desenhos e modelos, marcas e/ou aos direitos de autor. Para qualquer informação, e favor contactar a MECCANO S.A. A Sociedade MECCANO S.A. não poderá ser responsabilizada pelos acidentes provocados, (1) pela falta de cumprimento das instruções de montagem (2) pelo uso indevido das peças ou (3) pela modificação ou alteração das peças. A Sociedade MECCANO respeita a segurança dos crianças: os seus modelos foram testados por crianças.

G Många modeller och delar bidrar på unik och original förhållning vilken är MECCANO S.A. egendom. Dessa modeller och delar är skyddade genom lagstiftning såsom industriell formgivning, varumärken och/eller upphovsrättsligt i ett stort antal länder. För mer detaljerad information, vänlig och kontakta MECCANO S.A. MECCANO S.A. ansvarar inte för olyckor som följer av: (1) icke följsamt på instruktionerna (2) icke användning av delarna på annat sätt än i anvisningarna (3) en förändring eller förändring av delarna. Företaget MECCANO respekterar barnsäkerheten: modellerna har testats av barn.

FIN Palloja ei saa ladata uudelleen. Akut onettava pois leikkailusta ennen lataamista (jos se on mahdollista). Akut saa ladata vain aikuisen valvonnassa (jos ne voidaan ottaa pois). Erilyyppien palloja tai akkuja ei saa käyttää yhdessä, samoin ei saa sekoittaa akkuja joi uusia joi vanhoja palloja. Vain suositeltuja akkuja tai pinoittolppia saa käyttää tai tyypin. Pila on samat ominaisuudet. Pienin ja vähin osatettava pakettiin liian, että näet luvut osien osien Loppukäyttöturvallisuudelta tai akku onettava leikkailusta pois. Akun tai pandojen napojen ei saa kytkeä. Ohjeet on pidettävä kiinni.

DK Batterierne må ikke oplades. Akkumulatort batterier skal tages ud af legetøjet, inden de lades op (hvis de kan tages ud). Akkumulatort batterierne må kun lades op under opsyn af voksne (hvis de kan tages ud). Forskellige typer batterier og akkumulatort batterier, eller nye og brugte batterier, må ikke blandes sammen. (Der må kun anvendes batterier eller akkumulatort batterier af den type der er anbefalet eller tilsvarende modeller). Batterier og akkumulatort batterier skal vendes rigtigt (+/- polar). Brugte batterier og akkumulatort batterier skal tages ud af legetøjet. Klemmerne på et batteri eller et akkumulatort batteri må ikke kortsluttes. Disse instruktioner bør opbevares.

NL De batterijen mogen niet weer opgeladen worden. De accu's moeten voor het laden uit het speelgoed worden verwijderd (wanneer ze verwijderd kunnen worden). Gebruik nooit verschillende typen batterijen of accu's of geladen of nieuw (wanneer ze verwijderd kunnen worden). Gebruik alleen batterijen of accu's van het aanbevolen type of van een gelijkwaardig type. Lee bij het plaatsen valt de batterijen niet goed of juist polariteit. De afgevoerde batterijen en accu's dienen uit het speelgoed verwijderd te worden. De aanpakkingen van een batterij of van een accu mogen niet kortgesloten worden. Aanwijzingen om te bewaart.

GR Οι μπαταρίες δεν πρέπει να επαναφορτίζονται. Οι αποφορτισμένες μπαταρίες να αφαιρεθούν από το παιχνίδι πριν τη φόρτιση (εάν μπορεί να αφαιρεθούν). Οι αποφορτισμένες μπαταρίες ή φορητές μπαταρίες (εάν είναι δυνατόν) να μην φορτιστούν. Δεν πρέπει να αναμιγνύονται διαφορετικά είδη μπαταριών ή αποφορτισμένων ή φορητών μπαταριών με άλλων. Πρέπει να χρησιμοποιούνται μόνο μπαταρίες ή αποφορτισμένες ή φορητές μπαταρίες ή του προτεινόμενου τύπου. Οι μπαταρίες και οι αποφορτισμένες ή φορητές μπαταρίες ομοίως με τις φορητές μπαταρίες. Οι μπαταρίες μπαταριών και οι μπαταρίες αποφορτισμένες ή φορητές μπαταρίες από το παιχνίδι. Οι πόλοι ενός μπαταρίας ή ενός αποφορτισμένης ή φορητής μπαταρίας να βρεθούν σωστά. Διατηρήστε τις οδηγίες.

JPN 本製品の多くは独自のデザインであり、MECCANO S.A. の特許権や著作権、商標権等によって保護されています。MECCANO S.A. は、(1) 組み立て説明書に従わずに使用すること、(2) 説明書で指定された以外の用途での使用、(3) 部品の変更または変更による事故に対する責任を負いません。MECCANO S.A. は、子供に安全な遊具を提供することを重視しています。すべてのモデルは子供によってテストされています。

USA Many of the models and component parts incorporate original designs which are the property of MECCANO S.A. They are protected by design and/or utility patent and/or copyright information. For detailed information, please contact MECCANO S.A. MECCANO S.A. accepts no responsibility for: 1. Failure to follow instructions, 2. Use of parts for any purpose other than as specified in the instruction booklet, 3. Any alteration of any parts or components. MECCANO S.A. takes children's safety very seriously: all models are tested by children.

DK Mange modeller og dele i originale fremstillinger og ejes af MECCANO S.A. Tegninger, modeller, varemærker, handels- og forfatterrettigheder og andre rettigheder beskytter disse. MECCANO S.A. anerkender ikke ansvar for: (1) afvigelse fra anvisningerne, (2) brug af dele til andre formål end som beskrevet i anvisningerne, (3) ændringer af dele. MECCANO S.A. tager børns sikkerhed meget alvorligt: alle modeller er testet af børn.

GR Πολλά μοντέλα και ανταλλακτικά είναι εφευρέσεις, ιδιοκτησία της MECCANO S.A. και προστατεύονται από τις εθνικές νομοθεσίες για σχέδια, δικαιώματα υφιστάμενα και/ή πατέντες. Η MECCANO S.A. δε φέρει ευθύνη για ατυχήματα που προκύπτουν από: (1) μη τήρηση των οδηγιών, (2) μη χρήση των ανταλλακτικών για σκοπούς διαφορετικούς από αυτούς που αναφέρονται στις οδηγίες, (3) οποιαδήποτε αλλαγή ή τροποποίηση των ανταλλακτικών. Η MECCANO S.A. δίνει μεγάλη σημασία στην ασφάλεια των παιδιών: όλα τα μοντέλα δοκιμάζονται από παιδιά.

DK Många modeller og dele i originale fremstillinger og ejes af MECCANO S.A. Tegninger, modeller, varemærker, handels- og forfatterrettigheder og andre rettigheder beskytter disse. MECCANO S.A. anerkender ikke ansvar for: (1) afvigelse fra anvisningerne, (2) brug af dele til andre formål end som beskrevet i anvisningerne, (3) ændringer af dele. MECCANO S.A. tager børns sikkerhed meget alvorligt: alle modeller er testet af børn.

GR Πολλά μοντέλα και ανταλλακτικά είναι εφευρέσεις, ιδιοκτησία της MECCANO S.A. και προστατεύονται από τις εθνικές νομοθεσίες για σχέδια, δικαιώματα υφιστάμενα και/ή πατέντες. Η MECCANO S.A. δε φέρει ευθύνη για ατυχήματα που προκύπτουν από: (1) μη τήρηση των οδηγιών, (2) μη χρήση των ανταλλακτικών για σκοπούς διαφορετικούς από αυτούς που αναφέρονται στις οδηγίες, (3) οποιαδήποτε αλλαγή ή τροποποίηση των ανταλλακτικών. Η MECCANO S.A. δίνει μεγάλη σημασία στην ασφάλεια των παιδιών: όλα τα μοντέλα δοκιμάζονται από παιδιά.

GR Πολλά μοντέλα και ανταλλακτικά είναι εφευρέσεις, ιδιοκτησία της MECCANO S.A. και προστατεύονται από τις εθνικές νομοθεσίες για σχέδια, δικαιώματα υφιστάμενα και/ή πατέντες. Η MECCANO S.A. δε φέρει ευθύνη για ατυχήματα που προκύπτουν από: (1) μη τήρηση των οδηγιών, (2) μη χρήση των ανταλλακτικών για σκοπούς διαφορετικούς από αυτούς που αναφέρονται στις οδηγίες, (3) οποιαδήποτε αλλαγή ή τροποποίηση των ανταλλακτικών. Η MECCANO S.A. δίνει μεγάλη σημασία στην ασφάλεια των παιδιών: όλα τα μοντέλα δοκιμάζονται από παιδιά.

GR Πολλά μοντέλα και ανταλλακτικά είναι εφευρέσεις, ιδιοκτησία της MECCANO S.A. και προστατεύονται από τις εθνικές νομοθεσίες για σχέδια, δικαιώματα υφιστάμενα και/ή πατέντες. Η MECCANO S.A. δε φέρει ευθύνη για ατυχήματα που προκύπτουν από: (1) μη τήρηση των οδηγιών, (2) μη χρήση των ανταλλακτικών για σκοπούς διαφορετικούς από αυτούς που αναφέρονται στις οδηγίες, (3) οποιαδήποτε αλλαγή ή τροποποίηση των ανταλλακτικών. Η MECCANO S.A. δίνει μεγάλη σημασία στην ασφάλεια των παιδιών: όλα τα μοντέλα δοκιμάζονται από παιδιά.

GR Πολλά μοντέλα και ανταλλακτικά είναι εφευρέσεις, ιδιοκτησία της MECCANO S.A. και προστατεύονται από τις εθνικές νομοθεσίες για σχέδια, δικαιώματα υφιστάμενα και/ή πατέντες. Η MECCANO S.A. δε φέρει ευθύνη για ατυχήματα που προκύπτουν από: (1) μη τήρηση των οδηγιών, (2) μη χρήση των ανταλλακτικών για σκοπούς διαφορετικούς από αυτούς που αναφέρονται στις οδηγίες, (3) οποιαδήποτε αλλαγή ή τροποποίηση των ανταλλακτικών. Η MECCANO S.A. δίνει μεγάλη σημασία στην ασφάλεια των παιδιών: όλα τα μοντέλα δοκιμάζονται από παιδιά.

JPN 多くのモデルと部品が、MECCANO S.A. の独自のデザインであり、特許権や著作権、商標権等によって保護されています。MECCANO S.A. は、(1) 組み立て説明書に従わずに使用すること、(2) 説明書で指定された以外の用途での使用、(3) 部品の変更または変更による事故に対する責任を負いません。MECCANO S.A. は、子供に安全な遊具を提供することを重視しています。すべてのモデルは子供によってテストされています。

USA Many models and component parts incorporate original designs which are the property of MECCANO S.A. They are protected by design and/or utility patent and/or copyright information. For detailed information, please contact MECCANO S.A. MECCANO S.A. accepts no responsibility for: 1. Failure to follow instructions, 2. Use of parts for any purpose other than as specified in the instruction booklet, 3. Any alteration of any parts or components. MECCANO S.A. takes children's safety very seriously: all models are tested by children.

Made in France by:
Fabriqué en France par:
Hecho en Francia:



© 05/2001 MECCANO S.N. 363, avenue de Saint-Exupéry - F 62100 CALAIS
MECCANO®, MECCANO MOTION SYSTEM®, ERECTOR® AND ERECTOR MOTION SYSTEM™
are exclusive trademarks of MECCANO S.N. - All rights reserved

Consumer service / Service consommateurs / Verbaucher Service:
<http://www.meccano.com>

52 9260 1001 111