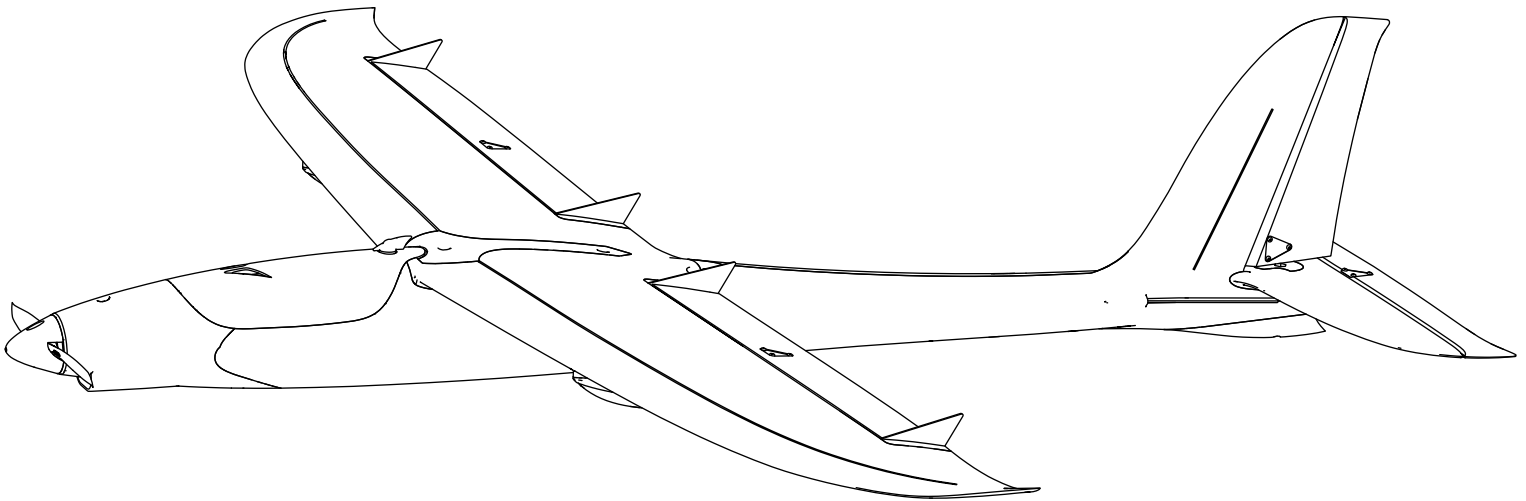


ElectroStreak 1.1m



Instruction Manual
Bedienungsanleitung
Manuel d'utilisation
Manuale di Istruzioni

Scan the QR code and select the Manuals and Support quick links from the product page for the most up-to-date manual information.
Scannen Sie den QR-Code und wählen Sie auf der Produktseite die Quicklinks Handbücher und Unterstützung, um die aktuellsten Informationen zu Handbücher.
Scannez le code QR et sélectionnez les liens rapides Manuals and Support sur la page du produit pour obtenir les informations les plus récentes sur le manuel.
Scannerizzare il codice QR e selezionare i Link veloci Manuali e Supporto dalla pagina del prodotto per le informazioni manuali più aggiornate.



EFL13350



EFL13375

NOTICE

All instructions, warranties and other collateral documents are subject to change at the sole discretion of Horizon Hobby, LLC. For up-to-date product literature, visit horizonhobby.com or towerhobbies.com and click on the support or resources tab for this product.

MEANING OF SPECIAL LANGUAGE

The following terms are used throughout the product literature to indicate various levels of potential harm when operating this product:

WARNING: Procedures, which if not properly followed, create the probability of property damage, collateral damage, and serious injury OR create a high probability of superficial injury.

CAUTION: Procedures, which if not properly followed, create the probability of physical property damage AND a possibility of serious injury.

NOTICE: Procedures, which if not properly followed, create a possibility of physical property damage AND little or no possibility of injury.



WARNING: Read the ENTIRE instruction manual to become familiar with the features of the product before operating. Failure to operate the product correctly can result in damage to the product, personal property and cause serious injury.

This is a sophisticated hobby product. It must be operated with caution and common sense and requires some basic mechanical ability. Failure to operate this Product in a safe and responsible manner could result in injury or damage to the product or other property. This product is not intended for use by children without direct adult supervision. Do not use with incompatible components or alter this product in any way outside of the instructions provided by Horizon Hobby, LLC. This manual contains instructions for safety, operation and maintenance. It is essential to read and follow all the instructions and warnings in the manual, prior to assembly, setup or use, in order to operate correctly and avoid damage or serious injury.

AGE RECOMMENDATION: Not for children under 14 years. This is not a toy.

Safety Precautions and Warnings

As the user of this product, you are solely responsible for operating in a manner that does not endanger yourself and others or result in damage to the product or the property of others.

- Always keep a safe distance in all directions around your model to avoid collisions or injury. This model is controlled by a radio signal subject to interference from many sources outside your control. Interference can cause momentary loss of control.
- Always operate your model in open spaces away from full-size vehicles, traffic and people.
- Always carefully follow the directions and warnings for this and any optional support equipment (chargers, rechargeable battery packs, etc.).
- Always keep all chemicals, small parts and anything electrical out of the reach of children.
- Always avoid water exposure to all equipment not specifically designed and protected for this purpose. Moisture causes damage to electronics.
- Never place any portion of the model in your mouth as it could cause serious injury or even death.
- Never operate your model with low transmitter batteries.
- Always keep aircraft in sight and under control.
- Always use fully charged batteries.
- Always keep transmitter powered on while aircraft is powered.
- Always remove batteries before disassembly.
- Always keep moving parts clean.
- Always keep parts dry.
- Always let parts cool after use before touching.
- Always remove batteries after use.
- Always ensure failsafe is properly set before flying.
- Never operate aircraft with damaged wiring.
- Never touch moving parts.



WARNING AGAINST COUNTERFEIT PRODUCTS: If you ever need to replace your Spektrum receiver found in a Horizon Hobby product, always purchase from Horizon Hobby, LLC or a Horizon Hobby authorized dealer to ensure authentic high-quality Spektrum product. Horizon Hobby, LLC disclaims all support and warranty with regards, but not limited to, compatibility and performance of counterfeit products or products claiming compatibility with DSM or Spektrum technology.

Registration

Register your product today to join our mailing list and keep up to date with product updates, offers and E-flite® news.



Table of Contents

SAFE® Select Technology (<i>BNF Basic</i>).....	4
Auto Transmitter Setup	4
Manual Transmitter Setup	5
Model Assembly	6
Receiver Installation: PNP	8
Center of Gravity (CG)	8
Battery Installation and ESC Arming	9
General Binding Tips and Failsafe	10
Transmitter and Receiver Binding / Enable or Disable SAFE Select	10
SAFE® Select Switch Designation.....	11
Control Surface Direction Test.....	12
Control Surface Centering	12
Control Horn and Servo Arm Settings	13
Dual Rates and Control Throws	13
Low Voltage Cutoff (LVC)	13
AS3X+ Response Test.....	14
In Flight Trimming	14
Hand Launch Assist Mode.....	15
Flying Tips and Repairs	15
Post Flight	16
Power Components Service	16
Troubleshooting Guide AS3X+	17
Troubleshooting Guide	17
Replacement Parts.....	18
Recommended Completion Items.....	18
Optional Parts	18
Hardware List	18
Important Federal Aviation Administration (FAA) Information.....	19
AMA National Model Aircraft Safety Code	19
Limited Warranty	20
Warranty and Service Contact Information	20
FCC Information.....	21
IC Information	21
Compliance Information for the European Union.....	21

Specifications

Wingspan	43.3" (1100mm)
Length	36.9" (938mm)
Weight	Without Battery: 31.2 oz (885g) With Recommended 4S 2200mAh Battery: 39.3 oz (1118g)

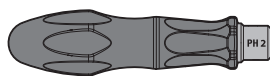
Included Equipment

Receiver	AR631+ DSMX 6-Channel AS3X+ & SAFE Receiver (SPM-1031) (BNF Only)
ESC	Avian™ 45-Amp Smart Lite Brushless ESC, 3S–6S with IC3 Connector (SPMXAE45D)
Motor	Brushless Outrunner Motor, 3542–1000Kv 14-pole (SPMXAM4200)
Servos	(2) Elevator and Rudder: A111 13g Metal-Geared Servo (SPMSA111) (2) Aileron: A112 13g Metal-Geared Servo (SPMSA112)

Required Equipment

Transmitter	Full range 6+Channel 2.4GHz w/ Spektrum DSM2/DSMX® Technology
Battery	3S-4S 14.8V 1800-2200mAh 30C LiPo with EC3™ or IC3® Connector
Battery Charger	4-Cell Li-Po Battery Balancing Charger
Receiver	5+ Channel (AR631+ Recommended) (PNP Only)

Required Tools



- Phillips Screwdriver (PH#2)

SAFE® Select Technology (BNF Basic)

The BNF Basic version of this airplane includes SAFE Select technology which can offer an extra level of protection in flight. Use the following instructions to make the SAFE Select system active and assign it to a switch. When enabled, SAFE Select prevents the airplane from banking or pitching past predetermined limits, and automatic self-leveling keeps the airplane flying in a straight and level attitude when the aileron, elevator and rudder sticks are at neutral.

SAFE Select is enabled or disabled during the bind process. When the airplane is bound with SAFE Select enabled, a switch can be assigned to toggle between SAFE Select mode and AS3X+ mode. AS3X+ technology remains active with no bank angle limits or self leveling any time SAFE Select is disabled or OFF.

SAFE Select can be configured three ways;

- SAFE Select Off: Always in AS3X+ mode
- SAFE Select On with no switch assigned: Always in SAFE Select mode
- SAFE Select On with a switch assigned: Switch toggles between SAFE Select mode and AS3X+ mode

Auto Transmitter Setup

The AR631+ receiver, included with your ElectroStreak, is programmed with an all-new version of AS3X+/SAFE. This includes a Smart Transmitter File, with the setup developed specifically for the ElectroStreak. This allows you to quickly import the settings for your transmitter, directly from your receiver, during the binding process.

Supported Transmitters and firmware requirements:

- All NX Transmitters (with firmware version 4.0.11+)
- iX14 (with app version 2.0.9+)
- iX20 (with app version 2.0.9+)

Important: iX12 and DX Transmitters do not support Smart Transmitter File transfers at this time.

To load the Smart Transmitter Files:

1. Power ON the transmitter.
2. Create a new blank model file on your transmitter.
3. Power ON the receiver.
4. Press the bind button on the receiver.
5. Put the transmitter into bind mode. The model will bind normally.
6. Once binding is complete the download screen will appear as shown at the right.
7. Select **LOAD** to continue.

The NOTICE screen, as shown at the right, is a warning that downloading will overwrite all the information of the current model. If this a new model it will simply populate the transmitter parameters of the ElectroStreak into the selected model and rename it ElectroStreak.

NOTICE: Confirming will override any previously saved transmitter setups.

8. Press CONFIRM to continue.
9. Once the download is complete the file will be installed on your transmitter and the telemetry information will be loaded automatically.

Once loading is complete the radio will return to the home screen, and you will see "ElectroStreak BNF-B EFL13350".

Transmitter setup is now complete, and you are ready to fly your aircraft.

Flight Timer

There is no flight timer loaded in the transmitter setup file. The voltage monitor provides alerts when the battery voltage has dropped to just above the LVC, indicating it is time to land. This system only functions when using Smart batteries. If you are not using a Smart battery, set your flight timer to monitor your flight time.

Smart Transmitter File

The receiver contains a pre-loaded Smart Transmitter file.

Rx Version: EFL13350

"Firmware version"

Do you want to load the file from the receiver

SKIP

LOAD

NOTICE

This WILL overwrite ALL current model settings.

If stock BNF model hardware has changed, the receiver's file may not work properly- Do not use without checking everything.

Do you want to load the file from the receiver

BACK

CONFIRM

Manual Transmitter Setup

IMPORTANT: After you set up your model, always rebind the transmitter and receiver to set the desired failsafe positions.

For the first flight, set the flight timer to 4 minutes when using a 4S 2200mAh battery. Adjust the time after the initial flight.

Telemetry Settings	
Rx V : Min Rx V	4.2V
Smart ESC : Low Voltage Alarm	3.4V
Smart Battery : Startup Volt Minimum	4.0V
Motor Pole Count	14

NX Series Transmitter Setup

1. Power ON your transmitter, click on scroll wheel, roll to **System Setup** and click the scroll wheel. Select **YES**.
2. Go to **Model Select** and choose **Add New Model** near the bottom of the list. Select **Airplane Model Type** by choosing airplane image, select **Create**.
3. Set **Model Name**: Input a name for your model file.
4. Go to **Aircraft Type** and scroll to the wing selection, choose **Wing: 1 Ail Tail: Normal**
5. Select **Main Screen**, Click the scroll wheel to enter the **Function List**.
6. Go to **D/R (Dual Rate) and Expo** menu to set **D/R** and **Expo**.
7. Set **Rates and Expo: Aileron**
Set **Switch: Switch F**
Set **High Rates: 100%, Expo 10%** — **Low Rates: 70%, Expo 5%**
8. Set **Rates and Expo: Elevator**
Set **Switch: Switch C**
High Rates: 100%, Expo 10% — **Low Rates 70%, Expo 5%**
9. Set **D/R (Dual Rate) and Expo: Rudder**
Set **Switch: Switch G**
High Rates: 100%, Expo 10% — **Low Rates 70%, Expo 5%**
10. Set **Throttle Cut; Switch: Switch H, Position: -100%**

iX Series Transmitter Setup

1. Power ON your transmitter and begin once the Spektrum AirWare app is open. Select the orange pen icon in the screen's upper left corner, the system asks for permission to **Turn Off RF**, select **PROCEED**.
2. Select the three dots in the upper right corner of the screen, select **Add a New Model**.
3. Select **Model Option**, choose **DEFAULT**, select **Airplane**. The system asks if you want to create a new acro model, select **Create**.
4. Select the last model on the list, named **Acro**. Tap on the word **Acro** and rename the file to a name of your choice.
5. Press and hold the back arrow icon in the upper left corner of the screen to return to the main screen.
6. Go to the **Model Setup** menu. Select **Aircraft Type**. The system asks for permission to **Turn Off RF**, select **PROCEED**. Touch the screen to select wing. Select **1 Ail**.
7. Press and hold the back arrow icon in the upper left corner of the screen to return to the main screen.
8. Go to the **Model Adjust** menu.
9. Set **Dual Rates and Expo**: Select **Aileron**
Set **Switch: Switch F**
Set **High Rates: 100%, Expo 10%** — **Low Rates: 70%, Expo 5%**

Dual Rates

Attempt your first flights in low rate. For landings, use high rate elevator.

NOTICE: To ensure AS3X+ technology functions properly, do not lower rate values below 50%. If less control deflection is desired, manually adjust the position of the pushrods on the servo arm.

NOTICE: If oscillation occurs at high speed, refer to the Troubleshooting Guide for more information.

Exponential

After first flights, you may adjust exponential in your transmitter.

DX Series Transmitter Setup

1. Power ON your transmitter, click on scroll wheel, roll to **System Setup** and click the scroll wheel. Select **YES**.
2. Go to **Model Select** and choose **Add New Model** at the bottom of the list. The system asks if you want to create a new model, select **Create**.
3. Set **Model Type**: Select **Airplane Model Type** by choosing the airplane. The system asks you to confirm model type, data will be reset. Select **YES**.
4. Set **Model Name**: Input a name for your model file.
5. Go to **Aircraft Type** and scroll to the wing selection, choose **Wing: 1 Ail Tail: Normal**
6. Select **Main Screen**, Click the scroll wheel to enter the **Function List**.
7. Set **D/R (Dual Rate) and Expo: Aileron**
Set **Switch: Switch F**
Set **High Rates: 100%, Expo 10%** — **Low Rates: 70%, Expo 5%**
8. Set **D/R (Dual Rate) and Expo: Elevator**
Set **Switch: Switch C**
High Rates: 100%, Expo 10% — **Low Rates 70%, Expo 5%**
9. Set **D/R (Dual Rate) and Expo: Rudder**
Set **Switch: Switch G**
High Rates: 100%, Expo 10% — **Low Rates 70%, Expo 5%**
10. Set **Throttle Cut; Switch: Switch H, Position: -100%**

iX Series Transmitter Setup

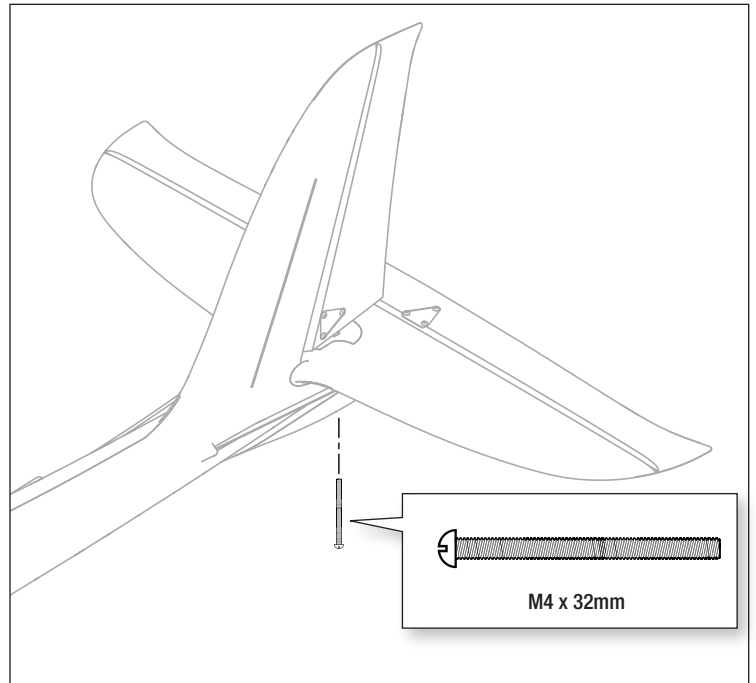
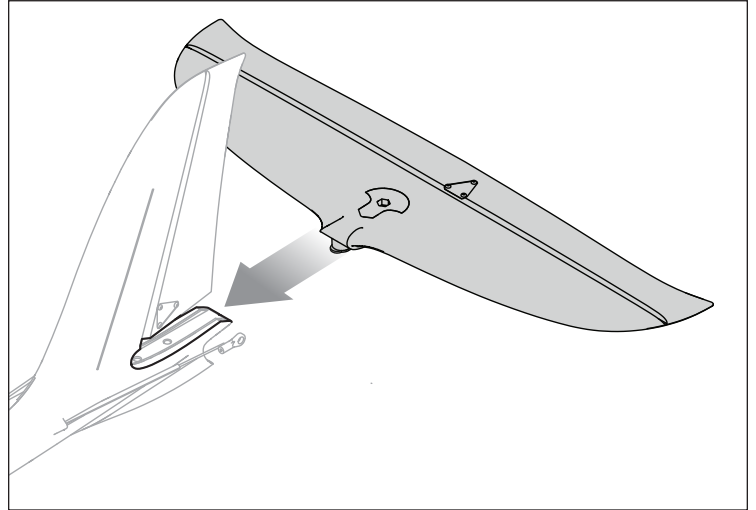
10. Set **Dual Rates and Expo**: Select **Elevator**
Set **Switch: Switch C**
High Rates: 100%, Expo 10% — **Low Rates 70%, Expo 5%**
11. Set **D/R (Dual Rate) and Expo: Rudder**
Set **Switch: Switch G**
High Rates: 100%, Expo 10% — **Low Rates 70%, Expo 5%**
12. Set **Throttle Cut; Switch: Switch H, Position: -100%**

Model Assembly

Horizontal Stabilizer Installation

1. Slide the horizontal stabilizer into the fuselage.
2. Insert the M4 x 32mm machine screw through the bottom of the fuselage into the horizontal stabilizer.
3. Use a Phillips screwdriver to tighten the screw.
4. Connect the elevator pushrod ball link using ball link pliers.

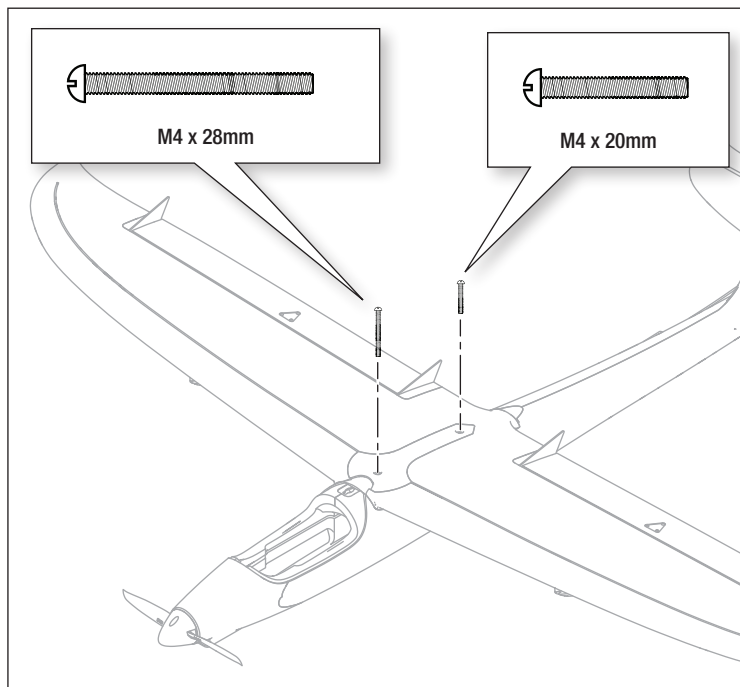
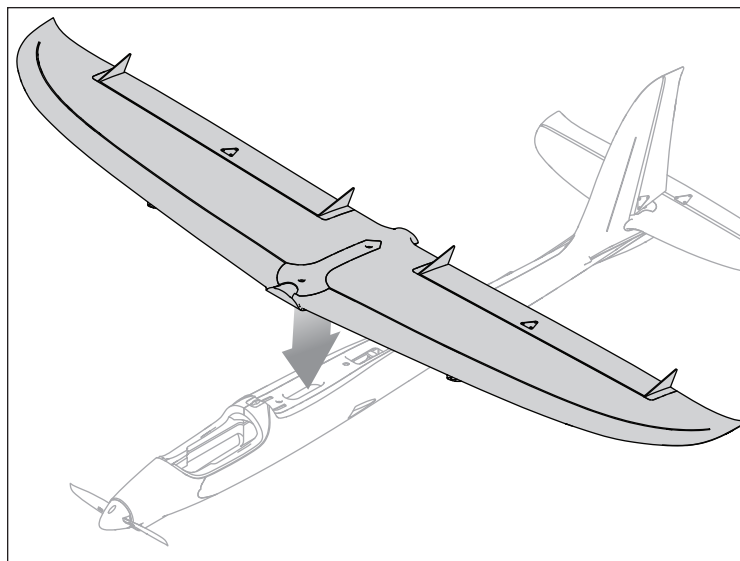
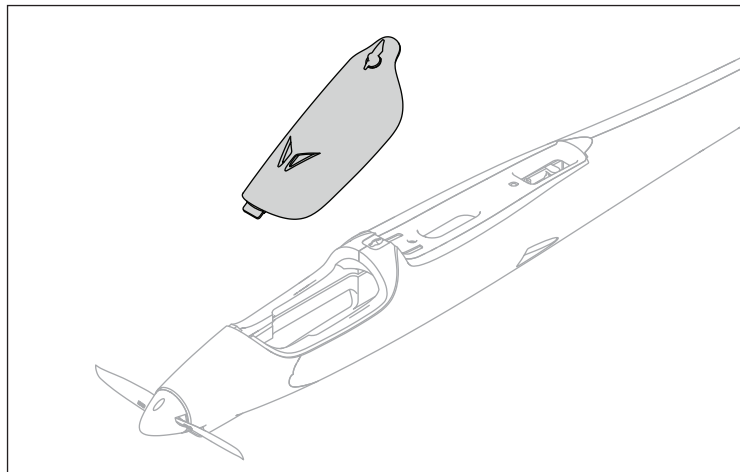
NOTICE: Do not overtighten the screw.



Wing Installation

1. Remove the canopy hatch by turning the latch 90 degrees, and lifting the rear of the hatch.
2. Connect the servo leads from the wing to the provided Y-harness.
3. Connect the Y harness to channel 2 of the receiver.
4. Place the wing on the wing saddle.
5. Ensure that the excess servo wires are tucked in the receiver pocket and are not pinched.
6. Use a Phillips screwdriver to attach the wing to the fuselage with two machine screws M4 x 28mm (front), and M4 x 20mm (rear).

NOTICE: Do not overtighten the screws.



Receiver Installation: PNP

The recommended receiver for this aircraft is the Spektrum AR631+. If you choose to install a different receiver, ensure that it is at least a 6-channel full range receiver. Refer to the manual of your chosen receiver for correct installation and operation instructions.

AR631+ Installation

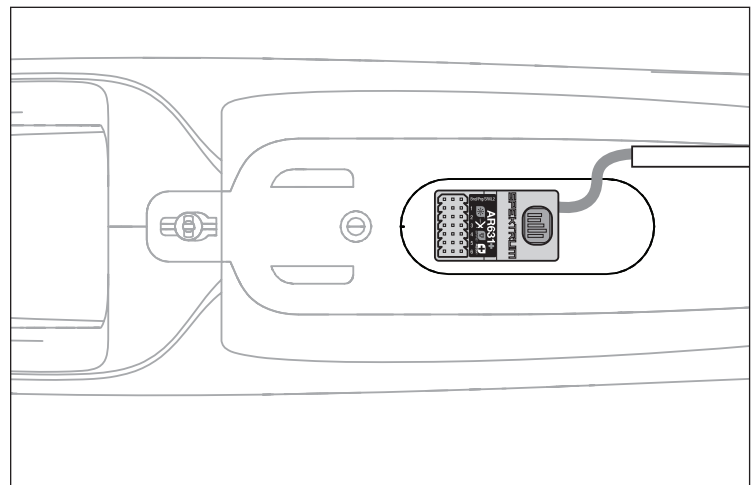
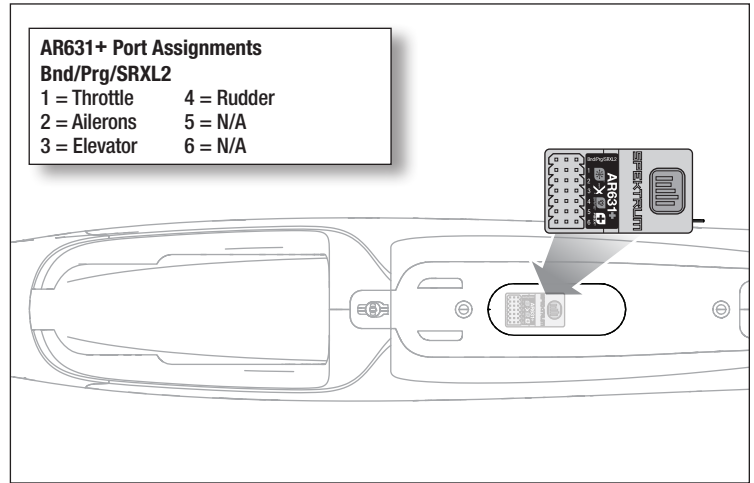
1. Turn the canopy latch and lift the back of the canopy to remove the canopy from the fuselage.
2. Attach the control surfaces to their respective ports on the receiver using the table at the right.
3. Using double-sided adhesive tape, mount the receiver in the compartment under the wing. The receiver should be mounted parallel to the length of the fuselage, with the label facing up and the servo ports towards the front of the aircraft, as shown. The orientation of the receiver is critical for all AS3X®+ and SAFE® technology setups.
4. Route the antenna into the antenna tube.

CAUTION: Incorrect installation of the receiver could cause a crash.

AR631+ Port Assignments

Bnd/Prg/SRXL2

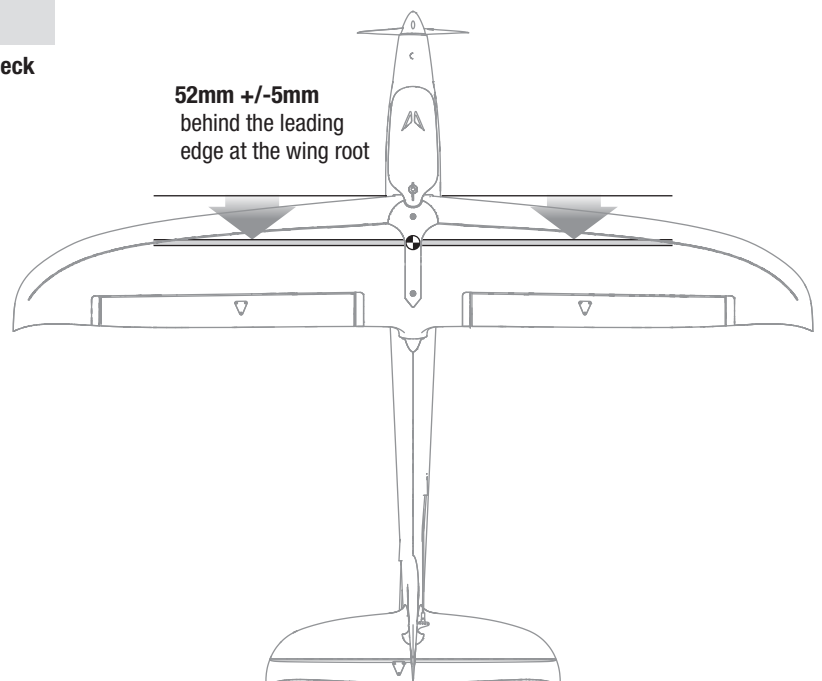
1 = Throttle	4 = Rudder
2 = Ailerons	5 = N/A
3 = Elevator	6 = N/A



Center of Gravity (CG)

WARNING: Install the battery but do not connect it to the ESC while checking the CG. Personal injury may result.

The CG range is 52mm +/-5mm behind the leading edge at the wing root. **Check the CG location with model upright.**



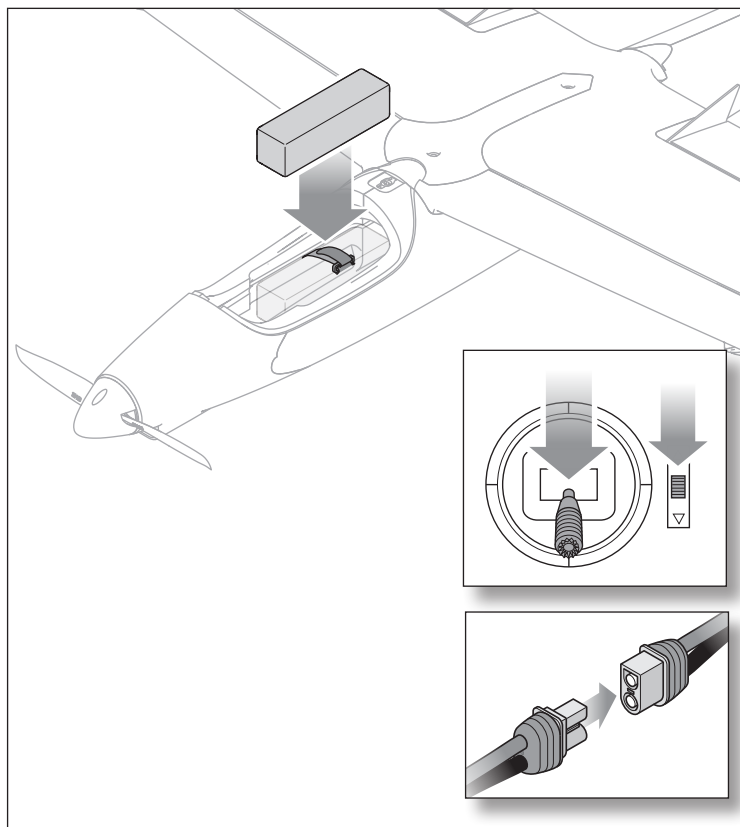
Battery Installation and ESC Arming

We recommend a 4S 2200mAh 30C LiPo battery with IC3 connector. If using a different battery, the battery should be of similar capacity, dimensions and weight. Always be sure the model balances at the recommended CG with the battery chosen.

1. Apply the loop side (soft side) of the hook and loop tape to the bottom of the battery.
2. Turn the canopy hatch latch and lift the back of the canopy to remove it.
3. Power on the transmitter and wait 5 seconds.
4. Lower the throttle to the lowest setting.
5. Install the fully charged battery in the battery compartment as shown. *See the Adjusting the Center of Gravity instructions for more information.*
6. Secure the flight battery with the hook and loop strap.
7. Connect the ESC to the battery power lead IC3 connector, noting the correct polarity. The ESC will emit opening chime.
 - The first set of tones, 1 beep for each cell in the connected LiPo battery pack.
 - Rising beep for ending chime.

NOTICE: Connecting the battery to the ESC with incorrect polarity will damage the ESC and void the warranty.

8. The ESC is now ready for use.
9. Reinstall the canopy hatch on the fuselage. Turn the latch to secure into place.



General Binding Tips and Failsafe

- The included receiver has been specifically programmed for operation of this aircraft. Refer to the receiver manual for correct setup if the receiver is replaced.
- Keep away from large metal objects while binding.
- Do not point the transmitter's antenna directly at the receiver while binding.
- The red LED on the receiver will flash rapidly when the receiver enters bind mode.
- Once bound, the receiver will retain its bind settings for that transmitter until you re-bind.
- If the receiver loses transmitter communication, the failsafe will activate. Failsafe moves the throttle channel to low throttle. Pitch and roll channels move to actively stabilize the aircraft in a descending turn.
- If problems occur, refer to the troubleshooting guide or if needed, contact the appropriate Horizon Product Support office.

Transmitter and Receiver Binding / Enable or Disable SAFE Select

The BNF Basic version of this airplane includes SAFE Select technology, enabling you to choose the level of flight protection. SAFE mode includes angle limits and automatic self leveling. AS3X+ mode provides the pilot with a direct response to the control sticks. SAFE Select is enabled or disabled during the bind process. With SAFE Select disabled the aircraft is always in AS3X+ mode. With SAFE Select enabled the aircraft will be in SAFE Select mode all the time, or you can assign a switch to toggle between SAFE Select and AS3X+ modes.

Thanks to SAFE Select technology, this aircraft can be configured for full-time SAFE mode, full-time AS3X+ mode, or mode selection can be assigned to a switch.

IMPORTANT: Before binding, read the transmitter setup section in this manual and complete the transmitter setup table to ensure your transmitter is properly programmed for this aircraft.

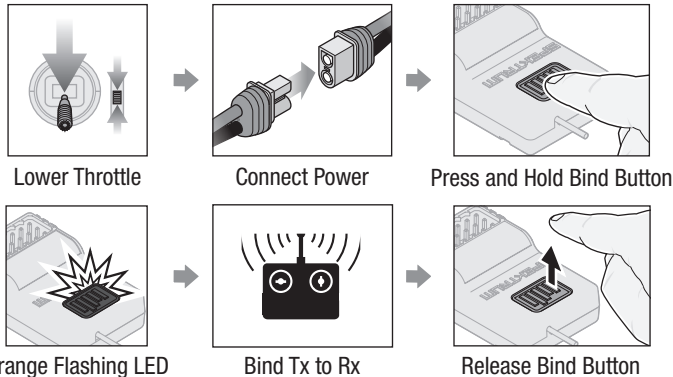
IMPORTANT: Move the transmitter flight controls (rudder, elevators, and ailerons) and the throttle trim to neutral. Move the throttle to low before and during binding. This process defines the failsafe settings.

You can use either the **bind button** on the receiver case **OR** a conventional **bind plug** to complete the binding and SAFE Select process.

SAFE Select can also be enabled via Forward Programming.

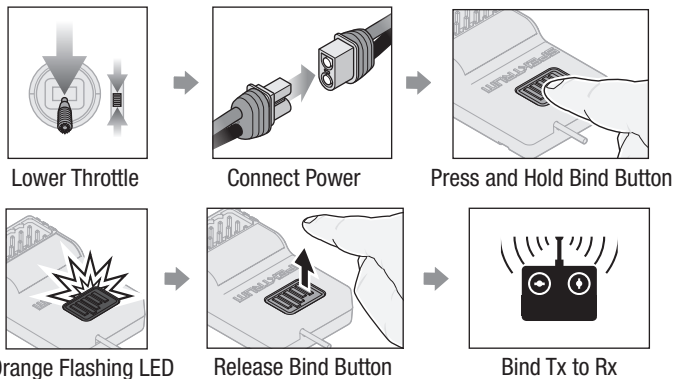
Using The Bind Button...

To Enable SAFE Select



SAFE SELECT ENABLED: The control surfaces cycle back and forth **twice** with a slight pause at neutral position every time the receiver is powered on.

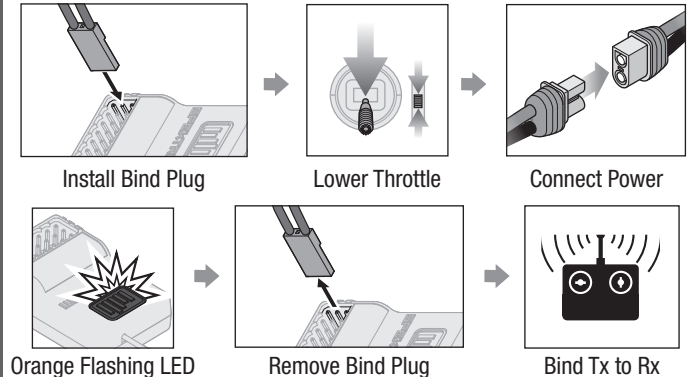
To Disable SAFE Select



SAFE SELECT DISABLED: The control surfaces cycle back and forth **once** every time the receiver is powered on.

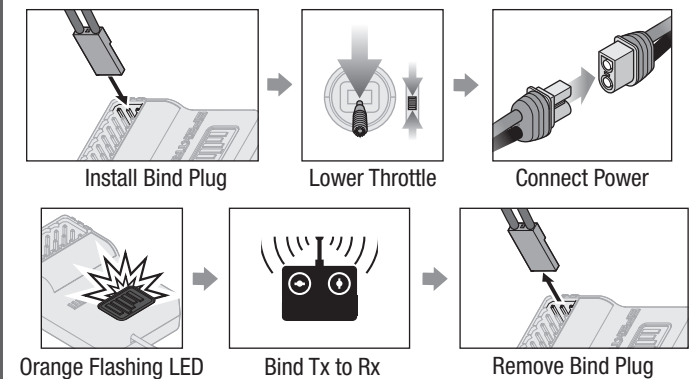
Using The Bind Plug...

To Enable SAFE Select



SAFE SELECT ENABLED: The control surfaces cycle back and forth **twice** with a slight pause at neutral position every time the receiver is powered on.

To Disable SAFE Select



SAFE SELECT DISABLED: The control surfaces cycle back and forth **once** every time the receiver is powered on.

Differences Between SAFE and AS3X+ Modes

This section is generally accurate but does not take into account flight speed, battery charge status, and other limiting factors.

	SAFE Select	AS3X+	
Control Input	Control stick is neutralized	Aircraft will self level	Aircraft will continue to fly at its present attitude
	Holding a small amount of control	Aircraft will bank or pitch to a moderate angle and maintain the attitude	Aircraft will continue to pitch or roll slowly
	Holding full control	Aircraft will bank or pitch to the predetermined limits and maintain the attitude	Aircraft will continue to roll or pitch rapidly

SAFE® Select Switch Designation

SAFE Select is best enabled via Forward Programming SAFE® Select technology can be easily assigned to any open switch (2 or 3 position) on your transmitter. With this feature, you have the flexibility to enable or disable the technology while in flight.

IMPORTANT: Before assigning your desired switch, ensure that the travel for that channel is set at 100% in both directions and the aileron, elevator, rudder and throttle are all on high rate with the travel at 100%. Turn throttle hold OFF if it is programmed in the transmitter.



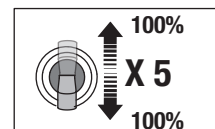
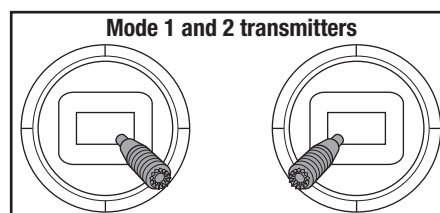
CAUTION: Keep all body parts well clear of the propeller, and keep the aircraft securely restrained in case of accidental throttle activation.

Assigning a switch

1. Bind the aircraft correctly to activate SAFE Select. This will allow the system to be assigned to a switch.
2. Hold both transmitter sticks to the inside bottom corners and toggle the desired switch 5 times (1 toggle = full up and down) to assign that switch. The control surfaces of the aircraft will move, indicating the switch has been selected.

Repeat the process to assign a different switch or to deactivate the current switch if desired.

TIP: SAFE Select is assignable on any unused Channels 5–9.



Control Surface Direction Test

Switch on the transmitter and connect the battery. Use the transmitter to operate the aileron, elevator, rudder controls. View the aircraft from the rear when checking the control directions.

Elevator

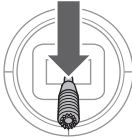
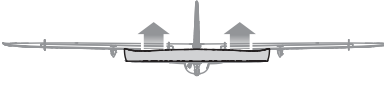

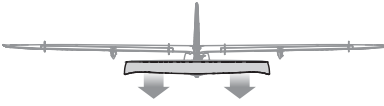
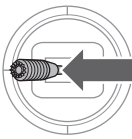
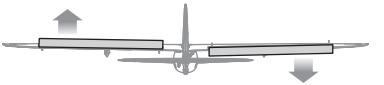
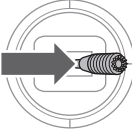
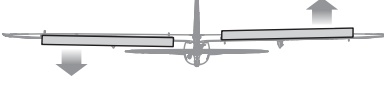
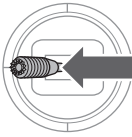
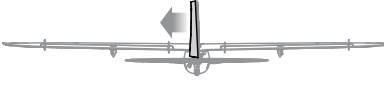
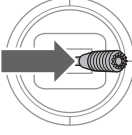
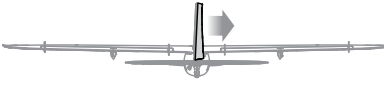
1. Pull the elevator stick back. The elevators should move up, which will cause the aircraft to pitch up.
2. Push the elevator stick forward. The elevators should move down, which will cause the aircraft to pitch down.

Ailerons

1. Move the aileron stick to the left. The left aileron should move up and the right aileron down, which will cause the aircraft to bank left.
2. Move the aileron stick to the right. The right aileron should move up and the left aileron down, which will cause the aircraft to bank right.

Rudder

1. Move the rudder stick to the left. The rudder should move to the left, which will cause the aircraft to yaw left.
2. Move the rudder stick to the right. The rudder should move to the right, which will cause the aircraft to yaw right.

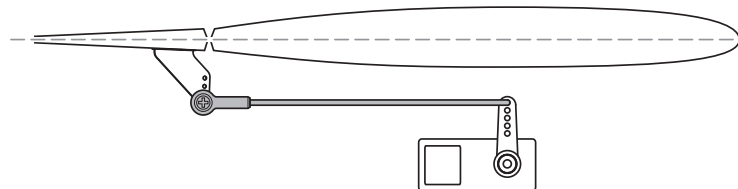
	Transmitter command	Control Surface Response (viewed from the rear)
Elevator		
		
Aileron		
		
Rudder		
		

Control Surface Centering

After assembly and transmitter setup, confirm that the control surfaces are centered. If the control surfaces are not centered, mechanically center the control surfaces by adjusting the linkages.

If adjustment is required, turn the ball link on the linkage to change the length of the linkage between the servo arm and the control horn. Ball link pliers are recommended for removal and replacement of ball links.

After binding a transmitter to the aircraft receiver, set the trims and sub-trims to 0, then adjust the ball links to center the control surfaces.

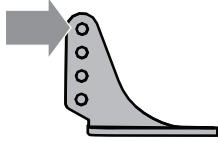
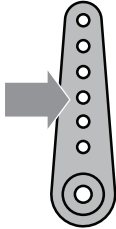
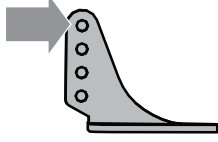
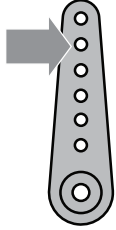
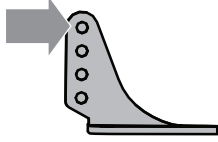
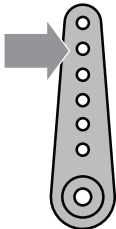


Control Horn and Servo Arm Settings

The table to the right shows the factory settings for the control horns and servo arms. Fly the aircraft at factory settings before making changes.

NOTICE: If control throws are changed from the factory settings, the AR631+ gain values may need to be adjusted. Refer to the Spektrum AR631+ manual for adjustment of gain values.

After flying, you may choose to adjust the linkage positions for the desired control response. See the table to the right.

Factory Setting	Control Horns	Servo Arms
Aileron		
Elevator		
Rudder		

Dual Rates and Control Throws

Program your transmitter to set the rates and control throws based on your experience level. These values have been tested and are a good starting point to achieve a successful first flight.

After flying, you may choose to adjust the values for the desired control response.

	Low Rate	High Rate
Aileron	▲ = 9mm ▼ = 6mm	▲ = 11mm ▼ = 8mm
Elevator	▲ = 12mm ▼ = 12mm	▲ = 17mm ▼ = 17mm
Rudder	▶ = 25mm ◀ = 25mm	▶ = 32mm ◀ = 32mm

Low Voltage Cutoff (LVC)

When a Li-Po battery is discharged below 3V per cell, it will not hold a charge. The aircraft's ESC protects the flight battery from over-discharge using Low Voltage Cutoff (LVC). Once the battery discharges to 3V per cell, the LVC will reduce the power to the motor in order to leave adequate power to the receiver and servos to land the airplane.

When the motor power decreases, land the aircraft immediately and replace or recharge the flight battery.

Always disconnect and remove the Li-Po battery from the aircraft after each flight. Charge your Li-Po battery to about half capacity before storage. Make sure the battery charge does not fall below 3V per cell. Failure to unplug a connected battery will result in trickle discharge.

For your first flights, set your transmitter timer or a stopwatch to 4 minutes. Adjust your timer for longer or shorter flights once you have flown the model.

NOTICE: Repeated flying to LVC will damage the battery.

AS3X+ Response Test

This test ensures that the AS3X+® control system is functioning properly. Assemble the aircraft and bind your transmitter to the receiver before performing this test.

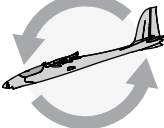
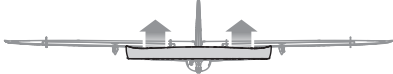
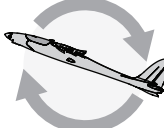


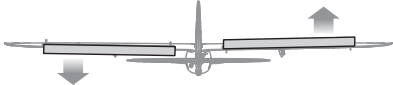

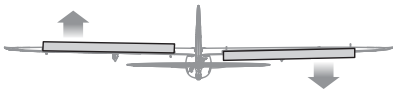

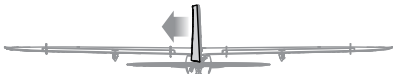

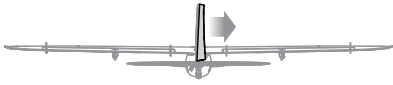
1. Raise the throttle just above 25%, then lower the throttle to activate AS3X+.

CAUTION: Keep all body parts, hair and loose clothing away from a moving propeller, as these items could become entangled.

2. Move the entire aircraft as shown and ensure the control surfaces move in the direction indicated in the graphic. If the control surfaces do not respond as shown, do not fly the aircraft. Refer to the receiver manual for more information.

Once the AS3X+ system is active, control surfaces may move rapidly. This is normal. AS3X+ remains active until the battery is disconnected.

Due to different effects of torque, lift, and drag some aircraft require trim changes with different speeds and throttle settings. Mixes maybe preloaded into the receiver to compensate for these changes. The mixes become active the first time the throttle is raised above 25%. The control surfaces may be offset slightly at different throttle settings after the first time throttle is raised. Trimming the plane in flight should be done at 80-100% throttle for best results.

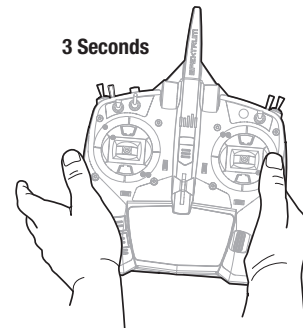
	Aircraft movement	AS3X+ Reaction
Elevator		
		
Aileron		
		
Rudder		
		

In Flight Trimming

During your first flight, trim the aircraft for level flight. Make small trim adjustments with your transmitter's trim switches to straighten the aircraft's flight path.

After adjusting the trim, do not touch the control sticks for 3 seconds. This allows the receiver to learn the correct settings to optimize AS3X+ performance.

Failure to do so could affect flight performance.

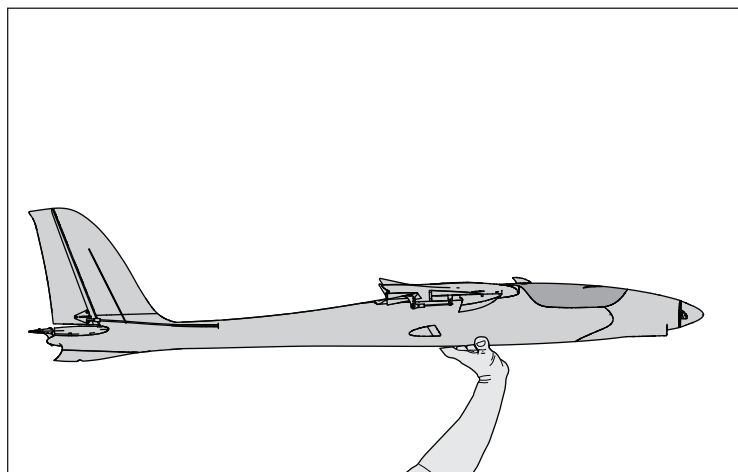


Hand Launch Assist Mode

The BNF Basic version of the ElectroStreak is equipped with Hand Launch Assist Mode which takes the stress out of hand launching your aircraft. The system works in the background to level the wings and set the model in a positive climb attitude, even after a less than perfect hand launch.

To activate Hand Launch Assist Mode:

1. Make sure SAFE Select is enabled.
2. Place the model in SAFE mode.
3. Advance the throttle above 70%.
4. Hand launch the model as you normally would. The acceleration of throwing the model automatically activates the assist mode, leveling the wings and setting the model in a positive climb attitude.
5. After a few seconds of flight the system automatically disengages and reverts to normal SAFE mode.
6. The system automatically resets after landing when the throttle is reduced below 5%, and the model is stationary for more than 5 seconds.



Flying Tips and Repairs

Consult local laws and ordinances before choosing a flying location.

Range Check your Radio System

Before you fly, range check the radio system. Refer to your specific transmitter instruction manual for range test information.

Oscillation

Once the AS3X+ system is active (after advancing the throttle for the first time), the control surfaces will react to aircraft movement. In some flight conditions oscillation may occur (the aircraft rocks back and forth on one axis due to overcontrol). If oscillation occurs, refer to the Troubleshooting Guide for more information.

Takeoff

Select low rates. Hold the aircraft fuselage under the wing, and gradually increase the throttle to full. Launch the aircraft into the wind with the wings level. Allow the aircraft to accelerate to flying speed, then pull back gently on the elevator and climb to a comfortable altitude.

Flying

Always choose a wide-open space for flying. Due to the higher speeds of this aircraft, it does require more room to fly than most foam models. It is ideal for you to fly at a designated rc flying field. Always avoid flying near houses, trees, wires and buildings. You should also be careful to avoid flying in areas where there are many people, such as busy parks, schoolyards, or soccer fields.

Landing

For your first few flights with the recommended battery pack (SPMX224S30), set your transmitter timer or a stopwatch to 4 minutes (4:00), then land. Adjust your timer for longer or shorter flights once you have flown the model. **If at any time the motor pulses, land the aircraft immediately and recharge the flight battery.** See the Low Voltage Cutoff (LVC) section for more details on maximizing battery health and run time.

Turn the aircraft into the wind and reduce the throttle. Use the throttle during the landing approach to control the rate of descent. Keep the wings level and the aircraft pointed into the wind. As you approach approximately 1 meter altitude, decrease the throttle and begin your flare by easing back on the elevator. Continue back pressure on the elevator to bring the aircraft down gently on the landing surface.

NOTICE: If a crash is imminent, reduce the throttle and trim fully. Failure to do so could result in extra damage to the airframe, as well as damage to the ESC and motor.

NOTICE: After any impact, always ensure the receiver is secure in the fuselage. If you replace the receiver, install the new receiver in the same orientation as the original receiver or damage may result.

NOTICE: Crash damage is not covered under warranty.

NOTICE: When you are finished flying, never leave the aircraft in direct sunlight or in a hot, enclosed area such as a car. Doing so can damage the aircraft.

Post Flight

Disconnect the flight battery from the ESC (required for safety and battery life).
Power OFF the transmitter.
Remove the flight battery from the aircraft.
Recharge the flight battery to storage voltage level.

Repair or replace all damaged parts.

Store the flight battery apart from the aircraft and monitor the battery charge.

Make note of the flight conditions and flight plan results, planning for future flights.

Power Components Service

CAUTION: Always disconnect the flight battery before performing service on any of the power system components.

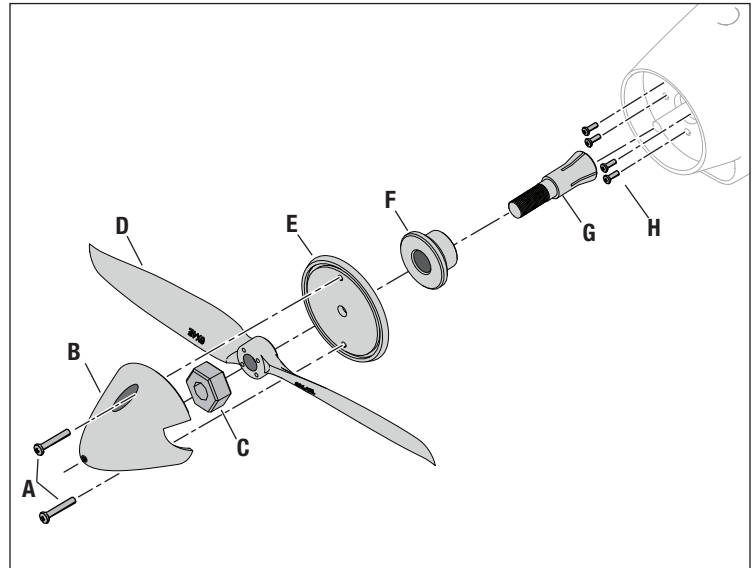
Disassembly

1. Remove the canopy to access all of the power system components.
2. Remove the two M2.5 x 6mm machine screws (Phillips head) **(A)** and the spinner **(B)**.
3. Use a wrench to remove the spinner nut **(C)**, and then remove the propeller **(D)**, spinner backplate **(E)**, hub **(F)** and Collet **(G)**, from the motor shaft.
4. Remove the four M3 x 6mm machine screws **(H)** and the motor from the fuselage.
5. Carefully slide the ESC from the top of the fuselage.
6. Disconnect the throttle lead from the receiver and lift the ESC from the fuselage, taking note of the routing of the power and throttle leads through the fuselage.

Assembly

Assemble in reverse order.

- Correctly align and connect the motor wire colors with the ESC wires.
- Ensure no wiring is pinched by any of the power components.
- Ensure the propeller is installed with the size numbers (8 x 8E) is facing forwards.
- Ensure the spinner is fully secured for safe operation.



IMPORTANT: Allow the aircraft components to cool between flights.

Troubleshooting Guide AS3X+

Problem	Possible Cause	Solution
Oscillation	Damaged propeller or spinner	Replace propeller or spinner
	Imbalanced propeller	Balance the propeller
	Motor vibration	Replace parts or correctly align all parts and tighten fasteners as needed
	Loose receiver	Align and secure receiver in fuselage
	Loose aircraft controls	Tighten or otherwise secure parts (servo, arm, linkage, horn and control surface)
	Worn parts	Replace worn parts (especially propeller, spinner or servo)
	Irregular servo movement	Replace servo
Inconsistent flight performance	Trim is not at neutral	If you adjust trim more than 8 clicks, adjust the clevis to remove trim
	Sub-Trim is not at neutral	No Sub-Trim is allowed. Adjust the servo linkage
	Aircraft was not kept immobile for 5 seconds after battery connection	With the throttle stick in lowest position. Disconnect battery, then reconnect battery and keep the aircraft still for 5 seconds
Incorrect response to the AS3X+ Control Direction Test	Incorrect direction settings in the receiver, which can cause a crash	DO NOT fly. Correct the direction settings (refer to the receiver manual), then fly

Troubleshooting Guide

Problem	Possible Cause	Solution
Aircraft will not respond to throttle but responds to other controls	Throttle not at idle and/or throttle trim too high	Reset controls with throttle stick and throttle trim at lowest setting
	Throttle servo travel is lower than 100%	Make sure throttle servo travel is 100% or greater
	Throttle channel is reversed	Reverse throttle channel on transmitter
	Motor disconnected from ESC	Make sure motor is connected to the ESC
Extra propeller noise or extra vibration	Damaged propeller and spinner, collet or motor	Replace damaged parts
	Propeller is out of balance	Balance or replace propeller
	Propeller screw is loose	Tighten the propeller screw
Reduced flight time or aircraft underpowered	Flight battery charge is low	Completely recharge flight battery
	Flight battery damaged	Replace flight battery and follow flight battery instructions
	Flight conditions may be too cold	Make sure battery is warm before use
	Battery capacity too low for flight conditions	Replace battery or use a larger capacity battery
Aircraft will not Bind (during binding) to transmitter	Transmitter too near aircraft during binding process	Move powered transmitter a few feet from aircraft, disconnect and reconnect flight battery to aircraft
	Aircraft or transmitter is too close to large metal object, wireless source or another transmitter	Move aircraft and transmitter to another location and attempt binding again
	The bind plug is not installed correctly in the bind port	Install bind plug in bind port and bind the aircraft to the transmitter
	Flight battery/transmitter battery charge is too low	Replace/recharge batteries
	Bind switch or button not held long enough during bind process	Power off transmitter and repeat bind process. Hold transmitter bind button or switch until receiver is bound
Aircraft will not connect (after binding) to transmitter	Transmitter too near aircraft during connecting process	Move powered transmitter a few feet from aircraft, disconnect and reconnect flight battery to aircraft
	Aircraft or transmitter is too close to large metal object, wireless source or another transmitter	Move aircraft and transmitter to another location and attempt connecting again
	Bind plug left installed in bind port	Rebind transmitter to the aircraft and remove the bind plug before cycling power
	Aircraft bound to different model memory (ModelMatch™ Transmitters only)	Select correct model memory on transmitter
	Flight battery/Transmitter battery charge is too low	Replace/recharge batteries
	Transmitter may have been bound to a different aircraft using different DSM protocol	Bind aircraft to transmitter
Control surface does not move	Control surface, control horn, linkage or servo damage	Replace or repair damaged parts and adjust controls
	Wire damaged or connections loose	Do a check of wires and connections, connect or replace as needed
	Transmitter is not bound correctly or the incorrect airplanes was selected	Re-bind or select correct airplanes in transmitter
	Flight battery charge is low	Fully recharge flight battery
	BEC (Battery Elimination Circuit) of the ESC is damaged	Replace ESC
Controls reversed	Transmitter settings are reversed	Perform the Control Direction Test and adjust the controls on transmitter appropriately
Motor power pulses then motor loses power	ESC uses default soft Low Voltage Cutoff (LVC)	Recharge flight battery or replace battery that is no longer performing
	Weather conditions might be too cold	Postpone flight until weather is warmer
	Battery is old, worn out, or damaged	Replace battery
	Battery C rating might be too low	Use recommended battery

Replacement Parts

Part Number	Description
EFL1335001	Fuselage : ElectroStreak 1.1m
EFL1335002	Wing : ElectroStreak 1.1m
EFL1335003	Stabilizer : ElectroStreak 1.1m
EFL1335004	Hatch : ElectroStreak 1.1m
EFL1335005	Spinner: ElectroStreak 1.1m
EFL1335006	Hardware Set : ElectroStreak 1.1m
EFL1335007	Pushrod Set: ElectroStreak 1.1m
EFL1335008	Servo Arm Set : ElectroStreak 1.1m

Part Number	Description
EFL1335009	Propeller Adapter : ElectroStreak 1.1m
APC08080E	Propeller 8 x 8E
SPMSA111	Servo A111 13g MG; Rudder and Elevator : ElectroStreak 1.1m
SPMSA112	Servo A112 13g MG; Aileron : ElectroStreak 1.1m
SPMXAE45D	Avian 45A Smart Lite Brushless ESC
SPMXAM4200	3542-1000Kv Brushless Outrunner Motor 14 Pole
SPM-1031	AR631+ Receiver

Recommended Completion Items

Part Number	Description
SPMR7110	NX7e+ 7CH DSMX Transmitter Only
SPMX224S30	14.8V 2200mAh 4S 30C Smart G2 LiPo Battery: IC3

Part Number	Description
SPMXC2020	Smart S1200 G2 AC Charger, 1x200W

Optional Parts

Part Number	Description
SPMR8210	NX8+ 8CH DSMX Transmitter Only
SPMX223S30	11.1V 2200mAh 3S 30C Smart LiPo Battery: IC3
SPMX22003S30	11.1V 2200mAh 3S 30C Smart LiPo Battery: IC3
SPMX22004S30	14.8V 2200mAh 4S 30C Smart LiPo Battery: IC3

Part Number	Description
SPMXBC100	XBC100 Smart LiPo Battery Checker & Servo Driver
SPMXC2040	S1400 G2 AC 1x400W Smart Charger
SPMXC2010	S2200 G2 AC 2x200W Smart Charger
BLH100	Deluxe Ball Link Pliers

Hardware List

Location	Description	Quantity
Wing; Forward Screw	M4 x 28mm Phillips Head Machine Screw	1
Wing; Rear Screw	M4 x 20mm Phillips Head Machine Screw	1
Motor Screws	M3 x 6mm Phillips Head Machine Screw	4
Horizontal Stabilizer Screw	M4 x 32mm Phillips Head Machine Screw	1
Motor Mount Screws	2 x 10mm Phillips Head Machine Screw	4
Ball Link Nuts	M2	6
Ball Link Screws	M2 x 10mm Phillips Head Machine Screw	4
Propeller Nut	M6	1
Propeller Washer	M6 Washer	1
Wing and Stabilizer Captured Nuts	M4	3
Spinner Screws	M2.5 x 4mm	2

Important Federal Aviation Administration (FAA) Information



Use the QR code below to learn more about the Recreational UAS Safety Test (TRUST), as was introduced by the 2018 FAA Reauthorization Bill. This free test is required by the FAA for all recreational flyers in the United States. The completed certificate must be presented upon request by any FAA or law enforcement official.



If your model aircraft weighs more than .55lbs or 250 grams, you are required by the FAA to register as a recreational flyer and apply your registration number to the outside of your aircraft. To learn more about registering with the FAA, use the QR code below.



According to FAA regulation, all unmanned aircraft over .55lbs (250 grams) flying in United States airspace are required to either fly within an FAA-Recognized Identification Area (FRIA) or continually transmit an FAA-registered remote identification from a Remote ID broadcast module, such as the Spektrum™ Sky™ Remote ID module (SPMA9500). Use the QR code to learn more about the FAA Remote ID regulations.

AMA National Model Aircraft Safety Code

Effective January 1, 2018

A model aircraft is a non-human-carrying device capable of sustained flight within visual line of sight of the pilot or spotter(s). It may not exceed limitations of this code and is intended exclusively for sport, recreation, education and/or competition. All model flights must be conducted in accordance with this safety code and related AMA guidelines, any additional rules specific to the flying site, as well as all applicable laws and regulations.

As an AMA member I agree:

- I will not fly a model aircraft in a careless or reckless manner.
- I will not interfere with and will yield the right of way to all human-carrying aircraft using AMA's See and Avoid Guidance and a spotter when appropriate.
- I will not operate any model aircraft while I am under the influence of alcohol or any drug that could adversely affect my ability to safely control the model.
- I will avoid flying directly over unprotected people, moving vehicles, and occupied structures.
- I will fly Free Flight (FF) and Control Line (CL) models in compliance with AMA's safety programming.
- I will maintain visual contact of an RC model aircraft without enhancement other than corrective lenses prescribed to me. When using an advanced flight system, such as an autopilot, or flying First-Person View (FPV), I will comply with AMA's Advanced Flight System programming.
- I will only fly models weighing more than 55 pounds, including fuel, if certified through AMA's Large Model Airplane Program.
- I will only fly a turbine-powered model aircraft in compliance with AMA's Gas Turbine Program.
- I will not fly a powered model outdoors closer than 25 feet to any individual, except for myself or my helper(s) located at the flightline, unless I am taking off and landing, or as otherwise provided in AMA's Competition Regulation.
- I will use an established safety line to separate all model aircraft operations from spectators and bystanders.

Limited Warranty

What this Warranty Covers—Horizon Hobby, LLC, (Horizon) warrants to the original purchaser that the product purchased (the “Product”) will be free from defects in materials and workmanship at the date of purchase.

What is Not Covered—This warranty is not transferable and does not cover (i) cosmetic damage, (ii) damage due to acts of God, accident, misuse, abuse, negligence, commercial use, or due to improper use, installation, operation or maintenance, (iii) modification of or to any part of the Product, (iv) attempted service by anyone other than a Horizon Hobby authorized service center, (v) Product not purchased from an authorized Horizon dealer, (vi) Product not compliant with applicable technical regulations, or (vii) use that violates any applicable laws, rules, or regulations.

OTHER THAN THE EXPRESS WARRANTY ABOVE, HORIZON MAKES NO OTHER WARRANTY OR REPRESENTATION, AND HEREBY DISCLAIMS ANY AND ALL IMPLIED WARRANTIES, INCLUDING, WITHOUT LIMITATION, THE IMPLIED WARRANTIES OF NON-INFRINGEMENT, MERCHANTABILITY AND FITNESS FOR A PARTICULAR PURPOSE. THE PURCHASER ACKNOWLEDGES THAT THEY ALONE HAVE DETERMINED THAT THE PRODUCT WILL SUITABLY MEET THE REQUIREMENTS OF THE PURCHASER’S INTENDED USE.

Purchaser’s Remedy—Horizon’s sole obligation and purchaser’s sole and exclusive remedy shall be that Horizon will, at its option, either (i) service, or (ii) replace, any Product determined by Horizon to be defective. Horizon reserves the right to inspect any and all Product(s) involved in a warranty claim. Service or replacement decisions are at the sole discretion of Horizon. Proof of purchase is required for all warranty claims. SERVICE OR REPLACEMENT AS PROVIDED UNDER THIS WARRANTY IS THE PURCHASER’S SOLE AND EXCLUSIVE REMEDY.

Limitation of Liability—HORIZON SHALL NOT BE LIABLE FOR SPECIAL, INDIRECT, INCIDENTAL OR CONSEQUENTIAL DAMAGES, LOSS OF PROFITS OR PRODUCTION OR COMMERCIAL LOSS IN ANY WAY, REGARDLESS OF WHETHER SUCH CLAIM IS BASED IN CONTRACT, WARRANTY, TORT, NEGLIGENCE, STRICT LIABILITY OR ANY OTHER THEORY OF LIABILITY, EVEN IF HORIZON HAS BEEN ADVISED OF THE POSSIBILITY OF SUCH DAMAGES. Further, in no event shall the liability of Horizon exceed the individual price of the Product on which liability is asserted. As Horizon has no control over use, setup, final assembly, modification or misuse, no liability shall be assumed nor accepted for any resulting damage or injury. By the act of use, setup or assembly, the user accepts all resulting liability. If you as the purchaser or user are not prepared to accept the liability associated with the use of the Product, purchaser is advised to return the Product immediately in new and unused condition to the place of purchase.

Law—These terms are governed by Illinois law (without regard to conflict of law principals). This warranty gives you specific legal rights, and you may also have other rights which vary from state to state. Horizon reserves the right to change or modify this warranty at any time without notice.

WARRANTY SERVICES

Questions, Assistance, and Services—Your local hobby store and/or place of purchase cannot provide warranty support or service. Once assembly, setup or use of the Product has been started, you must contact your local distributor or Horizon directly. This will enable Horizon to better answer your questions and service you in

the event that you may need any assistance. For questions or assistance, please visit our website at www.horizonhobby.com, submit a Product Support Inquiry, or call the toll free telephone number referenced in the Warranty and Service Contact Information section to speak with a Product Support representative.

Inspection or Services—If this Product needs to be inspected or serviced and is compliant in the country you live and use the Product in, please use the Horizon Online Service Request submission process found on our website or call Horizon to obtain a Return Merchandise Authorization (RMA) number. Pack the Product securely using a shipping carton. Please note that original boxes may be included, but are not designed to withstand the rigors of shipping without additional protection. Ship via a carrier that provides tracking and insurance for lost or damaged parcels, as Horizon is not responsible for merchandise until it arrives and is accepted at our facility. An Online Service Request is available at http://www.horizonhobby.com/content/service-center_render-service-center. If you do not have internet access, please contact Horizon Product Support to obtain a RMA number along with instructions for submitting your product for service. When calling Horizon, you will be asked to provide your complete name, street address, email address and phone number where you can be reached during business hours. When sending product into Horizon, please include your RMA number, a list of the included items, and a brief summary of the problem. A copy of your original sales receipt must be included for warranty consideration. Be sure your name, address, and RMA number are clearly written on the outside of the shipping carton.

NOTICE: Do not ship LiPo batteries to Horizon. If you have any issue with a LiPo battery, please contact the appropriate Horizon Product Support office.

Warranty Requirements—For Warranty consideration, you must include your original sales receipt verifying the proof-of-purchase date. Provided warranty conditions have been met, your Product will be serviced or replaced free of charge. Service or replacement decisions are at the sole discretion of Horizon.

Non-Warranty Service—Should your service not be covered by warranty, service will be completed and payment will be required without notification or estimate of the expense unless the expense exceeds 50% of the retail purchase cost. By submitting the item for service you are agreeing to payment of the service without notification. Service estimates are available upon request. You must include this request with your item submitted for service. Non-warranty service estimates will be billed a minimum of ½ hour of labor. In addition you will be billed for return freight. Horizon accepts money orders and cashier’s checks, as well as Visa, MasterCard, American Express, and Discover cards. By submitting any item to Horizon for service, you are agreeing to Horizon’s Terms and Conditions found on our website http://www.horizonhobby.com/content/service-center_render-service-center.

ATTENTION: Horizon service is limited to Product compliant in the country of use and ownership. If received, a non-compliant Product will not be serviced. Further, the sender will be responsible for arranging return shipment of the un-serviced Product, through a carrier of the sender’s choice and at the sender’s expense. Horizon will hold non-compliant Product for a period of 60 days from notification, after which it will be discarded.

10/15


Warranty and Service Contact Information

Country of Purchase	Horizon Hobby	Contact Information	Address
United States of America	Horizon Service Center (Repairs and Repair Requests)	servicecenter.horizonhobby.com/RequestForm/	2904 Research Rd Champaign, IL 61822
	Horizon Product Support (Product Technical Assistance)	productsupport@horizonhobby.com 877-504-0233	
	Sales	websales@horizonhobby.com 800-338-4639	
European Union	Horizon Technischer Service	service@horizonhobby.eu	Hanskampring 9 D 22885 Barsbüttel, Germany
	Sales: Horizon Hobby GmbH	+49 (0) 4121 2655 100	

FCC Information

Contains: FCC ID: BRWSPMSR6200A
Supplier's Declaration of Conformity
EFL ElectroStreak BNF-Basic (EFL13350) and
EFL ElectroStreak PNP (EFL13375)

This device complies with part 15 of the FCC Rules. Operation is subject to the following two conditions: (1) This device may not cause harmful interference, and (2) this device must accept any interference received, including interference that may cause undesired operation.

 **CAUTION:** Changes or modifications not expressly approved by the party responsible for compliance could void the user's authority to operate the equipment.

NOTE: This equipment has been tested and found to comply with the limits for a Class B digital device, pursuant to part 15 of the FCC Rules. These limits are designed to provide reasonable protection against harmful interference in a residential installation. This equipment generates, uses and can radiate radio

frequency energy and, if not installed and used in accordance with the instructions, may cause harmful interference to radio communications. However, there is no guarantee that interference will not occur in a particular installation. If this equipment does cause harmful interference to radio or television reception, which can be determined by turning the equipment off and on, the user is encouraged to try to correct the interference by one or more of the following measures:

- Reorient or relocate the receiving antenna.
- Increase the separation between the equipment and receiver.
- Connect the equipment into an outlet on a circuit different from that to which the receiver is connected.
- Consult the dealer or an experienced radio/TV technician for help.

Horizon Hobby, LLC
 2904 Research Rd.,
 Champaign, IL 61822
 Email: compliance@horizonhobby.com
 Web: HorizonHobby.com


IC Information

Contains: CAN ICES-3 (B)/NMB-3(B)
Contains: IC: 6157A-SPMSR6200A

This device contains license-exempt transmitter(s)/receivers(s) that comply with Innovation, Science, and Economic Development Canada's license-exempt RSS(s). Operation is subject to the following 2 conditions:

1. This device may not cause interference.
2. This device must accept any interference, including interference that may cause undesired operation of the device.

Compliance Information for the European Union

 **EU Compliance Statement:**
EFL ElectroStreak PNP (EFL13375): Hereby, Horizon Hobby, LLC declares that the device is in compliance with the following: EU EMC Directive 2014/30/EU, RoHS 2 Directive 2011/65/EU, RoHS 3 Directive - Amending 2011/65/EU Annex II 2015/863

EFL ElectroStreak BNF-Basic (EFL13350) Hereby, Horizon Hobby, LLC declares that the device is in compliance with the following: EU Radio Equipment Directive 2014/53/EU, RoHS 2 Directive 2011/65/EU, RoHS 3 Directive - Amending 2011/65/EU Annex II 2015/863.

The full text of the EU declaration of conformity is available at the following internet address: <https://www.horizonhobby.com/content/support-render-compliance>.

Wireless Frequency Range and Wireless Output Power:
 2404-2476MHz
 5.58dBm

EU Manufacturer of Record:

Horizon Hobby, LLC
 2904 Research Road
 Champaign, IL 61822 USA

EU Importer of Record:

Horizon Hobby, GmbH
 Hanskampring 9
 22885 Barsbüttel Germany

WEEE NOTICE:



This appliance is labeled in accordance with European Directive 2012/19/EU concerning waste of electrical and electronic equipment (WEEE). This label indicates that this product should not be disposed of with household waste. It should be deposited at an appropriate facility to enable recovery and recycling.



HINWIS

Allen Anweisungen, Garantien und anderen zugehörigen Dokumenten sind Änderungen nach Ermessen von Horizon Hobby, LLC vorbehalten. Aktuelle Produktliteratur finden Sie unter www.horizonhobby.com oder www.towerhobbies.com im Support-Abschnitt für das Produkt.

ERKLÄRUNG DER BEGRIFFE

Die folgenden Begriffe werden in der gesamten Produktliteratur verwendet, um auf unterschiedlich hohe Gefahrenrisiken beim Betrieb dieses Produkts hinzuweisen:

WARNUNG: Wenn diese Verfahren nicht korrekt befolgt werden, ergeben sich wahrscheinlich Sachschäden, Kollateralschäden und schwere Verletzungen ODER mit hoher Wahrscheinlichkeit oberflächliche Verletzungen.

ACHTUNG: Wenn diese Verfahren nicht korrekt befolgt werden, ergeben sich wahrscheinlich Sachschäden UND die Gefahr von schweren Verletzungen.

HINWEIS: Wenn diese Verfahren nicht korrekt befolgt werden, können sich möglicherweise Sachschäden UND geringe oder keine Gefahr von Verletzungen ergeben.



WARNUNG: Lesen Sie die GESAMTE Bedienungsanleitung, um sich vor dem Betrieb mit den Produktfunktionen vertraut zu machen. Wird das Produkt nicht korrekt betrieben, kann dies zu Schäden am Produkt oder persönlichem Eigentum führen oder schwere Verletzungen verursachen.

Dies ist ein hochentwickeltes Hobby-Produkt. Es muss mit Vorsicht und gesundem Menschenverstand betrieben werden und benötigt gewisse mechanische Grundfähigkeiten. Wird dieses Produkt nicht auf eine sichere und verantwortungsvolle Weise betrieben, kann dies zu Verletzungen oder Schäden am Produkt oder anderen Sachwerten führen. Versuchen Sie nicht ohne Genehmigung durch Horizon Hobby, LLC, das Produkt zu zerlegen, es mit inkompatiblen Komponenten zu verwenden oder auf jegliche Weise zu erweitern. Diese Bedienungsanleitung enthält Anweisungen für Sicherheit, Betrieb und Wartung. Es ist unbedingt notwendig, vor Zusammenbau, Einrichtung oder Verwendung alle Anweisungen und Warnhinweise im Handbuch zu lesen und zu befolgen, damit es bestimmungsgemäß betrieben werden kann und Schäden oder schwere Verletzungen vermieden werden.

Nicht geeignet für Kinder unter 14 Jahren. Dies ist kein Spielzeug.

Sicherheitshinweise und Warnungen

Als Nutzer dieses Produktes, sind Sie allein verantwortlich, es in einer Art und Weise zu benutzen, die eine eigene Gefährdung und die anderer oder Beschädigung an anderem Eigentum ausschließt. Das Modell ist ferngesteuert und anfällig für bestimmte äußere Einflüsse. Diese Einflüsse können zum vorübergehenden Verlust der Steuerfähigkeit führen, so dass es immer sinnvoll ist genügend Sicherheitsabstand in alle Richtungen um das Modell zu haben.

- Fahren Sie das Modell nie mit fast leeren oder schwachen Senderbatterien.
- Betreiben Sie Ihr Modell stets auf offenen Geländen, weit ab von Automobilen, Verkehr und Menschen.
- Fahren Sie Ihr Modell nicht auf der Straße oder belebten Plätzen.
- Beachten Sie vorsichtig alle Hinweise und Warnungen für das Modell und allen dazu gehörigen Equipment.
- Halten Sie alle Chemikalien, Kleinteile und elektrische Bauteile aus der Reichweite von Kindern.
- Lecken Sie niemals an Teilen von Ihrem Modell oder nehmen diese in den Mund, da diese Sie ernsthaft verletzen oder töten können.
- Seien Sie immer aufmerksam wenn Sie Werkzeug oder scharfe Instrumente verwenden.
- Seien Sie bei dem Bau vorsichtig, da einige Teile scharfe Kanten haben könnten.
- Fassen Sie bitte unmittelbar nach dem Betrieb nicht den Motor, Regler oder Akku an, da diese Teile sich sehr erwärmen können und Sie sich bei dem berühren ernsthaft verbrennen können.
- Fassen Sie nicht in drehende oder sich bewegende Teile, da sich ernsthaft dabei verletzen können.
- Schalten Sie immer zuerst den Sender ein, bevor Sie den Empfänger im Fahrzeug einschalten.
- Stellen Sie das Fahrzeug mit den Rädern nicht auf den Boden, wenn Sie die Funktionen überprüfen.



WARNUNG VOR GEFÄLSCHTEN PRODUKTEN: Sollten Sie jemals eine Spektrum Komponente ersetzen wollen, kaufen Sie die benötigten Ersatzteile immer bei Horizon Hobby oder einem von Horizon Hobby autorisierten Händler, um sicherzugehen, dass Sie beste Spektrum Qualität erhalten. Horizon Hobby, LLC lehnt jedwede Haftung, Garantie und Serviceleistung in Bezug auf, aber nicht ausschließlich für, Kompatibilitäts- und Leistungsansprüche von gefälschten Produkten oder Produkten, die angeben mit DSM oder Spektrum kompatibel zu sein, ab.

Registrierung

Registrieren Sie Ihr Produkt heute, um zu unserer Mailing-Liste zu gehören und mit Produktaktualisierungen, Angeboten und E-flite News auf dem neuesten Stand zu sein.



Inhaltsverzeichnis

SAFE Select-Technologie (BNF Basic)	24
Automatische Konfiguration des Senders	24
Manual Transmitter Setup	25
Zusammenbau des Modells	26
Montage des Empfängers: PNP	28
Schwerpunkt (CG)	28
Einbau des Akkus und Scharfschaltung des ESC	29
Sender und Empfänger binden / Ein- und Ausschalten von SAFE Select	30
Schalterbelegung von SAFE Select	31
Test Richtung der Steuerflächen	32
Zentrieren der Kontrollen	32
Horn- und Servoarm-Einstellungen	33
Duale Geschwindigkeiten und Ruderausschlag	33
Niederspannungsabschaltung (LVC)	33
AS3X+-Kontrolle Lenkstest	34
Trimmung während des Fluges	34
Handstart-Assistenzmodus	35
Flugtipps und Reparaturen	35
Nach dem Flug	36
Wartung der elektrischen Teile	36
AS3X+ Fehlerbehebung	37
Fehlerbehebung	37
Ersatzteile	38
Empfohlene Ergänzungen	38
Optionale Teile	38
Hardware-Liste	38
Haftungsbeschränkung	39
Kontaktinformationen zu Garantie und Service	39
Konformitätshinweise für die Europäische Union	40

Technische Daten

Spannweite	1100 mm (43,3 ")
Länge	938 mm (36,9 ")
Gewicht	Ohne Akku: 885 g Mit empfohlenem 4S 2200 mAh Akku: 1118g

Mitgelieferte Ausrüstung

Empfänger	AR631+ DSMX 6-Kanal AS3X+ & SAFE Empfänger (SPM-1031) (nur BNF)
Geschwindigkeitsregler	Avian™ 45-Amp Smart Lite Bürstenloser Geschwindigkeitsregler, 3S–6S mit IC3 Steckverbinder (SPMXAE45D)
Motor	Bürstenloser Außenläufermotor 3542-1000 Kv 14-polig (SPMXAM4200)
Servos	(2) Höhen- und Seitenruder: A111 13 g Metallgetriebe servo (SPMSA111) (2) Querruder: A112 13 g Metallgetriebe servo (SPMSA112)

Erforderliches Zubehör

Sender	Vollbereich 6-Kanal 2,4 GHz mit Spektrum DSM2/DSMX® Technologie
Akku	3S-4S 14,8 V 1800–2200 mAh 30C LiPo mit EC3™ oder IC3®-Anschluss
Akkuladegerät	4-zelliges LiPo-Akkuausgleichsladegerät
Empfänger	5+ Kanal (AR631+ empfohlen) (nur PNP)

Erforderliches Werkzeug



- Kreuzschlitzschraubendreher (PH#02)

SAFE Select-Technologie (BNF Basic)

Die BNF Basic-Version dieses Flugzeugs verfügt über die SAFE Select-Technologie, die im Flug einen zusätzlichen Schutz bietet. Verwenden Sie die folgenden Anweisungen, um das SAFE Select-System zu aktivieren und einem Switch zuzuweisen. Wenn diese Option aktiviert ist, verhindert SAFE Select, dass das Flugzeug die vorgegebenen Grenzwerte überschreitet oder kippt. Durch die automatische Selbstnivellierung wird das Flugzeug in einer geraden und waagerechten Fluglage gehalten, wenn Querruder, Höhenruder und Ruderhebel neutral sind.

SAFE Select ist während des Bindungsvorgangs aktiviert oder deaktiviert. Wenn das Flugzeug mit SAFE Select aktiviert ist, kann ein Schalter zum Umschalten zwischen dem SAFE Select-Modus und dem AS3X+-Modus zugewiesen werden. Die

AS3X+-Technologie bleibt ohne Banklimits oder Selbstnivellierung aktiv, wenn SAFE Select deaktiviert oder deaktiviert ist.

- SAFE Select Off: Immer im AS3X+-Modus
- SAFE Select Ein - kein Schalter zugewiesen: Immer im SAFE Select-Modus
- SAFE Select Ein mit zugewiesenem Schalter: Umschalten zwischen SAFESelect-Modus und AS3X+-Modus

Automatische Konfiguration des Senders

Der AR631+-Empfänger, der im Lieferumfang Ihres ElectroStreak enthalten ist, ist mit einer völlig neuen AS3X+/SAFE-Version programmiert. Dazu gehört auch eine Smart Transmitter-Datei, deren Konfiguration speziell für das ElectroStreak entwickelt wurde. So können die Einstellungen für den Sender während des Bindevorgangs schnell und direkt von Ihrem Empfänger importiert werden.

Unterstützte Sender und Firmware-Anforderungen:

- Alle NX-Sender (mit Firmware-Version 4.0.11+)
- iX14 (mit App-Version 2.0.9+)
- iX20 (mit App-Version 2.0.9+)

Wichtig: iX12- und DX-Sender unterstützen zur Zeit keine Smart Transmitter-Dateiübertragungen.

Laden der Smart Transmitter-Dateien:

1. Den Sender einschalten.
2. Eine neue leere Modelldatei auf dem Sender erstellen.
3. Den Empfänger einschalten.
4. Den Bindungsschalter am Sender betätigen.
5. Den Sender in den Bindungsmodus bringen. Das Modell wird normal gebunden.
6. Nach Abschluss des Bindens erscheint der Download-Bildschirm wie rechts dargestellt.
7. **LOAD** wählen, um fortzufahren.

Der rechts abgebildete HINWEIS-Bildschirm weist darauf hin, dass beim Herunterladen alle Informationen des aktuellen Modells überschrieben werden. Wenn es sich um ein neues Modell handelt, werden einfach die Senderparameter des ElectroStreak in das ausgewählte Modell eingefügt und in ElectroStreak umbenannt.

HINWEIS: Durch die Bestätigung werden alle zuvor gespeicherten Senderkonfigurationen überschrieben.

8. **BESTÄTIGEN** drücken, um fortzufahren.
9. Nach Abschluss des Downloads wird die Datei auf Ihrem Sender installiert und die Telemetriedaten werden automatisch geladen.

Nach Abschluss des Ladevorgangs, kehrt das Funkgerät zum Startbildschirm zurück, und „ElectroStreak BNF-B EFL13350“ wird angezeigt.

Die Senderkonfiguration ist nun abgeschlossen, und Sie können Ihr Flugzeug fliegen.

Flug-Timer

In der Sender-Konfigurationsdatei ist kein Flugtimer geladen. Der Spannungswächter warnt, wenn die Batteriespannung bis knapp über den LVC-Wert gesunken ist, d.h. es ist Zeit für die Landung. Dieses System funktioniert nur bei Verwendung von Smart-Akkus. Wenn kein Smart-Akku verwendet wird, den Flugtimer zur Überwachung der Flugzeit einstellen.

Smart Transmitter-Datei

Der Empfänger enthält eine vorinstallierte Smart Transmitter-Datei.

RX-Version: EFL13350

„Firmware-Version“

Möchten Sie die Datei vom Empfänger laden

ÜBERSPRINGEN

LADEN

HINWEIS

Dadurch werden ALLE aktuellen Modelleinstellungen überschrieben.

Wenn sich die Hardware des BNF-Modells geändert hat, funktioniert die Datei des Empfängers möglicherweise nicht richtig – verwenden Sie sie nicht ohne Überprüfung.

Möchten Sie die Datei vom Empfänger laden

ZURÜCK

BESTÄTIGEN

Manual Transmitter Setup

WICHTIG: Nach dem Einrichten des Modells immer den Sender und Empfänger erneut binden, um die gewünschten Failsafe-Positionen einzurichten.

Für den Erstflug den Flug-Timer auf 4 Minuten einstellen, wenn ein 4S 2200 mAh Akku verwendet wird. Die Dauer nach dem Erstflug anpassen.

Telemetrie-einstellungen	
Rx V / Min Rx V	4.2V
Geschwindigkeitsregler Smart / Niederspannungsalarm	3.4V
Smart-Akku / Startmindestspannung	4.0V
Motorpole-Zähler	14

Konfiguration von Sendern der NX-Serie

- Schalten Sie Ihren Sender EIN, klicken Sie das Scrollrad an, gehen Sie zu Systemkonfiguration und klicken Sie das Scrollrad an. JA auswählen.
- Gehen Sie auf Modellauswahl und wählen Sie Neues Modell hinzufügen weiter unten in der Liste. Wählen Sie Flugzeugtyp durch Auswählen des Flugzeugbilds, wählen Sie Erstellen.
- Modellnamen einstellen: Geben Sie einen Namen für Ihre Modelldatei ein.
- Gehen Sie zu Flugzeugtyp und scrollen Sie zur Tragflächenauswahl, wählen Sie **Tragfläche: 1 Querruder Leitwerk: Normal**
- Wählen Sie Hauptbildschirm, Klicken Sie das Scrollrad an, um zur Funktionsliste zu gelangen.
- Gehen Sie zum Menü **D/R (Duale Geschwindigkeit)** und **Expo**, um **D/R** und **Expo** einzustellen.
- Duale Geschwindigkeiten und Expo: **Querruder**
Schalter einstellen: **Schalter F**
Hohe Geschwindigkeiten einstellen: 100%,
Expo 10% — Niedrige Geschwindigkeiten: 70%, Expo 5%
- Duale Geschwindigkeiten und Expo: **Höhenruder**
Schalter einstellen: **Schalter C**
Hohe Geschwindigkeiten: 100%,
Expo 10% — Niedrige Geschwindigkeiten 70%, Expo 5%
- Duale Geschwindigkeiten und Expo: **Seitenruder**
Schalter einstellen: **Schalter G**
Hohe Geschwindigkeiten: 100%,
Expo 10% — Niedrige Geschwindigkeiten 70%, Expo 5%
- Gasabschaltung einstellen; Schalter: **Schalter H**, Position: **-100%**

Konfiguration von Sendern der iX-Serie

- Schalten Sie Ihren Sender EIN und beginnen Sie, sobald die App Spektrum AirWare geöffnet ist.
Wählen Sie das orangene Stiftsymbol oben links auf dem Bildschirm, das System erfragt eine Erlaubnis zum Ausschalten RF, wählen Sie **FORTFAHREN**.
- Wählen Sie die drei Punkte in der oberen rechten Ecke des Bildschirms und wählen Sie Neues Modell hinzufügen.
- Gehen Sie auf Modelloption, wählen Sie **STANDARDMÄSSIG**, wählen Sie Flugzeug. Das System fragt, ob Sie ein neues Acro-Modell erstellen möchten, wählen Sie Erstellen.
- Wählen Sie das letzte Modell in der Liste aus, das Acro heißt. Klicken Sie das Wort Acro an und geben Sie der Datei einen neuen Namen Ihrer Wahl.
- Drücken und halten Sie das Pfeil-zurück-Symbol in der oberen linken Ecke des Bildschirms, um zum Hauptbildschirm zurückzukehren.
- Zum Menü Einstellungen des Modells gehen. Flugzeug-Typ auswählen. Das System bittet um die Erlaubnis, RF auszuschalten, wählen Sie **FORTFAHREN**.
Berühren Sie den Bildschirm, um eine Tragfläche auszuwählen.
1 Querruder auswählen.
- Drücken und halten Sie das Pfeil-zurück-Symbol in der oberen linken Ecke des Bildschirms, um zum Hauptbildschirm zurückzukehren.

Duale Geschwindigkeiten

Machen Sie Ihre ersten Flugversuche bei niedriger Geschwindigkeit. Zum Landen einen großen Ausschlag am Höhenruder verwenden.

HINWEIS: Um sicherzustellen, dass die AS3X+-Technologie einwandfrei funktioniert, die Werte nicht unter 50 % senken. Wenn geringere Steuerausschläge gewünscht werden, die Position des Gestänges am Servoarm manuell anpassen.

HINWEIS: Tritt Oszillation bei hoher Geschwindigkeit auf, die Anleitung zur Fehlerbehebung für weitere Informationen lesen.

Exponentiell

Nach den ersten Flügen können Sie den Expo-Wert in Ihrem Sender anpassen.

Konfiguration von Sendern der DX-Serie

- Schalten Sie Ihren Sender EIN, klicken Sie das Scrollrad an, gehen Sie zu Systemkonfiguration und klicken Sie das Scrollrad an. JA auswählen.
- Gehen Sie auf Modellauswahl und wählen Sie Neues Modell hinzufügen ganz unten in der Liste. Das System fragt, ob Sie ein neues Modell erstellen möchten, wählen Sie Erstellen.
- Modelltyp einstellen: Wählen Sie Flugzeugmodelltyp durch Auswählen des Flugzeugs. Das System bittet Sie, den Modelltyp zu bestätigen. Die Daten werden zurückgesetzt. JA auswählen
- Modellnamen einstellen: Geben Sie einen Namen für Ihre Modelldatei ein.
- Gehen Sie zu Flugzeugtyp und scrollen Sie zur Tragflächenauswahl, wählen Sie **Tragfläche: 1 Querruder Leitwerk: Normal**
- Wählen Sie Hauptbildschirm, Klicken Sie das Scrollrad an, um zur Funktionsliste zu gelangen.
- D/R (Duale Geschwindigkeit) und Expo einstellen: **Querruder**
Schalter einstellen: **Schalter F**
Hohe Geschwindigkeiten einstellen: 100%,
Expo 10% — Niedrige Geschwindigkeiten: 70%, Expo 5%
- D/R (Duale Geschwindigkeit) und Expo einstellen: **Höhenruder**
Schalter einstellen: **Schalter C**
Hohe Geschwindigkeiten: 100%,
Expo 10% — Niedrige Geschwindigkeiten 70%, Expo 5%
- Duale Geschwindigkeiten und Expo: **Seitenruder**
Schalter einstellen: **Schalter G**
Hohe Geschwindigkeiten: 100%,
Expo 10% — Niedrige Geschwindigkeiten 70%, Expo 5%
- Gasabschaltung einstellen; Schalter: **Schalter H**, Position: **-100%**

Konfiguration von Sendern der iX-Serie

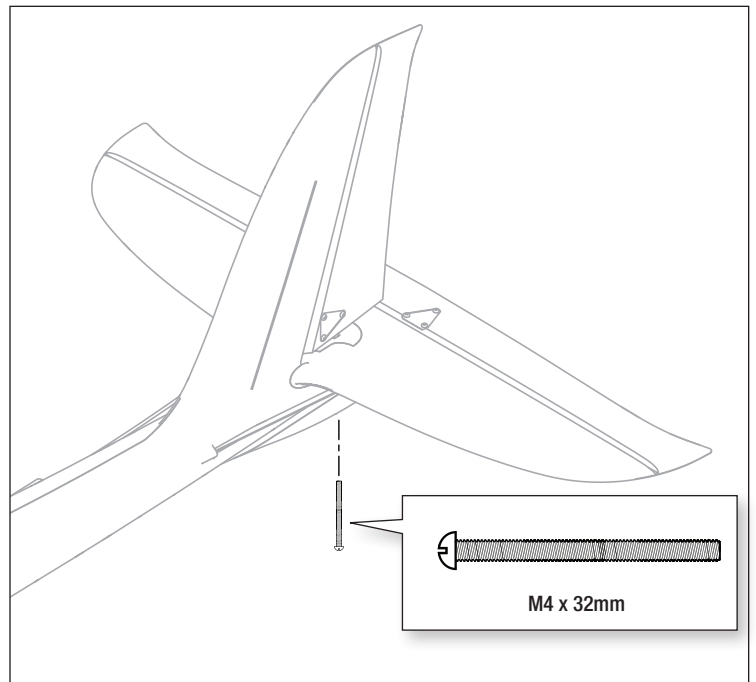
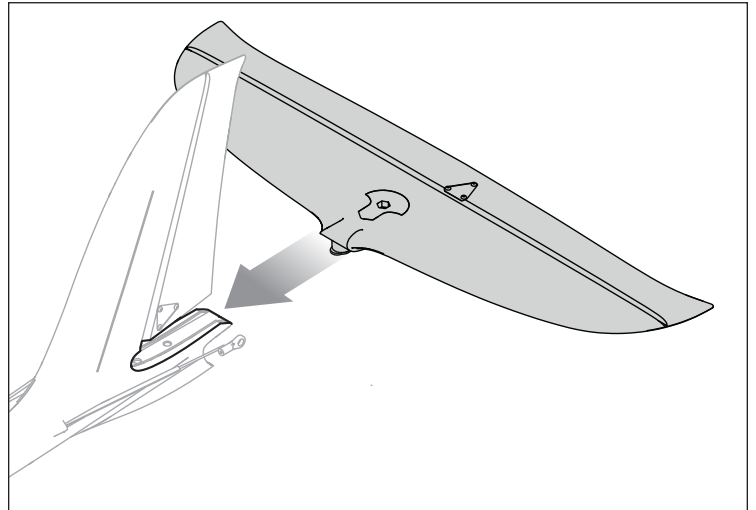
- Zum Menü Anpassen des Modells gehen.
- Duale Geschwindigkeiten und Expo einstellen: Querruder auswählen
Schalter einstellen: **Schalter F**
Hohe Geschwindigkeiten einstellen: 100%, Expo 10% — Niedrige Geschwindigkeiten: 70%, Expo 5%
- Duale Geschwindigkeiten und Expo einstellen: Höhenruder auswählen
Schalter einstellen: **Schalter C**
Hohe Geschwindigkeiten: 100%, Expo 10% — Niedrige Geschwindigkeiten 70%, Expo 5%
- Duale Geschwindigkeiten und Expo: **Seitenruder**
Schalter einstellen: **Schalter G**
Hohe Geschwindigkeiten: 100%,
Expo 10% — Niedrige Geschwindigkeiten 70%, Expo 5%
- Gasabschaltung einstellen; Schalter: **Schalter H**, Position: **-100%**

Zusammenbau des Modells

Montage des Höhenleitwerks

1. Den horizontalen Stabilisator in den Rumpf schieben.
2. Führen Sie die M4 x 32 mm Maschinenschraube durch die Unterseite des Rumpfes in das Höhenleitwerk ein.
3. Mit einem Kreuzschlitzschraubendreher die Schraube festziehen.
4. Verbinden Sie das Kugelgelenk des Höhenrudergestänges mit einer Kugelgelenkzange.

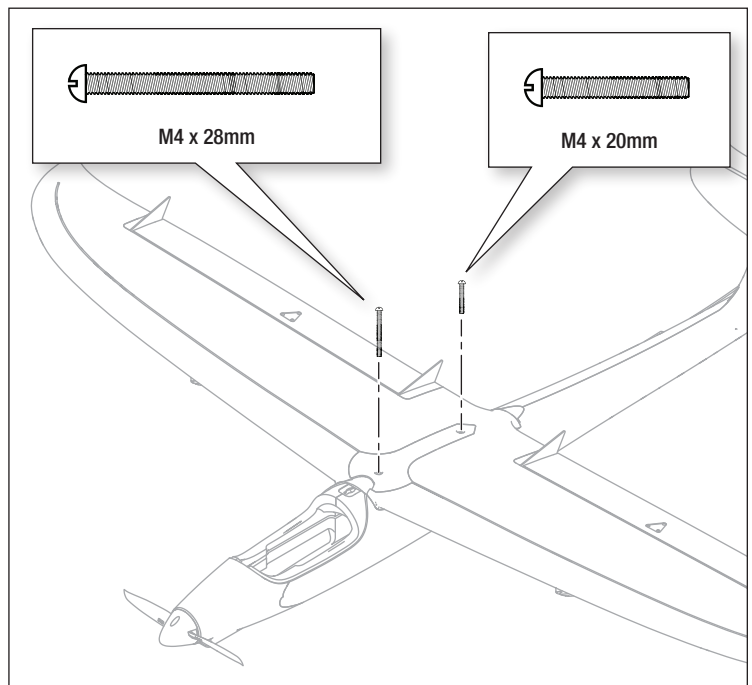
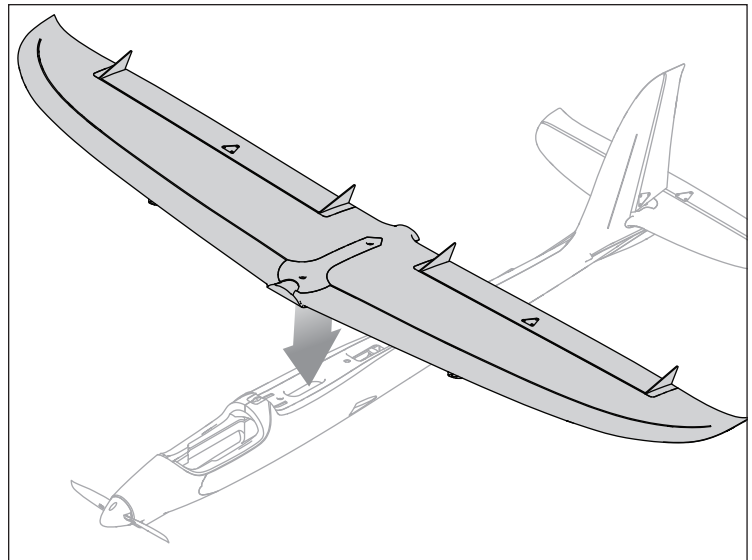
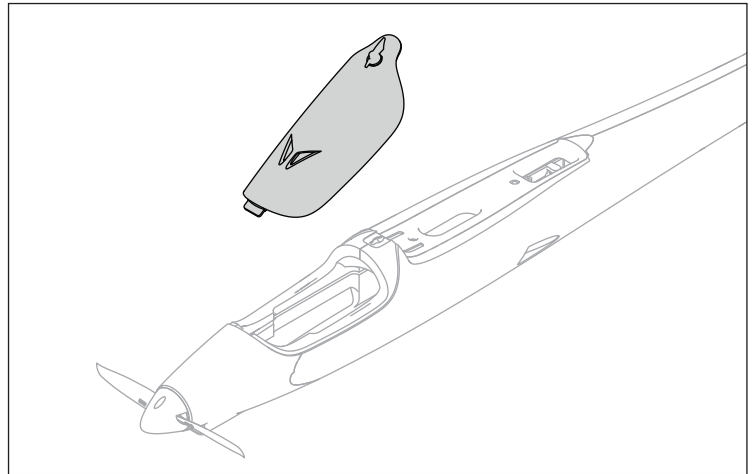
HINWEIS: Die Schraube nicht zu fest anziehen.



Montage der Tragflächen

1. Entfernen Sie die Kanzelabdeckung, indem Sie den Verriegelungsschalter um 90 Grad drehen und die Rückseite der Abdeckung anheben.
2. Die Servokabel vom Flügel an den mitgelieferten Y-Kabelbaum anschließen.
3. Schließen Sie den Y-Kabelbaum an Kanal 2 des Empfängers an.
4. Den Flügel auf der Tragflächenauflage positionieren.
5. Stellen Sie sicher, dass die überstehenden Servokabel in der Empfängeraufnahme verstaut und nicht eingeklemmt sind.
6. Verwenden Sie einen Kreuzschlitzschraubendreher, um die Tragfläche mit zwei Maschinenschrauben M4 x 28 mm (vorne) und M4 x 20 mm (hinten) am Rumpf zu befestigen.

HINWEIS: Die Schrauben nicht zu fest anziehen.



Montage des Empfängers: PNP

Der empfohlene Empfänger für dieses Fluggerät ist der Spektrum AR631+. Wird ein anderer Empfänger montiert, sicherstellen, dass es sich dabei mindestens um einen kompletten Empfänger mit 6 Kanälen handelt. Siehe Handbuch des gewählten Empfängers zur korrekten Montage und Bedienung.

Montage des AR631+

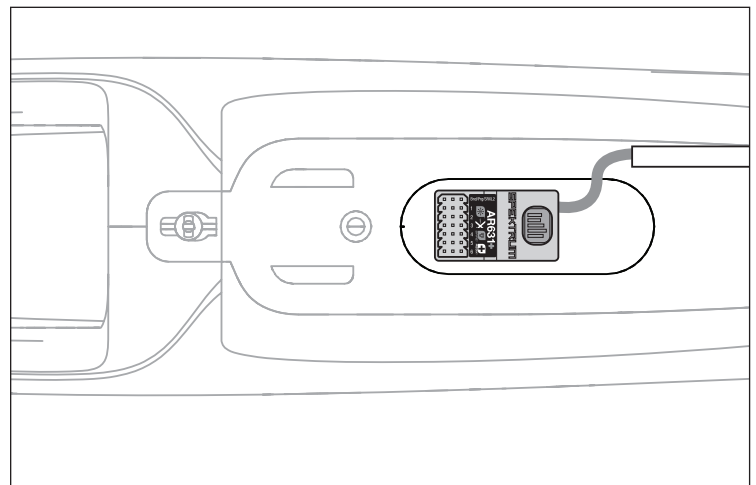
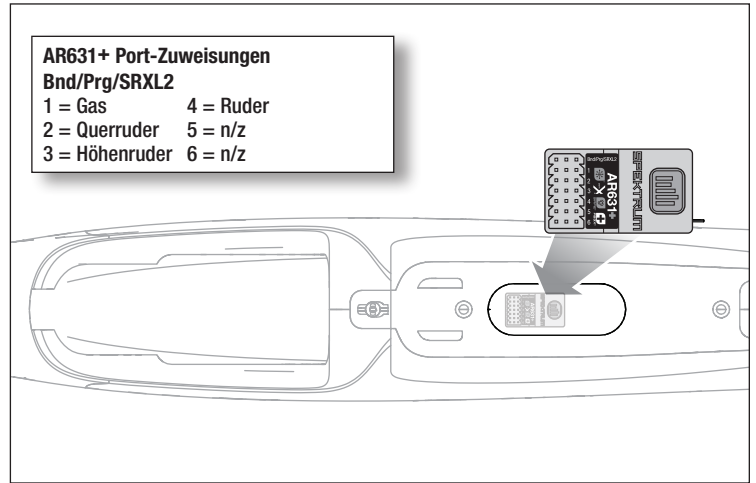
1. Den Verriegelungsschalter der Abdeckung nach hinten drehen und den hinteren Teil der Abdeckung anheben, um sie zu entfernen.
2. Die Steuerflächen laut der Tabelle auf der rechten Seite an ihre jeweiligen Anschlüsse am Empfänger anbringen.
3. Befestigen Sie den Empfänger mit doppelseitigem Klebeband in dem Fach unter der Tragfläche. Der Empfänger muss parallel zur Längsseite des Rumpfs angebracht werden, wobei das Etikett entsprechend der Abbildung nach oben weist und die Servo-Anschlüsse zur Vorderseite des Fluggeräts weisen. Die Ausrichtung des Empfängers ist für die technische Konfiguration aller AS3X+ und SAFE® absolut wichtig.
4. Die Antenne in das Antennenrohr einführen.

⚠ ACHTUNG: Die falsche Montage des Empfängers kann einen Absturz verursachen.

AR631+ Port-Zuweisungen

Bnd/Prg/SRXL2

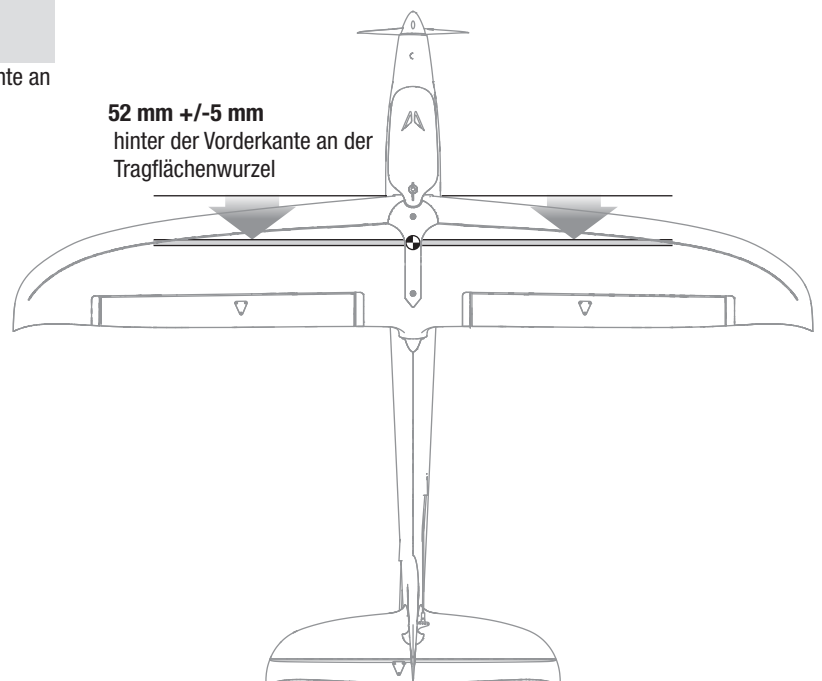
1 = Gas	4 = Ruder
2 = Querruder	5 = n/z
3 = Höhenruder	6 = n/z



Schwerpunkt (CG)

⚠ WARNUNG: Akkus einsetzen, aber nicht an Geschwindigkeitsregler während der Prüfung des Schwerpunkts anschließen. Dies kann Verletzungen verursachen.

Der Schwerpunkt-Bereich befindet sich 52 mm +/- 5 mm hinter der Vorderkante an der Tragflächenwurzel. **Den CG prüfen, wenn das Modell aufrecht steht.**



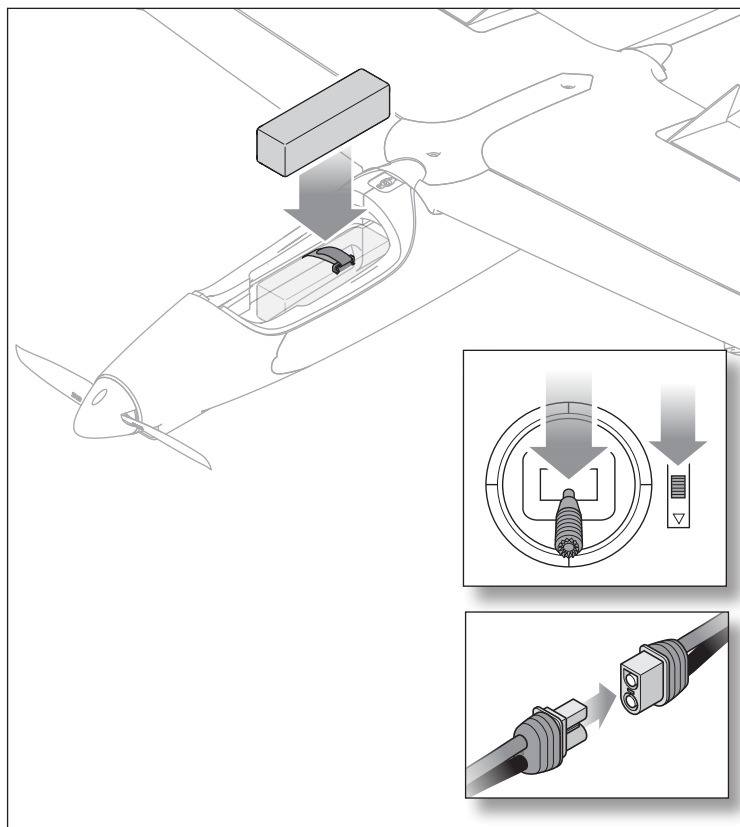
Einbau des Akkus und Scharfschaltung des ESC

Wir empfehlen einen 4S 2200 mAh 30C LiPo-Akku mit IC3-Anschluss. Wird ein anderer Akku verwendet, dann muss dieser in Leistung, Abmessungen und Gewicht ähnlich sein. Immer darauf achten, dass das Modell mit dem gewählten Akku am empfohlenen CG ausbalanciert ist.

1. Die Schlingenseite (glatte Seite) des Klettbandes auf der Unterseite des Akkus anbringen.
2. Den Verriegelungsschalter der Abdeckung nach hinten drehen und den hinteren Teil der Abdeckung zum Entfernen anheben.
3. Den Sender einschalten und 5 Sekunden warten.
4. Die Gaszufuhr auf die niedrigste Einstellung einstellen.
5. Den voll aufgeladenen Akku entsprechend der Abbildung in das Akku-Fach einsetzen.
Zu weiteren Informationen siehe Anweisungen zur Einstellung des Schwerpunktes.
6. Den Flug-Akku mit dem Klettband sichern.
7. Den Geschwindigkeitsregler mit dem IC3-Stecker der Akku-Leitung verbinden und auf die korrekte Polarität achten. Der Geschwindigkeitsregler gibt ein Eröffnungssignal aus.
 - Die erste Tonfolge – 1 Piepton für jede Zelle im angeschlossenen LiPo-Akku-Paket.
 - Ansteigender Piepton zum Beenden des Signals.

HINWEIS: Das Anschließen des Akkus an Geschwindigkeitsregler mit der falschen Polarität verursacht Schäden am Geschwindigkeitsregler verursachen und zum Erlöschen der Garantie führen.

8. Der Geschwindigkeitsregler ist nun einsatzbereit.
9. Die Kanzelabdeckung wieder auf dem Rumpf montieren. Drehen Sie den Riegel, um ihn zu sichern.



Sender und Empfänger binden / Ein- und Ausschalten von SAFE Select

Die BNF Basic-Version dieses Flugzeugs ist mit der SAFE Select-Technologie ausgestattet, die es ermöglicht, den Grad des Flugschutzes auszuwählen. Der SAFE-Modus beinhaltet eine Begrenzung der Schräglage und eine automatische Selbstausrichtung. Der AS3X+-Modus ermöglicht dem Piloten eine direkte Reaktion auf die Steuerhebel. SAFE Select wird während des Bindungsvorgangs aktiviert oder deaktiviert. Ist SAFE Select deaktiviert, befindet sich das Flugzeug stets im AS3X+-Modus. Ist SAFE Select aktiviert, befindet sich das Flugzeug stets im SAFE Select-Modus. Alternativ ist es möglich, einen Schalter für den Wechsel zwischen den Modi SAFE Select und AS3X+ zuzuweisen.

Dank der SAFE Select-Technologie lässt sich dieses Flugzeug für Vollzeit-SAFE-Modus oder Vollzeit-AS3X+-Modus konfigurieren. Auch die Modusauswahl kann einem Schalter zugewiesen werden.

WICHTIG: Vor dem Binden den Abschnitt zur Sendereinrichtung in dieser Anleitung lesen und die Sendereinrichtung abschließen, um sicherzustellen, dass der Sender für dieses Flugzeug korrekt programmiert wurde.

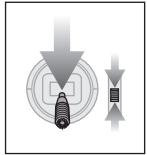
WICHTIG: Die Flugsteuerungen des Senders (Höhen-, Quer- und Seitenruder) und Gasrührung auf neutral stellen. Das Gas vor und während dem Binden auf geringe Gaszufuhr stellen.

Um das Binden und den SAFE Select-Vorgang abzuschließen, lässt sich entweder der Bindungsschalter auf dem Empfängergehäuse oder der konventionelle Bindungsstecker verwenden.

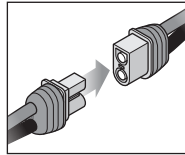
SAFE Select lässt sich auch über die Vorwärtsprogrammierung aktivieren.

Verwendung des Bindungsschalters...

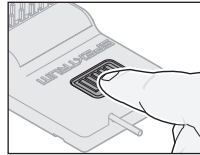
SAFE Select aktiviert



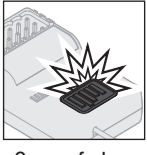
Gas senken



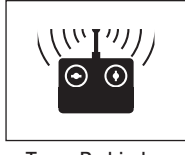
Mit Strom versorgen



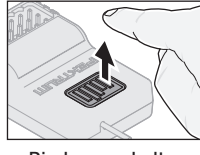
Bindungsschalter betätigen und gedrückt halten



Orangefarben blinkende LED



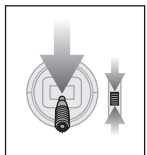
Tx an Rx binden



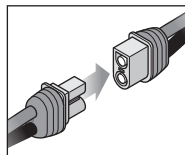
Bindungsschalter loslassen

SAFE SELECT AKTIVIERT: Jedes Mal, wenn der Empfänger eingeschaltet wird, schalten die Steuerflächen **zweimal** hin und her, mit einer kurzen Pause auf der Neutralposition.

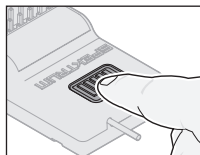
SAFE Select deaktiviert



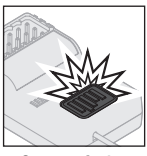
Gas senken



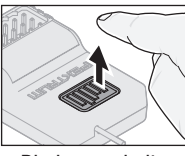
Mit Strom versorgen



Bindungsschalter betätigen



Orangefarben blinkende LED



Bindungsschalter loslassen

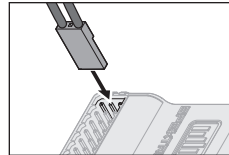


Tx an Rx binden

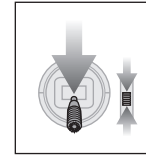
SAFE SELECT DEAKTIVIERT: Jedes Mal, wenn der Empfänger eingeschaltet wird, schalten die Steuerflächen **einmal** hin und her.

Verwendung des Bindungssteckers...

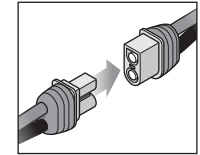
SAFE Select aktiviert



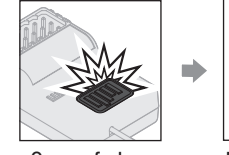
Bindungsstecker installieren



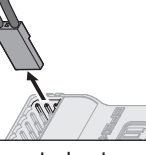
Gas senken



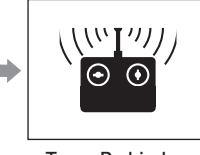
Mit Strom versorgen



Orangefarben blinkende LED



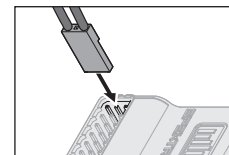
Bindungsstecker trennen



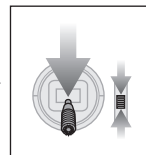
Tx an Rx binden

SAFE SELECT AKTIVIERT: Jedes Mal, wenn der Empfänger eingeschaltet wird, schalten die Steuerflächen **zweimal** hin und her, mit einer kurzen Pause auf der Neutralposition.

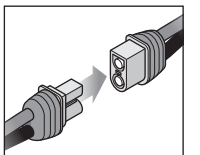
SAFE Select deaktiviert



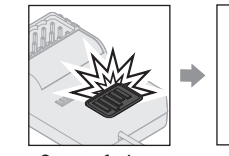
Bindungsstecker installieren



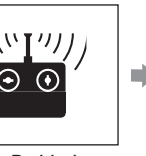
Gas senken



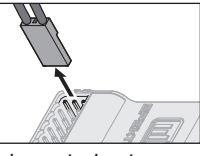
Mit Strom versorgen



Orangefarben blinkende LED



Tx an Rx binden



Bindungsstecker trennen

SAFE SELECT DEAKTIVIERT: Jedes Mal, wenn der Empfänger eingeschaltet wird, schalten die Steuerflächen **einmal** hin und her.

Unterschiede zwischen den Modi SAFE und AS3X+

Dieser Abschnitt ist grundsätzlich präzise, berücksichtigt aber nicht die Fluggeschwindigkeit, den Ladezustand der Batterie und andere einschränkende Faktoren.

	SAFE Select	AS3X+
Steuereingabe	Flugzeug richtet sich selbst aus	Flugzeug behält aktuelle Position bei
	Flugzeug wird in eine moderate Schräglage bzw. Neigung bewegt, wo es verbleibt	Weiterhin langsames Neigen und Rollen des Flugzeugs
	Flugzeug wird bis zu den vorgegebenen Grenzen in Schräglage bzw. Neigung bewegt, wo es verbleibt	Weiterhin schnelles Neigen und Rollen des Flugzeugs

Schalterbelegung von SAFE Select

SAFE Select lässt sich am besten über die Vorwärtsprogrammierung aktivieren. Die SAFE® Select-Technologie kann einfach jedem offenen Schalter (2 oder 3 Position) auf Ihrem Sender zugewiesen werden. Dank dieser Funktion kann die Technologie während des Flugs flexibel aktiviert oder deaktiviert werden.

WICHTIG: Vor dem Zuweisen des gewünschten Schalters sicherstellen, dass der Verfahrensweg für diesen Kanal auf 100 % in beide Richtungen eingestellt ist und das Querruder, Höhenruder, Seitenruder und Gaspedal alle auf hoher Geschwindigkeit mit dem Verfahrensweg bei 100 % stehen. „Throttle-Hold“ auf OFF stellen, falls im Sender programmiert.

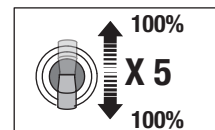
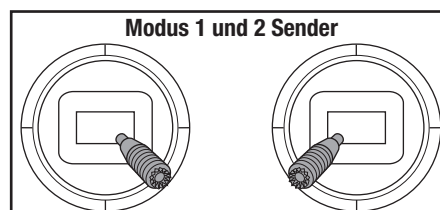
ACHTUNG: Alle Körperteile von Propeller fernhalten und das Fluggerät bei versehentlicher Gasbetätigung sicher festhalten.

Zuweisen eines Schalters

1. Flugzeug zum Aktivieren von SAFE Select korrekt binden. Dadurch kann das System einem Schalter zugewiesen werden.
2. Beide Hebel des Senders in die unteren inneren Ecken halten und den gewünschten Schalter 5-mal (1 Umschalten = vollständig von oben nach unten) hin- und herschalten, um diesen Schalter zuzuweisen. Die Steueroberflächen des Flugzeugs werden sich bewegen und so anzeigen, dass der Schalter ausgewählt wurde.

Falls gewünscht, den Vorgang wiederholen, um einen anderen Schalter zuzuweisen oder den aktuellen Schalter zu deaktivieren.

TIPP: SAFE Select kann jeden nicht verwendeten Kanal 5-9 zugewiesen werden.



Test Richtung der Steuerflächen

Den Sender einschalten und den Akku anschließen. Den Sender zum Steuern der Querruder-, Höhenruder- und Seitenrudersteuerungen verwenden. Beim Prüfen der Steuerungsrichtungen das Fluggerät von hinten ansehen.

Höhenruder

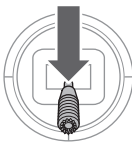
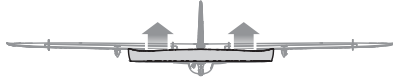


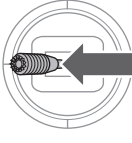
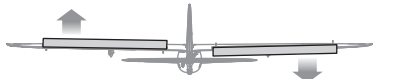
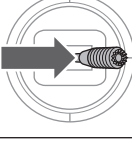
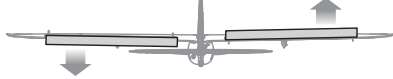
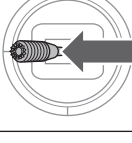
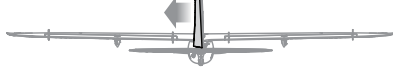
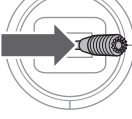
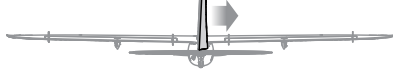
1. Den Höhenruder-Hebel zurückziehen. Die Höhenruder sollten sich nach oben bewegen, sodass das Fluggerät steigt.
2. Den Höhenruder-Hebel nach vorne drücken. Die Höhenruder sollte sich nach unten bewegen, sodass das Fluggerät sinkt.

Querruder

1. Den Querruder-Hebel nach links bewegen. Das linke Querruder sollte sich nach oben und das rechte Querruder nach unten bewegen, sodass sich das Fluggerät nach links neigt.
2. Den Querruder-Hebel nach rechts bewegen. Das rechte Querruder sollte sich nach oben und das linke Querruder nach unten bewegen, sodass sich das Fluggerät nach rechts neigt.

Seitenruder

1. Den Seitenruder-Hebel nach links bewegen. Das Seitenruder sollte sich nach links bewegen, sodass das Flugzeug nach links giert.
2. Den Seitenruder-Hebel nach rechts bewegen. Das Seitenruder sollte sich nach rechts bewegen, sodass das Fluggerät nach rechts giert.

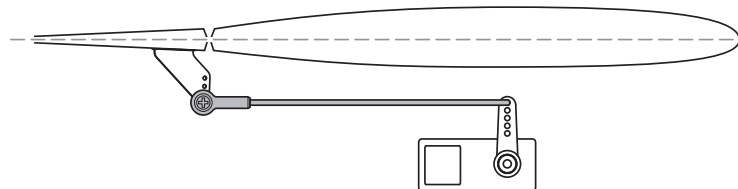
	Sendersteuerung	Reaktion der Steueroberflächen (Rückansicht)
Höhenruder		
		
Querruder		
		
Seitenruder		
		

Zentrieren der Kontrollen

Nach dem Montieren und Einrichten des Senders überprüfen, ob die Steuerflächen zentriert sind. Sind die Steuerflächen nicht zentriert, die Steuerflächen durch Ausrichten des Gestänges mechanisch zentrieren.

Ist ein Ausrichten erforderlich, den Gelenkkopf auf dem Gestänge drehen, um die Länge des Gestänges zwischen dem Servoarm und dem Steuerhorn zu verändern. Für den Ausbau und den Ersatz der Gelenkköpfe wird eine Kugelgelenkzange empfohlen.

Nach dem Binden eines Senders an den Flugzeugempfänger die Trimmungen und Ersatztrimmungen auf 0 einstellen, dann die Gestänge zum Zentrieren der Steueroberflächen anpassen.

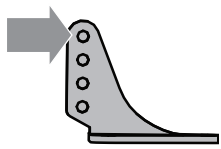
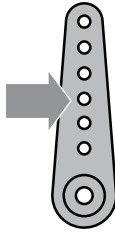
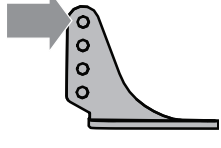
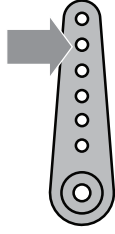
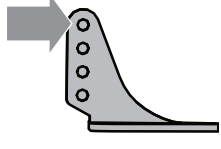
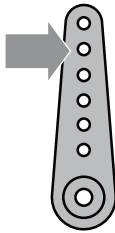


Horn- und Servoarm-Einstellungen

Die Tabelle rechts zeigt die werkseitigen Einstellungen der Steuerhörner und Servoarme. Das Flugzeug auf den Werkseinstellungen fliegen, ehe Änderungen vorgenommen werden.

HINWEIS: Werden die Werkseinstellungen der Steuerausschläge geändert, so müssen ggf. die AR631+-Gewinnwerte angepasst werden. Siehe Spektrum AR631+-Handbuch zum Anpassen der Gewinnwerte.

Nach dem Flug können die Gestängepositionen für die gewünschte Steuerreaktion angepasst werden. Siehe nachfolgende Tabelle.

Werkseinstellungen	Steuerhörner	Servoarme
Querruder		
Höhenruder		
Seitenruder		

Duale Geschwindigkeiten und Ruderausschlag

Den Sender programmieren, um die Geschwindigkeiten und Ruderausschläge entsprechend dem Erfahrungsstand einzurichten. Diese Werte wurden getestet und sind ein guter Ausgangspunkt, um einen erfolgreichen ersten Flug durchzuführen.

Nach dem Flug können die Werte für die gewünschte Steuerreaktion angepasst werden.

	Niedrige Geschwindigkeit	Hohe Geschwindigkeit
Querruder	▲ = 9mm ▼ = 6mm	▲ = 11mm ▼ = 8mm
Höhenruder	▲ = 12mm ▼ = 12mm	▲ = 17mm ▼ = 17mm
Seitenruder	▶ = 25mm ◀ = 25mm	▶ = 32mm ◀ = 32mm

Niederspannungsabschaltung (LVC)

Wird ein LiPo Akku unter 3 Volt pro Zelle entladen kann er keine Spannung mehr halten. Der Regler schützt den Akku vor einer Unterspannung mit der Niederspannungsabschaltung (LVC). Unabhängig von der Gasknüppelstellung wird dann die Leistung reduziert, um einen Absinken der Zellenspannung unter 3 Volt zu verhindern.

Der Motor fängt dann an zu pulsieren und zeigt damit an, dass noch Energie für eine sichere Landung bleibt. Bitte landen Sie sofort wenn der Motor zu pulsieren anfängt und laden den Akku wieder auf.

Trennen Sie nach dem Fliegen immer den Akku vom Empfänger und entfernen ihn aus dem Flugzeug. Laden Sie den Akku auf die halbe Kapazität bevor Sie ihn einlagern. Stellen Sie bitte sicher, dass die Akkuspannung nicht unter 3 Volt pro Zelle fällt. Trennen Sie den Akku nicht wird er tiefentladen.

Stellen Sie für die ersten Flüge die Stopuhr oder den Timer auf ihrer Fernsteuerung auf 4 Minuten ein. Stellen Sie den Timer nach dem ersten Flug länger oder kürzer ein.

HINWEIS: Wiederholtes Fliegen in die Niederspannungsabschaltung beschädigt den Akku.

AS3X+-Kontrolle Lenktest

Dieser Test stellt sicher, dass das AS3X®-Steuersystem ordnungsgemäß funktioniert. Das Flugzeug zusammenbauen und Sender am Empfänger binden, ehe dieser Test durchgeführt wird.

1. Gashebel bis kurz über 25 % heben, dann Gashebel senken, um die AS3X-Technologie zu aktivieren.



ACHTUNG: Alle Körperteile, Haare und locker getragene Kleidung von dem sich drehenden Propeller fernhalten, da sich diese im Propeller verfangen können.

2. Das gesamte Flugzeug wie abgebildet bewegen und sicherstellen, dass sich die Steueroberflächen in die laut der Grafik ausgewiesenen Richtung bewegen. Reagieren die Steueroberflächen nicht wie abgebildet, das Flugzeug nicht fliegen. Siehe Handbuch des Empfängers zu weiteren Informationen.

Die Steueroberflächen können sich schnell bewegen, sobald das AS3X-System aktiv ist. Das ist normal. AS3X bleibt bis zur Trennung des Akkus aktiv.

Aufgrund unterschiedlicher Auswirkungen von Drehmoment, Auftrieb und Luftwiderstand erfordern einige Flugzeuge Trimmänderungen mit unterschiedlichen Geschwindigkeiten und Gaseinstellungen. Mischungen werden vorab in den Empfänger geladen, um diese Änderungen zu kompensieren. Die Mischungen werden aktiv, wenn das Gas zum ersten Mal über 25 % angehoben wird. Die Ruder können bei unterschiedlichen Gaseinstellungen nach dem ersten Anheben des Gases leicht versetzt sein. Das Trimmen des Flugzeugs im Flug sollte mit 80-100% Gas erfolgen, um beste Ergebnisse zu erzielen.

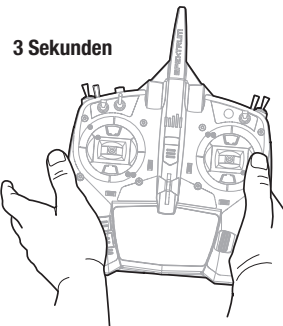
	Flugzeug bewegung	AS3X+ Reaktion
Querruder		
Seitenruder		
Höhenruder		

Trimmung während des Fluges

Trimmen Sie das Flugzeug bei Ihrem ersten Flug für Horizontalflug. Um den Geradeausflug des Flugzeugs zu verbessern, machen Sie kleine Trimmkorrekturen mit den Trimmshaltern Ihres Senders.

Nach erfolgter Einstellung der Trimmung die Steuerknüppel für 3 Sekunden nicht berühren. Dadurch erhält der Empfänger die Informationen über die zur Optimierung der AS3X+-Leistung geeigneten Einstellungen.

Wenn Sie dies nicht tun, kann die Flugleistung beeinträchtigt werden.

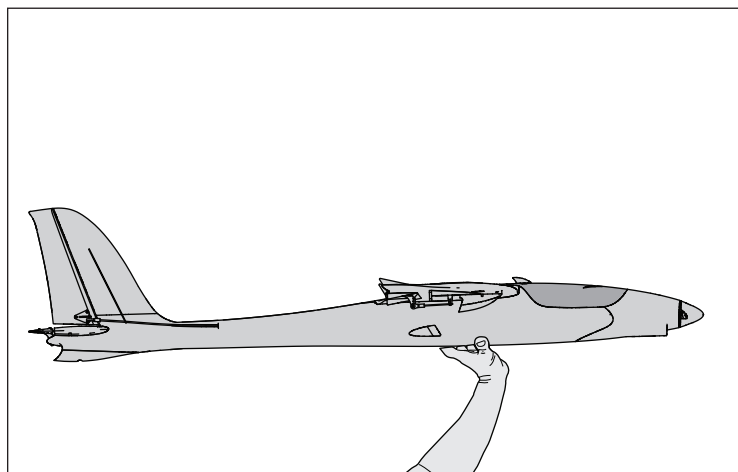


Handstart-Assistenzmodus

Die BNF Basic-Version des ElectroStreak ist mit einem Handstart-Assistenzmodus ausgestattet, der den Stress beim Handstart Ihres Flugzeugs verringert. Das System arbeitet im Hintergrund, um die Tragflächen auszugleichen und das Modell selbst nach einem nicht ganz perfekten Handstart in eine positive Steigfluglage zu bringen.

Aktivierung des Handstart-Assistenzmodus:

1. Sicherstellen, dass SAFE Select aktiviert ist.
2. Das Modell in den Bindungsmodus bringen.
3. Die Gaszufuhr auf über 70 % stellen.
4. Das Modell wie gewohnt von Hand starten. Durch die Beschleunigung beim Werfen des Modells wird automatisch der Assistenzmodus aktiviert, der die Flügel ausrichtet und das Modell in eine positive Steigfluglage bringt.
5. Nach ein paar Sekunden Flugzeit schaltet das System automatisch ab und kehrt in den normalen SAFE-Modus zurück.
6. Das System setzt sich nach der Landung automatisch zurück, wenn die Gaszufuhr unter 5 % reduziert wird und das Modell länger als 5 Sekunden stillsteht.



Flugtipps und Reparaturen

Vor der Wahl des Flugstandorts die örtlichen Gesetze und Verordnungen konsultieren.

Reichweitentest für das Funksystem durchführen

Vor dem Fliegen einen Reichweitentest für das Funksystem durchführen. Siehe spezifisches Handbuch des Senders zu Informationen zum Reichweitentest.

Oszillation

Sobald das AS3X+-System aktiv ist (nach der ersten Zugabe von Gas), reagieren die Steuerflächen auf die Flugzeuggewebungen. Bei einigen Flugbedingungen kann eine Oszillation auftreten (das Flugzeug bewegt sich auf einer Achse aufgrund von Übersteuerung vor und zurück). Tritt Oszillation auf, die Fehlerbehebung zu weiteren Informationen lesen.

Start

Wählen Sie geringe Geschwindigkeiten. Den Rumpf unter den Tragflächen halten und die Gaszufuhr allmählich auf Vollgas erhöhen. Das Flugzeug mit waagerechten Tragflächen in den Wind starten. Das Flugzeug auf die Fluggeschwindigkeit beschleunigen lassen, danach das Höhenruder sanft zurückziehen und auf eine komfortable Höhe steigen.

Fliegen

Immer eine große Freifläche zum Fliegen wählen. Aufgrund der höheren Geschwindigkeiten erfordert dieses Fluggerät im Gegensatz zu den meisten Schaumstoffmodellen mehr Platz zum Fliegen. Das Fliegen auf einem für RC-Flug vorgesehenen Flugfeld ist ideal. Das Fliegen in der Nähe von Häusern, Bäumen, Kabeln und Gebäuden vermeiden. Das Fliegen in Umgebungen mit vielen Menschen, wie belebte Parks, Schulhöfe oder Fußballfelder, sollte ebenfalls vermieden werden.

Landen

Für die ersten paar Flüge mit dem empfohlenen Akkupack (SPMX224S30) den Timer des Senders oder eine Stoppuhr auf 4 Minuten (4:00) einstellen und dann landen. Den Timer nach dem Fliegen des Modells für längere oder kürzere Flüge

anpassen. **Pulsiert der Motor zu irgendeinem Zeitpunkt, das Fluggerät unverzüglich landen, um den Akku des Fluggeräts zu laden.** Siehe Abschnitt zur Niedrigtrennschaltung (LVC) zu weiteren Einzelheiten zur Maximierung von Akku-Leistung und Laufzeit.

Das Fluggerät in den Wind drehen und die Gaszufuhr verringern. Mit dem Gashebel die Sinkgeschwindigkeit während der Landung steuern. Die Tragflächen waagrecht und das Fluggerät im Wind halten. Bei der Annäherung in etwa 1 Meter Höhe die Gaszufuhr verringern und mit dem Abfangen beginnen, indem das Höhenruder zurückgenommen wird. Weiterhin Gegendruck auf das Höhenruder ausüben, um das Fluggerät sanft auf die Landefläche zu bringen.

HINWEIS: Steht ein Absturz unmittelbar bevor, die Gaszufuhr senken und komplett trimmen. Wird dies unterlassen, können zusätzliche Schäden am Flugwerk sowie Schäden am Geschwindigkeitsregler und Motor auftreten.

HINWEIS: Nach einem Absturz immer sicherstellen, dass der Empfänger im Rumpf gesichert ist. Wird der Empfänger ersetzt, den neuen Empfänger in derselben Ausrichtung wie den Originalempfänger montieren, da es ansonsten zu Schäden kommen kann.

HINWEIS: Schäden durch Abstürze werden durch die Garantie nicht gedeckt.

HINWEIS: Das Fluggerät nicht der direkten Sonneneinstrahlung oder heißen, geschlossenen Bereichen, wie einem Fahrzeug, aussetzen, wenn es nicht geflogen wird. Dadurch kann das Fluggerät beschädigt werden.

Nach dem Flug

Den Flug-Akku vom Geschwindigkeitsregler trennen (für die Sicherheit und die Lebensdauer des Akkus erforderlich).

Sender ausschalten.

Den Flug-Akku vom Flugzeug entfernen.

Akku des Fluggeräts auf Speicherspannung aufladen.

Alle beschädigten Teile reparieren oder ersetzen.

Den Flug-Akku getrennt vom Flugzeug lagern und den Akku-Ladezustand überwachen.

Mit Blick auf die Planung zukünftiger Flüge, die Flugbedingungen und Ergebnisse des Flugplans notieren.

Wartung der elektrischen Teile

ACHTUNG: Immer den Flug-Akku trennen, ehe Wartungsarbeiten an einem der Stromversorgungskomponenten durchgeführt werden.

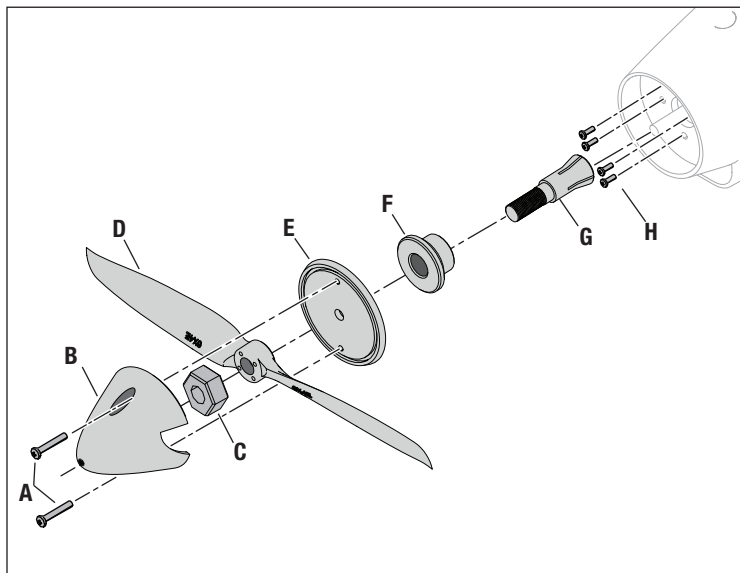
Ausbau

1. Die Kanzelabdeckung entfernen, um Zugang zu allen Komponenten des Stromversorgungssystems zu erhalten.
2. Die beiden M2,5 x 6 mm Maschinenschrauben (Kreuzschlitz) **(A)** und den Spinner **(B)** entfernen.
3. Mit einem Schraubenschlüssel die Spinnermutter **(C)** entfernen, danach den Propeller **(D)**, die Spinnerrückplatte **(E)**, die Nabe **(F)** und die Klemmbuchse **(G)** von der Motorwelle entfernen.
4. Die vier M3 x 6 mm Maschinenschrauben **(H)** und den Motor vom Rumpf entfernen.
5. Den Geschwindigkeitsregler vorsichtig von der Oberseite des Rumpfs schieben.
6. Die Gasleitung vom Empfänger entfernen und den Geschwindigkeitsregler aus dem Rumpf heben und auf die Verlegung der Strom- und Gasleitungen durch den Rumpf achten.

Einbau

Der Einbau erfolgt in umgekehrter Reihenfolge.

- Die Aderfarben der Motordrähte korrekt mit den Drähten des Geschwindigkeitsreglers verbinden.
- Darauf achten, dass kein Draht durch die Stromversorgungskomponenten eingeklemmt wird.
- Sicher stellen, dass der Propeller so montiert wird, dass die eingepprägten Größennummern (8 x 8E) nach vorn zeigen.
- Für den sicheren Betrieb sicherstellen, dass der Spinner vollständig gesichert ist.



AS3X+ Fehlerbehebung

Problem	Mögliche Ursache	Lösung
Schwingungen	Beschädigter Propeller oder Spinner	Ersetzen Sie den Propeller oder Spinner
	Propeller nicht gewuchtet	Wuchten Sie den Propeller
	Motorvibrationen	Ersetzen Sie alle Teile und ziehen Befestigungen wie benötigt an
	Empfänger lose	Richten Sie den Empfänger im Rumpf aus und befestigen Sie ihn
	Lose Komponenten	Befestigen und sichern Sie die Teile (Servo Arm, Gestänge, Servohorn und Ruder)
	Teile verschlissen	Ersetzen Sie abgenutzte Teile (speziell Propeller, Spinner oder Servos)
Inkonsistente Flugleistung	Servoaussetzer	Ersetzen Sie das Servo
	Trimmung ist nicht neutral	Sollten Sie mehr als 8 Klicks benötigen, justieren Sie den Gabelkopf mechanisch
	Sub-Trim ist nicht neutral	Sub-Trim Einstellungen sind NICHT zulässig. Justieren Sie den Arm oder Gabelkopf
Falsche Reaktionen auf die AS3X+ Ruderkontrolle	Flugzeug stand nicht 5 Sekunden vollkommen still nach Anschluss des Akkus	Bringen Sie den Gashebel auf die niedrigste Position. Trennen Sie den Akku, schließen ihn wieder an und lassen das Flugzeug für 5 Sekunden vollkommen still stehen
Falsche Einstellungen in den Empfänger, der kann einen Absturz verursachen	Fliegen Sie NICHT. Korrigieren Sie die Einstellungen (bitte lesen Sie dazu in der Empfängeranleitung nach) und fliegen dann	

Fehlerbehebung

Problem	Mögliche Ursache	Lösung
Das Fluggerät reagiert nicht auf Gaseingaben, aber auf andere Steuerungen	Das Gas befindet sich nicht im Leerlauf, und/oder die Gastrimmung ist zu hoch	Steuerungen mit Gassteuerknüppel und Gastrimmung auf niedrigste Einstellung zurücksetzen
	Gas-Servoweg ist niedriger als 100%	Sicherstellen, das der Gas-Servoweg 100% oder mehr beträgt
	Gaskanal ist reversiert (umgedreht)	Reversieren (drehen) Sie den Gaskanal am Sender
	Motor ist vom Regler getrennt	Stellen Sie sicher dass der Motor am Regler angeschlossen ist.
Zusätzliches Propellergeräusch oder zusätzliche Schwingung	Propeller und Spinner, Aufnahme oder Motor beschädigt	Beschädigte Teile austauschen
	Propeller ist nicht in Balance	Propeller ausbalancieren oder ersetzen
	Rotorschraube ist locker	Rotoschraube festziehen
Verringerte Flugzeit oder untermotorisiertes Fluggerät	Ladestatus des Flugakkus ist niedrig	Flugakku vollständig neu aufladen
	Propeller verkehrt herum montiert	Propeller mit Zahlen nach vorne weisend montieren
	Flugakku beschädigt	Flugakku austauschen und Anweisungen des Flugakkus befolgen
	Flugbedingungen können zu kalt sein	Sicherstellen, dass Akku vor Verwendung warm ist
	Akkukapazität zu gering für die Flugbedingungen	Ersetzen Sie den Akku mit einem größerer Kapazität
Das Fluggerät lässt sich (während der Bindung) nicht an den Sender binden	Sender steht während des Bindens zu nah am Empfänger	Stellen Sie den Sender etwas weiter vom Empfänger weg Trennen Sie den Flugakku und schließen ihn erneut an
	Fluggerät oder Sender sind zu nahe an einem großen Metallgegenstand	Stellen Sie den Sender weiter weg von den großen metallischen Objekten
	Der Bindestecker steckt nicht ordnungsgemäß im Bindeanschluss	Bindestecker in den Bindeanschluss stecken und Fluggerät an den Sender binden
	Ladestatus des Flugakkus/der Senderbatterie zu gering	Den Flugakku bzw. die Batterie neu aufladen bzw. austauschen
	Bindeschalter oder Knopf wurde während des Bindevorganges nicht lang genug gedrückt gehalten	Schalten Sie den Sender aus und wiederholen den Bindevorgang. Halten Sie den Senderbindebutton / Schalter gedrückt bis der Empfängergebunden ist
Das Fluggerät lässt sich (nach der Bindung) nicht mit dem Sender verbinden	Der Sender ist während des Verbindungsvorgangs zu nahe am Fluggerät	Den eingeschalteten Sender ein paar Fuß vom Fluggerät bewegen, Flugakku vom Flugzeug abklemmen und wieder anschließen
	Fluggerät oder Sender sind zu nahe an einem großen Metallgegenstand	Stellen Sie den Sender weiter weg von den großen metallischen Objekten
	Bindestecker blieb im Bindeanschluss stecken	Sender neu mit Flugzeug binden, und Bindestecker vor dem Einschalten abziehen
	Flugzeug an Speicher von anderem Modell gebunden (nur Model Match Sender)	Richtigen Modellspeicher auf dem Sender wählen
	Ladestatus des Flugakkus/der Senderbatterie zu gering	Den Flugakku bzw. die Batterie neu aufladen bzw. austauschen
	Der Sender wurde möglicherweise an ein anderes Modell gebunden (oder mit anderem DSM-Protokoll)	Binden Sie das Fluggerät an den Sender
Ruder bewegt sich nicht	Beschädigung von Ruder, Stellruderhorn, Anlenkgestänge oder Servo	Beschädigte Teile austauschen oder reparieren und Steuerungen anpassen
	Gestänge beschädigt oder Verbindungen locker	Richtiges Modell neu an den Sender binden oder im Sender wählen
	Sender ist nicht ordnungsgemäß gebunden, oder das falsche Modell wurde gewählt	Richtiges Modell neu an den Sender binden oder im Sender wählen
	Akkuladung ist zu niedrig	Laden Sie den Flugakku vollständig
	Empfängerstromversorgung (BEC) des Reglers ist beschädigt	Ersetzen Sie den Regler
Steuerung reversiert	Sendereinstellungen sind umgekehrt	Steuerrichtungstest durchführen, und die Steuerungen auf dem Sender geeignet anpassen

Ersatzteile

Teilenummer	Beschreibung
EFL1335001	Rumpf: ElectroStreak 1.1m
EFL1335002	Tragfläche: ElectroStreak 1.1m
EFL1335003	Stabilisator: ElectroStreak 1.1m
EFL1335004	Abdeckung: ElectroStreak 1.1m
EFL1335005	Spinner: ElectroStreak 1.1m
EFL1335006	Hardwaresatz: ElectroStreak 1.1m
EFL1335007	Gestängesatz: ElectroStreak 1.1m
EFL1335008	Servoarm-Satz: ElectroStreak 1.1m

Teilenummer	Beschreibung
EFL1335009	Propelleradapter: ElectroStreak 1.1m
APC08080E	Propeller 8 x 8E
SPMSA111	Servo A111 13g MG; Seitenruder und Höhenruder: ElectroStreak 1.1m
SPMSA112	Servo A112 13g MG; Querruder: ElectroStreak 1.1m
SPMXAE45D	Avian 45A Smart Lite Bürstenloser Geschwindigkeitsregler
SPMXAM4200	3542-1000 Kv bürstenloser Außenläufermotor, 14-polig
SPM-1031	AR631+ Empfänger

Empfohlene Ergänzungen

Teilenummer	Beschreibung
SPMR7110	Nur NX7e+ 7-Kanal DSMX Sender
SPMX224S30	14,8 V 2200 mAh 4S 30C Smart G2 LiPo-Akku: IC3

Teilenummer	Beschreibung
SPMXC2020	Smart S1200 G2 AC Ladegerät 1x200 W

Optionale Teile

Teilenummer	Beschreibung
SPMR8210	Nur NX8+-DSMX-Sender mit 8 Kanälen
SPMX223S30	11,1 V 2200 mAh 3S 30C Smart LiPo-Akku: IC3
SPMX22003S30	11,1 V 2200 mAh 3S 30C Smart LiPo-Akku: IC3
SPMX22004S30	14,8 V 2200 mAh 4S 30C Smart LiPo-Akku: IC3

Teilenummer	Beschreibung
SPMXBC100	XBC100 Smart LiPo-Akkuprüfer & Servotreiber
SPMXC2040	S1400 G2 AC 1x400W Smart Ladegerät
SPMXC2010	S2200 G2 AC 2x200W Smart Ladegerät
BLH100	Deluxe Kugelgelenkzange

Hardware-Liste

Standort	Beschreibung	Menge
Tragfläche; vordere Schraube	M4 x 28 mm Kreuzschlitz-Maschinenschraube	1
Tragfläche; hintere Schraube	M4 x 20 mm Kreuzschlitz-Maschinenschraube	1
Motorschrauben	M3 x 6 mm Kreuzschlitz-Maschinenschraube	4
Höhenleitwerkschraube	M4 x 32 mm Kreuzschlitz-Maschinenschraube	1
Motorbefestigungsschrauben	2 x 10 mm Kreuzschlitz-Maschinenschraube	4
Kugelgelenkmuttern	M2	6
Kugelgelenkschrauben	M2 x 10 mm Kreuzschlitz-Maschinenschraube	4
Propellermutter	M6	1
Propeller-Unterlegscheibe	M6 Unterlegscheibe	1
Flügel- und Leitwerksmuttern	M4	3
Spinnerschrauben	M2,5 x 4 mm	2

Haftungsbeschränkung

Warnung—Ein ferngesteuertes Modell ist kein Spielzeug. Es kann, wenn es falsch eingesetzt wird, zu erheblichen Verletzungen bei Lebewesen und Beschädigungen an Sachgütern führen. Betreiben Sie Ihr RC-Modell nur auf freien Plätzen und beachten Sie alle Hinweise der Bedienungsanleitung des Modells wie auch der Fernsteuerung.

Garantiezeitraum—Exklusive Garantie Horizon Hobby LLC (Horizon) garantiert, dass das gekaufte Produkt frei von Material- und Montagefehlern ist. Der Garantiezeitraum entspricht den gesetzlichen Bestimmungen des Landes, in dem das Produkt erworben wurde. In Deutschland beträgt der Garantiezeitraum 6 Monate und der Gewährleistungszeitraum 18 Monate nach dem Garantiezeitraum.

Einschränkungen der Garantie—(a) Die Garantie wird nur dem Erstkäufer (Käufer) gewährt und kann nicht übertragen werden. Der Anspruch des Käufers besteht in der Reparatur oder dem Tausch im Rahmen dieser Garantie. Die Garantie erstreckt sich ausschließlich auf Produkte, die bei einem autorisierten Horizon Händler erworben wurden. Verkäufe an Dritte werden von dieser Garantie nicht gedeckt. Garantieansprüche werden nur angenommen, wenn ein gültiger Kaufnachweis erbracht wird. Horizon behält sich das Recht vor, diese Garantiebestimmungen ohne Ankündigung zu ändern oder modifizieren und widerruft dann bestehende Garantiebestimmungen.

(b) Horizon übernimmt keine Garantie für die Verkaufbarkeit des Produktes, die Fähigkeit und die Fitness des Verbrauchers für einen bestimmten Einsatzzweck des Produktes. Der Käufer allein ist dafür verantwortlich, zu prüfen, ob das Produkt seinen Fähigkeiten und dem vorgesehenen Einsatzzweck entspricht.

(c) Ansprüche des Käufers — Es liegt ausschließlich im Ermessen von Horizon, ob das Produkt, bei dem ein Garantiefall festgestellt wurde, repariert oder ausgetauscht wird. Dies sind die exklusiven Ansprüche des Käufers, wenn ein Defekt festgestellt wird. Horizon behält sich vor, alle eingesetzten Komponenten zu prüfen, die in den Garantiefall einbezogen werden können. Die Entscheidung zur Reparatur oder zum Austausch liegt nur bei Horizon. Die Garantie schließt kosmetische Defekte oder Defekte, hervorgerufen durch höhere Gewalt, falsche Behandlung des Produktes, falscher Einsatz des Produktes, kommerziellen Einsatz oder Modifikationen irgendwelcher Art aus.

Die Garantie schließt Schäden, die durch falschen Einbau, falsche Handhabung, Unfälle, Betrieb, Service oder Reparaturversuche, die nicht von Horizon ausgeführt wurden aus. Ausgeschlossen sind auch Fälle, die bedingt durch (vii) eine Nutzung sind, die gegen geltendes Recht, Gesetze oder Regularien verstoßen haben. Rücksendungen durch den Käufer direkt an Horizon oder eine seiner Landesvertretungen bedürfen der Schriftform.

Schadensbeschränkung—Horizon ist nicht für direkte oder indirekte Folgeschäden, Einkommensausfälle oder kommerzielle Verluste, die in irgendeinem Zusammenhang mit dem Produkt stehen verantwortlich, unabhängig ab ein Anspruch im Zusammenhang mit einem Vertrag, der Garantie oder der Gewährleistung erhoben werden. Horizon wird darüber hinaus keine Ansprüche aus einem Garantiefall akzeptieren, die über den individuellen Wert des Produktes hinaus gehen. Horizon hat keinen Einfluss auf den Einbau, die Verwendung oder die Wartung des Produktes oder etwaiger Produktkombinationen, die vom Käufer gewählt werden. Horizon übernimmt keine Garantie und akzeptiert keine Ansprüche für in der Folge auftretende Verletzungen oder Beschädigungen. Mit der Verwendung und dem Einbau des Produktes akzeptiert der Käufer alle aufgeführten Garantiebestimmungen ohne Einschränkungen und Vorbehalte.

Wenn Sie als Käufer nicht bereit sind, diese Bestimmungen im Zusammenhang mit der Benutzung des Produktes zu akzeptieren, werden Sie gebeten, das Produkt in unbenutztem Zustand in der Originalverpackung vollständig bei dem Verkäufer zurückzugeben.

Sicherheitshinweise—Dieses ist ein hochwertiges Hobby Produkt und kein Spielzeug. Es muss mit Vorsicht und Umsicht eingesetzt werden und erfordert einige mechanische wie auch mentale Fähigkeiten. Ein Versagen, das Produkt sicher und umsichtig zu betreiben kann zu Verletzungen von Lebewesen und Sachbeschädigungen erheblichen Ausmaßes führen. Dieses Produkt ist nicht für den Gebrauch durch Kinder ohne die Aufsicht eines Erziehungsberechtigten vorgesehen. Die Anleitung enthält Sicherheitshinweise und Vorschriften sowie Hinweise für die Wartung und den Betrieb des Produktes. Es ist unabdingbar, diese Hinweise vor der ersten Inbetriebnahme zu lesen und zu verstehen. Nur so kann der falsche Umgang verhindert und Unfälle mit Verletzungen und Beschädigungen vermieden werden.

Fragen, Hilfe und Reparaturen—Ihr lokaler Fachhändler und die Verkaufsstelle können eine Garantiebeurteilung ohne Rücksprache mit Horizon nicht durchführen. Dies gilt auch für Garantiereparaturen. Deshalb kontaktieren Sie in einem solchen Fall den Händler, der sich mit Horizon kurz schließen wird, um eine sachgerechte Entscheidung zu fällen, die Ihnen schnellst möglich hilft.

Wartung und Reparatur—Muss Ihr Produkt gewartet oder repariert werden, wenden Sie sich entweder an Ihren Fachhändler oder direkt an Horizon. Rücksendungen / Reparaturen werden nur mit einer von Horizon vergebenen RMA Nummer bearbeitet. Diese Nummer erhalten Sie oder Ihr Fachhändler vom technischen Service. Mehr Informationen dazu erhalten Sie im Serviceportal unter www.horizonhobby.de oder telefonisch bei dem technischen Service von Horizon.

Packen Sie das Produkt sorgfältig ein. Beachten Sie, dass der Originalkarton in der Regel nicht ausreicht, um beim Versand nicht beschädigt zu werden. Verwenden Sie einen Paketdienstleister mit einer Tracking Funktion und Versicherung, da Horizon bis zur Annahme keine Verantwortung für den Versand des Produktes übernimmt. Bitte legen Sie dem Produkt einen Kaufbeleg bei, sowie eine ausführliche Fehlerbeschreibung und eine Liste aller eingesendeten Einzelkomponenten. Weiterhin benötigen wir die vollständige Adresse, eine Telefonnummer für Rückfragen, sowie eine Email Adresse.

Garantie und Reparaturen—Garantieanfragen werden nur bearbeitet, wenn ein Originalkaufbeleg von einem autorisierten Fachhändler beiliegt, aus dem der Käufer und das Kaufdatum hervorgeht. Sollte sich ein Garantiefall bestätigen wird das Produkt repariert oder ersetzt. Diese Entscheidung obliegt einzig Horizon Hobby.

Kostenpflichtige Reparaturen—Liegt eine kostenpflichtige Reparatur vor, erstellen wir einen Kostenvoranschlag, den wir Ihrem Händler übermitteln. Die Reparatur wird erst vorgenommen, wenn wir die Freigabe des Händlers erhalten. Der Preis für die Reparatur ist bei Ihrem Händler zu entrichten. Bei kostenpflichtigen Reparaturen werden mindestens 30 Minuten Werkstattzeit und die Rückversandkosten in Rechnung gestellt. Sollten wir nach 90 Tagen keine Einverständniserklärung zur Reparatur vorliegen haben, behalten wir uns vor, das Produkt zu vernichten oder anderweitig zu verwerten.

ACHTUNG: Kostenpflichtige Reparaturen nehmen wir nur für Elektronik und Motoren vor. Mechanische Reparaturen, besonders bei Hubschraubern und RC-Cars sind extrem aufwendig und müssen deshalb vom Käufer selbst vorgenommen werden.

10/15

Kontaktinformationen zu Garantie und Service

Land des Kauf	Horizon Hobby	Telefon/E-mail Adresse	Adresse
Europäische Union	Horizon Technischer Service Sales: Horizon Hobby GmbH	service@horizonhobby.de +49 (0) 4121 2655 100	Hanskampring 9 D 22885 Barsbüttel, Germany

Konformitätshinweise für die Europäische Union



EU Konformitätserklärung

EFL ElectroStreak PNP (EFL13375): Horizon LLC erklärt hiermit, dass dieses Produkt konform zu den essentiellen Anforderungen der RED und EMC Direktive ist, RoHS 2-Richtlinie 2011/65 / EU, RoHS 3-Richtlinie - Änderung 2011/65 / EU-Anhang II 2015/863.

EFL ElectroStreak BNF-Basic (EFL13350) Hiermit erklärt Horizon Hobby, LLC, dass das Gerät den folgenden Richtlinien entspricht: EU-Richtlinie über elektromagnetische Verträglichkeit 2014/30/EU, RoHS 2-Richtlinie 2011/65 / EU, RoHS 3-Richtlinie - Änderung 2011/65 / EU-Anhang II 2015/863

Der vollständige Text der EU-Konformitätserklärung ist unter folgender Internetadresse abrufbar: <https://www.horizonhobby.com/content/supportrender-compliance>.

Wireless-Frequenzbereich und Wireless-Ausgangsleistung:

2404-2476MHz
5.58dBm

Eingetragener EU-Hersteller:

Horizon Hobby, LLC
2904 Research Road
Champaign, IL 61822 USA

Eingetragener EU-Importeur:

Horizon Hobby, GmbH
Hanskampring 9
22885 Barsbüttel Germany

WEEE-HINWEIS:



Dieses Gerät ist gemäß der Europäischen Richtlinie 2012/19/EU über Elektro- und Elektronik-Altgeräte (WEEE) gekennzeichnet. Dieses Symbol weist darauf hin, dass dieses Produkt kein normaler Haushaltsabfall ist, sondern in einer entsprechenden Sammelstelle für Elektro- und Elektronik-Altgeräte entsorgt werden muss.

REMARQUE

Toutes les instructions, garanties et autres documents de garantie sont sujets à la seule discrétion de Horizon Hobby, LLC. Veuillez, pour une littérature produits bien à jour, visiter www.horizonhobby.com ou www.towerhobbies.com et cliquer sur l'onglet de support de ce produit.


SIGNIFICATION DE CERTAINS TERMES SPÉCIFIQUES

Les termes suivants sont utilisés dans l'ensemble du manuel pour indiquer différents niveaux de danger lors de l'utilisation de ce produit :

AVERTISSEMENT : Procédures qui, si elles ne sont pas suivies correctement, peuvent entraîner des dégâts matériels et des blessures graves OU engendrer une probabilité élevée de blessure superficielle.

ATTENTION : Procédures qui, si elles ne sont pas suivies correctement, peuvent entraîner des dégâts matériels ET des blessures graves.

REMARQUE : Procédures qui, si elles ne sont pas suivies correctement, peuvent entraîner des dégâts matériels ET éventuellement un faible risque de blessures.


 **AVERTISSEMENT** : Lisez la TOTALITÉ du manuel d'utilisation afin de vous familiariser avec les caractéristiques du produit avant de le faire fonctionner. Une utilisation incorrecte du produit peut entraîner sa détérioration, ainsi que des risques de dégâts matériels, voire de blessures graves. Ceci est un produit de loisirs sophistiqué. Il doit être manipulé avec prudence et bon sens et requiert des aptitudes de base en mécanique. Toute utilisation irresponsable de ce produit ne respectant pas les principes de sécurité peut provoquer des blessures, entraîner des dégâts matériels et endommager le produit. Ce produit n'est pas destiné à être utilisé par des enfants sans la surveillance directe d'un adulte. N'essayez pas de démonter le produit, de l'utiliser avec des composants incompatibles ou d'en améliorer les performances sans l'accord d'Horizon Hobby, LLC. Ce manuel comporte des instructions relatives à la sécurité, au fonctionnement et à l'entretien. Il est capital de lire et de respecter la totalité des instructions et avertissements du manuel avant l'assemblage, le réglage et l'utilisation, ceci afin de manipuler correctement l'appareil et d'éviter tout dégât matériel ou toute blessure grave.

14 ans et plus. Ceci n'est pas un jouet.

Précautions et Avertissements Liés à la Sécurité

En tant qu'utilisateur de ce produit, il est de votre seule responsabilité de le faire fonctionner d'une manière qui ne mette en danger ni votre personne, ni de tiers et qui ne provoque pas de dommages au produit lui-même ou à la propriété d'autrui.

- Gardez une bonne distance de sécurité tout autour de votre modèle, afin d'éviter les collisions ou les blessures. Ce modèle est contrôlé par un signal radio, qui peut être soumis à des interférences provenant de nombreuses sources hors de votre contrôle. Une interférence peut provoquer une perte momentanée de contrôle.
- Faites toujours fonctionner votre modèle dans une zone dégagée, à l'écart de voitures, du trafic et des personnes.
- Respectez toujours scrupuleusement les instructions et les mises en garde concernant ce produit et tous les équipements optionnels/complémentaires (chargeurs, batteries rechargeables, etc.) que vous utilisez.
- Tenez tous les produits chimiques, les petites pièces et les composants électroniques hors de portée des enfants.
- Évitez toujours d'exposer à l'eau tout équipement non spécifiquement conçu et protégé à cet effet. L'humidité endommage les composants électroniques.
- Ne léchez et ne mettez jamais en bouche quelque partie de votre modèle que ce soit - risque de blessures graves voire danger de mort.
- Ne faites jamais fonctionner votre modèle lorsque les batteries de l'émetteur sont faibles.
- Gardez toujours le modèle à vue et gardez-en toujours le contrôle.
- Utilisez toujours des batteries complètement chargées.
- Gardez toujours l'émetteur sous tension lorsque le modèle est en marche.
- Enlevez toujours les batteries avant le démontage.
- Veillez toujours à ce que les pièces en mouvement soient propres.
- Veillez toujours à ce que toutes les pièces soient sèches.
- Laissez toujours le temps aux pièces de refroidir avant de les toucher.
- Enlevez toujours les batteries après utilisation.
- Assurez-vous toujours que la sécurité (failsafe) est configurée correctement avant de voler.
- Ne faites jamais voler un modèle dont le câblage est endommagé.
- Ne touchez jamais des pièces en mouvement.

 **AVERTISSEMENT CONTRE LES PRODUITS CONTREFAITS**: Si un jour vous aviez besoin de remplacer un récepteur Spektrum équipant un produit Horizon Hobby, achetez-le uniquement chez Horizon Hobby, LLC ou chez un revendeur officiel Horizon Hobby, vous serez sûr d'obtenir un produit Spektrum authentique de haute qualité. Horizon Hobby, LLC décline tout service et garantie concernant la compatibilité et les performances des produits contrefaits ou des produits clamant la compatibilité avec la technologie Spektrum ou le DSM.

Enregistrement

Enregistrez votre produit aujourd'hui pour faire partie de notre liste de diffusion et recevoir les dernières mises à jour concernant les produits, offres et informations sur E-flite.



Table des Matières

Technologie SAFE Select (<i>BNF Basic</i>).....	43
Configuration automatique de l'émetteur.....	43
Configuration de l'émetteur.....	44
Assemblage du modèle.....	45
Installation du récepteur : PNP.....	47
Centre de gravité (CG).....	47
Installation de la batterie et armement du variateur ESC.....	48
Conseils généraux pour l'affectation et sécurité intégrée.....	49
Affectation de l'émetteur et du récepteur / Activation et désactivation de SAFE Select.....	49
Test de direction des gouvernes.....	51
Centrage des surfaces de commande.....	51
Réglages aux guignols et aux palonniers de servos.....	52
Doubles débattements et contrôle.....	52
Coupage par tension faible (LVC).....	52
Essai de la réponse de l'AS3X+.....	53
Réglage des trims en vol.....	53
Mode d'assistance au décollage à la main.....	54
Conseils de vol et réparations.....	54
Centrage des surfaces de commande.....	55
Entretien des composants de puissance.....	55
Guide de dépannage AS3X+.....	56
Guide de dépannage.....	56
Guide de dépannage.....	57
Articles complémentaires recommandés.....	57
Pièces facultatives.....	57
Liste du matériel.....	57
Garantie et réparations.....	58
Informations de contact du service et de la garantie.....	58
Informations IC.....	59
Informations de conformité pour l'Union européenne.....	59

Spécifications

Envergure d'aile	1100 mm
Longueur	938 mm
Poids	Sans batterie : 885 g Avec la batterie 4S 2 200 mAh recommandée : 1118 g

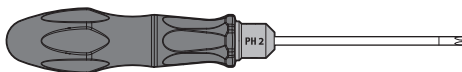
Équipement inclus

Récepteur	Récepteur SAFE et AS3X+ 6 canaux DSMX AR631+ (SPM-1031) (BNF uniquement)
Variateur ESC	Variateur ESC Avian™ sans balais 45 A Smart Lite, 3S-6S avec connecteur IC3 (SPMXAE45D)
Moteur	Moteur à cage tournante sans balais, 14 pôles 3 542-1 000 kV (SPMXAM4200)
Servos	(2) Gouverne de profondeur et gouverne de direction : Servo à engrenages métalliques 13 g A111 (SPMSA111) (2) Aileron : Servo à engrenages métalliques 13 g A112 (SPMSA112)

Matériel nécessaire

Émetteur	6 canaux 2,4 GHz pleine portée avec technologie Spektrum DSM2/DSMX®
Batterie	Li-Po 30C 1 800-2 200 mAh 14,8 V 3S-4S avec connecteur EC3™ ou IC3®
Chargeur de batterie	Chargeur à équilibrage pour batterie Li-Po à 4 cellules
Récepteur	5+ canaux (AR631+ recommandé) (PNP uniquement)

Outils nécessaires



- Tournevis cruciforme (PH n° 2)

Technologie SAFE Select (BNF Basic)

La version BNF Basic de cet avion intègre la technologie SAFE Select, qui peut offrir un niveau de protection supplémentaire en vol. Utilisez les instructions suivantes pour activer le système SAFE Select et l'affecter à un commutateur. Lorsque cette option est activée, SAFE Select empêche l'avion de bouger ou de tanguer au-delà de limites prédéterminées, et un auto-nivellement automatique garde l'avion en vol droit et horizontal lorsque les ailerons, les élévateurs et les gouvernes sont au point mort.

SAFE Select est activé ou désactivé pendant le processus de liaison. Lorsque l'avion est lié avec l'option SAFE Select activée, un commutateur peut être affecté pour basculer entre le mode SAFE Select et le mode AS3X+. La technologie AS3X+ reste active sans limite bancaire ni auto-nivellement chaque fois que SAFE Select

est désactivé ou désactivé.;

- SAFE Select Off: Always in AS3X+ mode
- SAFE Select On with no switch assigned: Always in SAFE Select mode
- SAFE Select On with a switch assigned: Switch toggles between SAFE Select mode and AS3X+ mode

Configuration automatique de l'émetteur

Le récepteur AR631+, fourni avec votre ElectroStreak, est programmé avec une toute nouvelle version d'AS3X+/SAFE. Cela comprend un fichier d'émetteur intelligent spécifiquement configuré pour l'ElectroStreak. Vous pouvez ainsi importer rapidement les paramètres de votre émetteur, directement à partir de votre récepteur, pendant le processus d'affectation.

Transmetteurs pris en charge et exigences en matière de micrologiciels :

- Tous les émetteurs NX (avec la version de micrologiciel 4.0.11+)
- iX14 (avec la version d'application 2.0.9+)
- iX20 (avec la version d'application 2.0.9+)

Important : les émetteurs iX12 et DX ne prennent pas en charge les transferts de fichiers d'émetteur intelligent pour le moment.

Pour charger les fichiers d'émetteur intelligent :

1. Allumez l'émetteur.
2. Créez un nouveau fichier de modèle vide sur votre émetteur.
3. Allumez le récepteur.
4. Appuyez sur le bouton d'affectation sur le récepteur.
5. Mettez l'émetteur en mode Affectation. Le modèle est affecté normalement.
6. Une fois l'affectation terminée, l'écran de téléchargement s'affiche comme illustré à droite.
7. Sélectionnez **CHARGER** pour continuer.

L'écran REMARQUE, tel qu'illustré à droite, indique que le téléchargement va écraser toutes les informations du modèle actuel. S'il s'agit d'un nouveau modèle, les paramètres de l'émetteur de l'ElectroStreak seront simplement enregistrés dans le modèle sélectionné et celui-ci sera renommé ElectroStreak.

REMARQUE : la confirmation annulera les configurations de l'émetteur précédemment enregistrées.

8. Appuyez sur CONFIRMER pour continuer.
9. Une fois le téléchargement terminé, le fichier sera installé sur votre émetteur et les informations télémétriques seront chargées automatiquement.

Une fois le chargement terminé, la radio reviendra à l'écran d'accueil et « ElectroStreak BNF-B EFL13350 » s'affichera.

La configuration de l'émetteur est maintenant terminée et vous êtes prêt à faire voler votre appareil.

Minuteur de vol

Aucun minuteur de vol n'est chargé dans le fichier de configuration de l'émetteur. Le moniteur de tension émet des alertes lorsque la tension de la batterie chute jusqu'à une valeur juste au-dessus de la LVC, ce qui indique qu'il est temps d'atterrir. Ce système ne fonctionne qu'avec des batteries Smart. Si vous n'utilisez pas de batterie Smart, réglez votre minuteur de vol afin de surveiller votre temps de vol.

Fichier d'émetteur intelligent

Le récepteur contient un fichier d'émetteur intelligent préchargé.

Version du récepteur : EFL13350

« Version de micrologiciel »

Voulez-vous charger le fichier à partir du récepteur ?

IGNORER

CHARGER

REMARQUE

Cette opération écrasera TOUS les réglages actuels du modèle.

Si le matériel du modèle BNF de base a changé, il est possible que le fichier du récepteur ne fonctionne pas correctement. Ne l'utilisez pas sans avoir tout vérifié.

Voulez-vous charger le fichier à partir du récepteur ?

RETOUR

CONFIRMER

Configuration de l'émetteur

IMPORTANT : après avoir configuré votre modèle, réaffectez toujours l'émetteur et le récepteur pour régler les positions de sécurité intégrée souhaitées.

Lors du premier vol, réglez le minuteur de vol sur 4 minutes lorsque vous utilisez une batterie 4S 2 200 mAh. Ajustez le temps après le premier vol.

Paramètres de télémétrie	
Rx V / Min. Rx V	4.2V
ESC Smart / Alarme de tension faible	3.4V
Batterie Smart / Volts de démarrage minimum	4.0V
Nombre de pôles du moteur	14

Configuration d'un émetteur de la série NX

1. Mettez l'émetteur en marche, cliquez sur la molette, allez à **System Setup (Configuration du système)** et cliquez sur la molette. Sélectionnez **YES (OUI)**.
2. Allez à **Model Select (Sélectionner un modèle)** et choisissez **Add New Model (Ajouter un nouveau modèle)** au bas de la liste. Sélectionnez **Airplane Model Type (Type de modèle d'avion)** en choisissant l'image de l'avion, sélectionnez **Create (Créer)**.
3. Paramétrez le **Model Name (Nom du modèle)** : entrez un nom pour votre fichier de modèle.
4. Allez à **Aircraft Type (Type d'appareil)** et faites défiler jusqu'à la sélection de l'aile, sélectionnez **Wing (Aile) : 1 Ail Tail (Queue) : Normal**
5. Sélectionnez **Main Screen (Écran principal)**, cliquez sur la molette pour entrer dans la **Function List (Liste des fonctions)**.
6. Rendez-vous dans le menu **D/R (Dual Rate) and Expo (Double débattement et expo)** pour paramétrer le double débattement et l'expo.
7. Paramétrez **Rates and Expo (Débattements et expo) : Aileron**
Paramétrez **Switch (Commutateur) : Switch F (Commutateur F)**
Paramétrez **High Rates (Grands débattements) : 100 %, Expo 10 % – Low Rates (Faibles débattements) : 70 %, Expo 5 %**
8. Paramétrez **Rates and Expo (Débattements et expo) : Elevator (Gouverne de profondeur)**
Paramétrez **Switch (Commutateur) : Switch C (Commutateur C)**
High Rates (Grands débattements) : 100 %, Expo 10 % – Low Rates (Faibles débattements) 70 %, Expo 5 %
9. Paramétrez **Dual Rates and Expo (Doubles débattements et expo) : Rudder (Gouverne de direction)**
Paramétrez **Switch (Commutateur) : Switch G (Commutateur G)**
High Rates (Grands débattements) : 100%, Expo 10% – Low Rates (Faibles débattements): 70%, Expo 5%
10. Paramétrez **Throttle Cut (Coupure des gaz) ; Switch (Commutateur) : Switch H (Commutateur H), Position : -100 %**

Double débattement

Essayez vos premiers vols en petit débattement. Pour les atterrissages, utilisez la gouverne de profondeur avec un grand débattement.

REMARQUE : pour vous assurer que la technologie AS3X+ fonctionne correctement, ne diminuez pas les valeurs de débattement en dessous de 50 %. Si vous souhaitez moins de déviation de contrôle, ajustez manuellement la position des barres de liaison sur le bras de servo.

REMARQUE : si vous constatez une oscillation à grande vitesse, consultez le guide de dépannage pour obtenir de plus amples informations.

Exponentiel

Après les premiers vols, vous pouvez ajuster l'exponentiel sur votre émetteur.

Configuration d'un émetteur de la série DX

1. Mettez l'émetteur en marche, cliquez sur la molette, allez à **System Setup (Configuration du système)** et cliquez sur la molette. Sélectionnez **YES (OUI)**.
2. Allez à **Model Select (Sélectionner un modèle)** et choisissez **Add New Model (Ajouter un nouveau modèle)** au bas de la liste. Le système demande si vous souhaitez créer un nouveau modèle, sélectionnez **Create (Créer)**.
3. Paramétrez le **Model Type (Type de modèle)** : Sélectionnez le **Airplane Model Type (Type de modèle d'avion)** en choisissant l'avion. Le système vous demande de confirmer le type de modèle, les données seront réinitialisées. Sélectionnez **YES (OUI)**.
4. Paramétrez le **Model Name (Nom du modèle)** : entrez un nom pour votre fichier de modèle.
5. Allez à **Aircraft Type (Type d'appareil)** et faites défiler jusqu'à la sélection de l'aile, sélectionnez **Wing (Aile) : 1 Ail Tail (Queue) : Normal**
6. Sélectionnez **Main Screen (Écran principal)**, cliquez sur la molette pour entrer dans la **Function List (Liste des fonctions)**.
7. Paramétrez **D/R (Dual Rate) and Expo (Double débattement et expo) : Aileron**
Paramétrez **Switch (Commutateur) : Switch F (Commutateur F)**
Paramétrez **High Rates (Grands débattements) : 100 %, Expo 10 % – Low Rates (Faibles débattements) : 70 %, Expo 5 %**
8. Paramétrez **D/R (Dual Rate) and Expo (Double débattement et expo) : Elevator (Gouverne de profondeur)**
Paramétrez **Switch (Commutateur) : Switch C (Commutateur C)**
High Rates (Grands débattements) : 100 %, Expo 10 % – Low Rates (Faibles débattements) 70 %, Expo 5 %
9. Paramétrez **Dual Rates and Expo (Doubles débattements et expo) : Rudder (Gouverne de direction)**
Paramétrez **Switch (Commutateur) : Switch G (Commutateur G)**
High Rates (Grands débattements) : 100%, Expo 10% – Low Rates (Faibles débattements): 70%, Expo 5%
10. Paramétrez **Throttle Cut (Coupure des gaz) ; Switch (Commutateur) : Switch H (Commutateur H), Position : -100 %**

Configuration d'un émetteur de la série iX

1. Mettez l'émetteur en marche et commencez dès que l'application Spektrum Airware est ouverte. Sélectionnez l'icône du crayon orange dans le coin supérieur gauche de l'écran, le système demande l'autorisation de **Turn Off RF (Désactiver la RF)**, sélectionnez **PROCEED (POURSUIVRE)**.
2. Sélectionnez les trois points en haut à droite de l'écran, sélectionnez **Add a New Model (Ajouter un nouveau modèle)**.
3. Sélectionnez **Model Option (Option de modèle)**, choisissez **DEFAULT (PAR DÉFAUT)**, sélectionnez **Airplane (Avion)**. Le système demande si vous souhaitez créer un nouveau modèle acro, sélectionnez **Create (Créer)**.
4. Sélectionnez le dernier modèle sur la liste, appelé **Acro**. Tapez sur Acro et renommez le fichier avec un nom de votre choix.
5. Maintenez enfoncée la flèche retour dans le coin supérieur gauche de l'écran pour revenir à l'écran principal.
6. Accédez au menu **Model Setup (Configuration du modèle)**. Sélectionnez **Aircraft Type (Type d'appareil)**. Le système demande l'autorisation de **Turn Off RF (Désactiver la RF)**, sélectionnez **PROCEED (POURSUIVRE)**. Touchez l'écran pour sélectionner l'aile. Sélectionnez **1 Ail.**
7. Maintenez enfoncée la flèche retour dans le coin supérieur gauche de l'écran pour revenir à l'écran principal.
8. Accédez au menu **Model Adjust (Ajustement du modèle)**.

Configuration d'un émetteur de la série iX

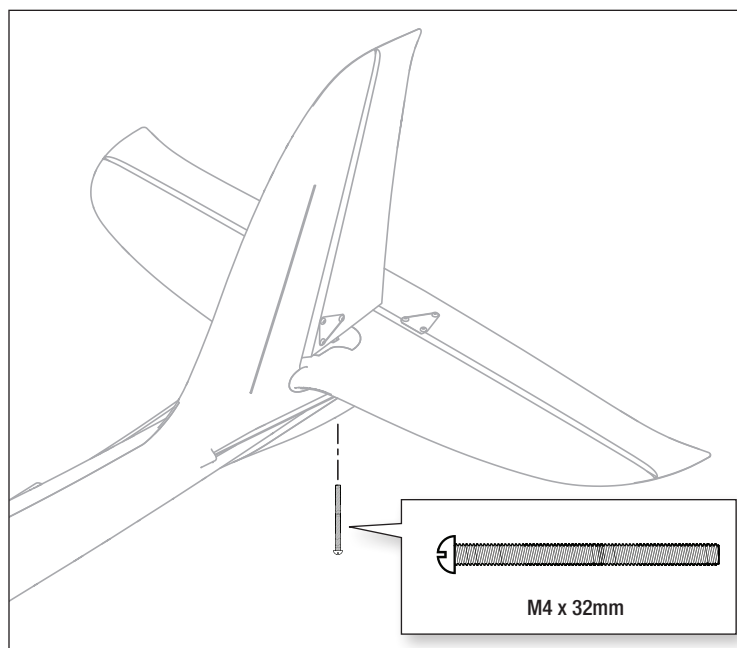
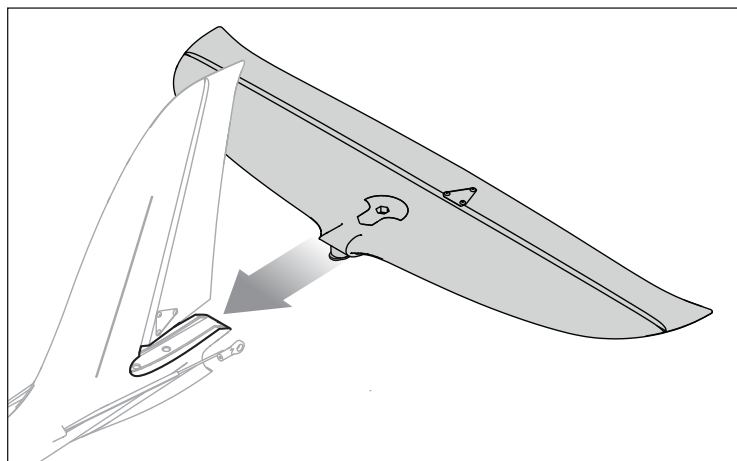
9. Paramétrez **Dual Rates and Expo (Doubles débattements et expo)** : Sélectionnez **Aileron**
Paramétrez **Switch (Commutateur) : Switch F (Commutateur F)**
Paramétrez **High Rates (Grands débattements) : 100 %, Expo 10 % – Low Rates (Faibles débattements) : 70 %, Expo 5 %**
10. Paramétrez **Dual Rates and Expo (Doubles débattements et expo)** : Sélectionnez **Elevator (Gouverne de profondeur)**
Paramétrez **Switch (Commutateur) : Switch C (Commutateur C)**
High Rates (Grands débattements) : 100 %, Expo 10 % – Low Rates (Faibles débattements) : 70 %, Expo 5 %
11. Paramétrez **Dual Rates and Expo (Doubles débattements et expo)** : Sélectionnez **Rudder (Gouverne de direction)**
Paramétrez **Switch (Commutateur) : Switch G (Commutateur G)**
High Rates (Grands débattements) : 100%, Expo 10% – Low Rates (Faibles débattements) : 70%, Expo 5%
12. Paramétrez **Throttle Cut (Coupe des gaz) ; Switch (Commutateur) : Switch H (Commutateur H), Position : -100 %**

Assemblage du modèle

Installation du stabilisateur horizontal

1. Glissez le stabilisateur horizontal dans le fuselage.
2. Insérez la vis mécanique M4 x 32 mm par le bas du fuselage dans le stabilisateur horizontal.
3. Utilisez un tournevis cruciforme pour serrer la vis.
4. Connectez l'articulation à bille de la barre de liaison à l'aide d'une pince pour articulation à bille.

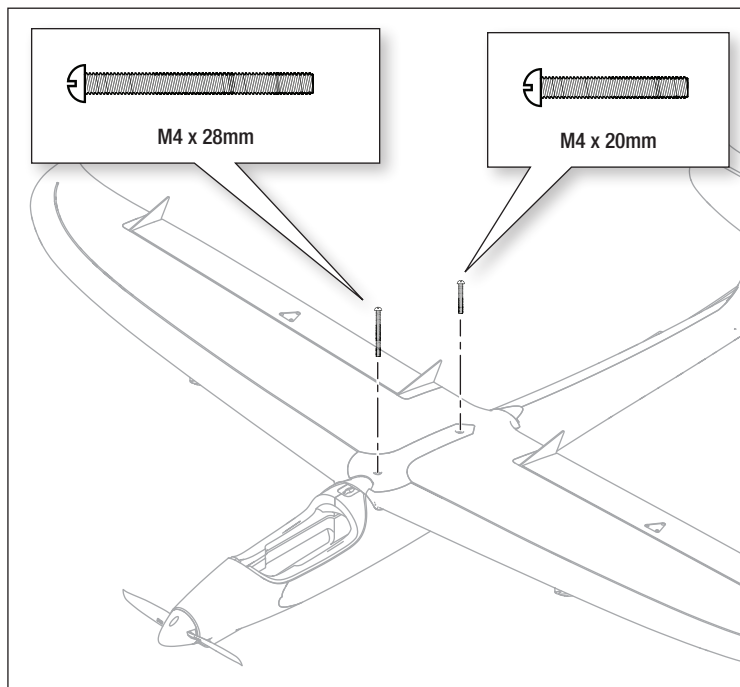
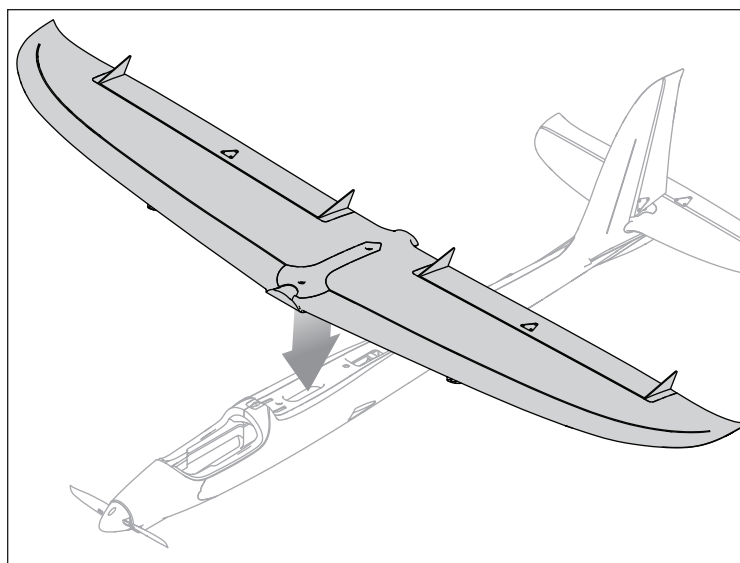
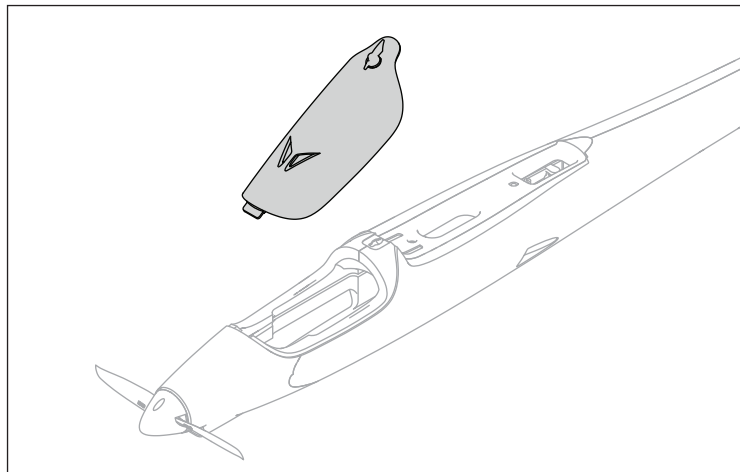
REMARQUE : ne serrez pas trop la vis.



Installation de l'aile

1. Retirez la trappe de la verrière en tournant le loquet de 90 degrés et en soulevant l'arrière de la trappe.
2. Raccordez les câbles de servo de l'aile au faisceau en Y fourni.
3. Connectez le faisceau en Y au canal 2 du récepteur.
4. Placez l'aile sur le pontet d'aile.
5. Veillez à bien ranger l'excédent des câbles du servo dans l'encoche du récepteur et à ne pas les pincer.
6. Utilisez un tournevis cruciforme pour fixer l'aile au fuselage à l'aide de deux vis mécaniques M4 x 28 mm (avant), et M4 x 20 mm (arrière).

REMARQUE : ne serrez pas trop les vis.



Installation du récepteur : PNP

Le récepteur recommandé pour cet appareil est le Spektrum AR631+. Si vous souhaitez installer un récepteur différent, assurez-vous qu'il s'agit au moins d'un récepteur à 6 canaux de pleine portée. Consultez le manuel du récepteur choisi pour connaître les instructions correctes sur l'installation et le fonctionnement.

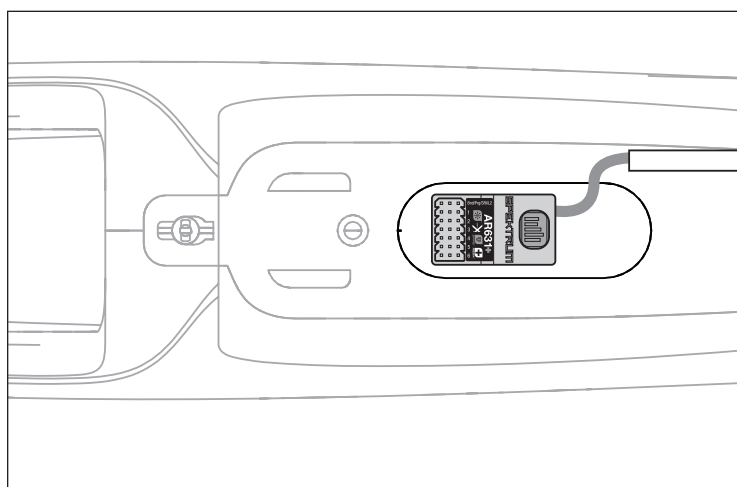
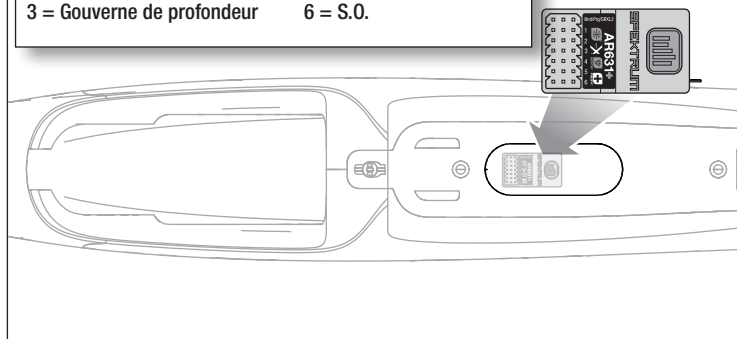
Installation du récepteur AR631+

1. Tournez le loquet de la verrière et soulevez l'arrière de la verrière pour retirer la verrière du fuselage.
2. Fixez les gouvernes sur leurs ports respectifs du récepteur à l'aide du tableau de droite.
3. À l'aide d'un ruban adhésif double face, montez le récepteur dans le compartiment situé sous l'aile. Le récepteur doit être monté parallèlement à la longueur du fuselage, avec l'étiquette vers le haut et les ports du servo vers l'avant de l'appareil, comme illustré. L'orientation du récepteur est essentielle pour toutes les configurations des technologies AS3X+ et SAFE®.
4. Acheminez l'antenne dans le tube d'antenne.

ATTENTION : une installation incorrecte du récepteur peut provoquer une chute de l'appareil.

Attributions des ports de l'AR631+ Bnd/Prg/SRXL2

1 = Gaz	4 = Gouverne de direction
2 = Ailerons	5 = S.O.
3 = Gouverne de profondeur	6 = S.O.

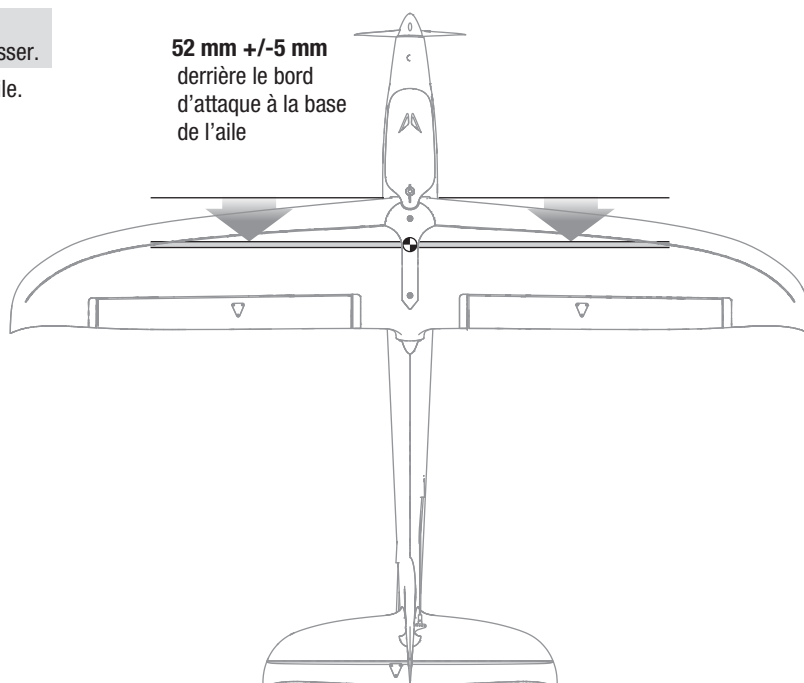


Centre de gravité (CG)

AVERTISSEMENT : installez la batterie, mais ne la branchez pas au variateur ESC lorsque vous vérifiez le CG. Vous risqueriez de vous blesser.

Le CG se trouve à 52 mm +/-5 mm derrière le bord d'attaque à la base de l'aile.
Vérifiez l'emplacement du CG en mettant le modèle à la verticale.

52 mm +/-5 mm
derrière le bord
d'attaque à la base
de l'aile



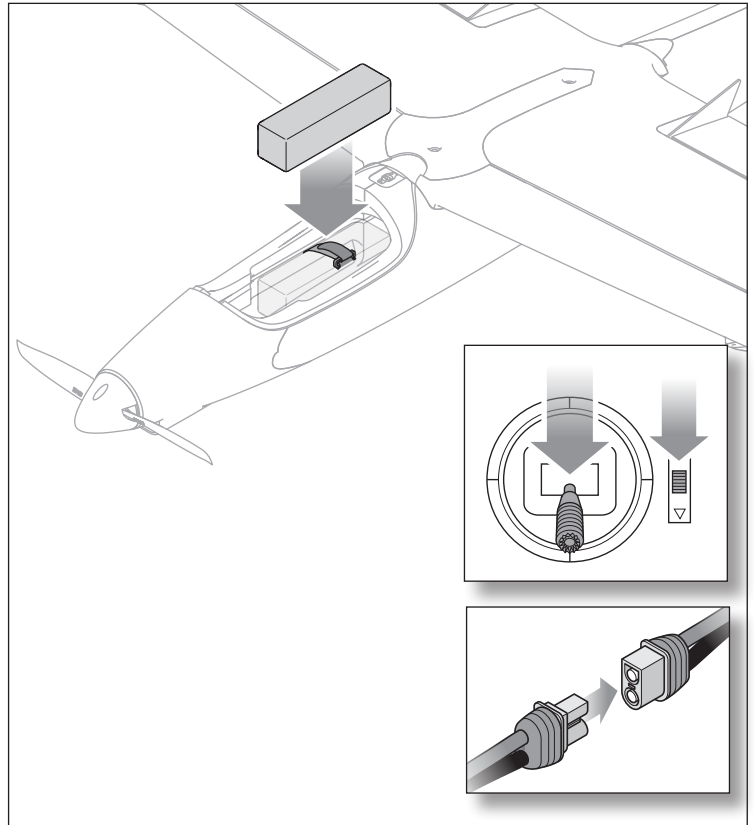
Installation de la batterie et armement du variateur ESC

Nous recommandons une batterie Li-Po 4S 2 200 mAh 30C avec connecteur IC3. Si vous utilisez une batterie différente, elle doit être de capacité, dimensions et poids similaires. Assurez-vous toujours que la maquette est équilibrée au CG recommandé avec la batterie choisie.

1. Appliquez le côté bouclettes (côté doux) de la bande velcro sur le bas de la batterie.
2. Tournez le loquet de la trappe de la verrière vers l'arrière et soulevez l'arrière de la verrière pour la retirer.
3. Allumez l'émetteur, puis attendez 5 secondes.
4. Mettez les gaz à la position la plus basse.
5. Installez la batterie entièrement chargée dans le compartiment de batterie comme illustré.
Pour plus d'informations, consultez les instructions de Réglage du centre de gravité.
6. Fixez la batterie de vol à l'aide de la bande velcro.
7. Branchez le variateur ESC au connecteur IC3 du câble d'alimentation de la batterie, en respectant la polarité. Le variateur ESC émet un son d'ouverture.
 - Le premier ensemble de tonalités consiste en 1 bip pour chaque cellule dans le pack de batterie Li-Po branché.
 - Bip croissant pour le son de fin.

REMARQUE : un raccordement de la batterie au variateur ESC avec une polarité incorrecte endommagera le variateur ESC et annulera la garantie.

8. Le variateur ESC est désormais prêt pour l'utilisation.
9. Réinstallez la trappe de la verrière sur le fuselage. Tournez le loquet pour le mettre en place.



Conseils généraux pour l'affectation et sécurité intégrée

- Le récepteur inclus a été spécifiquement programmé pour être utilisé avec cet appareil. Reportez-vous au manuel du récepteur pour la configuration appropriée en cas de remplacement de celui-ci.
- Éloignez-vous des larges objets métalliques lors de l'affectation.
- Ne pointez pas l'antenne de l'émetteur directement en direction du récepteur lors de l'affectation.
- Le témoin rouge sur le récepteur clignote rapidement lorsque le récepteur passe en mode d'affectation.
- Une fois affecté, le récepteur conservera ses réglages d'affectation pour cet émetteur jusqu'à ce que vous effectuiez une nouvelle affectation.
- En cas de perte de communication entre le récepteur et l'émetteur, le mode sécurité intégrée est activé. La sécurité intégrée fait passer le canal des gaz à la position de faible ouverture des gaz. Les canaux de tangage et de roulis se déplacent pour stabiliser l'appareil dans une position de descente.
- En cas de problème, consultez le guide de dépannage ou, si besoin, contactez le service après-vente d'Horizon adéquat.

Affectation de l'émetteur et du récepteur / Activation et désactivation de SAFE Select

La version BNF Basic de cet appareil comporte la technologie SAFE Select, qui vous permet de choisir le niveau de protection en vol. Le mode SAFE comprend des limiteurs d'angles et une stabilisation automatique. Le mode AS3X+ donne au pilote une réponse directe aux manches de commande. SAFE Select est activé ou désactivé lors du processus d'affectation. Avec SAFE Select désactivé, l'appareil est toujours en mode AS3X+. Avec SAFE Select activé, l'appareil est constamment en mode SAFE Select, ou un commutateur peut être attribué pour basculer entre le mode SAFE Select et le mode AS3X+.

Grâce à la technologie SAFE Select, cet appareil peut être configuré pour être constamment en mode SAFE, constamment en mode AS3X+, ou le choix du mode peut être attribué à un commutateur.

IMPORTANT : Avant de procéder à l'affectation, lisez attentivement la section Configuration de l'émetteur de ce manuel et complétez le tableau de configuration de l'émetteur afin de programmer correctement l'émetteur pour cet appareil.

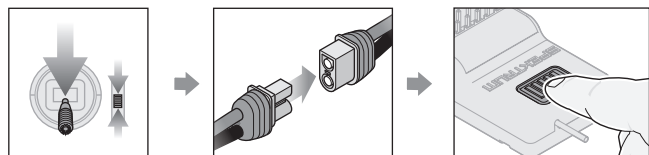
IMPORTANT : Placez les commandes de vol de l'émetteur (gouverne de direction, gouvernes de profondeur, et ailerons) et le trim des gaz en position neutre. Mettez les gaz sur faible ouverture avant et pendant l'affectation.

Vous pouvez utiliser le bouton d'affectation sur le boîtier du récepteur ou la prise d'affectation classique pour terminer l'affectation et la configuration de SAFE Select.

La technologie SAFE Select peut également être activée via la Programmation en aval.

Avec le bouton d'affectation...

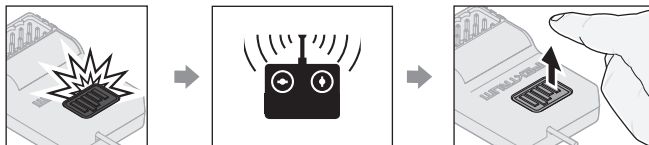
SAFE Select activé



Baissez la manette des gaz

Branchez l'alimentation

Maintenez appuyé le bouton d'affectation



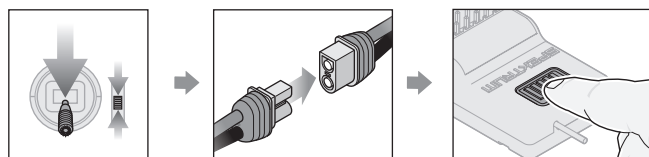
Témoin orange clignotant

Affectez l'émetteur au récepteur

Relâchez le bouton d'affectation

SAFE SELECT ACTIVÉ : Les surfaces de commande effectuent deux cycles d'avant en arrière avec une légère pause en position neutre chaque fois que le récepteur est allumé.

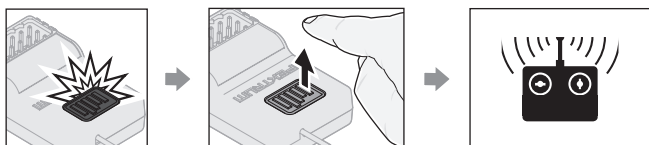
SAFE Select désactivé



Baissez la manette des gaz

Branchez l'alimentation

Maintenez appuyé le bouton d'affectation



Témoin orange clignotant

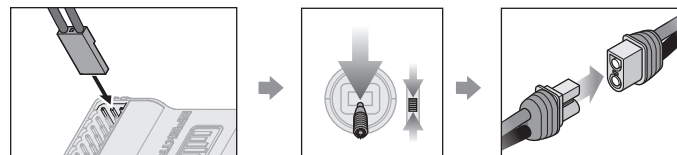
Relâchez le bouton d'affectation

Affectez l'émetteur au récepteur

SAFE SELECT DÉSACTIVÉ : Les surfaces de commande effectuent un cycle d'avant en arrière chaque fois que le récepteur est allumé.

Avec la prise d'affectation...

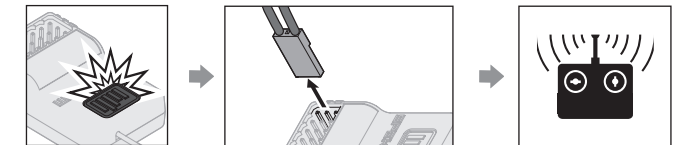
SAFE Select activé



Installez la prise d'affectation

Baissez la manette des gaz

Branchez l'alimentation



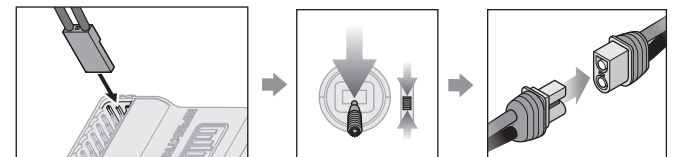
Témoin orange clignotant

Débranchez la prise d'affectation

Affectez l'émetteur au récepteur

SAFE SELECT ACTIVÉ : Les surfaces de commande effectuent deux cycles d'avant en arrière avec une légère pause en position neutre chaque fois que le récepteur est allumé.

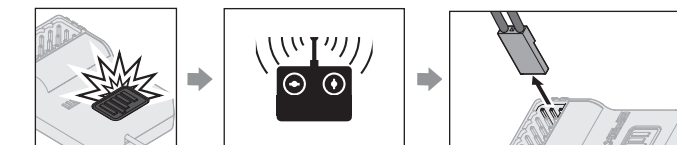
SAFE Select désactivé



Installez la prise d'affectation

Baissez la manette des gaz

Branchez l'alimentation



Témoin orange clignotant

Affectez l'émetteur au récepteur

Débranchez la prise d'affectation

SAFE SELECT DÉSACTIVÉ : Les surfaces de commande effectuent un cycle d'avant en arrière chaque fois que le récepteur est allumé.

Différences entre les modes SAFE et AS3X+

Cette section est généralement précise, mais ne tient pas compte de la vitesse de vol, de l'état de charge de la batterie et d'autres facteurs limitatifs.

	SAFE Select	AS3X+	
Saisie de commande	Le manche de commande est neutralisé	L'avion se met automatiquement à niveau	L'avion conserve la même attitude de vol
	Maintien d'une petite quantité de commande	L'appareil s'incline ou tangue à un angle modéré et conserve la même attitude de vol	L'appareil continue de tanguer ou de rouler lentement
	Maintien de la pleine commande	L'appareil s'incline ou tangue selon les limites prédéfinies et conserve la même attitude de vol	L'appareil continue de tanguer ou de rouler rapidement

De préférence, utilisez la Programmation en aval pour activer SAFE Select. La technologie SAFE SAFE® Select peut être facilement assignée à n'importe quel commutateur libre (2 ou 3 positions) sur votre émetteur. Grâce à cette fonction, vous avez le choix d'activer ou de désactiver la technologie pendant un vol.

IMPORTANT : avant d'attribuer le commutateur de votre choix, assurez-vous que la course pour ce canal est réglée sur 100 % dans les deux sens et que l'aileron, la gouverne de profondeur, la gouverne de direction et la manette des gaz sont tous en grand débattement avec une course à 100 %. Désactivez Throttle Hold (Maintien des gaz) s'il est programmé dans l'émetteur.



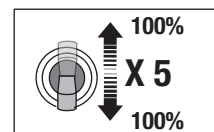
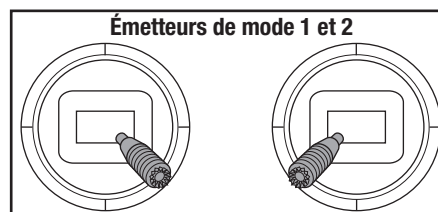
ATTENTION : maintenez toutes les parties du corps loin de l'hélice et gardez l'appareil solidement immobilisé en cas d'activation accidentelle des gaz.

Attribution d'un commutateur

1. Affectez correctement l'appareil pour activer la technologie SAFE Select. Cela permettra l'attribution du système à un commutateur.
2. Maintenez les deux manches de l'émetteur vers les coins inférieurs intérieurs et faites basculer 5 fois le commutateur de votre choix (1 bascule = entièrement vers le haut et vers le bas) pour assigner celui-ci. Les gouvernes de l'appareil se déplaceront, indiquant que le commutateur a été sélectionné.

Répétez l'opération pour attribuer un commutateur différent ou pour désactiver le commutateur actuel si vous le souhaitez.

CONSEIL : la technologie SAFE Select peut être assignée à n'importe quel canal 5 à 9 non utilisé.



Test de direction des gouvernes

Allumez l'émetteur et raccordez la batterie. Utilisez l'émetteur pour commander l'aileron, la gouverne de profondeur et la gouverne de direction. Regardez l'appareil de l'arrière pour vérifier les directions de commande.

Gouverne de profondeur

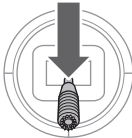
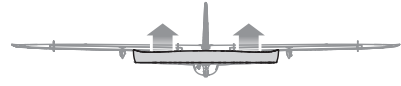

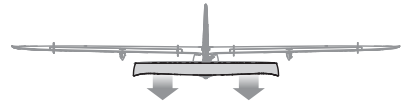
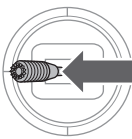
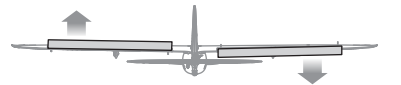
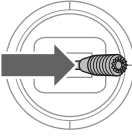
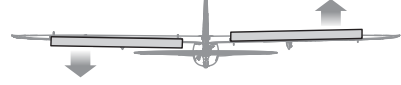
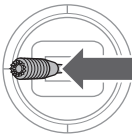
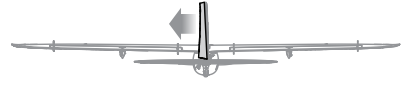
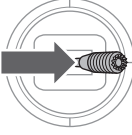
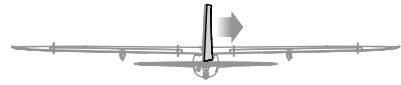
1. Tirez la manette de gouverne de profondeur en arrière. Les gouvernes de profondeur s'élèvent, ce qui fait cabrer l'appareil.
2. Poussez la manette de gouverne de profondeur vers l'avant. Les gouvernes de profondeur s'abaissent, ce qui fait descendre l'appareil.

Ailerons

1. Déplacez la manette d'aileron vers la gauche. L'aileron gauche s'élève et l'aileron droit s'abaisse, ce qui fera se pencher l'appareil vers la gauche.
2. Déplacez la manette d'aileron vers la droite. L'aileron droit s'élève et l'aileron gauche s'abaisse, ce qui fera se pencher l'appareil vers la droite.

Gouverne de direction

1. Déplacez le manche de la gouverne de direction vers la gauche. La gouverne se déplace vers la gauche, ce qui fera effectuer à l'appareil un lacet vers la gauche.
2. Déplacez le manche de la gouverne de direction vers la droite. La gouverne se déplace vers la droite, ce qui fera effectuer à l'appareil un lacet vers la droite.

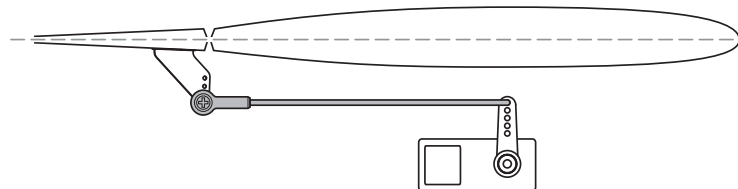
	Commande de l'émetteur	Réponse de la gouverne (vue depuis l'arrière)
Gouverne de profondeur		
		
Aileron		
		
Gouverne de direction		
		

Centrage des surfaces de commande

Après le montage et la configuration de l'émetteur, vérifiez que les gouvernes sont bien centrées. Si les gouvernes ne sont pas centrées, centrez-les mécaniquement en ajustant les tringleries.

Si un ajustement est nécessaire, tournez l'articulation à bille sur la tringlerie pour modifier la longueur de la tringlerie entre le bras de servo et le renvoi de commande. Il est recommandé d'utiliser une pince pour articulation à bille pour retirer et remplacer les articulations à bille.

Après l'affectation d'un émetteur au récepteur de l'appareil, réglez les compensations et sous-compensateurs sur 0, puis ajustez les articulations à bille pour centrer les gouvernes.

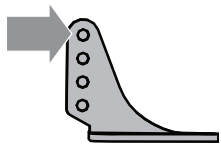
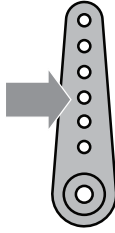
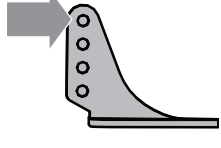
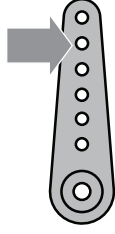
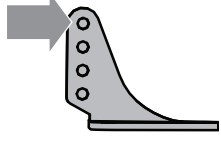
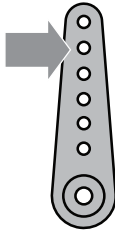


Réglages aux guignols et aux palonniers de servos

Le tableau de droite représente les positions par défaut des tringleries aux guignols et aux palonniers de servos. Effectuez le premier vol avec ces réglages par défaut avant d'effectuer des modifications.

REMARQUE: Si vous modifiez le réglage par défaut des courses, les valeurs de gain de l'AR631+ devront être ajustées. Consultez le manuel du Spektrum AR631+ pour effectuer l'ajustement des valeurs de gain.

Après le premier vol, vous pourrez ajuster les positions des tringleries pour obtenir la réponse désirée. Consultez le tableau à droite.

Réglages d'usine	Renvois de commande	Bras de servo
Aileron		
Gouverne de profondeur		
Gouverne de direction		

Doubles débattements et contrôle

Programmez votre émetteur pour configurer les débattements et les coudes de commande selon votre niveau d'expérience. Ces valeurs ont été testées et sont un bon point de départ pour réussir à voler pour la première fois.

Après le vol, vous pourrez décider d'ajuster les valeurs en fonction de la réponse de commande souhaitée.

	Petit débattement	Grand débattement
Aileron	▲ = 9mm ▼ = 6mm	▲ = 11mm ▼ = 8mm
Gouverne de profondeur	▲ = 12mm ▼ = 12mm	▲ = 17mm ▼ = 17mm
Gouverne de direction	▶ = 25mm ◀ = 25mm	▶ = 32mm ◀ = 32mm

Coupure par tension faible (LVC)

Une batterie Li-Po déchargée en-deçà de 3V ne supportera aucune charge par la suite. Le CEV (ESC) de l'aéronef protège la batterie de vol contre une décharge trop profonde grâce au système de coupure par tension faible (LVC). Lorsque la batterie est déchargée jusque 3V par cellule, la coupure par tension faible (LVC) réduit la puissance du moteur au profit du récepteur et des servos pour qu'ils puissent supporter un atterrissage.

Quand la puissance du moteur décroît, faites atterrir l'aéronef immédiatement et remplacez ou rechargez la batterie de vol.

Toujours débrancher et retirer la batterie Li-Po de l'avion après chaque vol. Chargez la batterie à environ la moitié de sa capacité avant de la stocker. Contrôlez que la tension de chaque élément de la batterie ne descend pas en dessous de 3V. Si vous ne débranchez pas la batterie, elle se déchargera de façon trop importante. Pour les premiers vols réglez la minuterie de votre montre ou émetteur sur 4 minutes. Ajustez la durée des vols une fois que vous aurez fait voler le modèle.

REMARQUE : Une activation répétitive de la coupure par tension faible (LVC) endommage la batterie.

Essai de la réponse de l'AS3X+

Ce test permet de s'assurer du bon fonctionnement du système AS3X+. Assemblez le modèle et affectez votre émetteur au récepteur avant d'effectuer ce test.

1. Pour activer l'AS3X+, placez le manche des gaz juste au dessus des 25% de sa course, puis replacez-le en position basse.



ATTENTION: Tenez vos cheveux, vos vêtements amples, vos mains et autres parties du corps à l'écart de l'hélice, elle pourrait les attraper.

2. Déplacez l'avion comme sur les illustrations et contrôlez que les gouvernes se déplacent dans la direction indiquée sur l'illustration. Si les gouvernes ne répondent pas comme sur les illustrations, ne faites pas voler le modèle. Référez-vous au manuel du récepteur pour des informations complémentaires.

Une fois le système AS3X+ activé, les gouvernes peuvent s'agiter rapidement. Il s'agit d'une réaction normale. L'AS3X+ restera actif jusqu'à la déconnexion de la batterie.

Due to different effects of torque, lift, and drag some aircraft require trim changes with different speeds and throttle settings. Mixes are pre-loaded into the receiver to compensate for these changes. The mixes become active the first time the throttle is raised above 25%. The control surfaces may be offset slightly at different throttle settings after the first time throttle is raised. Trimming the plane in flight should be done at 80-100% throttle for best results.

	Mouvement de l'avion	Réaction de l'AS3X+
Elevator		
Gouverne de profondeur		
Gouverne de direction		

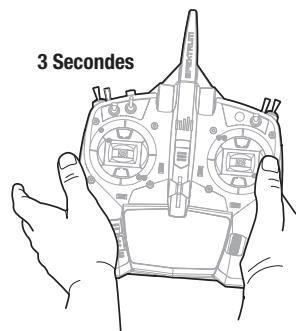
Réglage des trims en vol

Lors de votre premier vol, ajustez l'appareil pour un vol en palier. Effectuez de petites corrections aux trims pour obtenir une trajectoire parfaitement rectiligne.

Après avoir effectué le réglage des trims, ne touchez plus les manches durant 3 secondes. Le récepteur enregistre les nouveaux réglages pour optimiser l'efficacité de l'AS3X+.

Les qualités de vol seront altérées si cette procédure n'est pas respectée.

3 Secondes

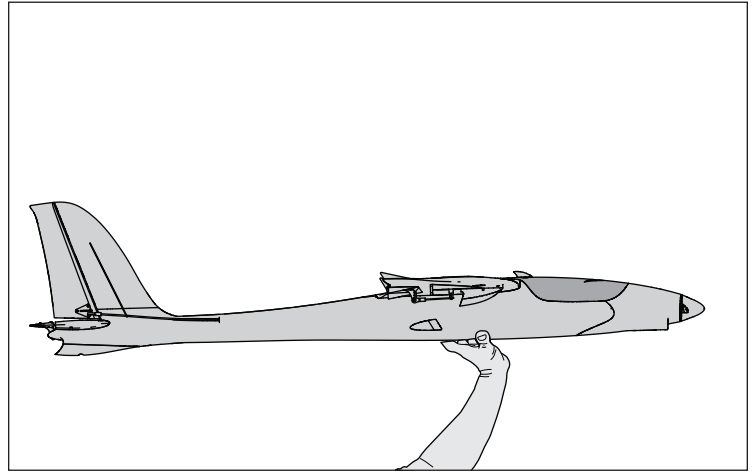


Mode d'assistance au décollage à la main

La version BNF Basic de l'ElectroStreak est équipée d'un mode d'assistance au décollage à la main qui facilite cette opération. Le système fonctionne en arrière-plan pour mettre les ailes à l'horizontale et permettre au modèle de bien monter en attitude, même après un décollage à la main qui n'a pas été parfait.

Pour activer le mode d'assistance au décollage à la main :

1. Assurez-vous que SAFE Select est activée.
2. Mettez le modèle en mode SAFE.
3. Augmentez les gaz à plus de 70 %.
4. Lancez le modèle à la main comme vous le feriez normalement. L'accélération du lancer du modèle active automatiquement le mode d'assistance, ce qui met les ailes à l'horizontale et permet au modèle de bien monter en attitude.
5. Après quelques secondes de vol, le système se désengage automatiquement et revient au mode SAFE normal.
6. Le système se réinitialise automatiquement après l'atterrissage lorsque les gaz sont réduits à moins de 5 % et que le modèle reste immobile pendant plus de 5 secondes.



Conseils de vol et réparations

Consultez les lois et ordonnances locales avant de choisir un espace de vol.

Vérifiez la portée de votre système radio

Avant de piloter votre appareil, vérifiez la portée du système radio. Consultez le mode d'emploi de votre émetteur pour obtenir des instructions sur les tests de portée.

Oscillation

Une fois que le système AS3X+ est actif (après la première augmentation des gaz), les surfaces de commande réagissent au mouvement de l'appareil. Dans certaines conditions de vol, une oscillation peut se produire (l'appareil se balance d'avant en arrière sur un axe en raison d'un excès de contrôle). Si vous constatez un problème d'oscillation, consultez le guide de dépannage pour obtenir de plus amples informations.

Décollage

Sélectionnez des débattements faibles. Maintenez le fuselage de l'appareil sous l'aile, puis augmentez progressivement les gaz jusqu'au plein régime. Faites décoller l'appareil avec les ailes à l'horizontale. Laissez l'appareil accélérer à vitesse de vol, puis tirez délicatement sur la gouverne de profondeur jusqu'à ce que vous atteigniez une altitude confortable.

Vol

Choisissez toujours un grand espace dégagé pour piloter. À cause des vitesses les plus élevées de cet avion, il a besoin de plus d'espace pour voler que la plupart des modèles en mousse. Il est idéal pour voler sur un terrain de vol désigné pour les appareils téléguidés. Évitez toujours de piloter votre appareil à proximité d'habitations, d'arbres, de fils électriques et de bâtiments. Faites aussi attention à éviter de faire voler votre appareil dans des lieux très fréquentés comme les parcs, les cours d'école ou les terrains de football.

Atterrissage

Pour vos premiers vols avec le pack de batterie recommandé (SPMX224S30), réglez le minuteur de votre émetteur ou un chronomètre sur 4 minutes (4:00), puis lancez l'appareil. Réglez votre minuteur pour des vols plus longs ou plus courts une fois que vous avez piloté le modèle. **Si, à un certain moment, le moteur envoie une impulsion, faites immédiatement atterrir l'avion pour recharger la batterie de vol.** Reportez-vous à la section sur la coupure par tension faible (LVC) pour en savoir plus sur l'optimisation de l'état et du temps de fonctionnement de la batterie.

Faites virer l'appareil contre le vent et réduisez les gaz. Utilisez les gaz pendant l'approche de l'atterrissage pour contrôler le débattement de la descente. Maintenez les ailes à l'horizontale et l'appareil face au vent. Lorsque vous approchez d'une altitude d'environ 1 mètre, diminuez les gaz et commencez votre descente en relâchant la gouverne de profondeur. Maintenez la pression arrière sur la gouverne de profondeur pour faire lentement descendre l'appareil sur la surface d'atterrissage.

REMARQUE : en cas de chute imminente, réduisez complètement les gaz et le trim (la compensation). Le non-respect de cette procédure risquerait d'endommager davantage la structure de vol, ainsi que le variateur ESC et le moteur.

REMARQUE : après un impact, vérifiez toujours que le récepteur est solidement fixé au fuselage. Si vous remplacez le récepteur, installez le nouveau récepteur dans le même sens que celui d'origine pour éviter d'endommager l'appareil.

REMARQUE : les dégâts consécutifs à un écrasement ne sont pas pris en charge dans le cadre de la garantie.

REMARQUE : après un vol, ne laissez jamais l'appareil en plein soleil ou dans un lieu fermé et chaud comme dans une voiture. Cela endommagerait l'appareil.

Centrage des surfaces de commande

Débranchez la batterie de vol du variateur ESC (nécessaire par mesure de sécurité et pour préserver la durée de vie de la batterie).

Éteignez l'émetteur.

Retirez la batterie de vol de l'appareil.

Rechargez la batterie de vol au niveau de tension de stockage.

Réparez ou remplacez toutes les pièces endommagées.

Stockez la batterie de vol en dehors de l'appareil et surveillez la charge de la batterie.

Notez les conditions de vol et les résultats du plan de vol pour prévoir les futurs vols.

Entretien des composants de puissance

ATTENTION : débranchez toujours la batterie de vol avant de réparer les composants du système d'alimentation.

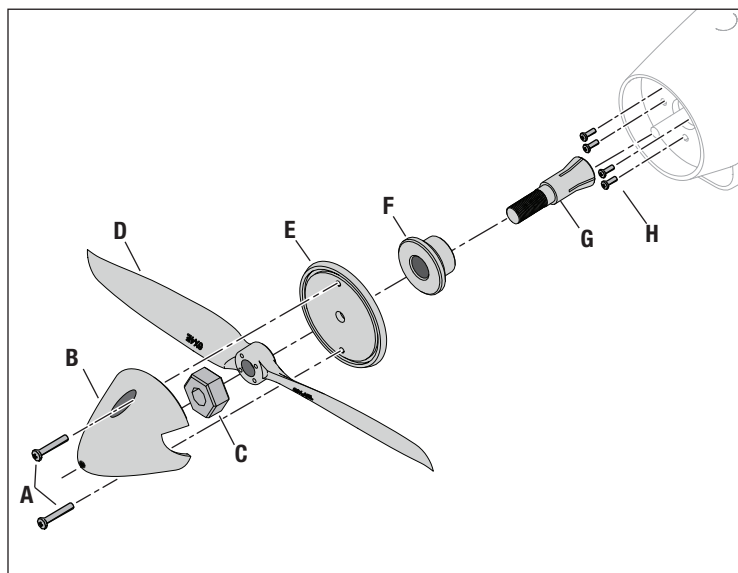
Démontage

1. Retirez la verrière pour accéder à tous les composants du système d'alimentation.
2. Retirez les deux vis mécaniques M2,5 x 6 mm (tête cruciforme) **(A)** et le cône **(B)**.
3. Utilisez une clé pour retirer l'écrou du cône **(C)**, puis retirez l'hélice **(D)**, la plaque arrière du cône **(E)**, le moyeu **(F)** et la bague de serrage **(G)** de l'arbre du moteur.
4. Retirez les quatre vis mécaniques M3 x 6 mm **(H)** et le moteur du fuselage.
5. Faites glisser avec précaution le variateur ESC depuis le haut du fuselage.
6. Débranchez le fil des gaz du récepteur et levez le variateur ESC du fuselage, en observant l'acheminement des câbles d'alimentation et des gaz à travers le fuselage.

Assemblage

Montez dans l'ordre inverse.

- Alignez et branchez les câbles du moteur aux câbles du variateur ESC en respectant les couleurs.
- Assurez-vous qu'aucun câble n'est coincé par l'un des composants du système d'alimentation.
- Assurez-vous que l'hélice est montée avec les numéros de taille (8 x 8E) orientés vers l'avant.
- Assurez-vous que le cône est parfaitement fixé pour un fonctionnement sûr.



IMPORTANT : laissez les composants de l'appareil refroidir entre chaque vol.

Guide de dépannage AS3X+

Problème	Cause Possible	Solution
Oscillation	Hélice ou cône endommagé	Remplacez l'hélice ou le cône
	Hélice déséquilibrée	Équilibrez l'hélice
	Vibration du moteur	Remplacez les pièces endommagées et contrôlez toutes les serrages et alignement des pièces
	Récepteur mal fixé	Réalignez et refixez le récepteur
	Commandes desserrées	Contrôlez les fixations des servos, palonniers guignols et gouvernes
	Pièces usées	Remplacez les pièces usées (hélice, cône ou servo)
	Fonctionnement erratique du servo	Remplacer le servo
Performances de vol aléatoires	Le trim n'est pas au neutre	Si vous ajustez les trims plus de 8 clics, ajustez la chape pour annuler le trim
	Le sub-trim n'est pas au neutre	L'utilisation des sub-trims n'est pas permise. Réglez directement les tringleries
	L'avion n'est pas resté immobile durant 5 secondes	Mettez le contrôleur hors tension, puis de nouveau sous tension en laissant l'avion immobile durant 5 secondes en plaçant le manche des gaz à la position la plus basse
Réponse incorrecte de l'appareil aux essais des commandes du système AS3X+	Paramétrage incorrect des directions des commandes du récepteur, pouvant causer un crash	NE PAS VOLER. Corriger les paramètres des commandes (se reporter au manuel du récepteur) avant de voler

Guide de dépannage

Problème	Cause Possible	Solution
L'aéronef ne répond pas aux gaz mais bien aux autres commandes	La manette des gaz n'est pas au ralenti (idle) et/ou le trim des gaz est réglé à une valeur trop élevée	Réinitialiser les commandes avec la manette des gaz et mettre le trim des gaz à sa valeur la plus faible possible
	La course du servo des gaz est inférieure à 100%	S'assurer que la course du servo des gaz est de 100%
	La voie des gaz est inversée	Inverser le canal des gaz sur l'émetteur
	Moteur déconnecté de l'ESC	Assurez-vous que le moteur soit bien connecté à l'ESC
L'hélice fait trop de bruit ou vibre trop	Hélice et cône, adaptateur ou moteur endommagé	Remplacez les pièces endommagées
	Déséquilibre de l'hélice	Équilibrer ou remplacer l'hélice
	La vis du rotor est desserrée	Serrez la vis du rotor
Durée de vol réduite ou manque de puissance de l'aéronef	La charge de la batterie de vol est faible	Recharger la batterie de vol complètement
	Hélice montée à l'envers	Monter l'hélice correctement les chiffres se trouvant sur le devant
	Batterie de vol endommagée	Remplacer la batterie de vol et respecter les instructions la concernant
	Il se pourrait que les conditions de vol soient trop froides	S'assurer que la batterie est à température avant de l'utiliser
	Capacité de la batterie trop faible pour les conditions de vol	Remplacer la batterie ou utiliser une batterie à plus grande capacité
L'aéronef n'accepte pas l'affectation (au cours de cette procédure) à l'émetteur	Émetteur trop près de l'aéronef au cours de la procédure d'affectation	Déplacer l'émetteur allumé à quelques pas de l'aéronef, déconnectez la batterie métallique
	L'aéronef ou l'émetteur se trouve trop près d'un objet métallique	Déplacer l'aéronef ou l'émetteur à bonne distance de l'objet métallique de forte taille
	La prise d'affectation n'est pas installée correctement dans le port d'affectation	Installer la prise d'affectation dans le port d'affectation affecter l'aéronef à l'émetteur
	La charge de la batterie de vol/de la batterie de l'émetteur est trop faible	Remplacer/recharger les batteries
(Après affectation), l'aéronef ne veut pas établir la liaison avec l'émetteur	Bouton d'affectation n'a pas été appuyé suffisamment longtemps durant l'étape d'affectation	Eteindre l'émetteur et répéter le processus d'affectation. Maintenir enfoncé le bouton d'affectation jusqu'à ce que le récepteur soit affecté
	Émetteur trop près de l'aéronef lors du processus d'établissement de liaison	Déplacer l'émetteur allumé à quelques pas de l'aéronef, déconnectez la batterie de vol de l'aéronef et reconnectez-la
	L'aéronef ou l'émetteur se trouve trop près d'un objet de forte taille en métal	Déplacer l'aéronef ou l'émetteur à bonne distance de l'objet de forte taille en métal
	Prise d'affectation incorrectement installée dans le port d'affectation ou dans l'extension du port d'affectation	Procéder à une nouvelle affectation émetteur/aéronef et enlever la prise d'affectation avant de couper/remettre l'alimentation en route
	Aéronef affecté à une mémoire de modèle différente (radio ModelMatch uniquement)	Sélectionner la mémoire de modèle correcte sur l'émetteur
	La charge de la batterie de vol/de la batterie de l'émetteur est trop faible	Remplacer/recharger les batteries
Il se peut que l'émetteur ait été affecté en utilisant un protocole DSM différent	Affecter l'aéronef à l'émetteur	

Guide de dépannage

Numéro de référence	Description
EFL1335001	Fuselage : ElectroStreak 1,1 m
EFL1335002	Aile : ElectroStreak 1,1 m
EFL1335003	Stabilisateur : ElectroStreak 1,1 m
EFL1335004	Trappe : ElectroStreak 1,1 m
EFL1335005	Cône : ElectroStreak 1,1 m
EFL1335006	Ensemble d'éléments de fixation : ElectroStreak 1,1 m
EFL1335007	Ensemble de barres de liaison : ElectroStreak 1,1 m
EFL1335008	Ensemble de bras de servo : ElectroStreak 1,1 m

Numéro de référence	Description
EFL1335009	Adaptateur d'hélice : ElectroStreak 1,1 m
APC08080E	Hélice 8 x 8E
SPMSA111	Servo MG 13 g A111 ; Gouverne de direction et de profondeur : ElectroStreak 1,1 m
SPMSA112	Servo MG 13 g A112 ; Aileron : ElectroStreak 1,1 m
SPMXAE45D	Variateur ESC Avian 45 A Smart Lite sans balais
SPMXAM4200	Moteur à cage tournante sans balais 3 542-1 000 kV, 14 pôles
SPM-1031	Récepteur AR631+

Articles complémentaires recommandés

Numéro de référence	Description
SPMR7110	Émetteur DSMX NX7e+ 7 canaux uniquement
SPMX224S30	Batterie Li-Po G2 Smart 14,8V 2 200 mAh 4S 30C : IC3

Numéro de référence	Description
SPMXC2020	Chargeur Smart CA S1200 G2, 1 x 200 W

Pièces facultatives

Numéro de référence	Description
SPMR8210	Émetteur DSMX NX8+ 8 canaux uniquement
SPMX223S30	Batterie Li-Po Smart 11,1 V 2 200 mAh 3S 30C : IC3
SPMX22003S30	Batterie Li-Po Smart 11,1 V 2 200 mAh 3S 30C : IC3
SPMX22004S30	Batterie Li-Po Smart 14,8 V 2 200 mAh 4S 30C : IC3
SPMXBC100	Contrôleur pour batterie Li-Po Smart XBC100 et servomoteur

Numéro de référence	Description
SPMXC2040	Chargeur Smart 1 x 400 W CA G2 S1400
SPMXC2010	Chargeur Smart 2 x 200 W CA G2 S2200
BLH100	Pinces pour articulation à bille Deluxe

Liste du matériel

Emplacement	Description	Quantité
Aile ; vis avant	Vis mécanique à tête cruciforme M4 x 28 mm	1
Aile ; vis arrière	Vis mécanique à tête cruciforme M4 x 20mm	1
Vis du moteur	Vis mécanique à tête cruciforme M3 x 6 mm	4
Vis du stabilisateur horizontal	Vis mécanique à tête cruciforme M4 x 32mm	1
Vis de support moteur	Vis mécanique à tête cruciforme 2 x 10 mm	4
Écrou d'articulation à bille	M2	6
Vis d'articulation à bille	Vis mécanique à tête cruciforme M2 x 10 mm	4
Écrou d'hélice	M6	1
Rondelle d'hélice	Rondelle M6	1
Écrous capturés des ailes et des stabilisateurs	M4	3
Vis du cône	M2,5 x 4mm	2

Garantie et réparations

Durée de la garantie—Garantie exclusive - Horizon Hobby, LLC (Horizon) garantit que le Produit acheté (le « Produit ») sera exempt de défauts matériels et de fabrication à sa date d'achat par l'Acheteur. La durée de garantie correspond aux dispositions légales du pays dans lequel le produit a été acquis. La durée de garantie est de 6 mois et la durée d'obligation de garantie de 18 mois à l'expiration de la période de garantie.

Limitations de la garantie—(a) La garantie est donnée à l'acheteur initial (« Acheteur ») et n'est pas transférable. Le recours de l'acheteur consiste en la réparation ou en l'échange dans le cadre de cette garantie. La garantie s'applique uniquement aux produits achetés chez un revendeur Horizon agréé. Les ventes faites à des tiers ne sont pas couvertes par cette garantie. Les revendications en garantie seront acceptées sur fourniture d'une preuve d'achat valide uniquement. Horizon se réserve le droit de modifier les dispositions de la présente garantie sans avis préalable et révoque alors les dispositions de garantie existantes.

(b) Horizon n'endosse aucune garantie quant à la vendabilité du produit ou aux capacités et à la forme physique de l'utilisateur pour une utilisation donnée du produit. Il est de la seule responsabilité de l'acheteur de vérifier si le produit correspond à ses capacités et à l'utilisation prévue.

(c) Recours de l'acheteur — Il est de la seule discrétion d'Horizon de déterminer si un produit présentant un cas de garantie sera réparé ou échangé. Ce sont là les recours exclusifs de l'acheteur lorsqu'un défaut est constaté.

Horizon se réserve la possibilité de vérifier tous les éléments utilisés et susceptibles d'être intégrés dans le cas de garantie. La décision de réparer ou de remplacer le produit est du seul ressort d'Horizon. La garantie exclut les défauts esthétiques ou les défauts provoqués par des cas de force majeure, une manipulation incorrecte du produit, une utilisation incorrecte ou commerciale de ce dernier ou encore des modifications de quelque nature qu'elles soient.

La garantie ne couvre pas les dégâts résultant d'un montage ou d'une manipulation erronés, d'accidents ou encore du fonctionnement ainsi que des tentatives d'entretien ou de réparation non effectuées par Horizon. Les retours effectués par le fait de l'acheteur directement à Horizon ou à l'une de ses représentations nationales requièrent une confirmation écrite.

Limitation des dommages—Horizon ne saurait être tenu pour responsable de dommages conséquents directs ou indirects, de pertes de revenus ou de pertes commerciales, liés de quelque manière que ce soit au produit et ce, indépendamment du fait qu'un recours puisse être formulé en relation avec un contrat, la garantie ou l'obligation de garantie. Par ailleurs, Horizon n'acceptera pas de recours issus d'un cas de garantie lorsque ces recours dépassent la valeur unitaire du produit. Horizon n'exerce aucune influence sur le montage, l'utilisation ou la maintenance du produit ou sur d'éventuelles combinaisons de produits choisies par l'acheteur. Horizon ne prend en compte aucune garantie et n'accepte aucun recours pour les blessures ou les dommages pouvant en résulter. Horizon Hobby ne saurait être tenu responsable d'une utilisation ne respectant pas les lois, les règles ou réglementations en vigueur.

En utilisant et en montant le produit, l'acheteur accepte sans restriction ni réserve toutes les dispositions relatives à la garantie figurant dans le présent document. Si vous n'êtes pas prêt, en tant qu'acheteur, à accepter ces dispositions en relation avec l'utilisation du produit, nous vous demandons de restituer au vendeur le produit complet, non utilisé et dans son emballage d'origine.

Indications relatives à la sécurité—Ceci est un produit de loisirs perfectionné et non un jouet. Il doit être utilisé avec précaution et bon sens et nécessite quelques aptitudes mécaniques ainsi que mentales. L'incapacité à utiliser le produit de manière sûre et raisonnable peut provoquer des blessures et des dégâts matériels conséquents. Ce produit n'est pas destiné à être utilisé par des enfants sans la surveillance par un tuteur. La notice d'utilisation contient des indications relatives à la sécurité ainsi que des indications concernant la maintenance et le fonctionnement du produit. Il est absolument indispensable de lire et de comprendre ces indications avant la première mise en service. C'est uniquement ainsi qu'il sera possible d'éviter une manipulation erronée et des accidents entraînant des blessures et des dégâts. Horizon Hobby ne saurait être tenu responsable d'une utilisation ne respectant pas les lois, les règles ou réglementations en vigueur.

Questions, assistance et réparations—Votre revendeur spécialisé local et le point de vente ne peuvent effectuer une estimation d'éligibilité à l'application de la garantie sans avoir consulté Horizon. Cela vaut également pour les réparations sous garantie. Vous voudrez bien, dans un tel cas, contacter le revendeur qui conviendra avec Horizon d'une décision appropriée, destinée à vous aider le plus rapidement possible.

Maintenance et réparation—Si votre produit doit faire l'objet d'une maintenance ou d'une réparation, adressez-vous soit à votre revendeur spécialisé, soit directement à Horizon. Emballez le produit soigneusement. Veuillez noter que le carton d'emballage d'origine ne suffit pas, en règle générale, à protéger le produit des dégâts pouvant survenir pendant le transport. Faites appel à un service de messagerie proposant une fonction de suivi et une assurance, puisque Horizon ne prend aucune responsabilité pour l'expédition du produit jusqu'à sa réception acceptée. Veuillez joindre une preuve d'achat, une description détaillée des défauts ainsi qu'une liste de tous les éléments distincts envoyés. Nous avons de plus besoin d'une adresse complète, d'un numéro de téléphone (pour demander des renseignements) et d'une adresse de courriel.

Garantie et réparations—Les demandes en garantie seront uniquement traitées en présence d'une preuve d'achat originale émanant d'un revendeur spécialisé agréé, sur laquelle figurent le nom de l'acheteur ainsi que la date d'achat. Si le cas de garantie est confirmé, le produit sera réparé. Cette décision relève uniquement d'Horizon Hobby.

Réparations payantes—En cas de réparation payante, nous établissons un devis que nous transmettons à votre revendeur. La réparation sera seulement effectuée après que nous ayons reçu la confirmation du revendeur. Le prix de la réparation devra être acquitté au revendeur. Pour les réparations payantes, nous facturons au minimum 30 minutes de travail en atelier ainsi que les frais de réexpédition. En l'absence d'un accord pour la réparation dans un délai de 90 jours, nous nous réservons la possibilité de détruire le produit ou de l'utiliser autrement.

ATTENTION : Nous n'effectuons de réparations payantes que pour les composants électroniques et les moteurs. Les réparations touchant à la mécanique, en particulier celles des hélicoptères et des voitures radiocommandées, sont extrêmement coûteuses et doivent par conséquent être effectuées par l'acheteur lui-même.

10/15

Informations de contact du service et de la garantie

Pays d'achat	Horizon Hobby	Numéro de téléphone/E-mail	Adresse
Union européenne	Horizon Technischer Service Sales: Horizon Hobby GmbH	service@horizonhobby.de +49 (0) 4121 2655 100	Hanskampring 9 D 22885 Barsbüttel, Germany

Informations IC

Contient: CAN ICES-3 (B)/NMB-3(B)

Contient: IC: 6157A-SPMSR6200A

Ce dispositif contient un/des émetteur(s)/récepteur(s) exempt(s) de licence conforme(s) aux CNR d'Innovation, Sciences et Développement économique Canada.

Son utilisation est soumise aux deux conditions suivantes :

1. Cet appareil ne doit pas causer d'interférences.
2. Cet appareil doit accepter toute interférence, y compris les interférences pouvant entraîner un fonctionnement indésirable.

Informations de conformité pour l'Union européenne



Déclaration de conformité aux normes de l'UE :

EFL ElectroStreak PNP (EFL13375) : Par la présente, Horizon Hobby, LLC déclare que cet appareil est conforme aux directives suivantes : Directive relative aux équipements radioélectriques 2014/53/UE,

Directive RoHS 2 2011/65/UE, Directive RoHS 3 - Modifiant 2011/65/UE Annexe II 2015/863.

EFL ElectroStreak BNF-Basic (EFL13350) Par la présente, Horizon Hobby, LLC déclare que cet appareil est conforme aux directives suivantes : Directive CEM 2014/30/UE, Directive RoHS 2 2011/65/UE, Directive RoHS 3 - Modifiant 2011/65/UE Annexe II 2015/863.

Le texte complet de la déclaration de conformité aux normes de l'UE est disponible à l'adresse Internet suivante : <https://www.horizonhobby.com/content/support-render-compliance>.

Plage de fréquences sans fil et puissance de sortie sans fil :

2404-2476MHz

5.58dBm

Fabricant officiel pour l'UE :

Horizon Hobby, LLC
2904 Research Road
Champaign, IL 61822 USA

Importateur officiel pour l'UE :

Horizon Hobby, GmbH
Hanskampring 9
22885 Barsbüttel Germany

NOTE DEEE :



L'étiquette de cet appareil respecte la directive européenne 2012/19/UE en matière de déchets des équipements électriques et électroniques (DEEE). Cette étiquette indique que ce produit ne doit pas être jeté avec les déchets ménagers, mais déposé dans une installation appropriée afin de permettre sa récupération et son recyclage.

WISO

Tutte le istruzioni, le garanzie e gli altri documenti pertinenti sono soggetti a cambiamenti a totale discrezione di Horizon Hobby, LLC. Per una documentazione aggiornata sul prodotto, visitare il sito horizonhobby.com o towerhobbies.com e fare clic sulla sezione Support del prodotto.


CONVENZIONI TERMINOLOGICHE

Nella documentazione relativa al prodotto vengono utilizzati i seguenti termini per indicare i vari livelli di pericolo potenziale durante l'uso del prodotto:

AVVERTENZA: Indica procedure che, se non debitamente seguite, determinano il rischio di danni alle cose, danni collaterali e gravi lesioni alle persone o il rischio elevato di lesioni superficiali alle persone.

ATTENZIONE: Indica procedure che, se non debitamente seguite, determinano il rischio di danni alle cose e di gravi lesioni alle persone.

AVVISO: Indica procedure che, se non debitamente seguite, possono determinare il rischio di danni alle cose e il rischio minimo o nullo di lesioni alle persone.

 **AVVERTENZA:** leggere TUTTO il manuale di istruzioni e familiarizzare con le caratteristiche del prodotto prima di farlo funzionare. Un uso improprio del prodotto può causare danni al prodotto stesso e alle altre cose e gravi lesioni alle persone.


Questo modello è un prodotto sofisticato per appassionati di modellismo. Deve essere azionato in maniera attenta e responsabile e richiede alcune conoscenze basilari di meccanica. L'uso improprio o irresponsabile di questo prodotto può causare lesioni alle persone e danni al prodotto stesso o alle altre cose. Questo prodotto non deve essere utilizzato dai bambini senza la diretta supervisione di un adulto. Non tentare di smontare, utilizzare componenti incompatibili o modificare il prodotto in nessun caso senza previa approvazione di horizon hobby, llc. Questo manuale contiene le istruzioni per la sicurezza, l'uso e la manutenzione del prodotto. È fondamentale leggere e seguire tutte le istruzioni e le avvertenze del manuale prima di montare, impostare o utilizzare il prodotto, al fine di utilizzarlo correttamente e di evitare di causare danni alle cose o gravi lesioni alle persone.

Limite minimo di età consigliato: Almeno 14 anni. Non è un giocattolo.

Precauzioni e Avvertenze Sulla Sicurezza

L'utente di questo prodotto è l'unico responsabile del corretto utilizzo del medesimo in modo tale da non risultare pericoloso per sé stesso e gli altri e da non danneggiare il prodotto stesso o i beni altrui.

- Mantenere sempre la distanza di sicurezza in tutte le direzioni attorno al modello per evitare collisioni o danni. Questo modello è controllato da un segnale radio soggetto a interferenze provenienti da diverse sorgenti non controllabili dall'utilizzatore. Tali interferenze possono provocare perdite momentanee di controllo.
- Utilizzare sempre il modello in spazi liberi da veicoli, traffico e persone.
- Seguire sempre scrupolosamente le istruzioni e le avvertenze sia per il modello che per tutti gli accessori (caricabatteria, pacchi batteria ricaricabili, ecc.).
- Tenere sempre le sostanze chimiche, le parti piccole e i componenti elettrici fuori dalla portata dei bambini.
- Evitare sempre il contatto con l'acqua di tutte le apparecchiature che non sono state appositamente progettate a tale scopo. L'umidità danneggia i componenti elettronici.
- Non mettere in bocca le parti del modello. Potrebbe essere pericoloso e persino mortale.
- Non utilizzare il modello se le batterie della trasmittente sono poco cariche.
- Tenere sempre il velivolo in vista e sotto controllo.
- Usare sempre batterie completamente cariche.
- Tenere sempre la trasmittente accesa quando il velivolo viene alimentato.
- Rimuovere sempre le batterie prima dello smontaggio.
- Tenere sempre pulite le parti mobili.
- Tenere sempre i componenti asciutti.
- Lasciare sempre che i componenti si raffreddino dopo l'uso prima di toccarli.
- Rimuovere sempre le batterie dopo l'uso.
- Accertarsi sempre che il failsafe sia impostato correttamente prima del volo.
- Non utilizzare mai velivoli con cablaggi danneggiati.
- Non toccare mai le parti in movimento.

 **ATTENZIONE AI PRODOTTI CONTRAFFATTI:** se è necessario sostituire la ricevente Spektrum in dotazione con uno dei prodotti Horizon Hobby, si raccomanda di acquistare sempre da Horizon Hobby, LLC o da un suo rivenditore autorizzato per essere certi dell'autenticità e della qualità del prodotto Spektrum. Horizon Hobby, LLC nega ogni assistenza tecnica e garanzia a titolo esemplificativo, ma non esaustivo in merito alla compatibilità e alle prestazioni di prodotti contraffatti o dichiarati compatibili con la tecnologia DSM o Spektrum.

Registrazione

Registra il tuo prodotto oggi stesso per unirti alla nostra mailing list e ricevere tutti gli aggiornamenti sui prodotti, le offerte e le novità E-flite.



Indice

Tecnologia SAFE Select (<i>BNF Basic</i>).....	62
Configurazione automatica della trasmittente.....	62
Configurazione del trasmettitore	63
Assemblaggio del modello	64
Installazione del ricevitore: PNP	66
Baricentro (CG)	66
Battery Installation and ESC Arming	67
Consigli generali per binding e failsafe.....	68
Connessione fra trasmittente e ricevente / Commutare ON e OFF il SAFE Select	68
Verifica della direzione delle superfici di controllo	70
Centraggio delle superfici di controllo	70
Impostazione squadrette e bracci servi	71
Duale Rate (riduttori di corsa) e corsa dei comandi	71
Spegnimento per bassa tensione (LVC).....	71
Verificare il verso dei controlli AS3X+.....	72
Trimmaggio in volo	72
Modalità di lancio a mano assistito	73
Consigli per il volo e riparazioni.....	73
Dopo il volo.....	74
Manutenzione del gruppo propulsore	74
Guida alla risoluzione dei problemi con l'AS3X+	75
Guida alla risoluzione dei problemi.....	75
Parti di ricambio	76
Articoli di completamento consigliati.....	76
Parti opzionali	76
Elenco viteria.....	76
Garanzia	77
Garanzia e informazioni di contatto dell'assistenza	77
Dichiarazione di conformità per l'Unione europea.....	78

Specifiche

Apertura alare	1100 mm
Lunghezza	938 mm
Peso	Senza batteria: 885 g Con la batteria 4S 2200 mAh consigliata: 1118 g

Elementi inclusi

Ricevitore	AR631+ DSMX 6 Canali AS3X+ e SAFE (SPM-1031) (solo BNF)
ESC	Avian™ 45 A Smart Lite ESC Brushless, 3S-6S con connettore IC3 (SPMXAE45D)
Motore	Brushless Outrunner; 3542-1000 Kv 14 poli (SPMXAM4200)
Servo	(2) Equilibratore e Timone: A111 13 g ingranaggi in metallo (SPMSA111) (2) Alettoni: A112 13 g ingranaggi in metallo (SPMSA112)

Accessori richiesti

Trasmittente	Piena portata 6+ canali 2,4 GHz con tecnologia Spektrum DSM2/DSMX®
Batteria	3S-4S 14,8 V 1800-2200 mAh 30C LiPo con connettore EC3™ o IC3®
Caricabatterie	per batterie LiPo a 4 celle con bilanciamento
Ricevitore	5+ canali (consigliato AR631+) (solo PNP)

Utensili necessari



- Phillips Screwdriver (PH#2)

Tecnologia SAFE Select (BNF Basic)

La versione base di BNF di questo aereo include la tecnologia SAFE Select che può offrire un livello extra di protezione in volo. Utilizzare le seguenti istruzioni per rendere attivo il sistema SAFE Select e assegnarlo a uno switch. Quando abilitato, SAFE Select impedisce all'aeroplano di effettuare operazioni bancarie o pitching oltre i limiti prestabiliti e l'autolivellamento automatico mantiene l'aereo in volo in posizione diritta e in piano quando gli alettoni, elevatore e stick del timone sono in posizione neutra.

SAFE Select è abilitato o disabilitato durante il processo di bind. Quando l'aereo è collegato con SAFE Select abilitato, è possibile assegnare un interruttore per passare dalla modalità di selezione SAFE alla modalità AS3X+. La tecnologia

AS3X+ rimane attiva senza limiti bancari o autolivellamento ogni volta che SAFE Select è disabilitato o OFF.

SAFE Select può essere configurato in tre modi;

- SAFE Select Off: sempre in modalità AS3X+
- SAFE Select On-no switch assegnato: sempre in modalità SAFE Select
- SAFE Selezionare On con un interruttore assegnato: commuta tra la modalità di selezione SAFE e la modalità AS3X+

Configurazione automatica della trasmittente

Il ricevitore AR631+, incluso in dotazione con il l'ElectroStreak mm, è programmato con una nuovissima versione del sistema AS3X+/SAFE. La programmazione include un file denominato Smart Transmitter File contenente la configurazione sviluppata appositamente per l'ElectroStreak. Ciò consente di importare rapidamente le impostazioni della trasmittente, direttamente dal ricevitore, durante la procedura di binding.

Trasmittenti supportati e requisiti del firmware:

- Tutte le trasmittenti NX (con versione firmware 4.0.11+)
- iX14 (con app versione 2.0.9+)
- iX20 (con app versione 2.0.9+)

Importante: al momento le trasmittenti iX12 e DX non supportano ancora i trasferimenti dei file Smart Transmitter File.

Per caricare questi file:

1. Accendere la trasmittente.
2. Creare un nuovo file di modello vuoto sulla trasmittente.
3. Accendere il ricevitore.
4. Premere il tasto di binding sul ricevitore.
5. Impostare la trasmittente in modalità di binding. Il modello procede normalmente al binding.
6. Completato il binding, apparirà la schermata di download, come mostrato a destra.
7. Selezionare **CARICA** per continuare.

La schermata di avviso mostrata a destra avverte che il download sovrascriverà tutte le informazioni del modello corrente. Se si tratta di un nuovo modello, i parametri della trasmittente dell'ElectroStreak verranno semplicemente inseriti nel modello selezionato e che sarà ridenominato ElectroStreak.

AVVISO: confermando si annullano le impostazioni della trasmittente precedentemente salvate.

8. Premere CONFIRM (CONFERMA) per confermare e continuare.
9. Completato il download, il file verrà installato sulla trasmittente e le informazioni di telemetria saranno caricate automaticamente.

Completato il caricamento, la radio tornerà alla schermata iniziale e lo schermo mostrerà "ElectroStreak BNF-B EFL13350".

La configurazione della trasmittente è ora completa e l'aereo è pronto a volare.

Timer di volo

Nel file di impostazione della trasmittente non è stato caricato alcun timer di volo. Il monitor di tensione avvisa quando la tensione della batteria scendendo si avvicina alla tensione di attivazione della funzione di protezione LVC, indicando che è ora di atterrare. Questo sistema funziona solo quando si utilizzano batterie Smart. Se la batteria in uso non è Smart, impostare il timer di volo per monitorare la durata del volo.

Smart Transmitter File

Il ricevitore contiene un file Smart Transmitter precaricato.

Versione RX: EFL13350

"Versione firmware"

Vuoi caricare il file dal ricevitore?

SKIP (SALTA)

LOAD (CARICA)

AVVISO

In questo modo si sovrascrivono tutte le impostazioni correnti del modello.

Se l'hardware del modello BNF è cambiato, il file del ricevitore potrebbe non funzionare correttamente. Non utilizzare senza aver prima controllato tutto.

Vuoi caricare il file dal ricevitore?

BACK (INDIETRO)

CONFIRM (CONFERMA)

Configurazione del trasmettitore

IMPORTANTE: dopo avere configurato il modello, ripetere sempre la procedura di binding tra trasmettitore e ricevitore per regolare le posizioni di failsafe desiderate.

Per il primo volo, impostare il timer di volo a 4 minuti se si usa una batteria 4S 2200 mAh. Regolare il tempo dopo il primo volo.

Impostazioni della telemetria	
Rx V : Min Rx V	4.2V
Smart ESC : Low Voltage Alarm	3.4V
Smart Battery : Startup Volt Minimum	4.0V
Conteggio poli motore	14

Impostazione delle trasmettenti serie NX

1. Accendere la trasmettente, premere la rotella di scorrimento, scorrere fino a **System Setup (Impostazione sistema)** e premere di nuovo sulla rotella. Selezionare **YES (Si)**.
2. Andare in **Model Select (Scelta modello)** e scegliere **Add New Model (Aggiungi nuovo modello)** verso il fondo alla lista. Selezionare **Airplane Model Type (Tipo modello aeroplano)** scegliendo l'icona dell'aeroplano; poi selezionare **Create (Crea)**.
3. Impostare **Model Name (Nome modello)**: inserire il nome da assegnare al file del modello.
4. Andare su **Aircraft Type (Tipo aereo)** e scorrere fino alla selezione dell'ala, scegliere **Wing (Ala): 1 Ail Tail (Coda): Normale**
5. Selezionare **Main Screen (Schermata principale)**, premere sulla rotella per entrare in **Function List (Lista funzioni)**.
6. Andare nei menu **D/R (Dual Rate) ed Expo** per impostare **D/R ed Expo**.
7. Impostare **Dual Rate ed Expo: Alettone**
Impostare **Interruttore: Switch F**
Impostare **High Rates (Ratei alti): 100%, Expo 10% — Low Rates (Ratei bassi): 70%, Expo 5%**
8. Impostare **Dual Rate ed Expo: Elevatore**
Impostare **Interruttore: Switch C**
High Rates (Ratei alti): 100%, Expo 10% — Low Rates (Ratei bassi): 70%, Expo 5%
9. Impostare **Dual Rate ed Expo: Timone**
Impostare **Interruttore: Switch G**
High Rates (Ratei alti): 100%, Expo 10% — Low Rates (Ratei bassi): 70%, Expo 5%
10. Impostare **Throttle Cut (Taglio gas); Interruttore: Switch H, Posizione: -100%**

Dual Rate

Condurre i primi voli impostando su Low Rate (corsa corta). Per l'atterraggio, applicare High Rate (corsa lunga) all'equilibratore.

AVVISO: per garantire il corretto funzionamento della tecnologia AS3X+, non ridurre le corse sotto il 50%. Se si desidera una minore deviazione dei comandi, regolare manualmente la posizione delle aste di comando sui bracci dei servo.

AVVISO: consultare la guida alla risoluzione dei problemi per maggiori informazioni se si verificano oscillazioni ad alta velocità.

Esponenziale

Dopo i primi voli, è possibile regolare l'esponenziale nella trasmettente.

Impostazione delle trasmettenti serie DX

1. Accendere la trasmettente, premere la rotella di scorrimento, scorrere fino a **System Setup (Impostazione sistema)** e premere di nuovo sulla rotella. Selezionare **YES (Si)**.
2. Andare in **Model Select (Scelta modello)** e scegliere **Add New Mode (Aggiungi nuovo modello)** in fondo alla lista. Il sistema chiede se si vuole creare un nuovo modello, selezionare **Create (Crea)**.
3. Impostare **Model Type (Tipo di modello)**: Selezionare **Airplane Model Type (Tipo modello aeroplano)** scegliendo l'icona dell'aeroplano. Il sistema chiede di confermare il tipo di modello, i dati saranno resettati. Selezionare **YES (Si)**.
4. Impostare **Model Name (Nome modello)**: inserire il nome da assegnare al file del modello.
5. Andare su **Aircraft Type (Tipo aereo)** e scorrere fino alla selezione dell'ala, scegliere **Wing (Ala): 1 Ail Tail (Coda): Normale**
6. Selezionare **Main Screen (Schermata principale)**, premere sulla rotella per entrare in **Function List (Lista funzioni)**.
7. Impostare **D/R (Dual Rate) ed Expo: Alettone**
Impostare **Interruttore: Switch F**
Impostare **High Rates (Ratei alti): 100%, Expo 10% — Low Rates (Ratei bassi): 70%, Expo 5%**
8. Impostare **D/R (Dual Rate) ed Expo: Elevatore**
Impostare **Interruttore: Switch C**
High Rates (Ratei alti): 100%, Expo 10% — Low Rates (Ratei bassi): 70%, Expo 5%
9. Impostare **Dual Rate ed Expo: Timone**
Impostare **Interruttore: Switch G**
High Rates (Ratei alti): 100%, Expo 10% — Low Rates (Ratei bassi): 70%, Expo 5%
10. Impostare **Throttle Cut (Taglio gas); Interruttore: Switch H, Posizione: -100%**

Configurazione delle trasmissioni serie iX

1. Accendere la trasmittente e attendere che l'applicazione Spektrum AirWare si apra. Selezionare l'icona della penna arancione nell'angolo in alto a sinistra; il sistema chiede di poter spegnere la trasmissione RF. Selezionare **PROCEED (PROCEDEI)**.
2. Selezionare i tre punti nell'angolo in alto a destro nello schermo, poi selezionare **Add a New Mode (Aggiungi nuovo modello)**.
3. Selezionare **Model Option (Opzione modello)**, scegliere **DEFAULT**, scegliere **Airplane (Aereo)**. Il sistema chiede se si vuole creare un nuovo modello ACRO; selezionare **Create (Crea)**.
4. Selezionare l'ultimo modello della lista, chiamato **Acro**. Toccare la parola Acro e rinominare il file con un nome a scelta.
5. Tenere premuta l'icona della freccia indietro nell'angolo in alto a sinistra dello schermo per tornare alla schermata principale.
6. Andare nel menu **Model Setup (Imposta modello)**. Selezionare **Aircraft Type (Tipo aeromodello)**. Il sistema chiede di poter spegnere la trasmissione RF. Selezionare **PROCEED (PROCEDEI)**.
Toccare lo schermo per selezionare l'ala. Selezionare **1 Ail.**

Configurazione delle trasmissioni serie iX

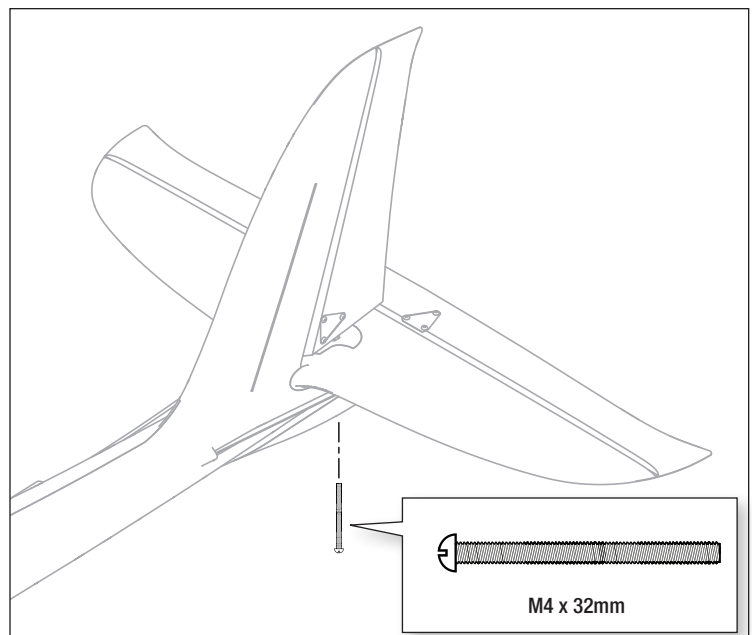
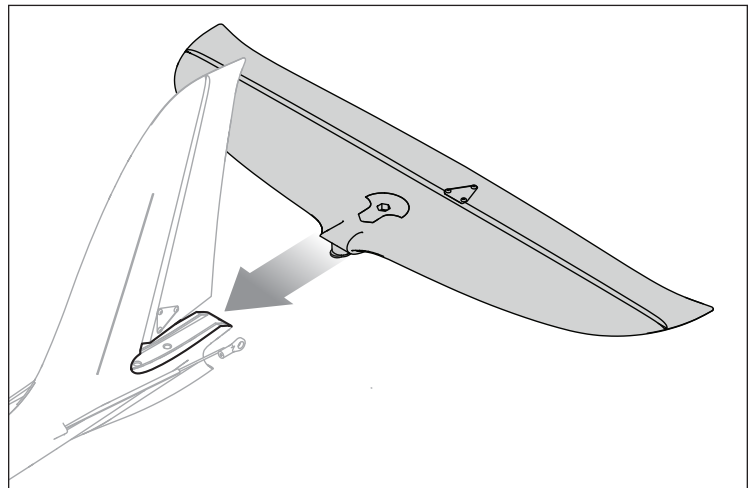
7. Tenere premuta l'icona della freccia indietro nell'angolo in alto a sinistra dello schermo per tornare alla schermata principale.
8. Andare nel menu **Model Adjust (Regola modello)**.
9. Impostare **Dual Rate ed Expo**: Selezionare **Aileron (Alettone)**
Impostare **Interruttore: Switch F**
Impostare **High Rates (Ratei alti): 100%, Expo 10% - Low Rates (Ratei bassi): 70%, Expo 5%**
10. Impostare **Dual Rate ed Expo**: Selezionare **Elevator (Equilibratore)**
Impostare **Interruttore: Switch C**
High Rates (Ratei alti): 100%, Expo 10% - Low Rates (Ratei bassi): 70%, Expo 5%
11. Impostare **Dual Rate ed Expo: Timone**
Impostare **Interruttore: Switch G**
High Rates (Ratei alti): 100%, Expo 10% — Low Rates (Ratei bassi): 70%, Expo 5%
12. Impostare **Throttle Cut (Taglio gas); Interruttore: Switch H, Posizione: -100%**

Assemblaggio del modello

Montaggio dello stabilizzatore orizzontale

1. Inserire lo stabilizzatore orizzontale nella fusoliera.
2. Inserire la vite M4 x 32 mm attraverso il fondo della fusoliera nello stabilizzatore orizzontale.
3. Utilizzare un cacciavite a croce per serrare la vite.
4. Collegare il giunto a sfera dell'asta di spinta dell'equilibratore utilizzando una pinza per attacchi a sfera.

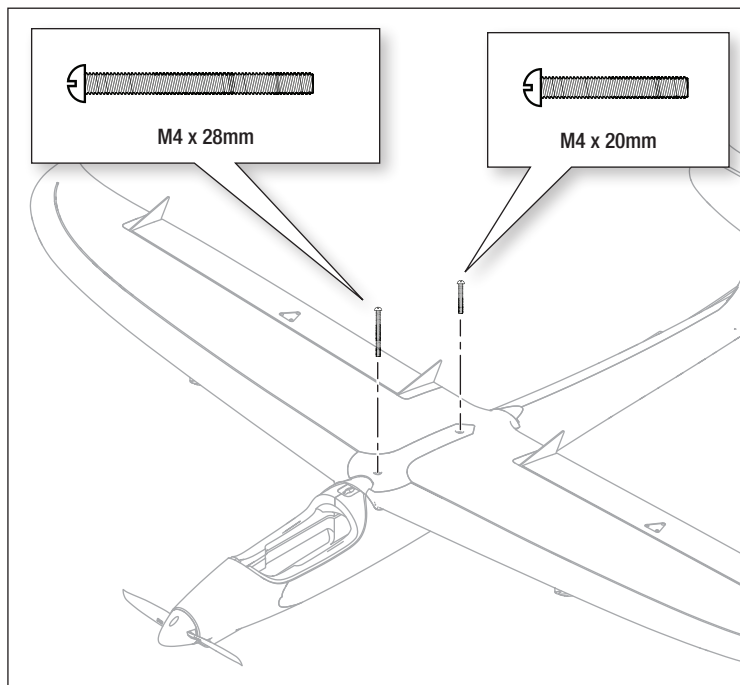
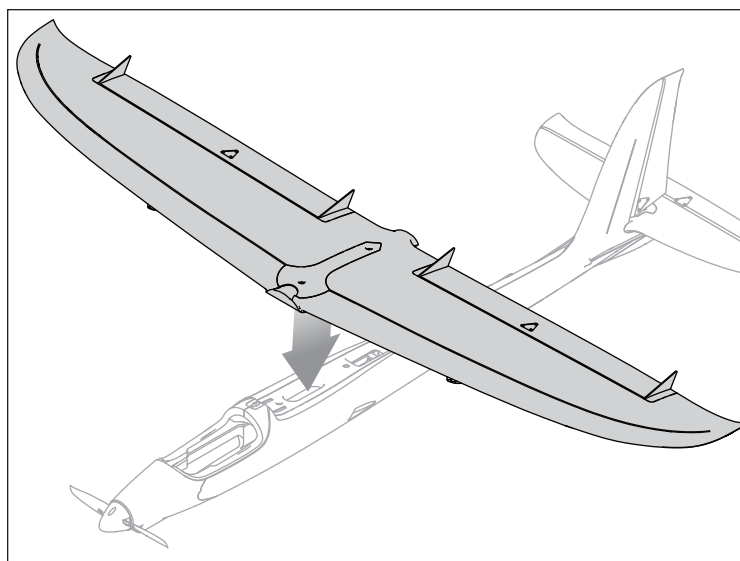
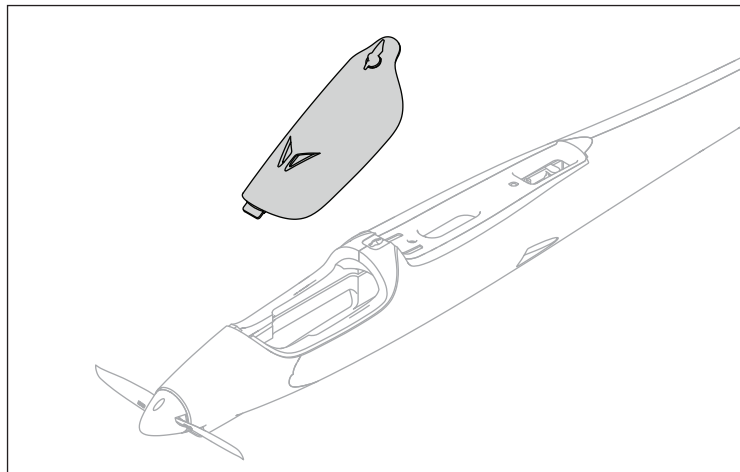
AVVISO: non serrare eccessivamente la vite.



Montaggio dell'ala

1. Rimuovere il portello della cappottina ruotando il fermo di 90° e sollevando il retro del portello.
2. Collegare i cavi dei servo dall'ala al cablaggio a Y fornito.
3. Collegare il cablaggio a Y al canale 2 del ricevitore.
4. Posizionare l'ala sulla sella alare.
5. Assicurarsi che i fili dei servo in eccesso siano infilati nella tasca del ricevitore e vengano schiacciati.
6. Utilizzare un cacciavite a croce per fissare l'ala alla fusoliera con due viti M4 x 28 mm (anteriori) e M4 x 20 mm (posteriori).

AVVISO: non serrare eccessivamente le viti.



Installazione del ricevitore: PNP

Per questo modello si consiglia il ricevitore Spektrum AR631+. Se si sceglie di installare un ricevitore diverso, assicurarsi che si tratti di un modello a piena portata con almeno 6 canali. Fare riferimento al manuale del ricevitore in uso per le istruzioni di installazione e uso.

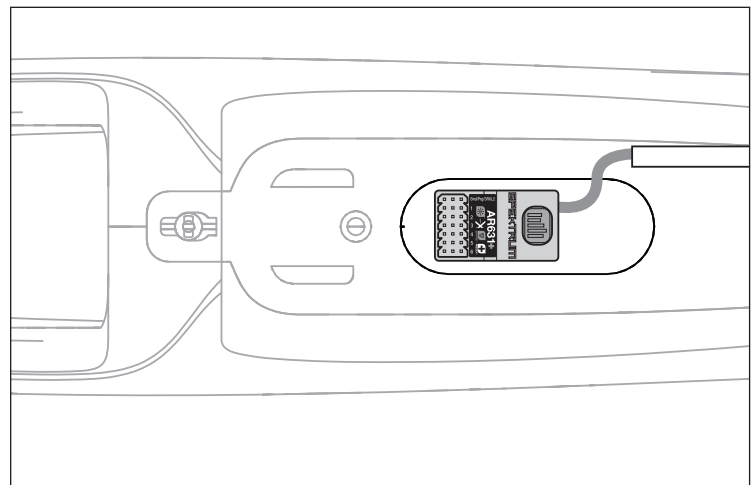
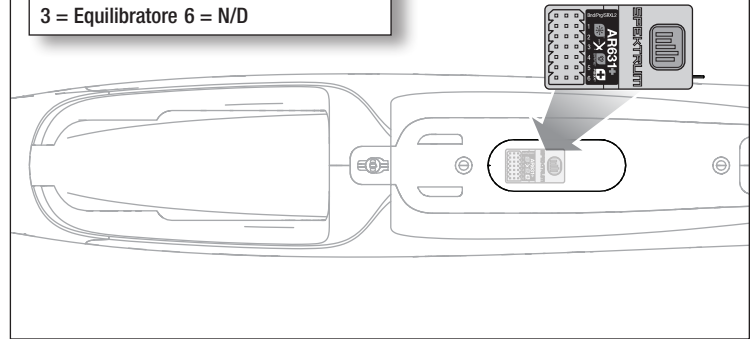
Installazione del ricevitore AR631+

1. Ruotare il fermo della cappottina e sollevare il retro della cappottina per rimuoverla dalla fusoliera.
2. Collegare le superfici di controllo alle rispettive porte sul ricevitore come indicato nella tabella a destra.
3. Utilizzando nastro biadesivo, montare il ricevitore nel vano sotto l'ala. Il ricevitore deve essere montato parallelo alla lunghezza della fusoliera, con l'etichetta rivolta verso l'alto e le porte dei servo verso il muso del velivolo, come mostrato. L'orientamento del ricevitore è di importanza critica per tutte le configurazioni delle tecnologie AS3X+ e SAFE®.
4. Inserire l'antenna nel tubo dell'antenna.

ATTENZIONE: l'installazione errata del ricevitore può causare perdita di controllo e schianto al suolo.

Assegnazione porte AR631+ Bnd/Prg/SRXL2

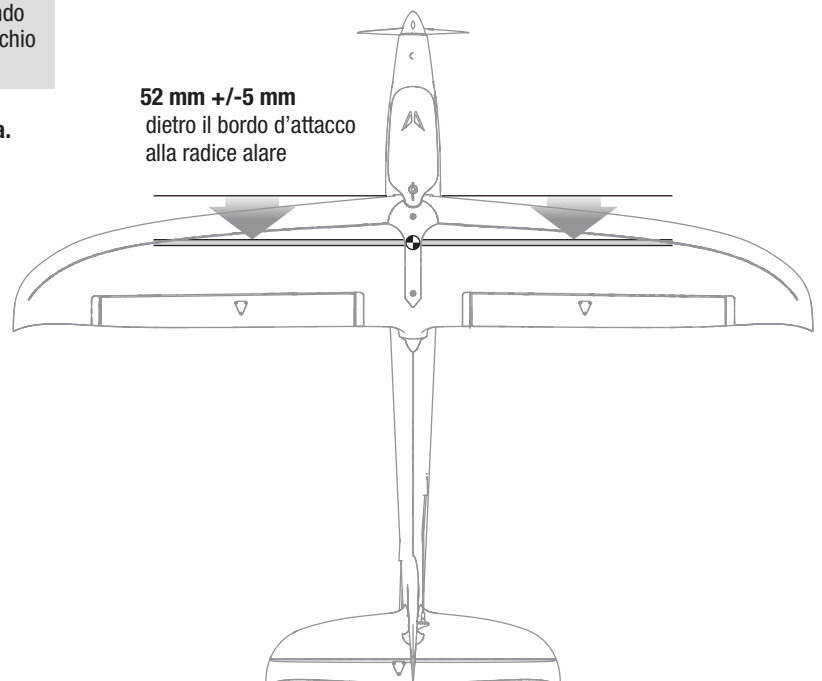
- | | |
|-------------------|------------|
| 1 = Gas | 4 = Timone |
| 2 = Alettoni | 5 = N/D |
| 3 = Equilibratore | 6 = N/D |



Baricentro (CG)

AVVERTENZA: montare la batteria, ma senza collegarla all'ESC, quando si procede alla verifica della posizione del CG. Si corre altrimenti il rischio di incorrere in lesioni personali.

La posizione del CG è a 52 mm +/-5 mm dietro il bordo di attacco alare.
Controllare la posizione del CG con il modello in posizione non capovolta.



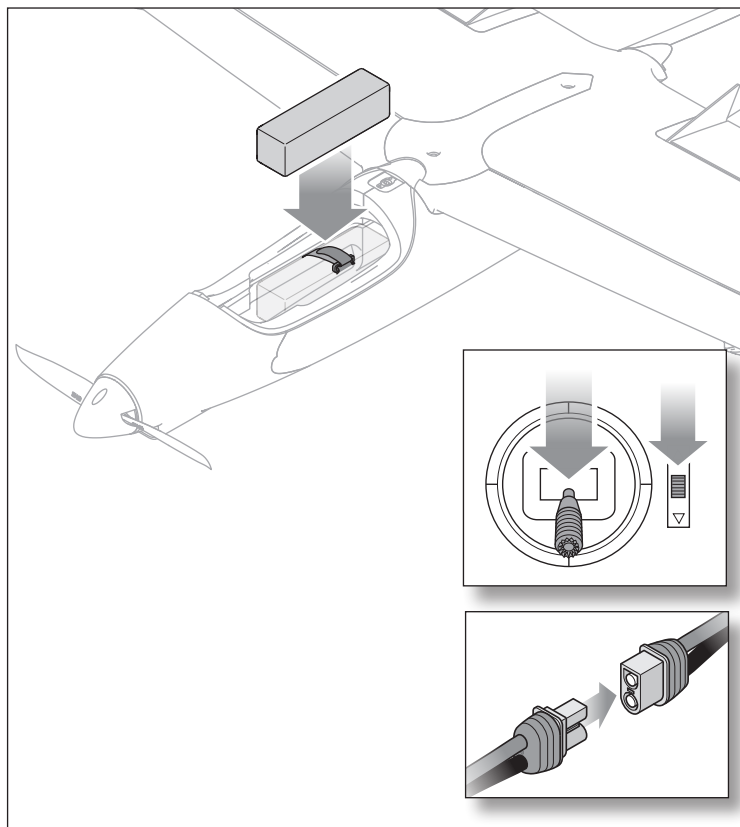
Battery Installation and ESC Arming

Si consiglia di utilizzare una batteria LiPo 4S 2200 mAh 30C con connettore IC3. In caso di utilizzo di una batteria diversa, assicurarsi che questa abbia capacità, dimensioni e peso analoghi. Assicurarsi sempre che il baricentro (CG) si trovi nel punto indicato, qualunque sia la batteria scelta.

1. Applicare il lato morbido della fascetta a strappo alla parte inferiore della batteria.
2. Ruotare il fermo della cappottina e sollevare il retro della cappottina per rimuoverla.
3. Accendere la trasmittente e attendere 5 secondi.
4. Abbassare la manetta portandola nella posizione inferiore.
5. Installare la batteria completamente carica nel vano batteria come mostrato. *Vedere le istruzioni per la regolazione del baricentro per maggiori informazioni.*
6. Fissare la batteria con la fascetta a strappo.
7. Collegare l'ESC al connettore IC3 del cavo di alimentazione della batteria, verificando che la polarità sia corretta. L'ESC emette un segnale acustico di apertura.
 - La prima serie di toni, 1 bip per ciascuna cella della batteria LiPo collegata.
 - Segnale acustico crescente di chiusura.

AVVISO: collegare la batteria all'ESC con polarità errata danneggerà l'ESC e invaliderà la garanzia.

8. L'ESC è ora pronto per l'uso.
9. Rimontare la cappottina sulla fusoliera. Ruotare il fermo per fissarlo in posizione.



Consigli generali per binding e failsafe

- Il ricevitore incluso è stato programmato specificamente per questo aeromodello. In caso di sostituzione del ricevitore, consultare il manuale del ricevitore per impostarlo correttamente.
- Tenersi lontani da grandi oggetti metallici durante il binding.
- Non puntare l'antenna della trasmittente direttamente al ricevitore durante la connessione.
- Il LED rosso sul ricevitore inizia a lampeggiare rapidamente quando il ricevitore entra in modalità di binding.

- Una volta collegato, il ricevitore mantiene le impostazioni di binding per la trasmittente a cui è stato associato fino a quando non si ripete al procedura di binding.
- Il failsafe si attiva se il ricevitore perde la comunicazione con la trasmittente. Il failsafe sposta il canale del gas in posizione di gas basso. I canali di rollio e beccheggio si muovono per stabilizzare il modello in una virata discendente.
- In caso di problemi, consultare la guida alla risoluzione dei problemi o, se necessario, contattare il servizio di assistenza di Horizon Hobby.

Connessione fra trasmittente e ricevente / Commutare ON e OFF il SAFE Select

La versione BNF Basic di questo modello include la tecnologia SAFE Select, che consente di scegliere il livello di protezione dell'involuppo di volo. La modalità SAFE permette di impostare limiti di angolo e il ritorno automatico al volo livellato. La modalità AS3X+ fornisce al pilota una risposta diretta agli stick di comando. SAFE Select viene abilitato o disattivato durante il processo di binding. Con SAFE Select disabilitato l'aereo è sempre in modalità AS3X+. Con SAFE Select abilitato l'aereo è sempre in modalità SAFE Select, oppure è possibile assegnare un interruttore per passare tra le modalità SAFE Select e AS3X+.

Grazie alla tecnologia SAFE Select, questo modello può dunque essere impostato in modalità SAFE non disinseribile, in modalità AS3X+ non disinseribile oppure è

possibile assegnare a un interruttore la commutazione tra una modalità e l'altra.

IMPORTANTE: prima del binding, leggere in questo manuale la sezione relativa alle impostazioni della trasmittente e seguire la relativa tabella per programmare la trasmittente in modo corretto per questo modello.

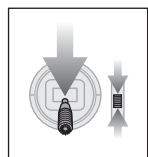
IMPORTANTE: spostare i comandi di volo della trasmittente (timone, equilibratori e alettoni) e il trim del gas in posizione neutra. Spostare il gas in basso prima e durante il binding.

Per completare la procedura di binding e SAFE Select, è possibile utilizzare il pulsante di binding sul ricevitore o il connettore di binding convenzionale.

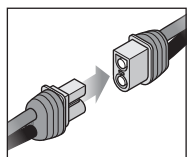
SAFE Select può essere attivato tramite il menu Forward Programming.

Uso del pulsante di binding...

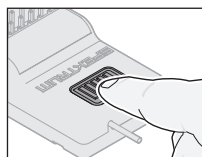
SAFE Select attivato



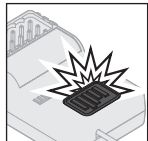
Abbassare il gas



Collegare l'alimentazione



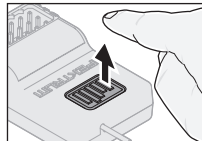
Premere e tenere premuto il pulsante di binding



Il LED arancione lampeggia



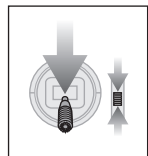
Procedere con il binding tra TX e RX



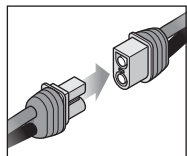
Rilasciare il pulsante di binding

SAFE SELECT ATTIVATO: le superfici di controllo si muovono avanti e indietro **due volte** con una leggera pausa in posizione neutra ogni volta che il ricevitore viene acceso.

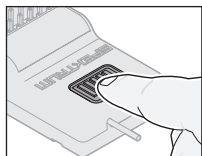
SAFE Select disattivato



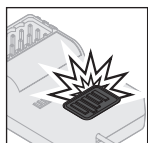
Abbassare il gas



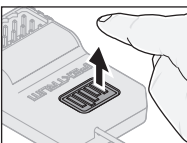
Collegare l'alimentazione



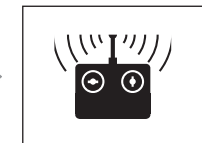
Premere il pulsante di binding



Il LED arancione lampeggia



Rilasciare il pulsante di binding

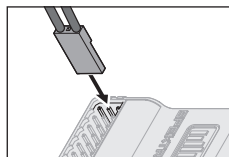


Procedere con il binding tra TX e RX

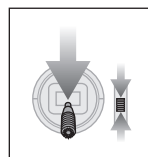
SAFE SELECT DISATTIVATO: le superfici di controllo si muovono avanti e indietro **una volta** ogni volta che il ricevitore viene acceso.

Rimuovere il connettore di binding...

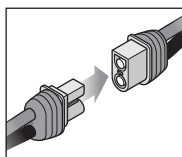
SAFE Select attivato



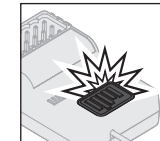
Installare il connettore di binding



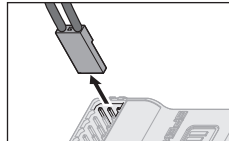
Abbassare il gas



Collegare l'alimentazione



Il LED arancione lampeggia



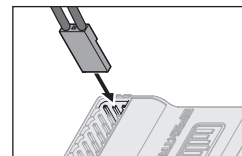
Rimuovere il connettore di binding



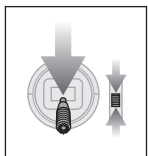
Procedere con il binding tra TX e RX

SAFE SELECT ATTIVATO: le superfici di controllo si muovono avanti e indietro **due volte** con una leggera pausa in posizione neutra ogni volta che il ricevitore viene acceso.

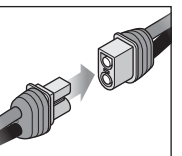
SAFE Select disattivato



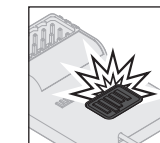
Installare il connettore di binding



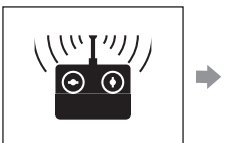
Abbassare il gas



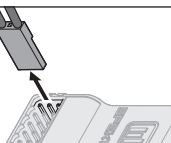
Collegare l'alimentazione



Il LED arancione lampeggia



Procedere con il binding tra TX e RX



Rimuovere il connettore di binding

SAFE SELECT DISATTIVATO: le superfici di controllo si muovono avanti e indietro **una volta** ogni volta che il ricevitore viene acceso.

Differenze tra le modalità SAFE e AS3X+

Questa sezione è in linea di massima accurata, ma non tiene conto della velocità di volo, del livello di carica della batteria e di molti altri fattori limitanti.

	SAFE Select	AS3X+	
Input di comando	Stick di comando a punto neutro	Il velivolo torna automaticamente in volo livellato	Il velivolo mantiene l'assetto corrente
	Applicazione minima dei comandi	Il velivolo applica angoli moderati di rollio e beccheggio e mantiene l'assetto	Il velivolo continua una lenta manovra di rollio o beccheggio
	Piena applicazione dei comandi	Il velivolo si inclina od oscilla ai limiti predeterminati mantenendo l'assetto	Il velivolo continua una rapida manovra di rollio o beccheggio

Il modo migliore per abilitare SAFE Select è tramite il menu Forward Programming. La tecnologia SAFE® può essere facilmente assegnata a qualsiasi interruttore aperto (2 o 3 posizioni) sulla trasmittente. In questo modo è possibile abilitare o disabilitare la tecnologia durante il volo.

IMPORTANTE: prima di assegnare l'interruttore desiderato, accertarsi che la corsa sia su quel canale al 100% in entrambe le direzioni e che alettone, elevatore, timone e manetta siano tutti su rateo alto con corsa al 100%. Disattivare il blocco manetta se questo è programmato nella trasmittente.

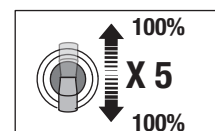
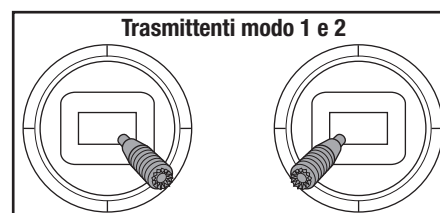
ATTENZIONE: tenersi ben lontani dall'elica e assicurarsi che il velivolo sia ben trattenuto in caso di attivazione accidentale del gas.

Assegnazione di un interruttore

1. Connettere la trasmittente al velivolo per attivare SAFE Select. Questo permetterà l'assegnazione di SAFE Select a un interruttore.
2. Tenere entrambi gli stick della trasmittente in basso e verso l'interno mentre si commuta l'interruttore scelto per 5 volte (1 commutazione = corsa completa in su e giù) per assegnare quell'interruttore. Le superfici di controllo del velivolo si muoveranno, indicando che l'interruttore è stato assegnato.

Ripetere la procedura per assegnare un interruttore diverso o per disattivare l'interruttore di corrente, se desiderato.

CONSIGLIO: SAFE Select può essere assegnato a uno qualunque dei canali 5-9 disponibili.



Verifica della direzione delle superfici di controllo

Accendere la trasmittente e collegare la batteria. Usare la trasmittente per azionare i comandi di alettoni, equilibratore e timone. Verificare il movimento delle superfici di controllo guardando il velivolo dal retro.

Equilibratore


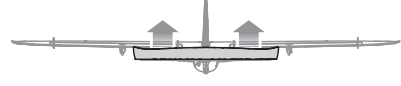

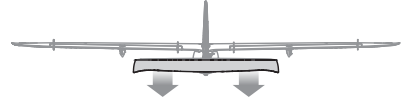
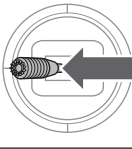
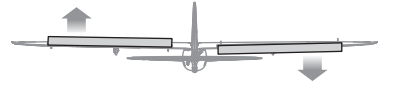
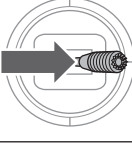
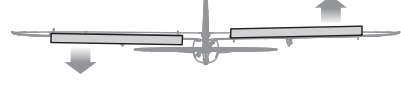
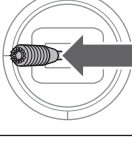
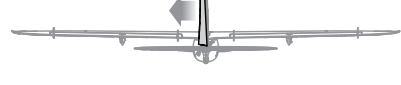
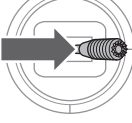
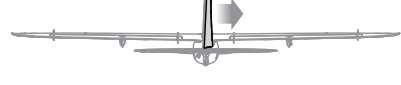
1. Tirare a sé lo stick dell'equilibratore. Gli equilibratori devono muoversi verso l'alto, manovra che induce beccheggio verso l'alto.
2. Spingere lo stick dell'equilibratore in avanti. Gli equilibratori devono muoversi verso il basso, manovra che induce beccheggio verso il basso.

Alettoni

1. Muovere lo stick degli alettoni a sinistra. L'alettone di sinistra deve muoversi verso l'alto e quello di destra verso il basso, manovra che induce il velivolo a inclinarsi a sinistra.
2. Muovere lo stick degli alettoni a destra. L'alettone destro deve muoversi verso l'alto e quello di sinistra verso il basso, manovra che induce il velivolo a inclinarsi a destra.

Timone

1. Muovere lo stick del timone a sinistra. Il timone deve spostarsi a sinistra, manovra che induce l'imbardata del velivolo a sinistra.
2. Spostare lo stick del timone a destra. Il timone deve spostarsi a destra, manovra che induce l'imbardata del velivolo a destra.

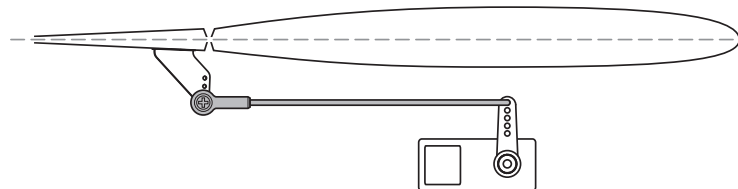
	Comando trasmittente	Risposta della superficie di controllo (visto da dietro)
Alettoni		
		
Elevatori		
		
Timone		
		

Centraggio delle superfici di controllo

Completato il montaggio e configurata la trasmittente, verificare che le superfici di controllo siano centrate. Se non lo sono, centrarle meccanicamente intervenendo sulla lunghezza delle aste di rinvio.

Se sono necessarie regolazioni, girare il giunto sferico sulla tiranteria per intervenire sulla lunghezza del collegamento tra la squadretta del servo e la squadretta di controllo. Per la rimozione e la sostituzione degli attacchi a sfera si consiglia l'uso di pinze per attacchi a sfera.

Eseguito il binding tra la trasmittente e il ricevitore del modello, impostare trim e sub-trim a 0, quindi regolare gli attacchi a sfera per centrare le superfici di controllo.



Impostazione squadrette e bracci servi

La tabella qui a destra mostra le impostazioni di fabbrica per le squadrette e i bracci dei servi. Prima di fare cambiamenti, far volare l'aereo con questa impostazione.

AVVISO: se si cambiano le corse dei comandi rispetto alle impostazioni di fabbrica, è necessario modificare anche i valori di sensibilità sulla ricevente AR631+. Per fare queste regolazioni si faccia riferimento al manuale della ricevente Spektrum AR631+.

Dopo aver volato, potrebbe essere necessario regolare la posizione dei rinvii per avere la risposta ai comandi desiderata. Si veda la tabella qui a destra.

Impostazioni di fabbrica	Squadrette di controllo	Bracci dei servo
Alettone		
Elevatore		
Timone		

Duale Rate (riduttori di corsa) e corsa dei comandi

Programmare la trasmittente per impostare i ratei e le corse dei comandi in funzione al proprio livello di esperienza. Tali valori sono stati verificati e sono un buon punto di partenza per volare con successo sin dalla prima volta.

Una volta presa sufficiente dimestichezza, è possibile personalizzare i valori per ottenere la risposta ai comandi desiderata.

	Riduttore basso	Riduttore alto
Alettone	▲ = 9mm ▼ = 6mm	▲ = 11mm ▼ = 8mm
Elevatore	▲ = 12mm ▼ = 12mm	▲ = 17mm ▼ = 17mm
Timone	▶ = 25mm ◀ = 25mm	▶ = 32mm ◀ = 32mm

Spegnimento per bassa tensione (LVC)

Se si scarica una batteria LiPo al di sotto di 3 V per cella, in seguito non riuscirà più a mantenere la carica. Per proteggere la batteria di bordo dalla sovrascarica questo modello adotta il sistema LVC che toglie alimentazione al motore qualora la tensione della batteria scendesse troppo. Considerando che una parte dell'energia contenuta nella batteria serve ad alimentare il sistema di controllo del modello.

Quando il regime del motore scende e sale veloce vuol dire che il sistema LVC avvisa che la tensione della batteria è scesa sotto il livello minimo, quindi bisogna atterrare nel modo più rapido e sicuro possibile.

Scollegare sempre e togliere le batterie LiPo dall'aereo dopo ogni volo. Prima di riportarle bisogna caricarle a metà, verificando che ogni cella non scenda sotto i 3V. Se non si scollegano le batterie LiPo dal regolatore, si scaricano lentamente fino alla scarica completa, danneggiandosi.

Per i primi voli impostare il timer del trasmettitore o di un altro contatempo, a 4 minuti. Nei voli successivi si aumenterà o diminuirà questo tempo basandosi su quanto rilevato nei primi voli del modello.

AVVISO: continuare a volare dopo l'avviso LVC potrebbe danneggiare le batterie.

Verificare il verso dei controlli AS3X+

Questa prova serve per assicurarsi che il sistema AS3X+ funzioni correttamente. Prima di fare questa prova, montare l'aereo e connettere (bind) la trasmittente con la ricevente.

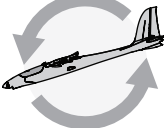
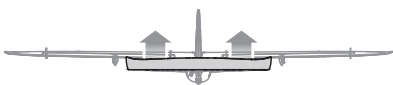
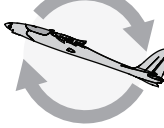
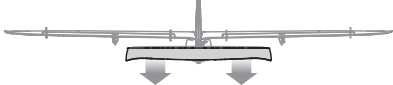

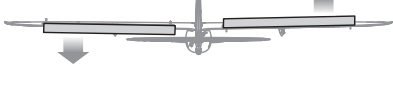

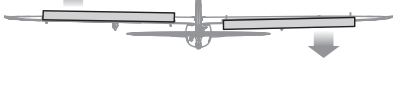
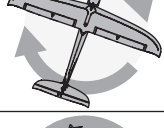
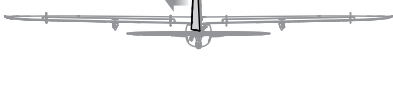


1. Attivare il sistema AS3X+ alzando il comando motore oltre il 25% e poi abbassandolo completamente.

ATTENZIONE: tenere parti del corpo, capelli e lembi di vestiario non aderente lontani dall'elica, per evitare che possano impigiarsi.

2. Muovere l'aereo come indicato per accertarsi che le superfici di controllo si muovano come indicato nell'illustrazione. Se le superfici di controllo non dovessero rispondere nel modo indicato, non fare volare l'aereo. Per maggiori informazioni si vedano le istruzioni della ricevente.

Quando il sistema AS3X+ è attivo, le superfici di controllo dell'aereo si muovono rapidamente. Questo è normale. L'AS3X+ resterà attivo finché non si scollega la batteria.

A causa dei diversi effetti di coppia, portanza e resistenza aerodinamica, alcuni modelli richiedono variazioni di trim in base alle variazioni impostazioni di velocità e gas. I mix sono precaricati nel ricevitore per compensare questi cambiamenti. I mix diventano attivi la prima volta che la manetta viene alzata oltre il 25%. Le superfici di controllo possono risultare leggermente sfalsate alle diverse impostazioni del gas quando la manetta viene alzata per la prima volta. Il trimmaggio del modello in volo andrebbe condotto all'80-100% del gas per ottenere i migliori risultati.

	Movimento degli aerei	Reazione AS3X+
Elevatore		
		
Alettone		
		
Direzionale		
		

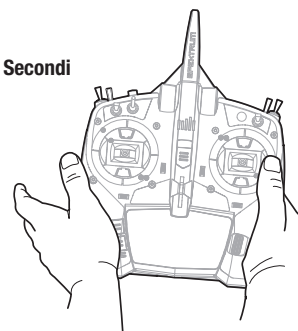
Trimmaggio in volo

Durante il primo volo, trimmare l'aereo in modo che voli livellato. Applicare lievi correzioni ai trim tramite i relativi interruttori della trasmittente per ottenere una traiettoria rettilinea.

Dopo aver regolato i trim, non toccare gli stick di comando per almeno 3 secondi. Questo permette alla ricevente di memorizzare le correzioni per ottimizzare le prestazioni dell'AS3X+.

Se non si fa questo, si potrebbe influire sulle prestazioni in volo.

3 Secondi

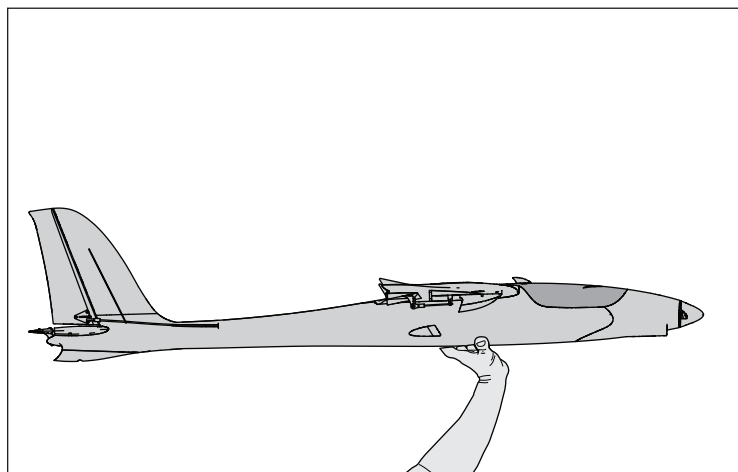


Modalità di lancio a mano assistito

La versione BNF Basic dell'ElectroStreak è dotata della modalità di lancio a mano assistito che elimina lo stress del lancio a mano. Il sistema lavora in background per livellare le ali e impostare il modello in un assetto di cabrata positivo, anche dopo un lancio a mano non perfetto.

Per attivare la modalità di lancio a mano assistito:

1. Assicurarsi che SAFE Select sia abilitato.
2. Impostare il modello in modalità SAFE.
3. Avanzare la manetta oltre il 70%.
4. Lanciare a mano il modello come si farebbe normalmente. L'accelerazione del lancio attiva automaticamente la modalità di assistenza, livellando le ali e impostando il modello in un assetto di cabrata.
5. Dopo alcuni secondi di volo, il sistema si disattiva automaticamente e torna alla normale modalità SAFE.
6. Il sistema si resetta automaticamente dopo l'atterraggio quando la manetta viene ridotta sotto il 5% e il modello rimane fermo per più di 5 secondi.



Consigli per il volo e riparazioni

Consultare leggi e normative locali prima di scegliere il punto di involo del modello.

Prova di portata del radiocomando

Prima di andare in volo è necessario fare una prova di portata del radiocomando. Per maggiori informazioni si rimanda al manuale della trasmittente.

Oscillazione

Quando il sistema AS3X+ è attivo (dopo aver portato in avanti la manetta per la prima volta), le superfici di controllo reagiscono ai movimenti dell'aeromodello. In determinate condizioni di volo è possibile che si verifichino delle oscillazioni (l'aeromodello oscilla avanti e indietro su di un asse a causa di un sovracontrollo). In caso di oscillazioni, consultare la guida alla risoluzione dei problemi per maggiori informazioni.

Decollo

Selezionare i ratei bassi. Tenere la fusoliera sotto all'ala e aumentare gradualmente fino a piena manetta. Lanciare il velivolo in aria con le ali allo stesso livello. Lasciare che il modello raggiunga la velocità di involo, quindi tirare indietro delicatamente l'equilibratore e salire a una quota di sicurezza.

Volo

Scegliere sempre un ampio spazio aperto. Questo modello raggiunge velocità superiori e per questo richiede più spazio in volo rispetto alla maggior parte degli altri modelli in schiuma. L'ideale è volare su un campo di volo approvato. Evitare sempre di volare vicino a case, alberi, edifici e cavi. Fare inoltre attenzione a evitare aree molto frequentate come parchi affollati, cortili di scuole o campi sportivi.

Atterraggio

Per i primi voli con la batteria consigliata (SPMX224S30), impostare il timer della trasmittente o un cronometro a 4 minuti (4:00), quindi riportare il velivolo al suolo. Dopo i primi voli si potrà aumentare o diminuire il tempo in base ai risultati ottenuti.

Se il motore sembra singhiozzare, atterrare immediatamente e ricaricare la

batteria di bordo. Vedere la sezione "Spegnimento per bassa tensione (LVC)" per maggiori informazioni su come massimizzare efficacia e autonomia della batteria. Virare il velivolo controvento e ridurre la manetta. Usare la manetta per controllare la velocità di discesa durante la fase di avvicinamento per l'atterraggio. Mantenere le ali a livello e l'aeromodello rivolto controvento. Avvicinandosi a circa 1 metro di altezza, diminuire la manetta e iniziare la richiamata riducendo l'azione dell'equilibratore. Continuare a esercitare una contropressione sull'equilibratore per far scendere delicatamente il velivolo sulla superficie di atterraggio.

AVVISO: nell'imminenza di un impatto, togliere completamente trim e motore. In caso contrario, il rischio di danni a cellula, ESC e motore aumenta.

AVVISO: dopo un impatto, verificare che il ricevitore sia rimasto al suo posto in fusoliera. Se è necessario sostituire il ricevitore, prestare attenzione a montare quello nuovo nella stessa posizione e con lo stesso orientamento di quello originale, per evitare il rischio di danni.

AVVISO: la garanzia non copre i danni causati dallo schianto al suolo.

AVVISO: concluso il volo, non lasciare mai l'aeromodello direttamente esposto al sole e non riporlo in luoghi chiusi ed eccessivamente caldi, come per esempio un'auto. Farlo può danneggiarlo.

Dopo il volo

Scollegare la batteria di bordo dall'ESC (precauzione di sicurezza e per la tutela della durata della batteria).

Spegnere la trasmittente.

Rimuovere la batteria di bordo dal modello.

Ricaricare la batteria di bordo al livello di tensione di stoccaggio.

Riparare o sostituire le parti eventualmente danneggiate.

Conservare la batteria di bordo separata dall'aereo e tenerne sotto controllo la carica.

Tenere nota delle condizioni del volo e dei risultati per pianificare i voli successivi.

Manutenzione del gruppo propulsore

ATTENZIONE: scollegare sempre la batteria di bordo prima di eseguire interventi di manutenzione su uno qualsiasi dei componenti del gruppo di propulsione.

Smontaggio

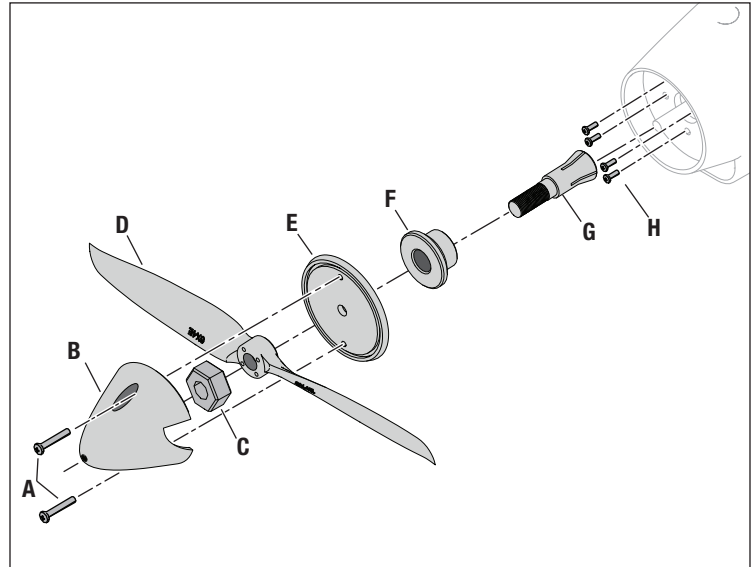
1. Rimuovere la capottina per accedere ai componenti del sistema di potenza.
2. Rimuovere le due viti M2.5 x 6 mm (testa Phillips) **(A)** e l'ogiva **(B)**.
3. Usare una chiave per rimuovere il dado dell'ogiva **(C)**, dopodiché rimuovere l'elica **(D)**, la piastra posteriore dell'ogiva **(E)**, il mozzo posteriore **(F)** e il collare **(G)** dall'albero motore.
4. Rimuovere le quattro viti da M3 x 6 mm **(H)** e il motore dalla fusoliera.
5. Far scorrere con cautela il regolatore ESC dalla parte superiore della fusoliera.
6. Scollegare il cavo della manetta dal ricevitore e sollevare l'ESC dalla fusoliera, prendendo nota del percorso dei cavi elettrici e della manetta attraverso la fusoliera.

Montaggio

Montare in ordine inverso.

- Allineare e collegare i fili del motore con i fili dell'ESC rispettando la corrispondenza dei colori.
- Assicurarsi che nessun filo venga schiacciato dai componenti elettrici.
- Assicurarsi che l'elica sia installata con i numeri indicanti la misura (8 x 8E) rivolti in avanti.
- Assicurarsi che l'ogiva sia ben fissata in modo da garantire il funzionamento in sicurezza.

IMPORTANTE: lasciare che i componenti del modello si raffreddino tra un volo e l'altro.



Guida alla risoluzione dei problemi con l'AS3X+

Problema	Possibile causa	Soluzione
Oscillazioni	Elica o ogiva danneggiate	Sostituire l'elica o l'ogiva
	Elica sbilanciata	Bilanciare l'elica
	Vibrazioni del motore	Sostituire o allineare correttamente tutte le parti stringendo le relative viti
	Ricevente non fissata bene	Sistemare e fissare la ricevente adeguatamente nella fusoliera
	Comandi allentati	Verificare e fissare bene tutte le parti (servi, squadrette, rinvi, comandi, ecc.)
	Parti usurate	Sostituire le parti usurate (specialmente l'elica, l'ogiva o servocomandi)
	Rotazione irregolare dei servocomandi	Sostituire il servocomando
Prestazioni di volo non coerenti	Trim non centrato	Se fosse necessario spostare il trim per più di 8 click, allora conviene regolare la forcella e riportare il trim al centro
	Sub-trim non centrato	I sub trim non sono permessi. Regolare i rinvi dei servocomandi
	L'aereo non è rimasto immobile per 5 secondi dopo la connessione della batteria	Scollegare e ricollegare la batteria mantenendo l'aereo immobile per almeno 5 secondi con lo stick motore completamente in basso
Risposta non corretta al controllo della direzione dei comandi sull'AS3X+	Impostazione sbagliata delle direzioni sulla ricevente che può causare un incidente	NON volare. Prima di mandare in volo il modello, correggere le direzioni facendo riferimento al manuale della ricevente

Guida alla risoluzione dei problemi

Problema	Possibile causa	Soluzione
L'aereo non risponde al comando motore, ma gli altri comandi rispondono	Lo stick motore e/o il suo trim non sono posizionati in basso	Resettare i comandi con stick e trim motore completamente in basso
	La corsa del servo è minore del 100%	Regolare la corsa ad almeno il 100%
	Il canale del motore è invertito	Invertire il canale del motore
	Il motore è scollegato dal ricevitore	Verificare all'interno della fusoliera che il motore sia collegato al ricevitore
Rumore e vibrazioni dell'elica oltre la norma	Elica, motore, ogiva, adattatore danneggiati	Sostituire le parti danneggiate
	L'elica è sbilanciata	Bilanciare o sostituire l'elica
	La vite dell'elica è allentata	Serrare la vite del rotore
Durata del volo ridotta o aereo sottopotenziato	Batteria di bordo quasi scarica	Ricaricare la batteria di bordo
	Batteria di bordo danneggiata	Sostituire la batteria di bordo e seguire le istruzioni
	Ambiente di volo troppo freddo	Verificare che la batteria sia tiepida prima del volo
	La capacità della batteria è troppo bassa per le condizioni di volo	Sostituire la batteria con una più grande
L'aereo non si connette (durante il "binding") al trasmettitore	Il trasmettitore è troppo vicino all'aereo durante la procedura	Spegnere il trasmettitore e allontanarlo maggiormente dall'aereo e poi rifare la procedura
	Il trasmettitore è troppo vicino a grossi oggetti metallici, a sorgenti WiFi o ad altri trasmettitori	Spostare l'aereo e il trasmettitore in un'altra posizione e poi rifare la procedura
	Il "bind plug" non è stato inserito correttamente	Inserire correttamente il "bind plug" e poi rifare la procedura
	Le batterie di trasmettitore/ricevitore sono quasi scariche	Sostituire/ricaricare le batterie
	Il pulsante o l'interruttore appositi non sono stati trattenuti in posizione, abbastanza a lungo, durante la procedura	Spegnere il trasmettitore e rifare la procedura trattenendo più a lungo il pulsante o l'interruttore appositi
L'aereo non si connette (dopo il "binding") al trasmettitore	Il trasmettitore è troppo vicino all'aereo durante la procedura	Spegnere il trasmettitore e allontanarlo maggiormente dall'aereo e poi rifare la procedura
	Il trasmettitore è troppo vicino a grossi oggetti metallici, a sorgenti WiFi o ad altri trasmettitori	Spostare l'aereo e il trasmettitore in un'altra posizione e poi rifare la procedura
	Il "bind plug" è rimasto inserito nella sua porta	Rifare la procedura e poi togliere il "bind plug" prima di spegnere e riaccendere
	L'aereo è connesso con una memoria diversa (solo radio ModelMatch)	Scegliere la memoria giusta sul trasmettitore e rifare la procedura
	Le batterie dell'aereo e del trasmettitore sono quasi scariche	Sostituire o ricaricare le batterie
	Il trasmettitore potrebbe essere stato connesso ad un aereo diverso con un altro protocollo DSM	Connettere l'aereo al trasmettitore
Le superfici di controllo non si muovono	Superfici di comando, squadrette, comandi o servi danneggiati	Riparare o sostituire le parti danneggiate
	Fili danneggiati o connessioni allentate	Controllare i fili e le connessioni facendo poi le debite riparazioni
	Trasmettitore non connesso correttamente o scelta del modello sbagliato	Scegliere il modello giusto o rifare la connessione
	La batteria di bordo è scarica	Ricaricare completamente la batteria di bordo
	Il BEC del regolatore (ESC) è danneggiato	Sostituire l'ESC
Controlli invertiti	Le impostazioni sul trasmettitore sono invertite	Eseguire il controllo sulla direzione dei comandi e sistemare adeguatamente il trasmettitore

Parti di ricambio

Numero parte	Descrizione
EFL1335001	Fusoliera: ElectroStreak 1.1m
EFL1335002	Ala: ElectroStreak 1.1m
EFL1335003	Stabilizzatore: ElectroStreak 1.1m
EFL1335004	Portello: ElectroStreak 1.1m
EFL1335005	Ogiva: ElectroStreak 1.1m
EFL1335006	Set viteria: ElectroStreak 1.1m
EFL1335007	Set aste comando: ElectroStreak 1.1m
EFL1335008	Set bracci servo: ElectroStreak 1.1m

Numero parte	Descrizione
EFL1335009	Adattatore elica: ElectroStreak 1.1m
APC08080E	Elica 8 x 8E
SPMSA111	Servo A111 13 g MG; Equilibratore e Timone: ElectroStreak 1.1m
SPMSA112	Servo A112 13 g MG; Alettone: ElectroStreak 1.1m
SPMXAE45D	ESC Avian 45A Smart Lite Brushless
SPMXAM4200	Motore Outrunner Brushless 3542-1000 Kv 14 poli
SPM-1031	Ricevitore AR631+

Articoli di completamento consigliati

Numero parte	Descrizione
SPMR7110	NX7e+ 7CH DSMX solo trasmettente
SPMX224S30	Batteria 14,8 V 2200 mAh 4S 30C Smart G2 LiPo: IC3

Numero parte	Descrizione
SPMXC2020	Caricabatterie Smart S1200 G2 CA, 1x200 W

Parti opzionali

Numero parte	Descrizione
SPMR8210	NX8+ 8CH DSMX solo trasmettente
SPMX223S30	Batteria 11,1 V 2200 mAh 3S 30C Smart LiPo: IC3
SPMX22003S30	Batteria 11,1 V 2200 mAh 3S 30C Smart LiPo: IC3
SPMX22004S30	Batteria 14,8 V 2200 mAh 4S 30C Smart LiPo: IC3

Numero parte	Descrizione
SPMXBC100	Tester per batterie LiPo Smart e servocomandi XBC100
SPMXC2040	Caricabatterie Smart S1400 G2 CA 1x400 W
SPMXC2010	Caricabatterie Smart S2200 G2 CA 2x200 W
BLH100	Pinze attacco sferico Deluxe

Elenco viteria

Posizione	Descrizione	Quantità
Ala; vite anteriore	Vite a testa Phillips M4 x 28 mm	1
Ala; vite posteriore	Vite a testa Phillips M4 x 20 mm	1
Viti motore	Vite a testa Phillips M3 x 6 mm	4
Viti stabilizzatore orizzontale	Vite a testa Phillips M4 x 32mm	1
Viti supporto motore	Vite a testa Phillips 2 x 10 mm	4
Dadi attacco sferico	M2	6
Viti attacco a sfera	Vite a testa Phillips M2 x 10 mm	4
Dado elica	M6	1
Rondella elica	Rondella M6	1
Dadi prigionieri ala e stabilizzatore	M4	3
Viti ogiva	M2.5 x 4 mm	2

Garanzia

Periodo di garanzia—Garanzia esclusiva - Horizon Hobby, LLC (Horizon) garantisce che il prodotto acquistato (il "Prodotto") sarà privo di difetti relativi ai materiali e di eventuali errori di montaggio alla data di acquisto. Il periodo di garanzia è conforme alle disposizioni legali del paese nel quale il prodotto è stato acquistato. Tale periodo di garanzia ammonta a 6 mesi e si estende ad altri 18 mesi dopo tale termine.

Limiti della garanzia—(a) La garanzia è limitata all'acquirente originale (Acquirente) e non è cedibile a terzi. L'acquirente ha il diritto a far riparare o a far sostituire la merce durante il periodo di questa garanzia. La garanzia copre solo quei prodotti acquistati presso un rivenditore autorizzato Horizon. Altre transazioni di terze parti non sono coperte da questa garanzia. La prova di acquisto è necessaria per far valere il diritto di garanzia. Inoltre, Horizon si riserva il diritto di cambiare o modificare i termini di questa garanzia senza alcun preavviso e di escludere tutte le altre garanzie già esistenti.

(b) Horizon non si assume alcuna garanzia per la disponibilità del prodotto, per l'adeguatezza o l'idoneità del prodotto a particolari previsti dall'utente. È sola responsabilità dell'acquirente il fatto di verificare se il prodotto è adatto agli scopi da lui previsti.

(c) Richiesta dell'acquirente — spetta soltanto a Horizon, a propria discrezione riparare o sostituire qualsiasi prodotto considerato difettoso e che rientra nei termini di garanzia. Queste sono le uniche rivalse a cui l'acquirente si può appellare, se un prodotto è difettoso.

Horizon si riserva il diritto di controllare qualsiasi componente utilizzato che viene coinvolto nella rivalsa di garanzia. Le decisioni relative alla sostituzione o alla riparazione sono a discrezione di Horizon. Questa garanzia non copre dei danni superficiali o danni per cause di forza maggiore, uso errato del prodotto, un utilizzo che viola qualsiasi legge, regolamentazione o disposizione applicabile, negligenza, uso ai fini commerciali, o una qualsiasi modifica a qualsiasi parte del prodotto.

Questa garanzia non copre danni dovuti ad un'installazione errata, ad un funzionamento errato, ad una manutenzione o un tentativo di riparazione non idonei a cura di soggetti diversi da Horizon. La restituzione del prodotto a cura dell'acquirente, o da un suo rappresentante, deve essere approvata per iscritto dalla Horizon.

Limiti di danno—Horizon non si riterrà responsabile per danni speciali, diretti, indiretti o consequenziali; perdita di profitto o di produzione; perdita commerciale connessa al prodotto, indipendentemente dal fatto che la richiesta si basa su un contratto o sulla garanzia. Inoltre la responsabilità di Horizon non supera mai in nessun caso il prezzo di acquisto del prodotto per il quale si chiede la responsabilità. Horizon non ha alcun controllo sul montaggio, sull'utilizzo o sulla manutenzione del prodotto o di combinazioni di vari prodotti. Quindi Horizon non accetta nessuna responsabilità per danni o lesioni derivanti da tali circostanze. Con l'utilizzo e il montaggio del prodotto l'utente acconsente a tutte le condizioni, limitazioni e riserve di garanzia citate in questa sede.

Qualora l'utente non fosse pronto ad assumersi tale responsabilità associata all'uso del prodotto, si suggerisce di restituire il prodotto intatto, mai usato e immediatamente presso il venditore.

Indicazioni di sicurezza—Questo è un prodotto sofisticato di hobbistica e non è un giocattolo. Esso deve essere manipolato con cautela, con giudizio e richiede delle conoscenze basilari di meccanica e delle facoltà mentali di base. Se il prodotto non verrà manipolato in maniera sicura e responsabile potrebbero risultare delle lesioni, dei gravi danni a persone, al prodotto o all'ambiente circostante. Questo prodotto non è concepito per essere usato dai bambini senza una diretta supervisione di un adulto. Il manuale del prodotto contiene le istruzioni di sicurezza, di funzionamento e di manutenzione del prodotto stesso. È fondamentale leggere e seguire tutte le istruzioni e le avvertenze nel manuale prima di mettere in funzione il prodotto. Solo così si eviterà un utilizzo errato e si preveniranno incidenti, lesioni o danni.

Domande, assistenza e riparazioni—Il vostro negozio locale e/o luogo di acquisto non possono fornire garanzie di assistenza o riparazione senza previo colloquio con Horizon. Questo vale anche per le riparazioni in garanzia. Quindi in tali casi bisogna interpellare un rivenditore, che si metterà in contatto subito con Horizon per prendere una decisione che vi possa aiutare nel più breve tempo possibile.

Manutenzione e riparazione—Se il prodotto deve essere ispezionato o riparato, si prega di rivolgersi ad un rivenditore specializzato o direttamente ad Horizon. Il prodotto deve essere imballato con cura. Bisogna far notare che i box originali solitamente non sono adatti per effettuare una spedizione senza subire alcun danno. Bisogna effettuare una spedizione via corriere che fornisce una tracciabilità e un'assicurazione, in quanto Horizon non si assume alcuna responsabilità in relazione alla spedizione del prodotto. Inserire il prodotto in una busta assieme ad una descrizione dettagliata degli errori e ad una lista di tutti i singoli componenti spediti. Inoltre abbiamo bisogno di un indirizzo completo, di un numero di telefono per chiedere ulteriori domande e di un indirizzo e-mail.

Garanzia e riparazione—Le richieste in garanzia verranno elaborate solo se è presente una prova d'acquisto in originale proveniente da un rivenditore specializzato autorizzato, nella quale è ben visibile la data di acquisto. Se la garanzia viene confermata, allora il prodotto verrà riparato o sostituito. Questa decisione spetta esclusivamente a Horizon Hobby.

Riparazioni a pagamento—Se bisogna effettuare una riparazione a pagamento, effettueremo un preventivo che verrà inoltrato al vostro rivenditore. La riparazione verrà effettuata dopo l'autorizzazione da parte del vostro rivenditore. La somma per la riparazione dovrà essere pagata al vostro rivenditore. Le riparazioni a pagamento avranno un costo minimo di 30 minuti di lavoro e in fattura includeranno le spese di restituzione. Qualsiasi riparazione non pagata e non richiesta entro 90 giorni verrà considerata abbandonata e verrà gestita di conseguenza.

ATTENZIONE: Le riparazioni a pagamento sono disponibili solo sull'elettronica e sui motori. Le riparazioni a livello meccanico, soprattutto per gli elicotteri e le vetture RC, sono molto costose e devono essere effettuate autonomamente dall'acquirente.

10/15

Garanzia e informazioni di contatto dell'assistenza

Stato di acquisto	Horizon Hobby	Telefono/Indirizzo e-mail	Indirizzo
Unione Europea	Horizon Technischer Service Sales: Horizon Hobby GmbH	service@horizonhobby.de +49 (0) 4121 2655 100	Hanskampring 9 D 22885 Barsbüttel, Germany

Dichiarazione di conformità per l'Unione europea



Dichiarazione di conformità UE:

EFL ElectroStreak PNP (EFL13375): Con la presente, Horizon Hobby, LLC dichiara che il dispositivo è conforme a quanto segue: Direttiva europea sulle apparecchiature radio (RED) 2014/53/ UE,

Direttiva RoHS 2 2011/65 / UE, Direttiva RoHS 3 - Modifica 2011/65 / UE allegato II 2015/863.

EFL ElectroStreak BNF-Basic (EFL13350): Con la presente, Horizon Hobby, LLC dichiara che il dispositivo è conforme a quanto segue: Direttiva europea sulla compatibilità elettromagnetica (EMC) 2014/30/UE, Direttiva RoHS 2 2011/65 / UE, Direttiva RoHS 3 -Modifica 2011/65 / UE allegato II 2015/863

Il testo completo della dichiarazione di conformità UE è disponibile al seguente indirizzo internet: <https://www.horizonhobby.com/content/support-rendercompliance>.

Il testo completo della dichiarazione di conformità UE è disponibile al seguente indirizzo internet: <https://www.horizonhobby.com/content/support-rendercompliance>.

Range di frequenze wireless e potenza di uscita wireless:

2404-2476MHz
5.58dBm

Fabbricante registrato UE:

Horizon Hobby, LLC
2904 Research Road
Champaign, IL 61822 USA

Importatore registrato UE:

Horizon Hobby, GmbH
Hanskampring 9
22885 Barsbüttel Germany

AVVISO RAEE:



Questo dispositivo è marcato ai sensi della Direttiva europea 2012/19/UE riguardante i rifiuti di apparecchiature elettriche ed elettroniche (RAEE). Il simbolo indica che il prodotto non va smaltito insieme ai rifiuti domestici. Il prodotto deve essere consegnato agli appositi centri di raccolta per consentirne il recupero e il riciclaggio.



©2024 Horizon Hobby, LLC.

E-flite, Plug-N-Play, Bind-N-Fly, BNF, the BNF logo, DSM, DSM2, DSMX, AirWare, EC3, IC3, AS3X, AS3X+, SAFE, the SAFE logo, ModelMatch, Prophet, Precept and the Horizon Hobby logo are trademarks or registered trademarks of Horizon Hobby, LLC. The Spektrum trademark is used with permission of Bachmann Industries, Inc. All other trademarks, service marks and logos are property of their respective owners. US 8,672,726 US 9,056,667
<http://www.horizonhobby.com/>