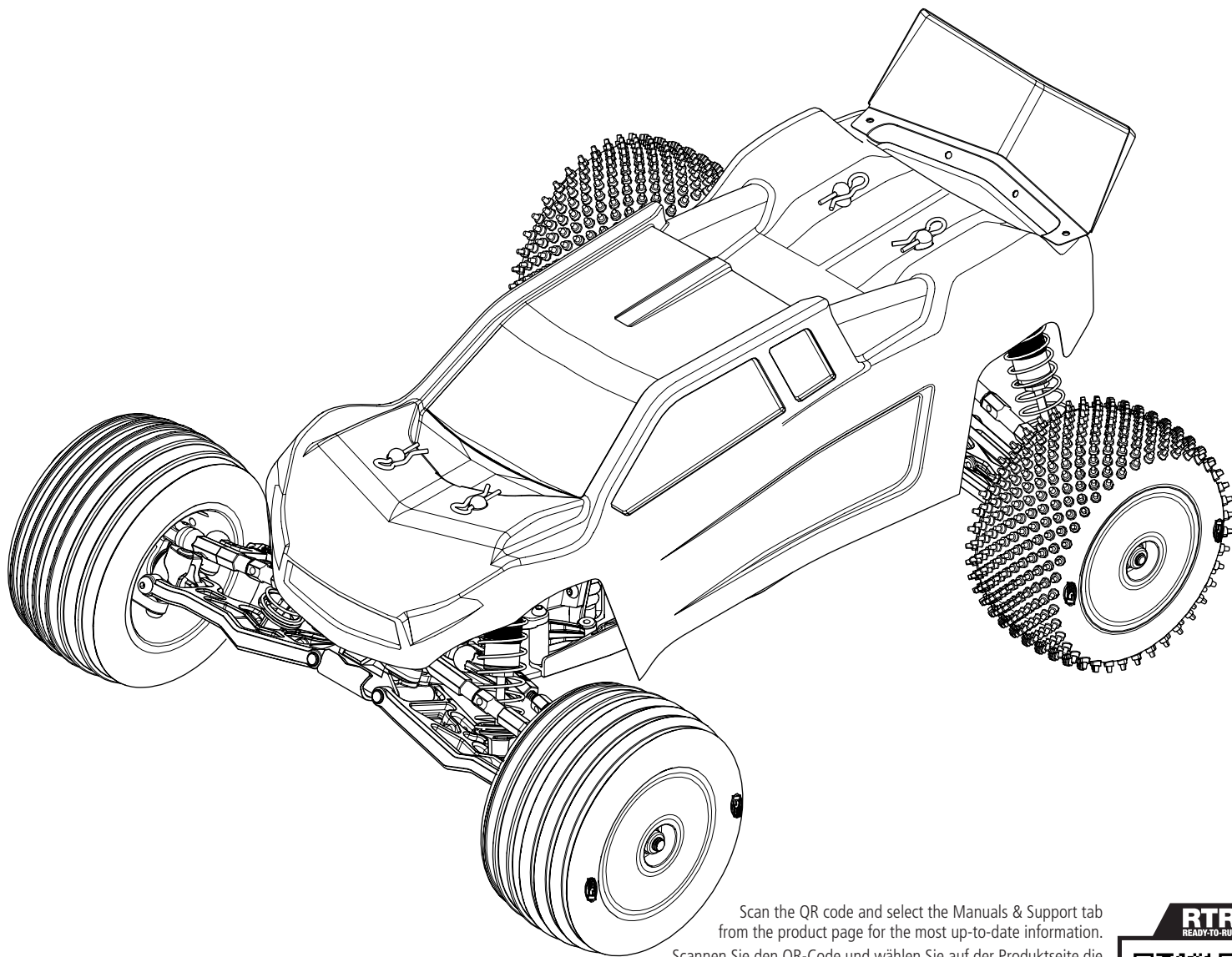




MINI-T 2.0

1/18 BRUSHLESS 2WD TRUCK



Scan the QR code and select the Manuals & Support tab from the product page for the most up-to-date information.
Scannen Sie den QR-Code und wählen Sie auf der Produktseite die Registerkarte Handbücher und Unterstützung, um die aktuellsten Informationen zu erhalten.

Scannez le code QR et sélectionnez l'onglet Manuals and Support sur la page du produit pour obtenir les informations les plus récentes.
Scannerizzare il codice QR e selezionare la scheda Manuali e Supporto dalla pagina del prodotto per le informazioni più aggiornate.



RTR
READY-TO-RUN
LOS-1056

Instruction Manual
Bedienungsanleitung
Manuel d'utilisation
Manuale di Istruzioni

731229
Created 2/24

Before operating this vehicle, please read all printed materials thoroughly. Horizon Hobby is not responsible for inadvertent errors in this manual.

HORIZON
H O B B Y

NOTICE

All instructions, warranties and other collateral documents are subject to change at the sole discretion of Horizon Hobby, LLC. For up-to-date product literature, visit www.horizonhobby.com or www.towerhobbies.com and click on the support or resources tab for this product.

MEANING OF SPECIAL LANGUAGE

The following terms are used throughout the product literature to indicate various levels of potential harm when operating this product:

WARNING: Procedures, which if not properly followed, create the probability of property damage, collateral damage, and serious injury OR create a high probability of superficial injury.

CAUTION: Procedures, which if not properly followed, create the probability of physical property damage AND a possibility of serious injury.

NOTICE: Procedures, which if not properly followed, create a possibility of physical property damage AND a little or no possibility of injury.



WARNING: Read the ENTIRE instruction manual to become familiar with the features of the product before operating. Failure to operate the product correctly can result in damage to the product, personal property and cause serious injury.

This is a sophisticated hobby product. It must be operated with caution and common sense and requires some basic mechanical ability. Failure to operate this Product in a safe and responsible manner could result in injury or damage to the product or other property. This product is not intended for use by children without direct adult supervision. Do not use with incompatible components or alter this product in any way outside of the instructions provided by Horizon Hobby, LLC. This manual contains instructions for safety, operation and maintenance. It is essential to read and follow all the instructions and warnings in the manual, prior to assembly, setup or use, in order to operate correctly and avoid damage or serious injury.

Age Recommendation: Not for children under 14 years. This is not a toy.

SAFETY PRECAUTIONS AND WARNINGS

- Always keep a safe distance in all directions around your model to avoid collisions or injury. This model is controlled by a radio signal subject to interference from many sources outside your control. Interference can cause momentary loss of control.
- Always operate your model in open spaces away from full-size vehicles, traffic and people.
- Always carefully follow the directions and warnings for this and any optional support equipment (chargers, rechargeable battery packs, etc.).
- Always keep all chemicals, small parts and anything electrical out of the reach of children.
- Always avoid water exposure to all equipment not specifically designed and protected for this purpose. Moisture causes damage to electronics.
- Never place any portion of the model in your mouth as it could cause serious injury or even death.
- Never operate your model with low transmitter batteries.

TABLE OF CONTENTS

COMPONENTS	2
TOOLS INCLUDED	2
CONTENTS	3
WATER-RESISTANT VEHICLE WITH WATERPROOF ELECTRONICS	3
GENERAL PRECAUTIONS	3
WET CONDITIONS MAINTENANCE	3
QUICK START	3
CHARGING WARNINGS	4
CHARGING THE BATTERY	4
INSTALLING THE BATTERY AND POWERING ON THE VEHICLE	4
SLT2 TRANSMITTER	5
INSTALLING THE TRANSMITTER BATTERIES	5
RECEIVER ANTENNA	5
BINDING	5
CONTROL TEST	6
DRIVING PRECAUTIONS	6
RUN TIME	6
TO IMPROVE RUN TIMES	6
GETTING STARTED	6
TUNING, ADJUSTING AND MAINTAINING THE VEHICLE	7
SERVICE/REPAIR	7
RADIO/SPEED CONTROL AND MOTOR	7
MAINTENANCE	7
CLEANING	7
SHOCK CLEANING	7
RIDE HEIGHT ADJUSTMENT	7
TROUBLESHOOTING GUIDE	8
LIMITED WARRANTY	8
WARRANTY AND SERVICE CONTACT INFORMATION	9
FCC INFORMATION	9
IC INFORMATION	9
COMPLIANCE INFORMATION FOR THE EUROPEAN UNION	9
RECOMMENDED PARTS	34
OPTIONAL PARTS	34–35
EXPLODED VIEW	36–39

COMPONENTS

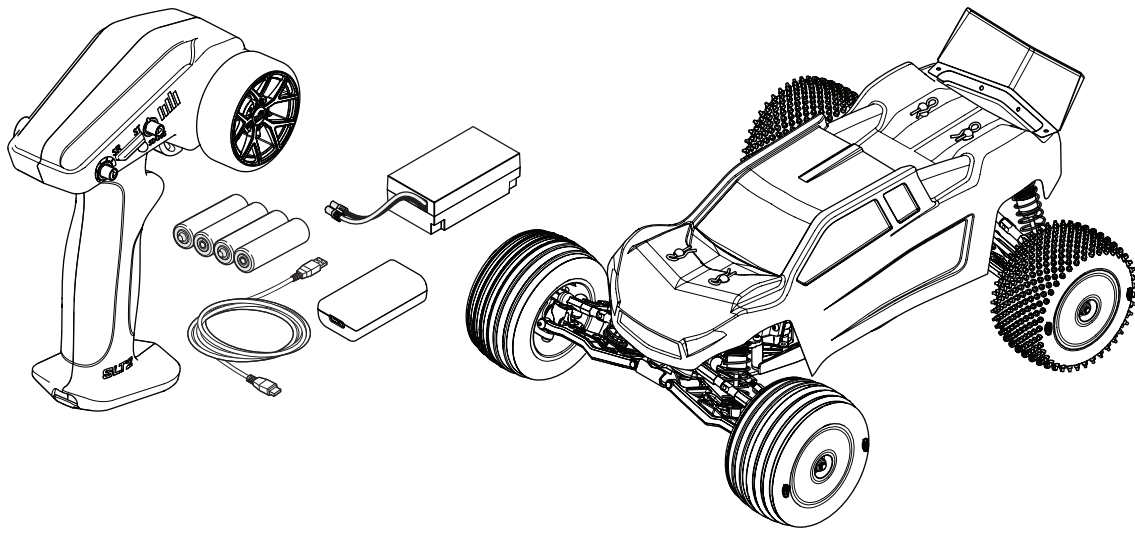
- Losi® Mini-T™ 2.0 1:18 Brushless 2WD Truck, RTR (LOS-1056)
- Spektrum™ SLT3 3CH 2.4Ghz SLT (SPMRLT300)
- Spektrum™ SR315 DSMR 3-Channel Sport Receiver (SPMSR315)
- Spektrum™ Firma Brushless Motor/ESC 2-in-1 Combo, 6000Kv: IC2 (SPMXSEM0503)
- Spektrum™ SX108 Micro Metal Gear Servo (SPMSSX108)
- Spektrum™ Battery LiPo G2 Smart 7,4 V 810 mAh 2S 50C: IC2 (SPMX812SH2)
- Spektrum™ Smart G2 2S LiPo (IC2) USB-C Charger (SPMXC0040)
- 4 AA batteries (for transmitter)

TOOLS INCLUDED

- 4-Way Wrench
- 1.5mm Hex "L" Wrench

Use only Dynamite® tools or other high-quality tools. Other tools can cause damage to the small screws and parts used on this model.

CONTENTS



WATER-RESISTANT VEHICLE WITH WATERPROOF ELECTRONICS

Your new Horizon Hobby vehicle has been designed and built with a combination of waterproof and water-resistant components to allow you to operate the product in many “wet conditions,” including puddles, creeks, wet grass, snow and even rain.

While the entire vehicle is highly water-resistant, it is not completely waterproof and your vehicle should NOT be treated like a submarine. The various electronic components used in the vehicle, such as the Electronic Speed Control (ESC), servo(s) and receiver are waterproof, however, most of the mechanical components are water-resistant and should not be submerged.

Metal parts, including the bearings, hinge pins, screws and nuts, as well as the contacts in the electrical cables, will be susceptible to corrosion if additional maintenance is not performed after running in wet conditions. To maximize the long-term performance of your vehicle and to keep the warranty intact, the procedures described in the “Wet Conditions Maintenance” section below must be performed regularly if you choose to run in wet conditions. If you are not willing to perform the additional care and maintenance required, then you should not operate the vehicle in those conditions.



CAUTION: Failure to exercise caution while using this product and complying with the following precautions could result in product malfunction and/or void the warranty.

GENERAL PRECAUTIONS

- Read through the wet conditions maintenance procedures and make sure that you have all the tools you will need to properly maintain your vehicle.
- Not all batteries can be used in wet conditions. Consult the battery manufacturer before use. Caution should be taken when using Li-Po batteries in wet conditions.
- Most transmitters are not water-resistant. Consult your transmitter’s manual or the manufacturer before operation.
- Never operate your transmitter or vehicle where lightning may be present.
- Do not operate your vehicle where it could come in contact with salt water (ocean water or water on salt-covered roads), contaminated or polluted water. Salt water is very conductive and highly corrosive, so use caution.
- Even minimal water contact can reduce the life of your motor if it has not been certified as water-resistant or waterproof. If the motor becomes excessively wet, apply very light throttle until the water is mostly removed from the motor. Running a wet motor at high speeds may rapidly damage the motor.

QUICK START

Please read the entire manual to gain a full understanding of the Mini-T vehicle, fine-tuning the setup and performing maintenance.

1. Read the safety precautions found in this manual.
2. Charge the battery. Refer to the included charging warnings and instructions for battery charging information.
3. Install the AA batteries in the transmitter. Only use alkaline or rechargeable batteries.
4. Install a fully charged battery in the vehicle.
5. Power ON the transmitter and then the vehicle. Always power the transmitter ON before the vehicle and power it OFF after the vehicle has been powered OFF.
6. Check the steering and throttle control directions. Verify that the servos are moving in the correct direction.
7. Drive your vehicle.
8. Perform any necessary maintenance.

- Driving in wet conditions can reduce the life of the motor. The additional resistance of operating in water causes excess strain. Alter the gear ratio by using a smaller pinion or larger spur gear. This will increase torque (and motor life) when running in mud, deeper puddles, or any wet conditions that will increase the load on the motor for an extended period of time.

WET CONDITIONS MAINTENANCE

- Drain any water that has collected in the tires by spinning them at high speed. With the body removed, place the vehicle upside down and pull full throttle for a few short bursts until the water has been removed.



CAUTION: Always keep hands, fingers, tools and any loose or hanging objects away from rotating parts when performing the above drying technique.

- Remove the battery pack(s) and dry the contacts. If you have an air compressor or a can of compressed air, blow out any water that may be inside the recessed connector housing.
- Remove the tires/wheels from the vehicle and gently rinse the mud and dirt off with a garden hose. Avoid rinsing the bearings and transmission.

NOTICE: Never use a pressure washer to clean your vehicle.

- Use an air compressor or a can of compressed air to dry the vehicle and help remove any water that may have gotten into small crevices or corners.
- Spray the bearings, drive train, fasteners and other metal parts with a water-displacing light oil. Do not spray the motor.
- Let the vehicle air dry before you store it. Water (and oil) may continue to drip for a few hours.
- Increase the frequency of disassembly, inspection and lubrication of the following:
 - Front and rear axle hub assembly bearings.
 - All transmission cases, gears and differentials.
 - Motor—clean with an aerosol motor cleaner and re-oil the bushings with lightweight motor oil.

CHARGING WARNINGS

CAUTION: All instructions and warnings must be followed exactly. Mishandling of Li-Po batteries can result in a fire, personal injury and/or property damage.

- **NEVER LEAVE CHARGING BATTERIES UNATTENDED.**
- **NEVER CHARGE BATTERIES OVERNIGHT.**
- By handling, charging or using the included Li-Po battery, you assume all risks associated with lithium batteries.
- If at any time the battery begins to balloon or swell, discontinue use immediately. If charging or discharging, discontinue and disconnect. Continuing to use, charge or discharge a battery that is ballooning or swelling can result in fire.
- Always store the battery at room temperature in a dry area for best results.
- Always transport or temporarily store the battery in a temperature range of 40–120° F (5–49° C).
- Do not store battery or model in a car or direct sunlight. If stored in a hot car, the battery can be damaged or even catch fire.
- Always charge batteries away from flammable materials.

- Always inspect the battery before charging.
- Always disconnect the battery after charging, and let the charger cool between charges.
- Always constantly monitor the temperature of the battery pack while charging.
- **ONLY USE A CHARGER SPECIFICALLY DESIGNED TO CHARGE LI-PO BATTERIES.** Failure to charge the battery with a compatible charger may cause a fire resulting in personal injury and/or property damage.
- Never discharge Li-Po cells to below 3V under load.
- Never cover warning labels with hook and loop strips.
- Never charge batteries outside recommended levels.
- Never charge damaged batteries.
- Never attempt to dismantle or alter the charger.
- Never allow minors to charge battery packs.
- Never charge batteries in extremely hot or cold places (recommended between 40–120° F or [5–49° C]) or place in direct sunlight.

CHARGING THE BATTERY

NOTICE: Charge only batteries that are cool to the touch and are not damaged. Inspect the battery to make sure it is not damaged e.g., swollen, bent, broken or punctured.

CAUTION: Only use chargers specifically designed to charge the included Li-Po battery. Failure to do so could result in fire, causing injury or property damage.

CAUTION: Never exceed the recommended charge rate.

Use only the included USB charger to charge the battery.

1. Connect the included USB-C power cable to the charger. The charger will work with most 5V mobile power sources or smartphone chargers with at least 1 amp of power output.

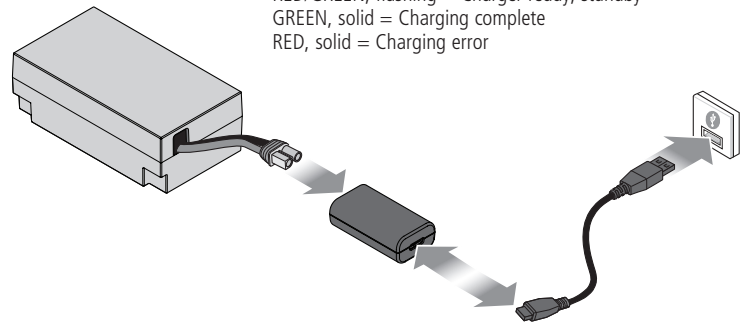
NOTICE: Charging the battery with a USB power port with less than 1 amp of power output can produce heat.

2. Connect the IC2 connector on the battery to the charger, noting correct polarity. Charging a fully discharged battery takes approximately 45–60 minutes. Charge times may vary depending on the power source.
3. Disconnect the battery from the charger when the charging cycle is complete.
4. Disconnect the power supply from the charger.

CAUTION: Once charging is complete, immediately remove the battery. Never leave a battery connected to the charger.

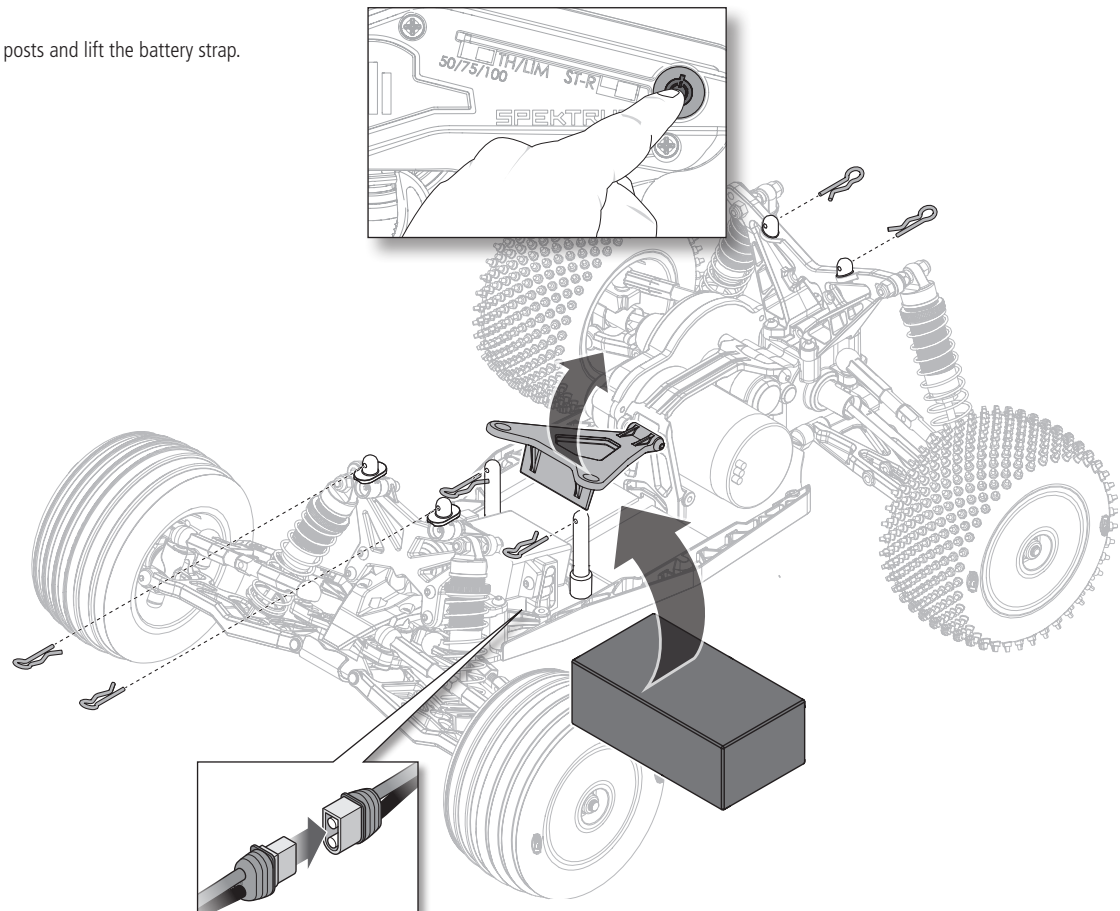
Charger LED Indications

GREEN, flashing = Charging
 RED/GREEN, flashing = Charger ready; standby
 GREEN, solid = Charging complete
 RED, solid = Charging error

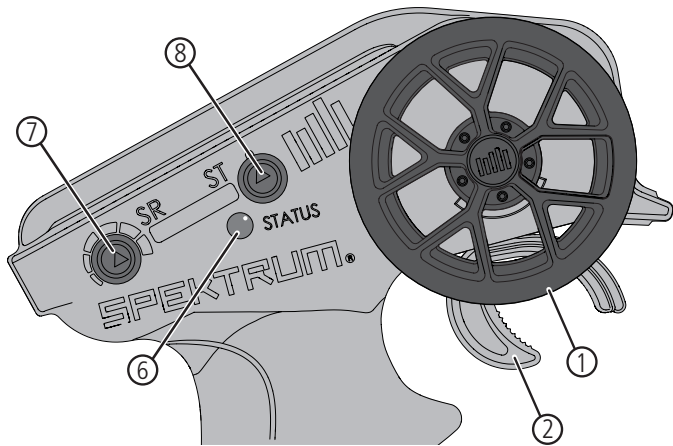


INSTALLING THE BATTERY AND POWERING ON THE VEHICLE

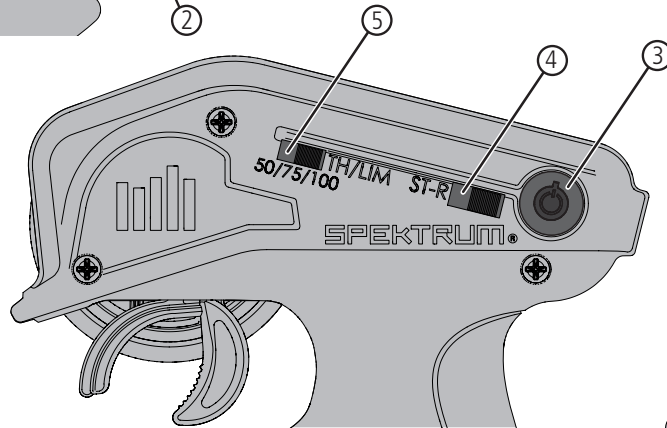
1. Remove the body clips and lift the body.
2. Remove the body clips from the battery strap posts and lift the battery strap.
3. Install the fully charged battery in vehicle.
4. Re-secure the battery strap and body clips.
5. Ensure the 2-in-1 Motor/ESC is powered off.
6. Connect the battery to the 2-in-1 Motor/ESC.
7. Power on the transmitter.
8. Power on the 2-in-1 Motor/ESC.
9. Reinstall the body and the body clips.



SLT2 TRANSMITTER



- Steering Wheel** Controls direction (left/right) of the model
- Throttle Trigger** Controls speed and direction (forward/brake/reverse) of the model
- Power Button** Turns the power ON/OFF
- Steering (ST-R) Servo Reversing** Reverses the steering channel
- Throttle Limit** Limits throttle output to 50%/75%/100%
Select 50% or 75% for less experienced drivers or when you are driving the vehicle in a small area
- Indicator Lights**
 - **Solid red light**—Indicates radio connectivity and adequate battery power
 - **Flashing red light**—Indicates the battery voltage is critically low. Replace the batteries.
- Steering Rate** Adjusts the steering end points
- Steering Trim** Adjusts the steering center point



INSTALLING THE TRANSMITTER BATTERIES

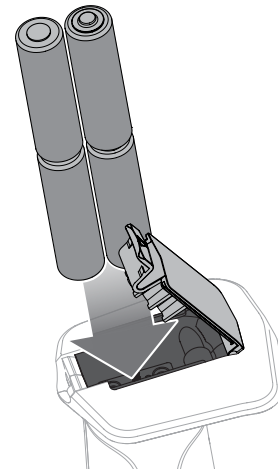
This transmitter requires 4 AA batteries.

1. Remove the battery cover from the transmitter.
2. Install the batteries as shown.
3. Install the battery cover.

CAUTION: Never remove the transmitter batteries while the model is powered ON. Loss of model control, damage, or injury may occur.

CAUTION: If using rechargeable batteries, charge only rechargeable batteries. Charging non-rechargeable batteries may cause the batteries to burst, resulting in injury to persons and/or damage to property.

CAUTION: Risk of explosion if battery is replaced by an incorrect type. Dispose of used batteries according to national regulations.



RECEIVER ANTENNA

The SR315 receivers feature a coaxial antenna design for easy installation in almost any model. Think of the last 1 inch (32mm) on the tip of the antenna as the active portion of the antenna, the coaxial portion leading up to it is just an extension. Install the antenna so the active portion is positioned as high as possible in the vehicle, and not "in the shadow" of any carbon fiber or metal. The case of the receiver can accept an antenna tube directly, making optimal antenna placement easy (antenna tube not included).

WARNING: Do not kink, cut or damage the antenna wire. The antenna is made of a coaxial wire; if the outer sheath becomes damaged, the receiver will not work properly. If the antenna is damaged in any way, replace the antenna before attempting to use the receiver.

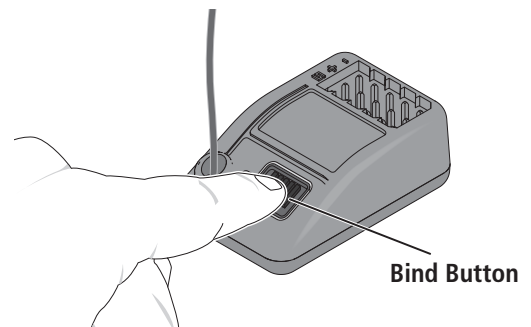
BINDING

Binding is the process of programming the receiver to recognize the GUID (Globally Unique Identifier) code of a single specific transmitter.

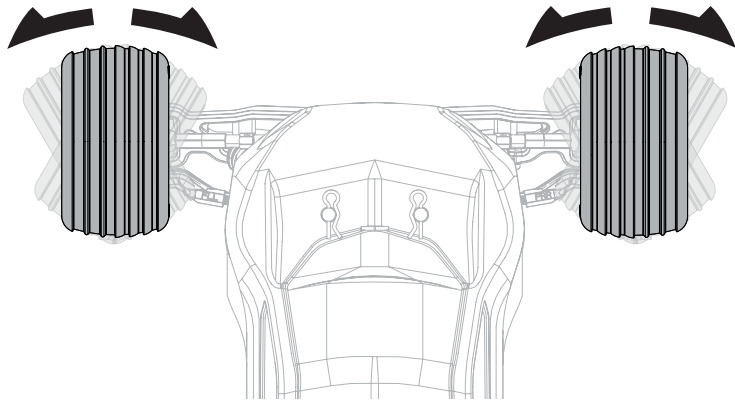
1. Power ON the receiver, press the bind button three times quickly (within 1.5 seconds of the first button press). The LED will begin to flash with a pause.
2. Set the trims and control positions at the desired failsafe settings, and power ON the SLT2 transmitter.
3. When the LED on the SLT2 transmitter and receiver remain lit, binding is complete.

You must rebind when:

- Different failsafe positions are desired (e.g., when throttle or steering reversing has changed).
- Binding the receiver to a different transmitter.



CONTROL TEST



Perform a control test with the vehicle wheels off the ground. If the wheels rotate after the vehicle is powered ON, adjust the Throttle Trim until they stop. To make the wheels move forward, pull the trigger. To reverse them, wait for the wheels to stop, then push the trigger. When moving forward, the wheels should maintain a straight line without any steering wheel input. If not, adjust the Steering Trim, so the wheels maintain a straight line without having to turn the steering wheel.

DRIVING PRECAUTIONS

- Maintain sight of the vehicle at all times.
- Inspect the vehicle for loose wheel hardware.
- Inspect the steering assembly for any loose hardware. Driving the vehicle off-road can cause fasteners to loosen over time.
- Do not drive the vehicle in tall grass. Doing so can damage the vehicle or electronics.
- Stop driving the vehicle when you notice a lack of power. Driving the vehicle when the battery is discharged can cause the receiver to power off. You may lose control of the vehicle.
- Do not apply the throttle in forward or reverse if the vehicle is stuck. Applying throttle in this instance can damage the motor or ESC.
- After driving the vehicle, allow the electronics to cool to ambient temperature before using the next battery pack.

RUN TIME

The condition of a battery pack is also an important factor in both run time and speed. The battery connectors may become hot during driving. Batteries will lose performance and capacity over time.

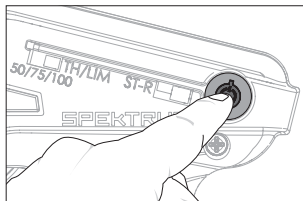
Driving the vehicle from a stop to full speed repeatedly will damage the batteries and electronics over time. Sudden acceleration will also lead to shorter run times.

TO IMPROVE RUN TIMES

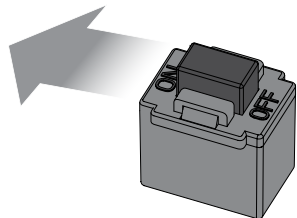
- Keep your vehicle clean and well maintained.
- Allow more airflow to the ESC and motor.
- Change the gearing to a lower ratio. A lower ratio lowers the operating temperature of the electronics. Use a smaller pinion gear or larger spur gear to lower the gear ratio.

GETTING STARTED

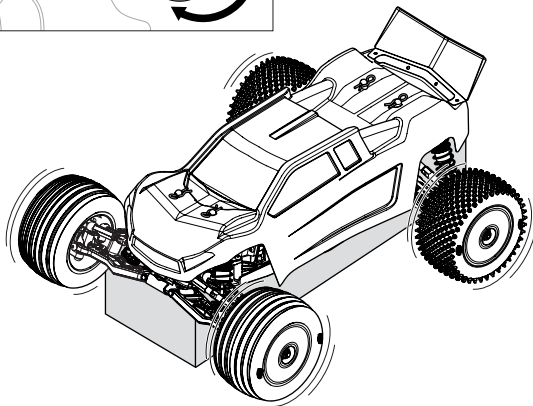
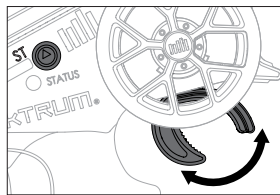
1. Power on the transmitter.



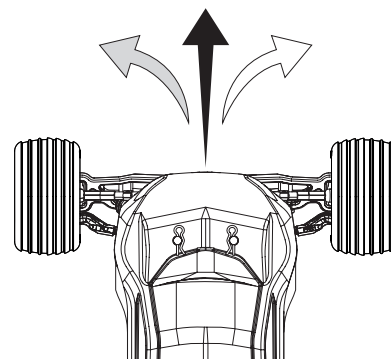
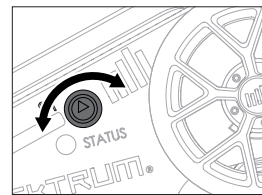
2. Power on the ESC/motor.



3. Perform a test of the transmitter's control of the vehicle with the vehicle's wheels off the ground.



4. Start driving slowly, and, if the vehicle does not go straight, adjust the steering trim dial on the transmitter.



TUNING, ADJUSTING AND MAINTAINING THE VEHICLE

- Examine your vehicle on a regular basis.
- Use a brush to remove dirt and dust.
- Look for damage to the suspension arms and other molded parts.
- Re-glue the tires to the wheels, if necessary.
- Use suitable tools to tighten fasteners.
- Make sure the camber and steering linkages are not bent. Replace any bent linkages.
- Adjust the Toe and Camber settings, if necessary.
- Remove the shocks and inspect them for damage. Rebuild the shocks if oil is leaking.
- Inspect electronics and batteries for exposed wires. Repair exposed wires with shrink-wrap or replace the wire.
- Make sure the ESC and receiver are secure on the chassis. Replace the double-sided tape, if necessary.
- Power on your transmitter. If the blue light is flashing, replace the AA batteries in the transmitter.
- Check the spur gear for wear.

SHOCK CLEANING

Oil-filled shocks will require regular maintenance due to the oil breaking down or getting dirty. This maintenance should be performed after about every 3–5 hours of use, depending on the driving conditions.

- Remove the shock from the vehicle.
- Remove the bottom cartridge from the shock body and dispose of fluid.
- Disassemble the shock. Clean thoroughly with a plastic- and electronic-safe degreaser (DYNE50001). Dry parts before assembly.
- Re-assemble the shock and refill the shock body with silicone fluid (22.5 weight recommended, TLR74003).
- Slowly move the shaft and piston up and down to remove air bubbles.
- Move the piston to the midway point of the body and install the bottom cartridge.
- Wipe off any overflowing fluid.
- Re-install the shock on the vehicle.

RIDE HEIGHT ADJUSTMENT

Ride height is an adjustment that affects the way the vehicle jumps, turns and goes over bumps. Drop one end of the vehicle from approximately 6 inches (152 mm) in height onto a flat surface. When dropping the front of the vehicle, after the vehicle settles, make sure the front arms are equal and parallel to the flat surface. Do the same with the rear to make sure both arms are parallel with the flat surface.

Lowering the front ride height increases steering, but decreases traction. Lowering the rear ride height increases traction, but decreases steering.

SERVICE/REPAIR

RADIO/SPEED CONTROL AND MOTOR

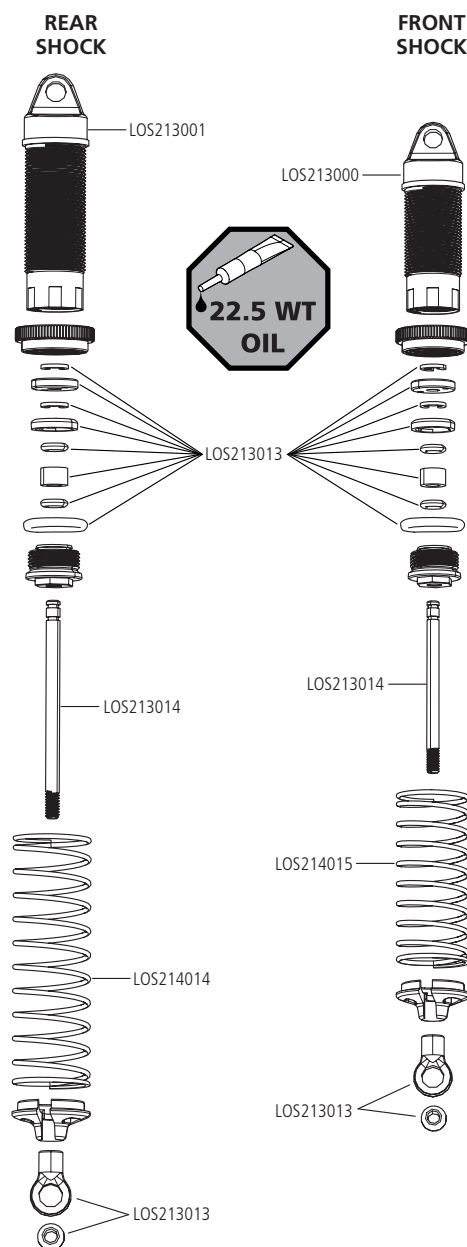
If any problems other than those covered in the troubleshooting section arise, please call the appropriate electronics service department. They will be able to give the problem additional specific attention and provide instructions for the solution.

MAINTENANCE

If any questions other than those covered in the troubleshooting or maintenance sections arise, please call the appropriate Horizon product support department.

CLEANING

Performance can be hindered if dirt gets in any of the moving suspension parts. Use compressed air, a soft paintbrush, or a toothbrush to remove dust or dirt. Avoid using solvents or chemicals as they can actually wash dirt into the bearings or moving parts, as well as cause damage to the electronics.



TROUBLESHOOTING GUIDE

PROBLEM	POSSIBLE CAUSE	SOLUTION
Vehicle does not operate	Battery not charged or plugged in	Charge battery/plug in
	ESC switch not "On"	Turn on ESC switch
	Transmitter not "On" or low battery	Turn on/replace batteries
Motor runs but rear wheels do not rotate	Pinion not meshing with spur gear	Adjust pinion/spur mesh
	Pinion spinning on motor shaft	Tighten pinion gear setscrew on motor shaft flat spot
	Transmission gears stripped	Replace transmission gears
	Drive pin broken	Check and replace drive pin
Steering does not work	Servo plug not in receiver properly	Make sure the steering servo plug is connected to the receiver steering channel, noting proper polarity
	Servo gears or motor damaged	Replace or repair servo
Will not turn one direction	Servo gears damaged	Replace or repair servo
Motor does not run	Motor wire solder joint is damaged	Resolder the motor wire with the proper equipment
	Motor wire broken	Repair or replace as needed
	ESC damaged	Contact Horizon Hobby Product Support
ESC gets hot	Motor over-gear	Use smaller pinion or larger spur gear
	Driveline bound up	Check wheels and transmission for binding
Poor run time and/or sluggish acceleration	Battery pack not fully charged	Recharge battery
	Charger not allowing full charge	Try another charger
	Driveline bound up	Check wheels, transmission for binding
Poor range and/or glitching	Transmitter batteries low	Check and replace
	Vehicle battery low	Recharge battery
	Loose plugs or wires	Check all wire connections and plugs

LIMITED WARRANTY

What this Warranty Covers – Horizon Hobby, LLC, (Horizon) warrants to the original purchaser that the product purchased (the "Product") will be free from defects in materials and workmanship for a period of 2 years from the date of purchase.

What is Not Covered – This warranty is not transferable and does not cover (i) cosmetic damage, (ii) damage due to acts of God, accident, misuse, abuse, negligence, commercial use, or due to improper use, installation, operation or maintenance, (iii) modification of or to any part of the Product, (iv) attempted service by anyone other than a Horizon Hobby authorized service center, (v) Product not purchased from an authorized Horizon dealer, or (vi) Product not compliant with applicable technical regulations or (vii) use that violates any applicable laws, rules, or regulations.

OTHER THAN THE EXPRESS WARRANTY ABOVE, HORIZON MAKES NO OTHER WARRANTY OR REPRESENTATION, AND HEREBY DISCLAIMS ANY AND ALL IMPLIED WARRANTIES, INCLUDING, WITHOUT LIMITATION, THE IMPLIED WARRANTIES OF NON-INFRINGEMENT, MERCHANTABILITY AND FITNESS FOR A PARTICULAR PURPOSE. THE PURCHASER ACKNOWLEDGES THAT THEY ALONE HAVE DETERMINED THAT THE PRODUCT WILL SUITABLY MEET THE REQUIREMENTS OF THE PURCHASER'S INTENDED USE.

Purchaser's Remedy – Horizon's sole obligation and purchaser's sole and exclusive remedy shall be that Horizon will, at its option, either (i) service, or (ii) replace, any Product determined by Horizon to be defective. Horizon reserves the right to inspect any and all Product(s) involved in a warranty claim. Service or replacement decisions are at the sole discretion of Horizon. Proof of purchase is required for all warranty claims. SERVICE OR REPLACEMENT AS PROVIDED UNDER THIS WARRANTY IS THE PURCHASER'S SOLE AND EXCLUSIVE REMEDY.

Limitation of Liability – HORIZON SHALL NOT BE LIABLE FOR SPECIAL, INDIRECT, INCIDENTAL OR CONSEQUENTIAL DAMAGES, LOSS OF PROFITS OR PRODUCTION OR COMMERCIAL LOSS IN ANY WAY, REGARDLESS OF WHETHER SUCH CLAIM IS BASED IN CONTRACT, WARRANTY, TORT, NEGLIGENCE, STRICT LIABILITY OR ANY OTHER THEORY OF LIABILITY, EVEN IF HORIZON HAS BEEN ADVISED OF THE POSSIBILITY OF SUCH DAMAGES. Further, in no event shall the liability of Horizon exceed the individual price of the Product on which liability is asserted. As Horizon has no control over use, setup, final assembly, modification or misuse, no liability shall be assumed nor accepted for any resulting damage or injury. By the act of use, setup or assembly, the user accepts all resulting liability. If you as the purchaser or user are not prepared to accept the liability associated with the use of the Product, purchaser is advised to return the Product immediately in new and unused condition to the place of purchase.

Law – These terms are governed by Illinois law (without regard to conflict of law principals). This warranty gives you specific legal rights, and you may also have other rights which vary from state to state. Horizon reserves the right to change or modify this warranty at any time without notice.

WARRANTY SERVICES

Questions, Assistance, and Services – Your local hobby store and/or place of purchase cannot provide warranty support or service. Once assembly, setup or use of the Product has been started, you must contact your local distributor or Horizon directly. This will enable Horizon to better answer your questions and service you in the event that you may need any

assistance. For questions or assistance, please visit our website at www.horizonhobby.com, submit a Product Support Inquiry, or call the toll free telephone number referenced in the Warranty and Service Contact Information section to speak with a Product Support representative.

Inspection or Services – If this Product needs to be inspected or serviced and is compliant in the country you live and use the Product in, please use the Horizon Online Service Request submission process found on our website or call Horizon to obtain a Return Merchandise Authorization (RMA) number. Pack the Product securely using a shipping carton. Please note that original boxes may be included, but are not designed to withstand the rigors of shipping without additional protection. Ship via a carrier that provides tracking and insurance for lost or damaged parcels, as Horizon is not responsible for merchandise until it arrives and is accepted at our facility. An Online Service Request is available at http://www.horizonhobby.com/content/service-center_render-service-center. If you do not have internet access, please contact Horizon Product Support to obtain a RMA number along with instructions for submitting your product for service. When calling Horizon, you will be asked to provide your complete name, street address, email address and phone number where you can be reached during business hours. When sending product into Horizon, please include your RMA number, a list of the included items, and a brief summary of the problem. A copy of your original sales receipt must be included for warranty consideration. Be sure your name, address, and RMA number are clearly written on the outside of the shipping carton.

NOTICE: Do not ship Li-Po batteries to Horizon. If you have any issue with a Li-Po battery, please contact the appropriate Horizon Product Support office.

Warranty Requirements – For Warranty consideration, you must include your original sales receipt verifying the proof-of-purchase date. Provided warranty conditions have been met, your Product will be serviced or replaced free of charge. Service or replacement decisions are at the sole discretion of Horizon.

Non-Warranty Service – Should your service not be covered by warranty, service will be completed and payment will be required without notification or estimate of the expense unless the expense exceeds 50% of the retail purchase cost. By submitting the item for service you are agreeing to payment of the service without notification. Service estimates are available upon request. You must include this request with your item submitted for service. Non-warranty service estimates will be billed a minimum of ½ hour of labor. In addition you will be billed for return freight. Horizon accepts money orders and cashier's checks, as well as Visa, MasterCard, American Express, and Discover cards. By submitting any item to Horizon for service, you are agreeing to Horizon's Terms and Conditions found on our website http://www.horizonhobby.com/content/service-center_render-service-center.

⚠ ATTENTION: Horizon service is limited to Product compliant in the country of use and ownership. If received, a non-compliant Product will not be serviced. Further, the sender will be responsible for arranging return shipment of the un-serviced Product, through a carrier of the sender's choice and at the sender's expense. Horizon will hold non-compliant Product for a period of 60 days from notification, after which it will be discarded.

WARRANTY AND SERVICE CONTACT INFORMATION

COUNTRY OF PURCHASE	HORIZON HOBBY	CONTACT INFORMATION	ADDRESS
United States of America	Horizon Service Center (Repairs and Repair Requests)	servicecenter.horizonhobby.com/RequestForm/	2904 Research Rd Champaign, Illinois, 61822 USA
	Horizon Product Support (Product Technical Assistance)	productsupport@horizonhobby.com 877-504-0233	
	Sales	websales@horizonhobby.com 888-338-4639	
EU	Horizon Technischer Service Sales: Horizon Hobby GmbH	service@horizonhobby.eu +49 (0) 4121 2655 100	Hanskampring 9 D 22885 Barsbüttel, Germany

FCC INFORMATION

FCC ID: BRWSPMSLT200F | BRWSRIRVINGV1
Supplier's Declaration of Conformity

LOS Mini-T RTR: 1:18 Brushless 2WD Truck, RTR (LOS-1056):

This device complies with part 15 of the FCC Rules. Operation is subject to the following two conditions: (1) This device may not cause harmful interference, and (2) this device must accept any interference received, including interference that may cause undesired operation.

CAUTION: Changes or modifications not expressly approved by the party responsible for compliance could void the user's authority to operate the equipment.

NOTE: This equipment has been tested and found to comply with the limits for a Class B digital device, pursuant to part 15 of the FCC Rules. These limits are designed to provide reasonable protection against harmful interference in a residential installation. This equipment generates, uses and can radiate radio frequency energy and, if not installed and used in accordance with the instructions, may cause harmful interference to radio communications. However, there is

no guarantee that interference will not occur in a particular installation. If this equipment does cause harmful interference to radio or television reception, which can be determined by turning the equipment off and on, the user is encouraged to try to correct the interference by one or more of the following measures:

- Reorient or relocate the receiving antenna.
- Increase the separation between the equipment and receiver.
- Connect the equipment into an outlet on a circuit different from that to which the receiver is connected.
- Consult the dealer or an experienced radio/TV technician for help.

Horizon Hobby, LLC
 2904 Research Rd.,
 Champaign, IL 61822
 Email: compliance@horizonhobby.com
 Web: HorizonHobby.com

IC INFORMATION

CAN ICES-3 (B)/NMB-3(B)

IC: 6157A-SPMSLT200F | 6157A-SRIRVINGV1

This device contains license-exempt transmitter(s)/receiver(s) that comply with Innovation, Science, and Economic Development Canada's license-exempt RSS(s). Operation is subject to the following 2 conditions:

1. This device may not cause interference.
2. This device must accept any interference, including interference that may cause undesired operation of the device.

COMPLIANCE INFORMATION FOR THE EUROPEAN UNION

EU Compliance Statement:

LOS Mini-T RTR: 1:18 Brushless 2WD Truck, RTR (LOS-1056):

Hereby, Horizon Hobby, LLC declares that the device is in compliance with the following: EU Low Voltage Directive 2014/35/EU; EU EMC Directive 2014/30/

EU; EU Radio Equipment Directive 2014/53/EU; RoHS 2 Directive 2011/65/EU; RoHS 3 Directive - Amending 2011/65/EU Annex II 2015/863.

The full text of the EU declaration of conformity is available at the following internet address: <https://www.horizonhobby.com/content/support-render-compliance>.

Wireless Frequency Range and Wireless Output Power:

Transmitter:

2410–2480MHz

13.66dBm

Receiver:

2404–2476MHz

-1.33dBm

EU Manufacturer of Record:

Horizon Hobby, LLC
 2904 Research Road
 Champaign, IL 61822 USA

EU Importer of Record:

Horizon Hobby, GmbH
 Hanskampring 9
 22885 Barsbüttel Germany

WEEE NOTICE:



This appliance is labeled in accordance with European Directive 2012/19/EU concerning waste of electrical and electronic equipment (WEEE). This label indicates that this product should not be disposed of with household waste. It should be deposited at an appropriate facility to enable recovery and recycling.



PARTS LISTINGS | TEILELISTE | LISTE DES PIÈCES | ELENCO COMPONENTI

PART #	ENGLISH	DEUTSCH	FRANÇAIS	ITALIANO
LOS211011	FR Bulkhead, FR Brace Lft/Rt: Mini-T 2.0	Vordere Spritzwand, Frontstrebe links/rechts: Mini-T 2.0	Cloison avant, support avant gauche/droit : Mini-T 2.0	Paratia ant., Montante ant. SX/DX: Mini-T 2.0
LOS211012	Servo Mount, Servo Saver: Mini-T 2.0	Servohalterung, Servo-Saver: Mini-T 2.0	Support de servo, économiseur de servo : Mini-T 2.0	Supporto Servo, Salva Servo: Mini-T 2.0
LOS211013	Bellcrank, Drag Link, Set: Mini-T 2.0	Umlenkhebel, Lenkzwischenstangensatz: Mini-T 2.0	Levier coudé, barre de direction, ensemble : Mini-T 2.0	Set tirante longitudinale, leva a squadra: Mini-T 2.0
LOS211016	Gear Cover with Plug: Mini-T 2.0	Getriebeabdeckung mit Stecker: Mini-T 2.0	Cache d'engrenage avec bouchon : Mini-T 2.0	Carter ingranaggi con tappo: Mini-T 2.0
LOS212011	Wheel Hex, Pin (2): Mini-T 2.0	Sechskantrad, Stift (2): Mini-T 2.0	Écrou hexagonal de roue, axe (2) : Mini-T 2.0	Esagono ruota, perno (2): Mini-T 2.0
LOS212012	Rear Axle, (2): Mini-T 2.0	Hinterachse, (2): Mini-T 2.0	Axe arrière, (2) : Mini-T 2.0	Assale posteriore (2): Mini-T 2.0
LOS212013	Dogbone, (2): Mini-T 2.0	Dogbone, (2): Mini-T 2.0	Dogbone, (2) : Mini-T 2.0	Cardano spinato (2): Mini-T 2.0
LOS212014	Front Axle, (2): Mini-T 2.0	Vorderachse, (2): Mini-T 2.0	Axe avant, (2) : Mini-T 2.0	Assale anteriore (2): Mini-T 2.0
LOS212015	Slipper Hardware: Mini-T 2.0	Gleiter-Hardware: Mini-T 2.0	Accessoires de sabot : Mini-T 2.0	Gruppo antisaltellamento: Mini-T 2.0
LOS212016	Spur Gear w/ Slipper Pads, 60T, 0.5M: Mini-T 2.0	Stirnrad mit Gleitkissen, 60T, 0,5M: Mini-T 2.0	Roue droite cylindrique avec sabots de piston, 60T, 0,5 M : Mini-T 2.0	Ingr. cilindrico con pattini antisaltellamento 60T 0,5 M: Mini-T 2.0
LOS212018	Differential Gear, Idler Gear: Mini-T 2.0	Differentialgetriebe, Zwischenrad: Mini-T 2.0	Engrenage différentiel, pignon intermédiaire : Mini-T 2.0	Ruota differenziale, Ruota folle: Mini-T 2.0
LOS212019	Outdrive, Sun/Spider Gear, Set: Mini-T 2.0	Sonnen-/Planetenradantriebssatz: Mini-T 2.0	Arbre extérieur, roue solaire/pignon satellite, ensemble : Mini-T 2.0	Set outdrive, satellite/planetario: Mini-T 2.0
LOS212020	Top Shaft: Mini-T 2.0	Obere Welle: Mini-T 2.0	Arbre supérieur : Mini-T 2.0	Albero superiore: Mini-T 2.0
LOS212021	Transmission Case & Motor Plate: Mini-B	Getriebeabdeckung und Motorplatte: Mini-B	Plaque moteur et boîtier de transmission : Mini-B	Piastra motore e scatola trasmissione: Mini-B
LOS212022	Pinion Gear, 18T, 0.5M, 2mm Shaft	Zahnradgetriebe, 18T, 0,5 M, 2 mm Welle	Pignon, 18 dents, 0,5 M, arbre de 2 mm	Pignone, 18T, 0,5 m, Albero 2 mm
LOS212055	Transmission Case, V2: Mini-B, BL	Getriebeabdeckung, V2: Mini-B, BL	Boîtier de transmission, V2 : Mini-B, BL	Scatola trasmissione, V2: Mini-B, BL
LOS213000	Front Shock Set Complete: Mini-T 2.0	Kompletter Vorderer Stoßdämpfersatz: Mini-T 2.0	Lot d'amortisseurs avant complet : Mini-T 2.0	Set ammortizzatore ant. completo: Mini-T 2.0
LOS213014	Fr/Rr Shock Shaft Set: Mini-B, BL	Kolbenstangensatz, Heck/Front: Mini-B, BL	Ensemble axe d'amortisseur, avant/arrière : Mini-B, BL	Set aste ammortizzatori ant./post.: Mini-B, BL
LOS213001	Rear Shock Set Complete: Mini-T 2.0	Kompletter Hinterer Stoßdämpfersatz: Mini-T 2.0	Lot d'amortisseurs arrière complet : Mini-T 2.0	Set ammortizzatore posteriore completo: Mini-T 2.0
LOS213002	Shock O-Ring Set: Mini-T 2.0	O-Ring-Satz für den Stoßdämpfer: Mini-T 2.0	Ensemble de joints toriques d'amortisseur : Mini-T 2.0	Set O-Ring ammortizzatori: Mini-T 2.0
LOS213013	Shock Rebuild Pack: Mini-B, BL	Stoßdämpfer-Umbaupaket: Mini-B, BL	Pack de reconstruction d'amortisseur : Mini-B, BL	Pacchetto ricostruzione ammortizzatori: Mini-B, BL
LOS214003	Suspension Arm Set, Front/Rear: Mini-T 2.0	Querlenker-Set vorne/hinten: Mini-T 2.0	Ensemble de bras de suspension avant/arrière : Mini-T 2.0	Set bracci sospensione, ant./post.: Mini-T 2.0
LOS214005	Caster Block & Fr Camber Block: Mini-T 2.0	Radblock & Vorderer Radsturzblock: Mini-T 2.0	Bloc de roulettes et cale de carrossage avant : Mini-T 2.0	Set blocchi incidenza e campanatura ant.: Mini-T 2.0
LOS214006	Spindle & Hub Set: Mini-T 2.0	Spindel- und Nabensatz: Mini-T 2.0	Ensemble axe et moyeu : Mini-T 2.0	Set mozzo e fusello: Mini-T 2.0
LOS214008	Shock Standoff, Bushing: Mini-T 2.0	Kappen Stoßdämpfer-Standoff: Mini-T 2.0	Bague, entretoise d'amortisseur : Mini-T 2.0	Boccola, distanziale ammortizzatore: Mini-T 2.0
LOS214009	Rear Pivots & Bumper: Mini-T 2.0	Hintere Drehgelenke und Stoßstange: Mini-T 2.0	Pare-chocs et pivots arrière : Mini-T 2.0	Pivot posteriori e paraurti: Mini-T 2.0
LOS214010	Front Pivot & Bumper: Mini-T 2.0	Vorderes Drehgelenk und Stoßstange: Mini-T 2.0	Pare-chocs et pivot avant : Mini-T 2.0	Pivot anteriore e paraurti: Mini-T 2.0
LOS214013	Adjustable Link Set: Mini-T 2.0	Anpassbarer Verbindungssatz: Mini-T 2.0	Ensemble de liaisons ajustables : Mini-T 2.0	Set leveraggio regolabile: Mini-T 2.0
LOS214016	Rod End Set: Mini-T 2.0	Stangenkopfsatz: Mini-T 2.0	Ensemble d'embout de bielle : Mini-T 2.0	Set teste a snodo: Mini-T 2.0
LOS216002	Ball Stud (4): Mini-T 2.0	Kugelzapfen (4): Mini-T 2.0	Pivot à rotule (4) : Mini-T 2.0	Prigioniero a sfera (4): Mini-T 2.0
LOS216003	Screw Set, Button Head: Mini-T 2.0	Schraubensatz, Rundkopf: Mini-T 2.0	Ensemble de vis, tête bombée : Mini-T 2.0	Set viti a testa tonda: Mini-T 2.0
LOS216004	Screw Set, Flat Head: Mini-T 2.0	Schraubensatz, Flachkopf: Mini-T 2.0	Ensemble de vis, tête plate : Mini-T 2.0	Set viti a testa piatta: Mini-T 2.0
LOS216005	King Pin Set: Mini-T 2.0	Sattelzapfensatz: Mini-T 2.0	Ensemble axe de pivotement : Mini-T 2.0	Set perni del fuso: Mini-T 2.0
LOS217001	4x7x2.5mm Ball Bearing (4)	4 x 7 x 2,5 mm Kugellager (4)	Roulement à billes 4 x 7 x 2,5 mm (4)	Cuscinetti a sfera 4x7x2,5 mm (4)
LOS217004	7 x 11 x 3mm Ball Bearing (2)	7 x 11 x 3mm Kugellager (2)	Roulement à billes 7 x 11 x 3 mm (2)	Cuscinetti a sfera 7x11x3 mm (2)
SPMSSX108	SX108 Micro Gear Servo	SX108 Mikro servogetriebe	Micro servo à engrenage SX108	Servo micro ingranaggi SX108
SPMXSEM0503	Firma BL Motor/ESC 2-in-1 Combo, 6000Kv: IC2	Firma BL Motor/2-in-1-Geschwindigkeitsregler Kombi, 6000 kv: IC2	Combinaison moteur sans balais/ESC 2-en-1 Firma, 6 000 kv : IC2	Combo 2-in-1 motore/ESC brushless Firma, 6000 Kv: IC2
SPMSR315	SR315 DSMR 3 CH Receiver	SR315 DSMR 3-Kanal-Empfänger	Récepteur SR315 DSMR 3 canaux	Ricevitore SR315 DSMR 3 CH
SPMXC0040	S10 Smart G2 LiPo USB-C Charger w/ IC2 Connector	S10 Smart G2 LiPo USB-C Ladegerät mit IC2-Anschluss	Chargeur USB-C S10 Smart G2 LiPo avec connecteur IC2	Caricabatterie S10 Smart G2 LiPo USB-C con connettore IC2
LOS211019	Chassis & Mud Guards: Mini-T 2.0	Chassis und Schmutzfänger: Mini-T 2.0	Châssis et garde-boues : Mini-T 2.0	Parafanghi e paratelaio: Mini-T 2.0
LOS214011	Front & Rear Shock Tower: Mini-T 2.0	Vordere und hintere Stoßdämpferbrücke: Mini-T 2.0	Tour d'amortisseur avant et arrière : Mini-T 2.0	Torre ammortizzatori, ant./post.: Mini-T 2.0
LOS211018	Battery Strap Waterfall: Mini-T 2.0	Akku-Klemme Kaskade: Mini-T 2.0	Dispositif de maintien de batterie Waterfall : Mini-T 2.0	Fascetta batteria, Waterfall: Mini-T 2.0
LOS41010	Directional Mounted Front Tires, Yellow (2): Mini-T 2.0	Richtungsgebundene Vorderreifen, montiert, gelb (2): Mini-T 2.0	Pneus directionnels avant montés, jaunes (2) : Mini-T 2.0	Ruote direzionali montate ant., gialle (2): Mini-T 2.0
LOS41014	Directional Tires, FR, Mntd, Wht (2): Mini-T 2.0	Richtungsgebundene Reifen, Vorderreifen, montiert, weiß (2): Mini-T 2.0	Pneus directionnels avant montés, blancs (2) : Mini-T 2.0	Ruote direzionali montate ant., bianche (2): Mini-T 2.0
LOS41009	Step Pin Mounted Rear Tires, Yellow (2): Mini-T 2.0	Step-Pin-Hinterreifen, montiert, gelb (2): Mini-T 2.0	Pneus arrière Step-Pin montés, jaunes (2) : Mini-T 2.0	Ruote step-pin montate post., gialle (2): Mini-T 2.0
LOS41013	Pin Tires, Rear, Mounted, White (2): Mini-T 2.0	Pin-Hinterreifen, montiert, weiß (2) Mini-T 2.0	Pneus arrière montés à crampons, blancs (2) : Mini-T 2.0	Ruote step-pin montate post., bianche (2): Mini-T 2.0
LOS214014	Rear Shock Springs (3pr): Mini-T 2.0	Hintere Stoßdämpferfedern (3pr): Mini-T 2.0	Ressorts d'amortisseur arrière (3 paires) : Mini-T 2.0	Molle ammortizzatori post. (3 pr): Mini-T 2.0
LOS214015	Front Shock Springs (3pr): Mini-T 2.0	Vordere Stoßdämpferfedern (3pr): Mini-T 2.0	Ressorts d'amortisseur avant (3 paires) : Mini-T 2.0	Molle ammortizzatori ant. (3 pr): Mini-T 2.0
SPMRSLT300	SLT3 Transmitter	SLT3-Sender	Émetteur SLT3	Trasmettente SLT3
SPMX8125H2	810mAh 2S 7.4V Smart G2 50C LiPo; IC2	810mAh 2S 7,4V Smart G2 50C LiPo; IC2	LiPo Smart G2 50C 810 mAh 2S 7,4 V ; IC2	810 mAh 2S 7,4V Smart G2 50C LiPo; IC2

OPTIONAL PARTS | OPTIONALE BAUTEILE | PIÈCES OPTIONNELLES | PEZZI OPZIONALI

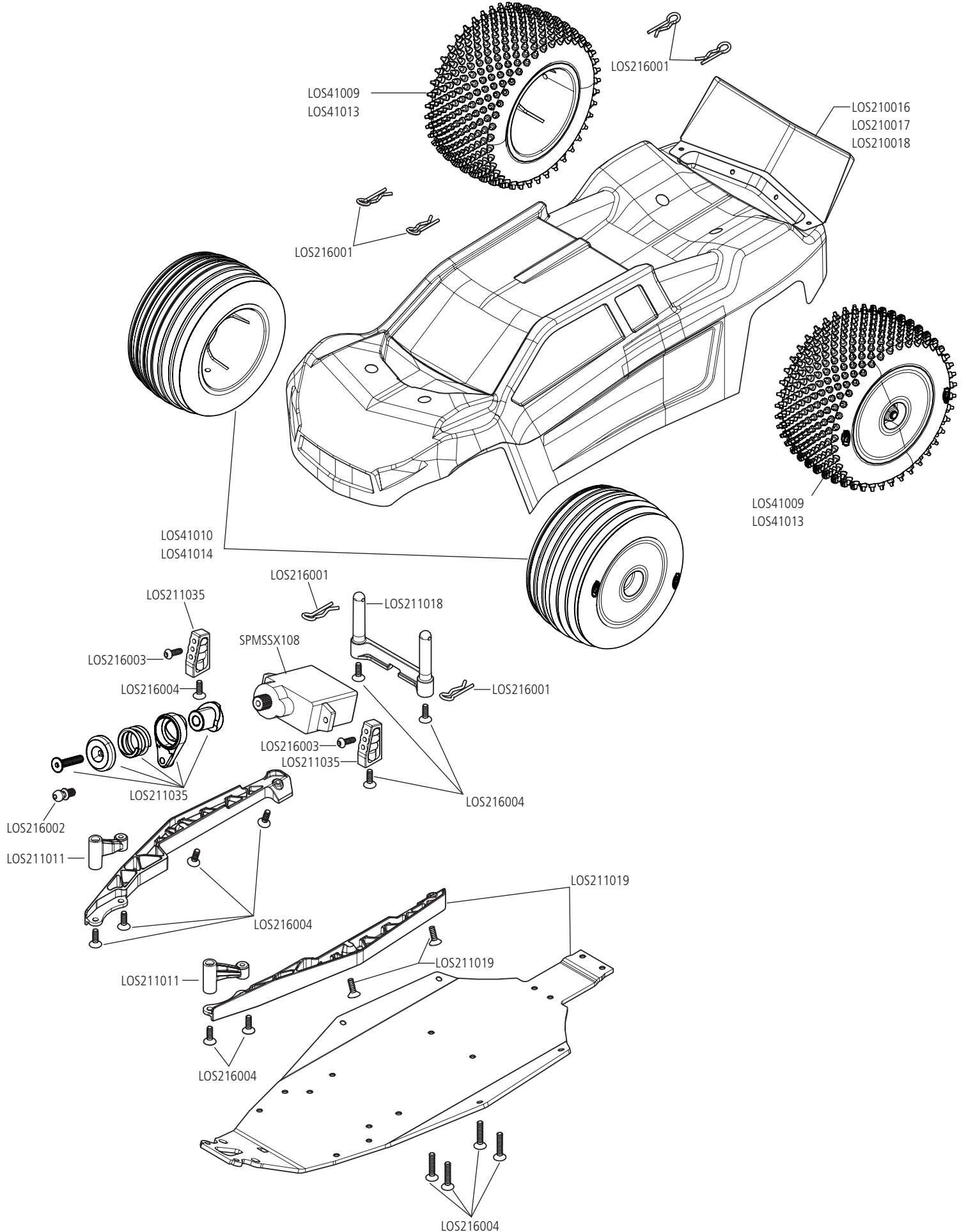
PART #	ENGLISH	DEUTSCH	FRANÇAIS	ITALIANO
LOS311011	Mini-T 2.0 Chassis Protective Tape, Precut (2)	Mini-T 2.0-Schutzband, vorgeschnitten, Karosserie (2):	Ruban de protection du châssis Mini-T 2.0, préécoupé (2)	Nastro protettivo telaio, pretagliato, Mini-T 2.0 (2)
LOS41008	1/18 BK Bar Front/Rear 1.4 Pre-Mounted Tires, 12mm Hex, Yellow: Mini-T 2.0	1/18 BK-Stange Front/Heck 1.4 vormontierte Reifen, 12 mm Sechskant, gelb: Mini-T 2.0	Pneus avant/arrière 1.4 BK Bar 1/18 prémontés, 12 mm, hexagonal, jaunes : Mini-T 2.0	Ruote 1/18 BK Bar ant./post. 1.4 premontate, 12 mm hex, gialle: Mini-T 2.0
LOS41012	FR/RR Wheel, White (4): Mini-T 2.0	Front/Heck-Reifen, weiß (4): Mini-T 2.0	Roue avant/arrière, blanche (4) : Mini-T 2.0	Ruote ant./post., bianche (4): Mini-T 2.0
LOS41011	FR/RR Wheel, Yellow (4): Mini-T 2.0	Front/Heck-Reifen, gelb (4): Mini-T 2.0	Roue avant/arrière, jaune (4) : Mini-T 2.0	Ruote ant./post., gialle (4): Mini-T 2.0
LOS210014	Body, Blue/White: Mini-T 2.0	Karosserie, blau/weiß: Mini-T 2.0	Carrosserie, bleue/blanche : Mini-T 2.0	Carrozzeria, blu/bianco: Mini-T 2.0
LOS210015	Body, Gray/White: Mini-T 2.0	Karosserie, grau/weiß: Mini-T 2.0	Carrosserie, grise/blanche : Mini-T 2.0	Carrozzeria, grigio/bianco: Mini-T 2.0
LOS210013	Body, Red/White: Mini-T 2.0	Karosserie, rot/weiß: Mini-T 2.0	Carrosserie, rouge/blanche : Mini-T 2.0	Carrozzeria, rosso/bianco: Mini-T 2.0
LOS210017	Body, Red: Mini-T 2.0 BL	Karosserie, rot: Mini-T 2.0 BL	Carrosserie, rouge : Mini-T 2.0 BL	Carrozzeria, rosso: Mini-T 2.0 BL
LOS210018	Body, Blue: Mini-T 2.0 BL	Karosserie, blau: Mini-T 2.0 BL	Carrosserie, bleue : Mini-T 2.0 BL	Carrozzeria, blu: Mini-T 2.0 BL

PART #	ENGLISH	DEUTSCH	FRANÇAIS	ITALIANO
DYNC0095	Adapter: EC2 Device/Banana Plugs (4mm)	Adapter: EC2-Gerät/Bananen-Stecker (4 mm)	Adaptateur : dispositif EC2/fiches bananes (4 mm)	Adattatore: Dispositivo EC2/Spine a banana (4 mm)
DYNT2010	Machined Nut Driver Set 4pc.MET	Set gefräste Steckschlüssel, 4tlg., metrisch	Ensemble tourne-écrou usiné 4pc métrique	Set di chiavi metriche (4)
LOS216001	Body Clips (6):Mini	Gehäuseklemmen (6):Mini	Clips de carrosserie (6) : Mini	Clip carrozzeria (6) Mini
LOS311001	Front Pivot, Aluminum: Mini-T 2.0	Vorderes Drehgelenk, Aluminium: Mini-T 2.0	Pivot avant, aluminium : Mini-T 2.0	Pivot anteriore, alluminio: Mini-T 2.0
LOS311002	Bellcranks and Drag Link, Alumimium: Mini-T 2.0	Umlenkhebel und Lenkzwischenstange, Aluminium: Mini-T 2.0	Leviers coulés et barre de direction, aluminium : Mini-T 2.0	Leve a squadra e tirante, alluminio: Mini-T 2.0
LOS311003	Caster Block, 0 Degree, L/R, Aluminum: Mini-T 2.0	Radblock, 0 Grad, links/rechts, Aluminium: Mini-T 2.0	Bloc de roulettes, 0 degré, gauche/droite, aluminium : Mini-T 2.0	Caster block, 0° SX/DX, alluminio: Mini-T 2.0
LOS311005	Hub Set, Rear, Aluminum: Mini-T 2.0	Nabensatz, hinten, Aluminium: Mini-T 2.0	Ensemble moyeu, arrière, aluminium : Mini-T 2.0	Set mozzo, post., alluminio: Mini-T 2.0
LOS311006	Pivot Block Set, Rear, Aluminum: Mini-T 2.0	Hinterer Lagerblocksatz, Aluminium: Mini-T 2.0	Ensemble de blocs pivots, arrière, aluminium : Mini-T 2.0	Set blocchi pivot post., alluminio: Mini-T 2.0
LOS311007	Front Brace Set, Aluminum: Mini-T 2.0	Frontstrebensatz, Aluminium: Mini-T 2.0	Ensemble support avant, aluminium : Mini-T 2.0	Set bretella ant., alluminio: Mini-T 2.0
LOS311008	Servo Mount Set, Aluminum: Mini-T 2.0	Servohalterungssatz, Aluminium: Mini-T 2.0	Ensemble support de servo, aluminium : Mini-T 2.0	Set supporto servo, alluminio: Mini-T 2.0
LOS311009	Camber Block, Front, Aluminum: Mini-T 2.0	Vorderer Radsturzblock, Aluminium: Mini-T 2.0	Cale de carrossage, avant, aluminium : Mini-T 2.0	Blocco camber ant., alluminio: Mini-T 2.0
LOS311010	Servo Arm, Aluminum: Mini-T 2.0	Servoarm, Aluminium: Mini-T 2.0	Bras de servo, aluminium : Mini-T 2.0	Squadretta servo, alluminio: Mini-T 2.0
LOS312004	Hex Set, Rear Axle, Aluminum: Mini-T 2.0	Sechskantsatz, Hinterachse, Aluminium: Mini-T 2.0	Ensemble écrou hexagonal, axe arrière, aluminium : Mini-T 2.0	Set hex, assale post., alluminio: Mini-T 2.0
LOS312005	Machined Aluminum Motor Plate:Mini-T 2.0	Motorplatte aus gefrästem Aluminium:Mini-T 2.0	Plaque moteur en aluminium usiné : Mini-T 2.0	Piastra motore alluminio lavorato: Mini-T 2.0
MIP20065	CVD Rebuild Kit: Losi Mini T/B 2.0	CVD-Umbausatz: Losi Mini T/B 2.0	Kit de reconstruction CVD : Losi Mini T/B 2.0	Kit ricostruzione CVD: Losi Mini T/B 2.0
MIP20070	Race TopShaft & Idler Gear Set: Losi Mini T 2.0	Race Obere Welle & Zwischenradsatz: Losi Mini T 2.0	Ensemble arbre supérieur et pignon intermédiaire Race : Losi Mini T 2.0	Set ingr. folle e albero superiore gara: Losi Mini T 2.0
MIP20080	Slipper Clutch Kit: Losi Mini T 2.0	Gleitkupplungssatz: Losi Mini T 2.0	Kit d'embrayage à friction : Losi Mini T 2.0	Set frizione antisaltellamento: Losi Mini T 2.0
MIP20090	MIP Ball Diff Kit, Losi Mini-T/B 2.0 Series	MIP Gelenk Differentialgetriebe-Set, Losi Mini-T/B 2.0 Series	Kit différentiel à billes MIP, série Losi Mini-T/B 2.0	Kit diff. a sfera MIP, Losi Mini-T/B 2.0
PRO356000	1/16 Axis Light Weight Clear Body: Mini-B	1/16-Achse, leicht, transparent: Mini-B	Carrosserie transparente légère 1/16 Axis : Mini-B	Carrozzeria trasparente leggera 1/16 Axis: Mini-B
RPM72082	Heavy Duty Front A-arms: Losi Mini-T 2.0/Mini-B	Heavy-Duty-A-Arme vorne: Losi Mini-T 2.0/Mini-B	Bras de commande A avant hautement résistants : Losi Mini-T 2.0/Mini-B	Bracci ad A per impieghi gravosi ant.: Losi Mini-T 2.0/Mini-B
RRP1817	Hard Blackened Steel Mini Pinion 2mm, .5 Mod 17T	Mini-Ritzel 2mm, harter geschwärtzter Stahl, 0,5 Modul, 17T	Mini pignon en acier dur noirci 2 mm, mod. 0,5, 17T	Mini pignone acciaio temprato e brunito 2 mm, .5 Mod 17T
RRP1818	Hard Blackened Steel Mini Pinion 2mm, .5 Mod 18T	Mini-Ritzel 2mm, harter geschwärtzter Stahl, 0,5 Modul, 18T	Mini pignon en acier dur noirci 2 mm, mod. 0,5, 18T	Mini pignone acciaio temprato e brunito 2 mm, .5 Mod 18T
SPMXCA320	Adapter: IC3 Battery / IC2 Device; 6	Adapter: IC3 Akku/IC2-Gerät; 6	Adaptateur : Batterie IC3/dispositif IC2 ; 6	Adattatore: Batteria IC3 / Dispositivo IC2; 6
SPMXCA321	Adapter: IC2 Device / EC2 Battery	Adapter: IC2-Gerät/EC2-Akku	Adaptateur : dispositif EC2/batterie IC2	Adattatore: Dispositivo IC2 / Batteria IC2
TLR310000	Front Wing, Mount: Mini-B, BL	Vorderflügel, Halterung: Mini-B, BL	Aile avant, support : Mini-B, BL	Supporto ala anteriore: Mini-B, BL
TLR310001	Carbon Wing Washer: Mini-B, BL	Tragflächen-Unterlegscheibe, Karbon: Mini-B, BL	Rondelle d'aile en carbone : Mini-B, BL	Rondella ala carbonio: Mini-B, BL
TLR312000	CVA Driveshaft Set: Mini-B, BL	CVA-Antriebswellensatz: Mini-B, BL	Ensemble d'arbre de transmission CVA : Mini-B, BL	Set albero trasmissione CVA: Mini-B, BL
TLR312001	Rear Hub, CVA: Mini-B, BL	Hinterer Nabe, CVA: Mini-B, BL	Moyeu arrière, CVA : Mini-B, BL	Mozzo posteriore, CVA: Mini-B, BL
TLR312002	Grooved Slipper Plate Set: Mini-B, BL	Gerillter Gleiterplattensatz: Mini-B, BL	Ensemble de plaques de sabot rainurées : Mini-B, BL	Set piastra scorrimento scanalata: Mini-B, BL
TLR313000	Front Shock Set Complete, Aluminum: Mini-B, BL	Vorderer Stoßdämpfersatz komplett, Aluminium: Mini-B, BL	Ensemble d'amortisseurs avant complet, aluminium : Mini-B, BL	Set completo ammortizzatori ant., alluminio: Mini-B, BL
TLR313001	Rear Shock Set Complete, Aluminum: Mini-B, BL	Hinterer Stoßdämpfersatz komplett, Aluminium: Mini-B, BL	Ensemble d'amortisseurs arrière complvet, aluminium : Mini-B, BL	Set completo ammortizzatori post., alluminio: Mini-B, BL
TLR313002	Front Spring 3.8lb/in: Mini-B, BL	Vordere Feder, 3,8lb/in: Mini-B, BL	Ressort avant 0,43 Nm (3,8 lbs-po) : Mini-B, BL	Molla anteriore 3,8 lb/in: Mini-B, BL
TLR314001	Front Sway Bar Set: Mini-B, BL	Front-Schwingensatz: Mini-B, BL	Ensemble de barres stabilisatrices avant : Mini-B, BL	Set barra antirollio ant.: Mini-B, BL
TLR314002	Rear Sway Bar Set: Mini-B, BL	Heck-Schwingensatz: Mini-B, BL	Ensemble de barres stabilisatrices arrière : Mini-B, BL	Set barra antirollio post.: Mini-B, BL
TLR314003	Camber Block Front V2, Aluminum: Mini-B, BL	Vorderer Radsturzblock V2, Aluminum: Mini-B, BL	Cale de carrossage avant V2, aluminium : Mini-B, BL	Blocco camber ant. V2, alluminio: Mini-B, BL
TLR314004	Rear Sway Bar Mount: Mini-B, BL	Halterung Heck-Schwinge: Mini-B, BL	Support de barres stabilisatrices arrière : Mini-B, BL	Supporto barra antirollio post.: Mini-B, BL
TLR314005	Adjustable Aluminum Pivot Set, C & D: Mini-B, BL	Anpassbarer Drehgelenksatz, Aluminium, C & D: Mini-B, BL	Ensemble de pivots ajustable en aluminium, C & D : Mini-B, BL	Set pivot regolabile alluminio, C & D: Mini-B, BL
TLR314006	Insert Set, Adjustable Pivot: Mini-B, Drag Car	Einbau-Satz, anpassbares Drehgelenk: Mini-B, Drag Car	Ensemble d'inserts, pivot ajustable : Mini-B, Drag Car	Set inserti, pivot regolabile: Mini-B, Drag Car
SPMXC1020	Smart S120 USB-C Charger, 1x20W	Smart S120 USB-C-Ladegerät, 1 x 20 W	Chargeur Smart S120 USB-C, 1x20 W	Caricabatterie Smart S120 USB-C, 1x20 W
SP-MX6502SH2	650mAh 2S 7.4V 30C Mini LiPo; IC2	650 mAh 2S 7,4 V 30C Mini LiPo; IC2	Mini LiPo 650 mAh 2S 7,4 V 30C ; IC2	650 mAh 2S 7,4V 30C Mini LiPo; IC2
SPMX652SH2	650mAh 2S 7.4V Smart G2 30C LiPo; IC2	650 mAh 2S 7,4 V Smart G2 30C LiPo; IC2	LiPo Smart G2 30C 650 mAh 2S 7,4 V ; IC2	650 mAh 2S 7,4V Smart G2 30C LiPo; IC2
SP-MX8102SH2	810mAh 2S 7.4V 50C Mini LiPo; IC2	810 mAh 2S 7,4 V 50C Mini LiPo; IC2	Mini LiPo 810 mAh 2S 7,4 V 50C ; IC2	810 mAh 2S 7,4V 50C Mini LiPo; IC2



MINI-T™ 1:18 BRUSHLESS 2WD TRUCK, RTR

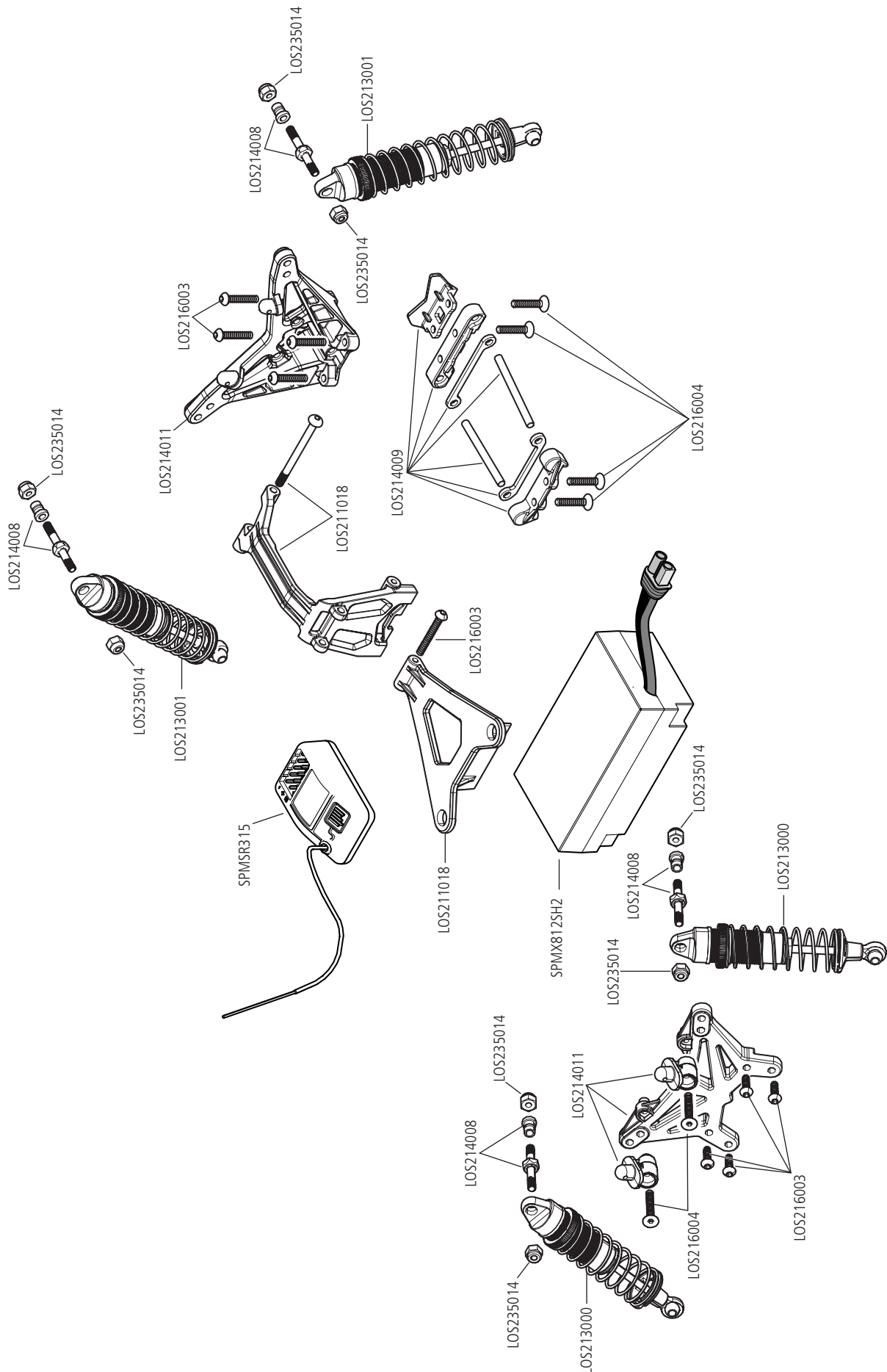
EXPLODED VIEW // EXPLOSIONSZEICHNUNG // VUE ÉCLATÉE DES PIÈCES // VISTA ESPLOSA DELLE PARTI





MINI-T™ 1:18 BRUSHLESS 2WD TRUCK, RTR

EXPLODED VIEW // EXPLOSIONSZEICHNUNG // VUE ÉCLATÉE DES PIÈCES // VISTA ESPLOSA DELLE PARTI





WWW.LOSI.COM