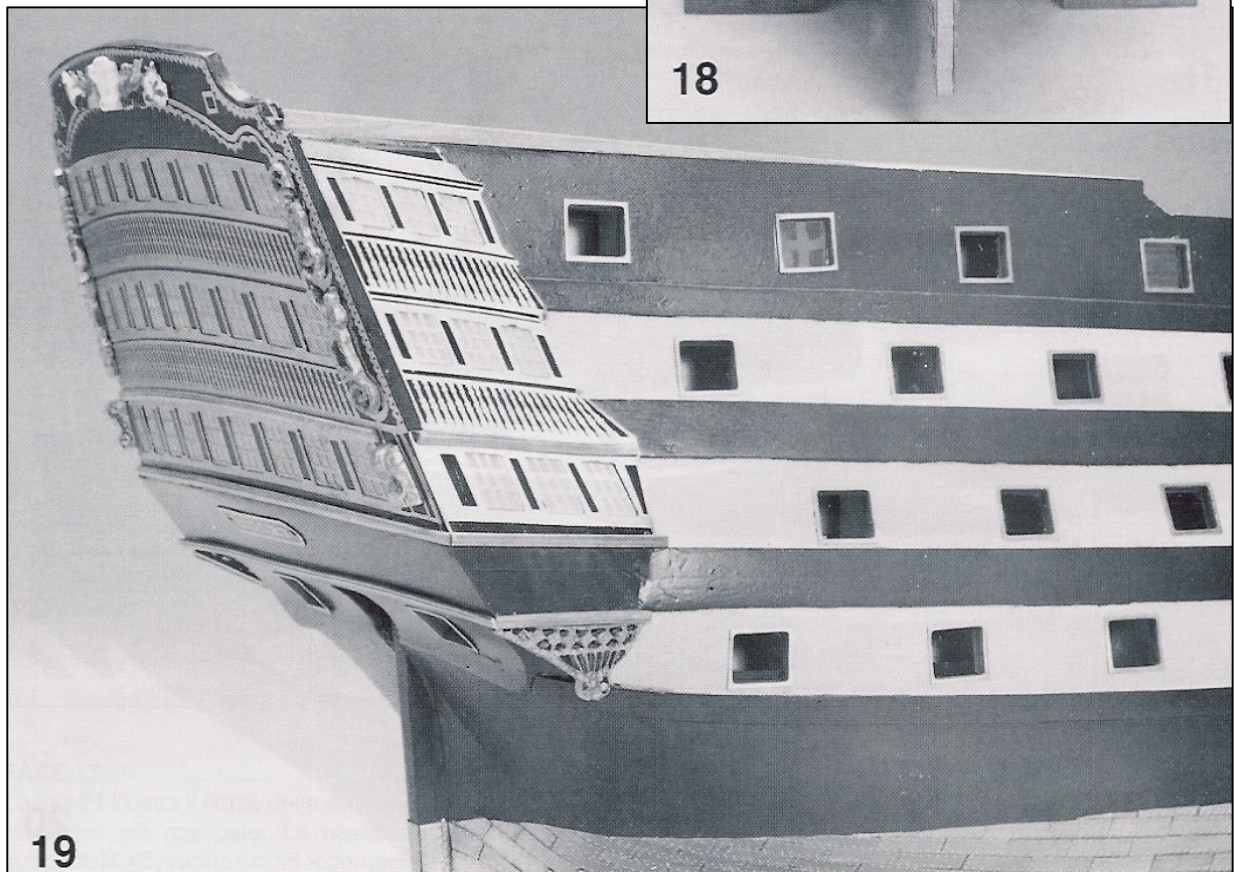
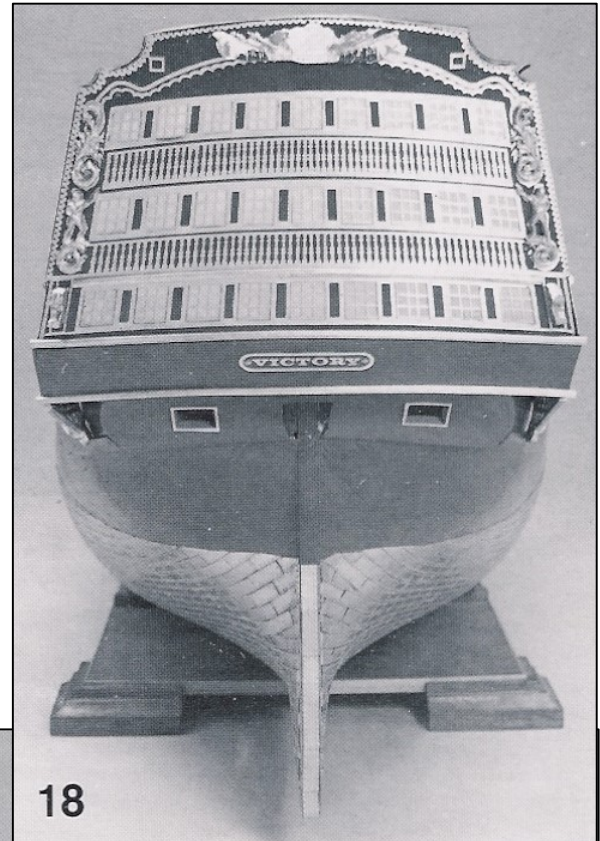
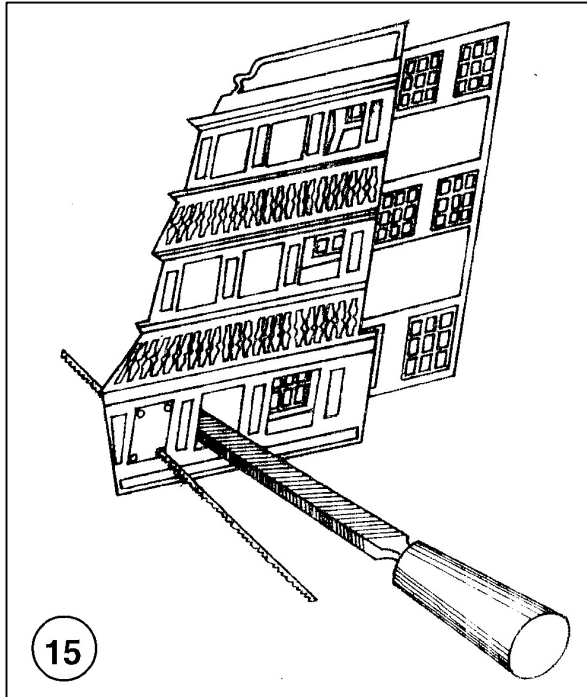


## STEP 14: Finishing the Stern Galleries

From the photo-etched brass sheet cut out the stern galleries and transom. Following **Fig.15** cut out the gallery windows. Paint the parts as shown in the colour illustration on the kit's box, with windows light blue and the stanchions dark blue. When dry, sand the surface with 400-grain emery-paper to expose the raised brass parts. Varnish over. Fix the parts onto the stern with instant glue. Add castings and brass profiles as shown in **Photo.18** and **19**. Paint the flag-and-lily emblem as shown in the colour illustration on the kit's box. Trim the transom and the rear edges of the stern cabins with 0.5x3 Walnut strip painted black, as shown in **Photo.19** below.





## STEP 15: Building the Bow

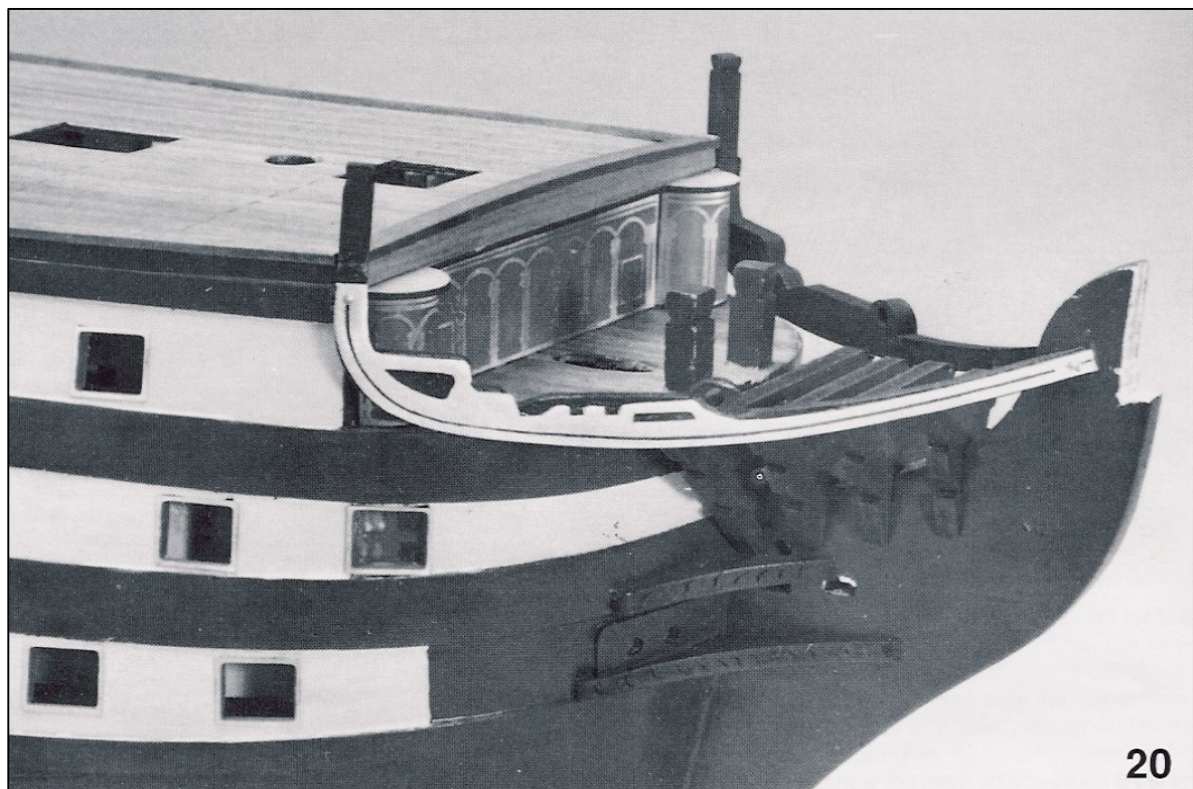
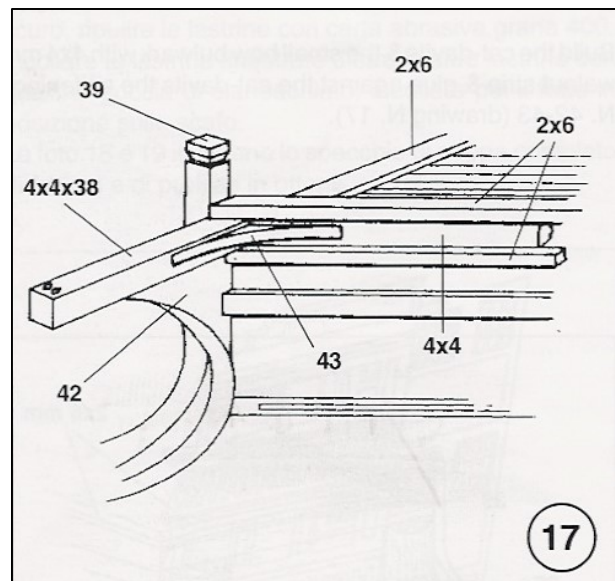
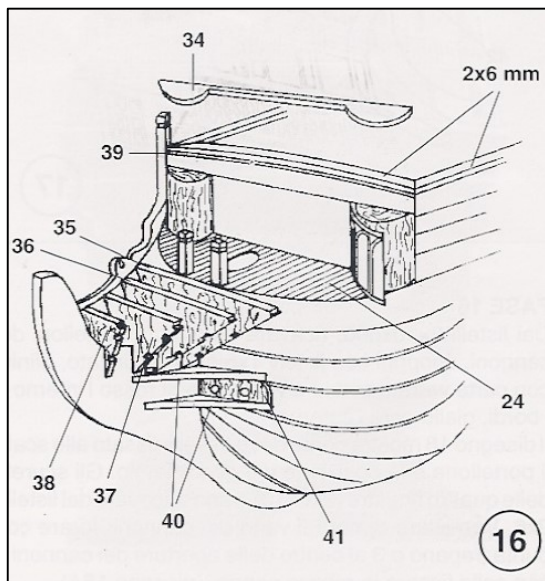
From the photo-etched brass sheet cut out the bow roundhouse and cabin parts and finish with a file. Paint the incised areas light blue. When dry, sand the surface with 400-grain emery-paper to expose the raised brass parts. Varnish over.

Form the two roundhouse panels around half round wood pieces  $\varnothing 17 \times 22$ . Following **Fig.16**, glue the roundhouse blocks and the central cabin plate on the deck n.24. Assemble the small roof N. 34 over the roundhouses and fit a strip of 1x6 Walnut over. Paint n.34 yellow ochre and the strip light blue.

Fit the four bow support parts n.35, 36, 37 and 38 and both herpes n.39. Fit the herpe decoration strips cut from the photo-etched brass sheet and painted light blue. Shape and glue the four lower bow supports n.40 and 41.

Make the bulwark handrails around the forecastle deck and above the cat-davits from 2x6 Walnut plank. Make the cat-davits and the small bow bulwark from 4x4 Walnut plank and fix the support brackets n. 42 and 43 against the cat-davits, as shown in **Fig.17**.

Paint the bow items as shown on the colour illustration on the kit's box.

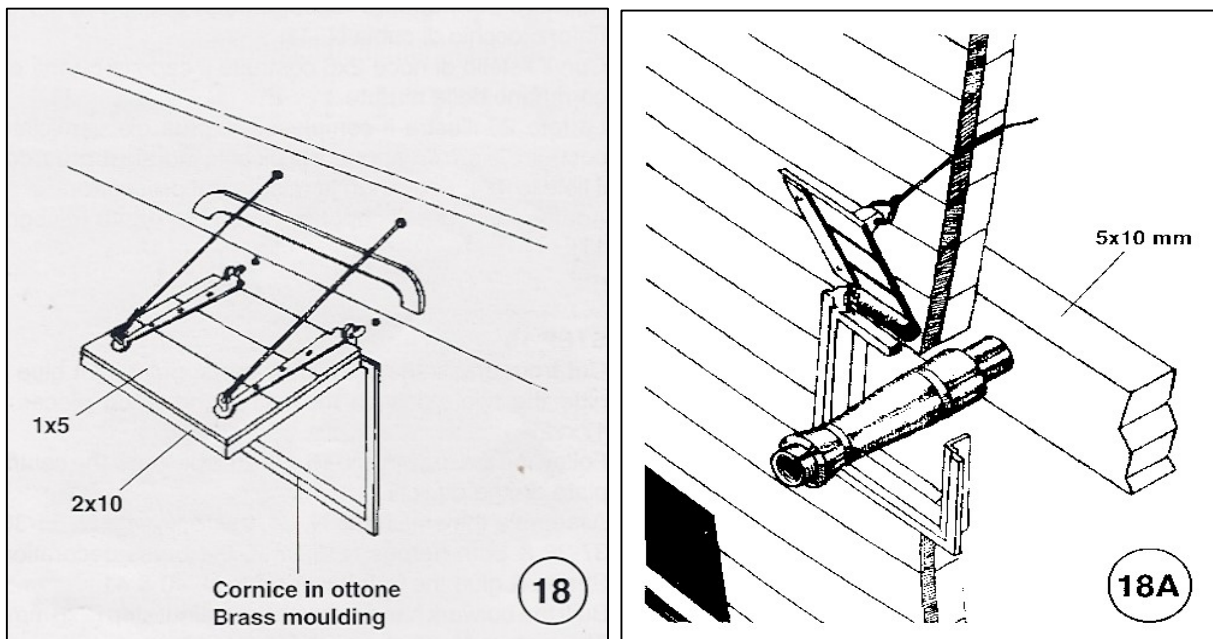


## STEP 16: Fitting the Gunport Lids

Refer to the side view on **Plan 4** for the positions of the gunport lids and window shutters. There are thirty-nine gunport lids to be fitted to each side of the ship, plus two lids under the stern. Cut eighty gunport lids 10 high by 12 wide from 2x10x600 Walnut strips and plank one side with 1x5 Walnut. Sand the parts and paint the inside face red and the outside yellow ochre. Make eight window shutters measuring 2x6x10 from 2x6 Walnut. Paint the inside face red and the outside yellow ochre. When dry, glue them to the window frames as shown on **Plan 4**

Paint the dummy cannon barrels matt black. Drill a  $\varnothing 3$  hole through the centre of each gunport into the dummy cannon barrel strip and glue a dummy barrel in each gunport. See **Fig.18A**. Carefully drill a hole through each stern gunport into frame n.13 and glue in a dummy barrel.

**Fig.18** shows how to fix the port-lids to the hull using the brass parts supplied. Fix the brass drip-mouldings to the hull as shown in **Plan 4**.

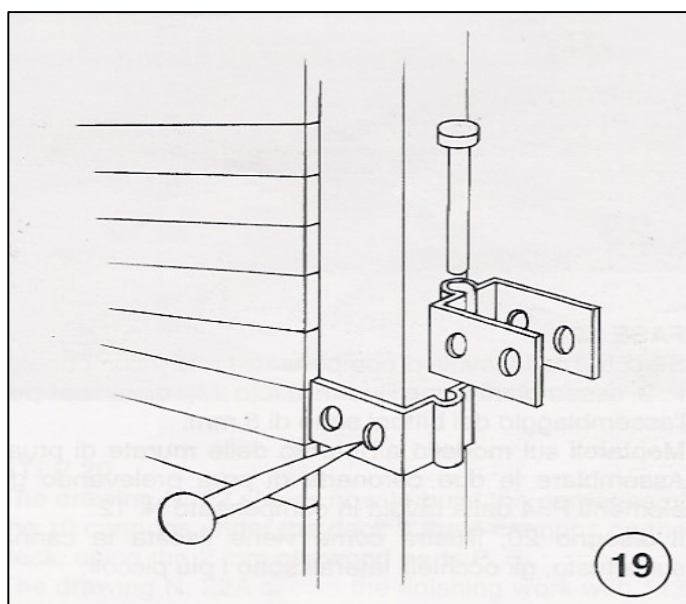


## STEP 17: Rudder, Herpe Deck and Figurehead.

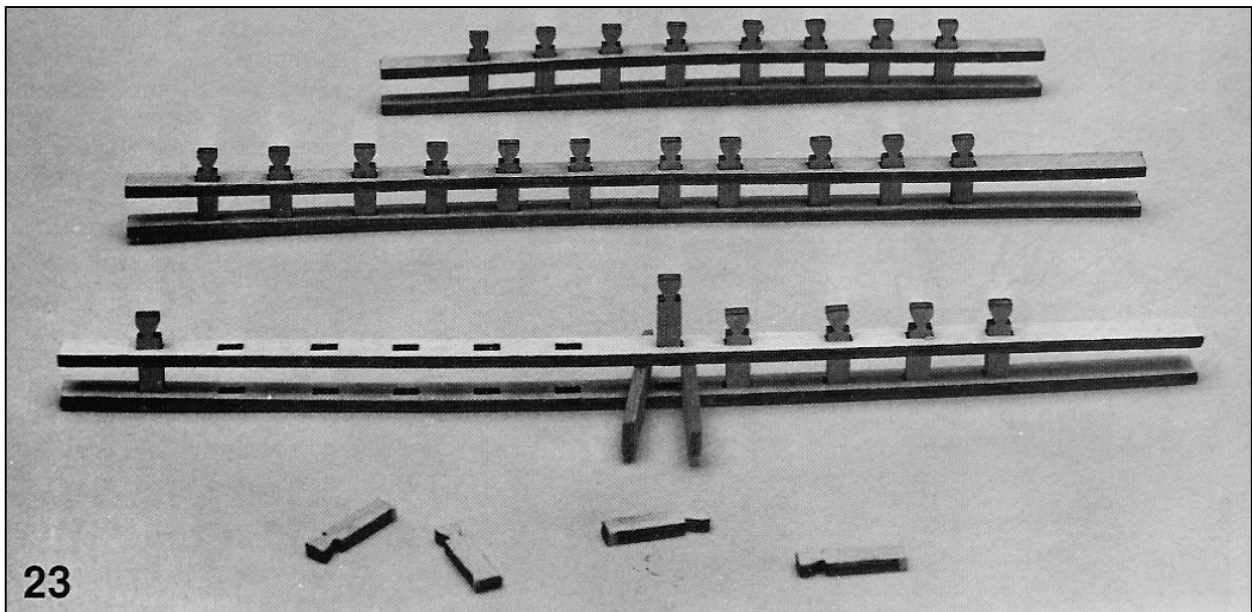
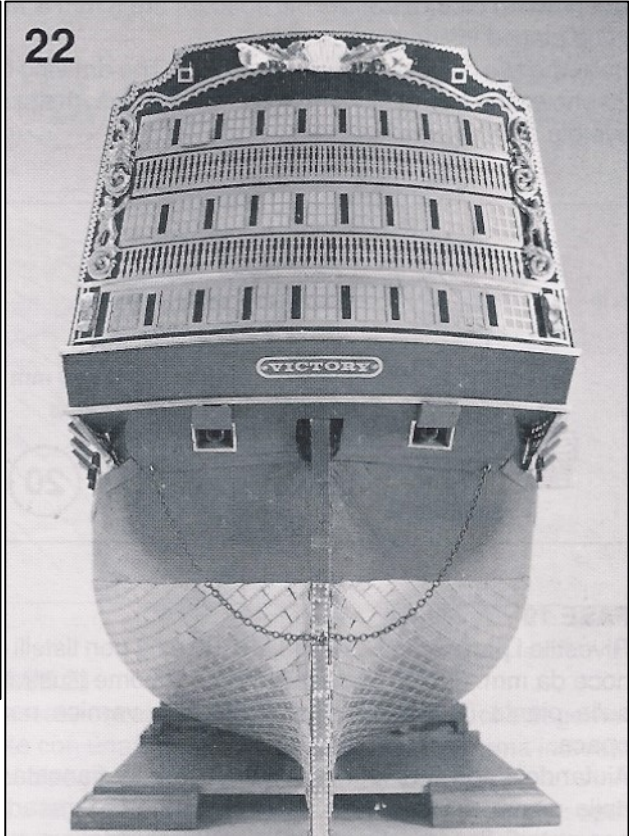
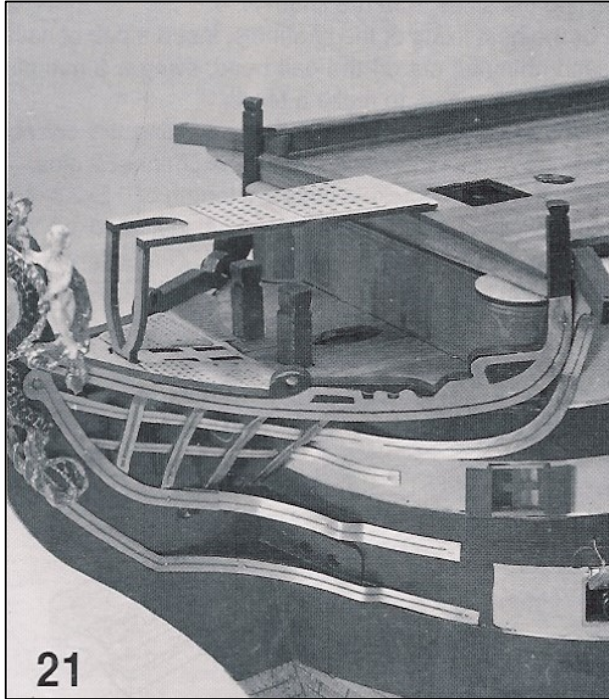
Paint the rudder black and fit the five shackle hinges to the rudder and to the keel in the positions shown on **Plan 4** and referring to **Fig.19** opposite. Glue the five hinge pins in place with instant glue. Fit three brass eyelets and the restraining chain to the stern as shown in **Photo.22**.

**Photo.21** shows the herpe deck n.44 fitted with photo-etched brass decorations (painted light blue). The marine walk n.46 together with the support n.45 are fitted after the bowsprit has been assembled. Fix to the hull the lower herpes and the frame ribs, drilling  $\varnothing 0.7$  holes through the brass plate to insert brass nails.

Fettle the figurehead with a file and paint the angels and the shield with the colours shown in the colour illustration on the kit's box.



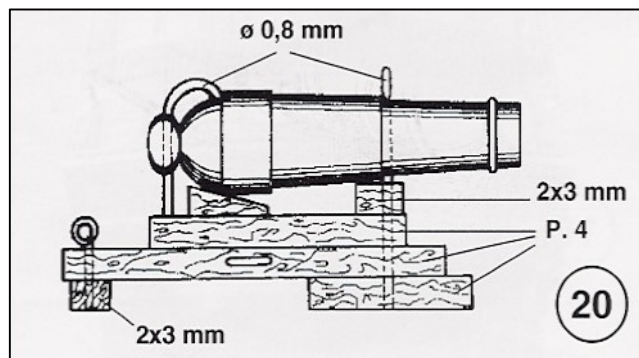




### STEP 18: *Bits and Carronades*

**Bits:** Assemble plywood parts n.12 and parts P.3 as shown in **Photo.23**; Use 5mm strip to space the rails 5mm apart until the glue has set. Fix the assemblies in place inside the bulwarks on the forecastle deck.

**Carronades:** These two bow-mounted cannon are made from plywood parts P.4, 2x3 strip and  $\varnothing 0.8$  brass wire. **Fig.20** shows the barrel assembly on the carriage; the side eyelets are the smallest supplied. Paint the barrels black and the carriages yellow ochre. Fix to the deck and rig as shown in **Photo.24**.





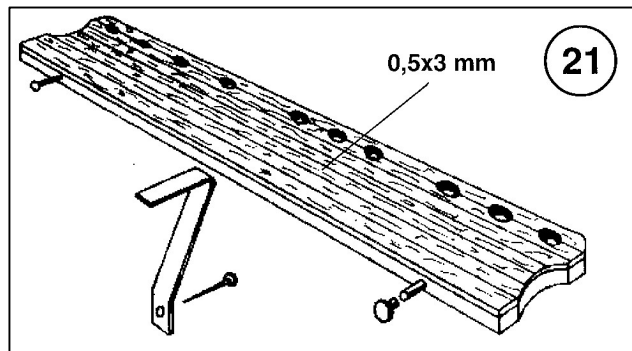
## STEP 19: Fitting the Channels

Plank the channels n.47, 48, 49, 50 and 51 with 0.5x3 Walnut strips. Sand and paint black.

Draw on both sides of the hull the exact positions of the channels taking the dimensions from the side view on **Plan 4**

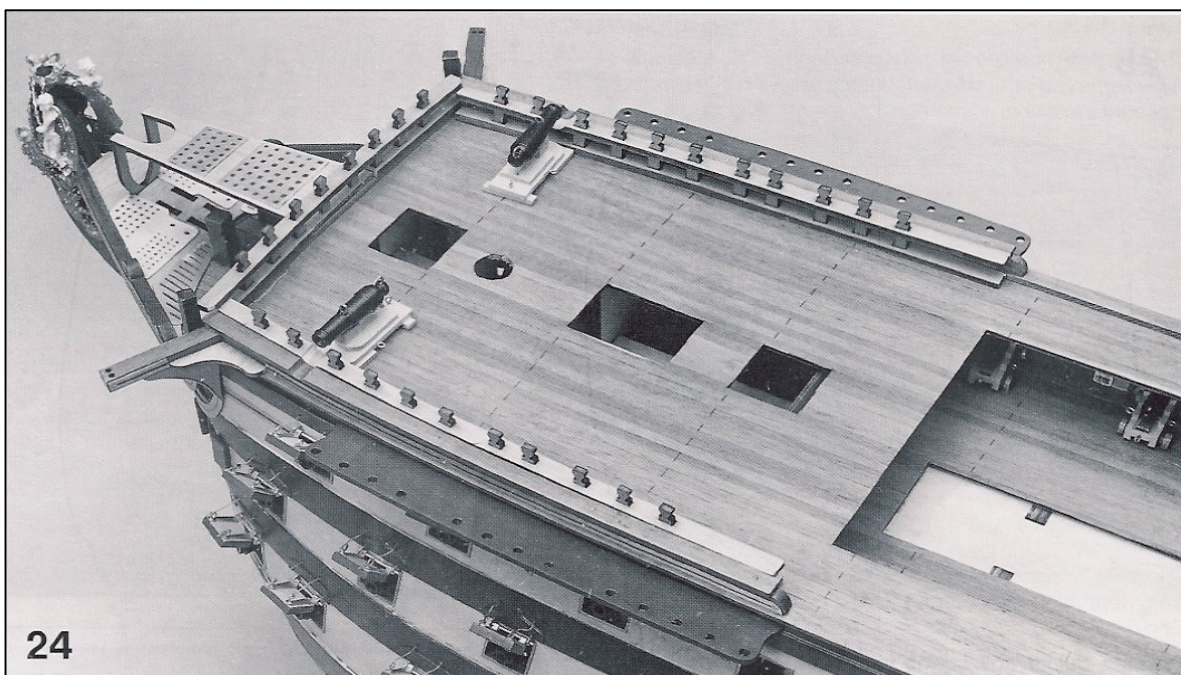
As shown in **Fig.21**, insert a pair of nails in each channel to act as tenons, cut off the nail head leaving a 5mm tenon to insert in the hull.

Drill two holes on the hull for each channel, drawing the correct position of the tenons and than insert the channel and glue in place.



Build the metal brackets from a length 0.5x2.5 metal strip; shape the bracket as shown in **Fig.21** to the dimensions shown on Plan 4; glue to the channels and nail to the hull.

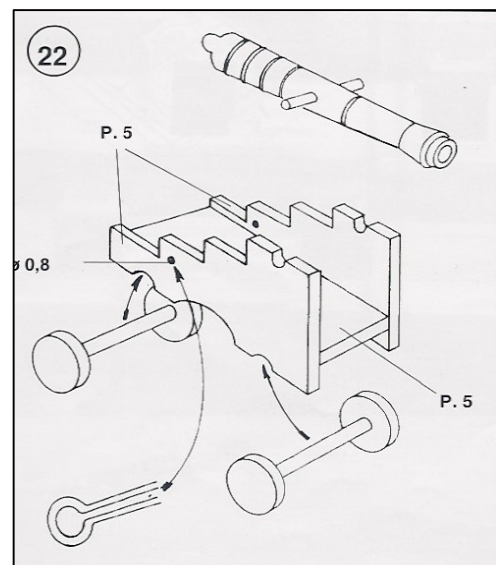
**Photo.24** shows the bits, the carronades and the foremast channels in place.

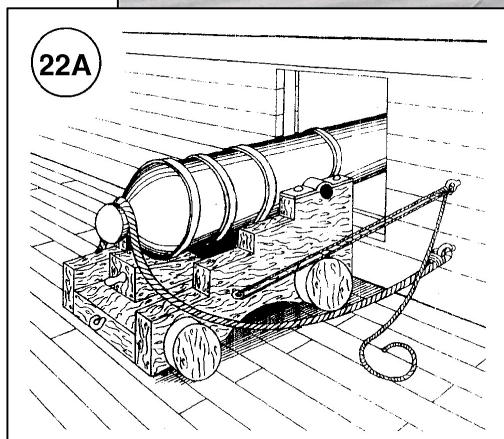
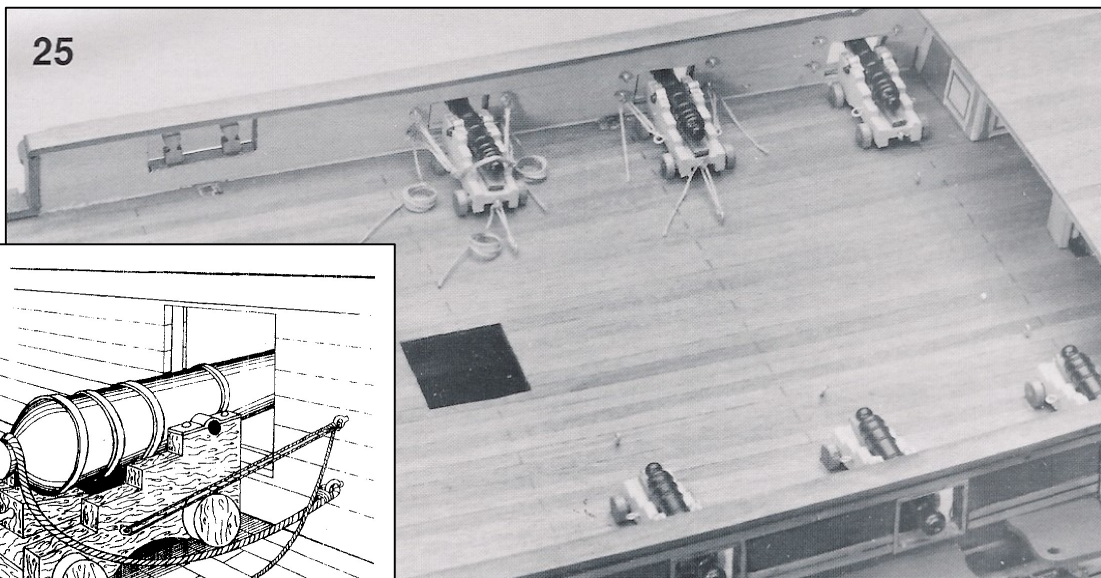


## STEP 20: Building the Cannons

**Fig.22** shows how to build the carriages of the ten cannons on the upper gun deck and the six cannons on the quarterdeck, from plywood parts P.5, the wheel-and-axle sets, brass trunnion brackets, brass nails, and rigging eyelets supplied. Fill in the front and rear parts of the carriage with 1x3 Walnut plank as shown in **Fig 22A**. Make up Walnut aiming wedges and insert under the barrel to elevate or depress the guns correctly. Paint the cannon barrels black and the carriages and wheels yellow ochre.

Rig the cannons with  $\varnothing 0.50$  rope as shown in **Fig.22A**, using brass eyelets and  $\varnothing 0.50$  mm rope rigging. **Photo.25** shows the cannons and their riggings in place on the quarterdeck. Use drops of instant glue to hold the carriages and ropes in place on the deck.



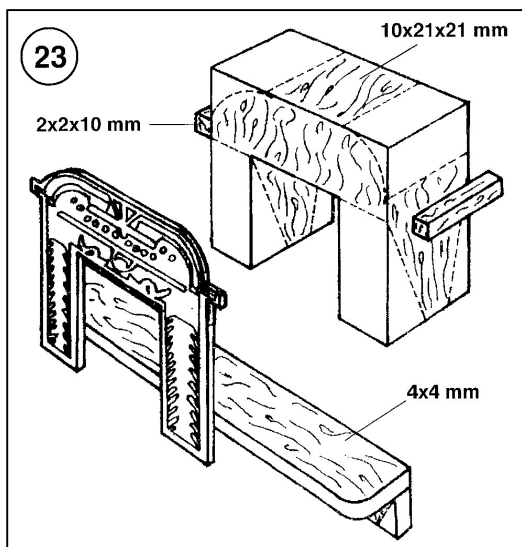
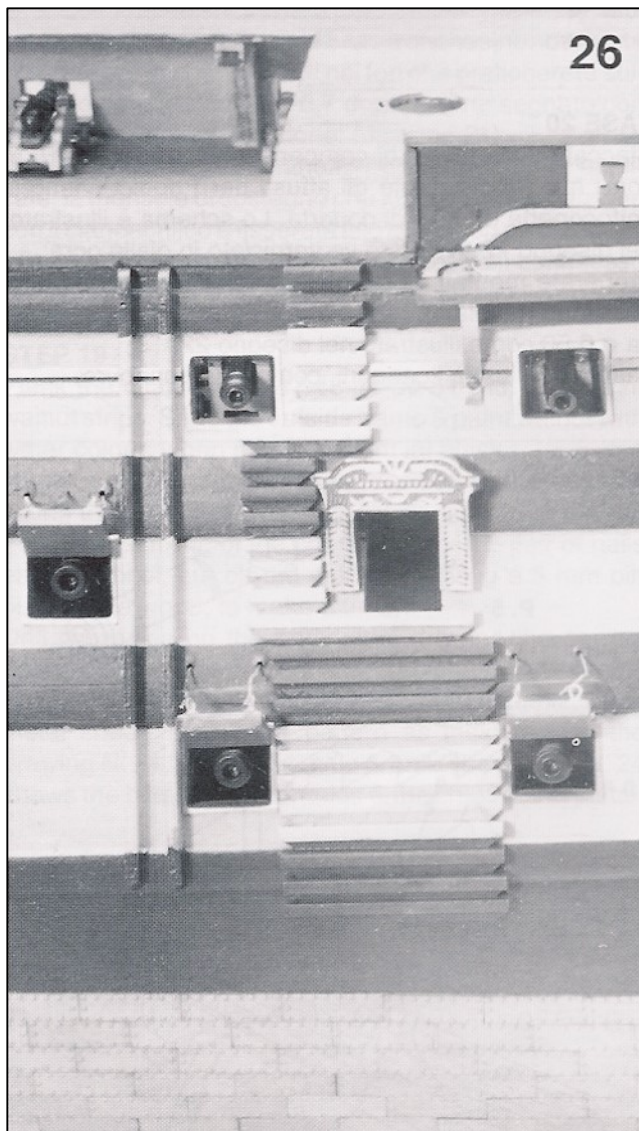


### STEP 21: Side Doors and Sea Gangways

Shape the roofs of the two side doors P.6 supplied with a file following **Fig.23**. Add the 2x2x10 Walnut strips and paint the assemblies yellow ochre. Cut the door panels from the photo-etched brass sheets, paint the details light blue and glue them on the side doors. Fix the doors to the hull sides as shown in **Photo.26** and **Plan 4**.

Finish and paint the four slipways n.52. Fix on each side of the hull as shown in **Photo.26**.

Cut the 'sea gangway' steps from the 4x4 "L"-shaped strip supplied taking the dimensions and positions from **Plan 4**. Sand, paint and glue in place on each side of the hull, as shown in **Fig.26**.





## STEP 22: Hatchways and Gratings

Take the hatchway and grating sizes from **Plan 4** and the construction from **Fig 24**. Assemble the gratings using the special grooved strips supplied and frame them with 2x4 Walnut strips. Secure the gratings with instant glue. Fix the hatchway lids P.7 with brass hinges.

Form the front and rear undersides with a half round file to fit the frames to the curve of the decks as shown in **Fig.24A**.

Varnish the gratings and hatchways before fixing them in place on the decks.

## STEP 23: Framing the Waist

The waist (deck opening) over the upper gundeck is framed with timbers into which the lifeboat supports are slotted and these are supported on a series of stanchions resting on the upper gundeck either side of the gratings (which are just visible in **Photo 27**). **Plan 4** gives the details of this structure.

Trial-fit the lifeboat supports n.54 into the framing planks n.53 as shown in **Fig.25** below. Ensure that the assembly will fit exactly into the waist aperture. Glue and paint yellow ochre. Put to one side.

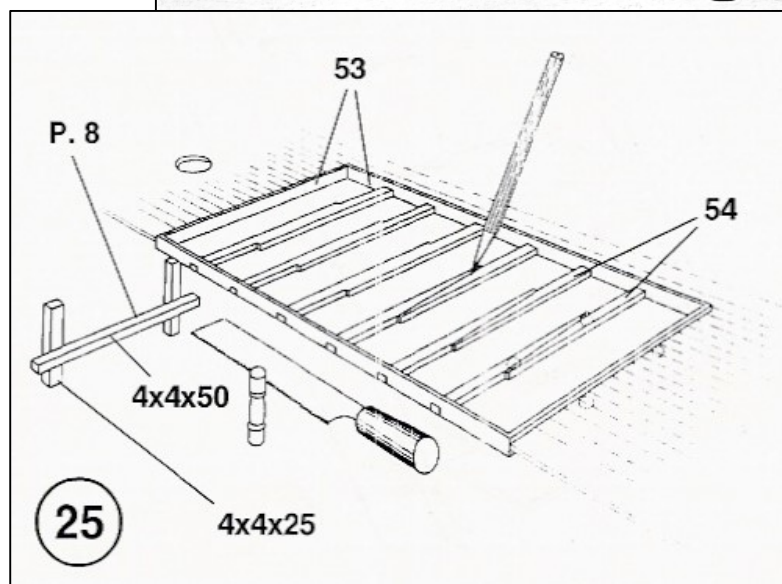
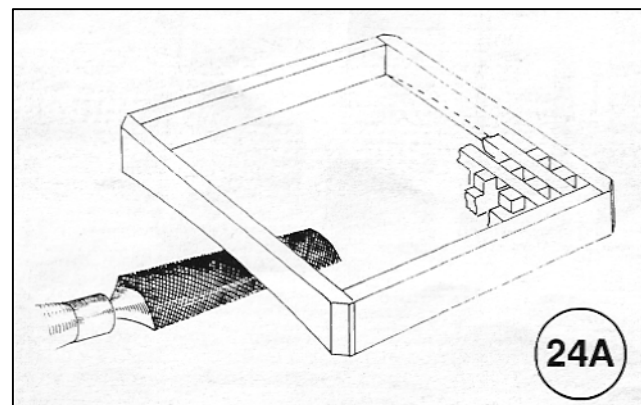
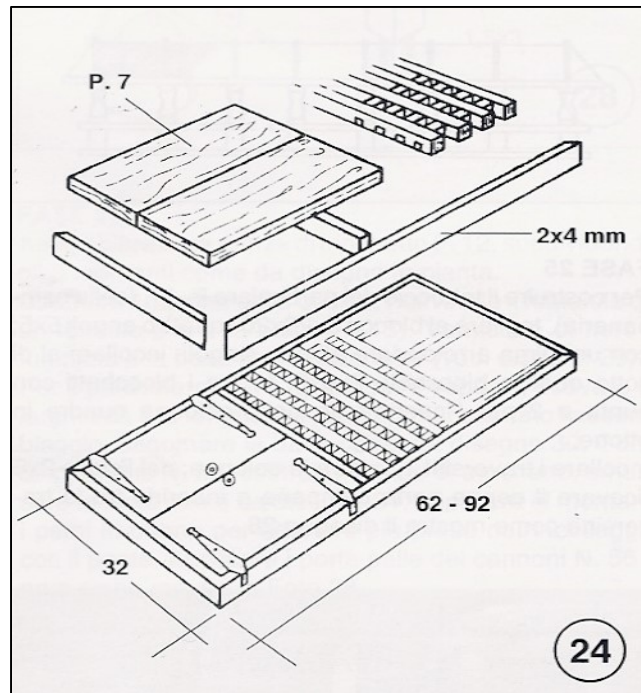
Assemble the quarterdeck support set P.8 with 4x4 Walnut plank as shown in **Fig.25** and **Plan 4**. Before gluing, ensure that it will fit under the end of the quarterdeck. Glue and paint yellow ochre. Glue in place under the quarterdeck.

Cut to size twelve of the fourteen 5x26 stanchions so that when the frame/lifeboat support assembly sits on these stanchions the framing planks protrude 2mm above the quarterdeck. Glue the twelve stanchions under the six lifeboat supports either side of the gratings. Fit two more stanchions under the foreccastle transom.

Remove from the brass sheet the 24 handrail stanchions B, mark the positions, as taken from **Plan 4**, with a soft pencil. Drill  $\varnothing 1$  holes then glue the stanchions in place with the rings aligned for the handrail ropes to be threaded later.

Fix the frame/lifeboat support assembly into the waist and secure with glue.

Make the handrail with  $\varnothing 0.50$  rope. Secure the end knots with drops of instant glue.



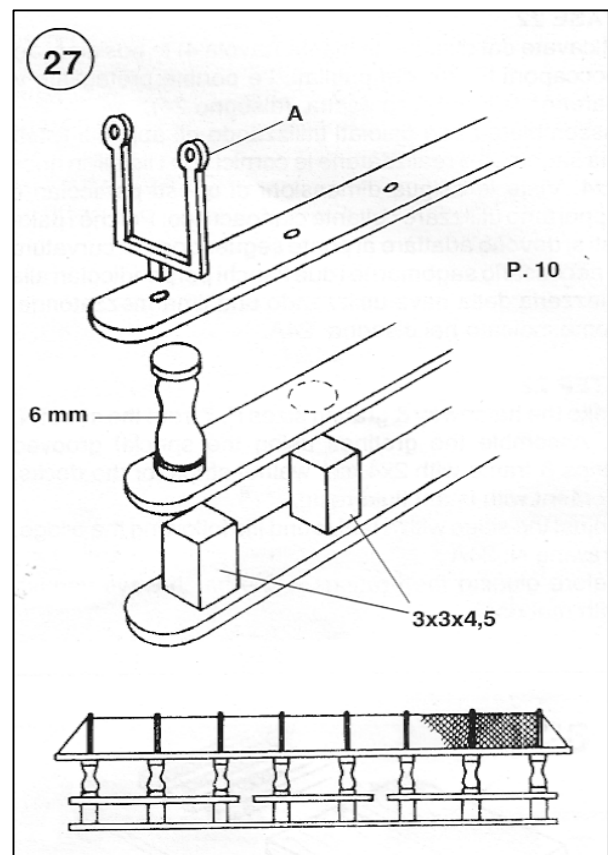
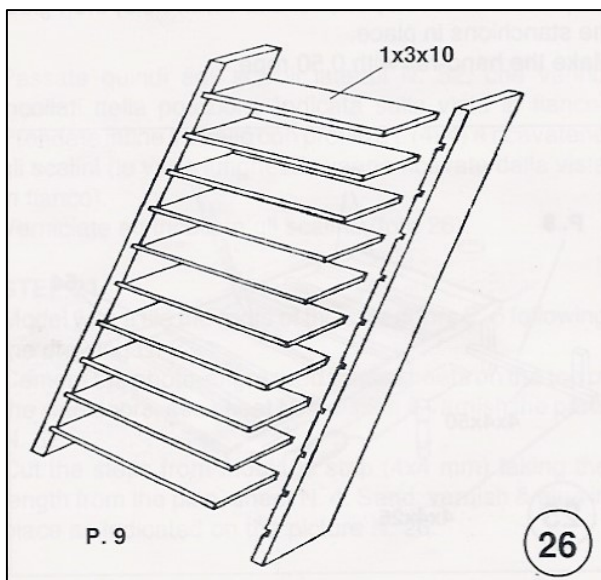
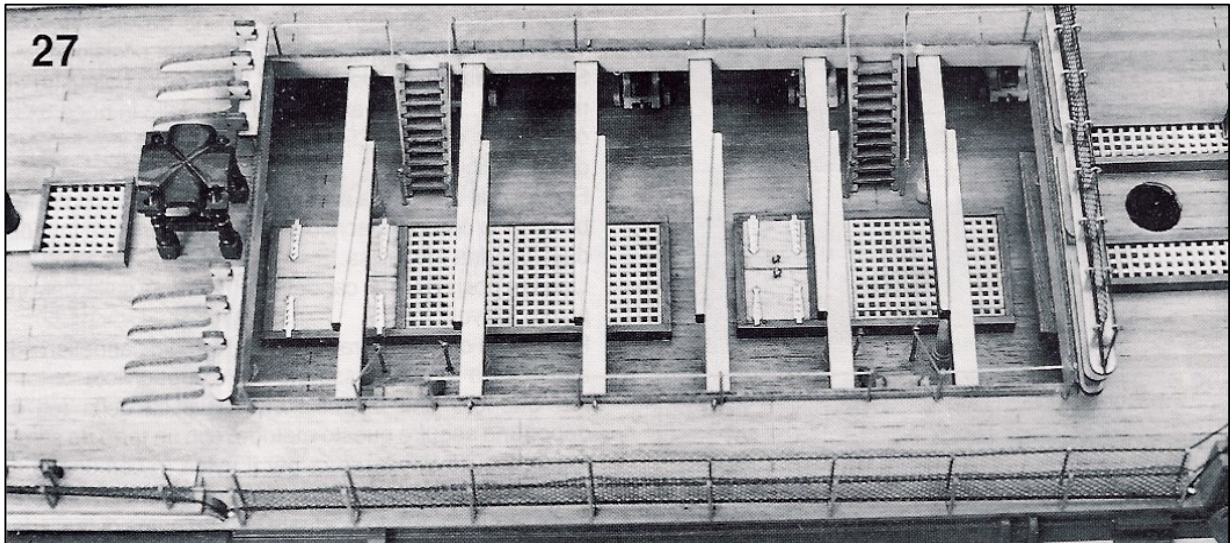
## STEP 24: Ladders, Banisters and Hammock-Netting

Assemble the four ladders following **Fig.26**, varnish and glue in place in the waist.

Make the main banister as shown in **Fig.27** below from plywood parts P.10; eight cube blocks cut from 3x3 mm walnut plank and the Ø6 banister supports supplied.

Drill Ø1 holes in the upper banister strip and insert the 'U'-shaped brass stanchions A cut from the photo-etched brass sheet, and taking measurements from **Plan 4**.

Thread Ø0.5 rope through the stanchion balls and place the hammock netting in the 'U' channel: Tip: With a low temperature steam iron (*the net is made in nylon: take care of the correct temperature of your iron*), flatten the netting before cutting it to size. U-fold the netting and iron the corners to make sharp right angles to help the netting sit in place correctly. Fix in place with small drops of instant glue (see **Photo.27**).





## STEP 25: Making the Belfry

**Fig.28** shows how to make the belfry P.1: to make the roof, cut 5x5 pieces out of the four corners of the 5x20x20 block supplied; shape the eight edges and the undersides with a file; glue at the bottom of the roof four 2x6x6 pieces of walnut. Drill a  $\varnothing 2$  hole in each block and insert the four square brass stanchions supplied.

Glue 1.5x3 planks between the stanchions and cut from 2x6 plank the bell stock and place in position the bell set as shown on the drawing **Fig.28**. Paint and fix in place on the rear of the forecastle deck as shown in **Plan 4**.

## STEP 26: Fife Rails, Chimney and Cannonball-Racks

Assemble the P.12 fife rails from plywood parts P.12 filing the slots in the eight pillars to take the rails and the bases to fit the shape of the deck, as shown on **Plan 4**.

Make the chimney as shown in **Fig.29** from  $\varnothing 6$  dowel and the plywood base P.13. Paint the chimney black and varnish the base.

To build the P. 14 gratings take sizes from **Plan 4** and when assembled, shape the bases following the curvature of the deck, as shown in **Fig.30**.

Assemble the bits N. 55 and shape the heads following **Fig.31** with sandpaper. Fix tenons in the base made from brass wire. Varnish the bits, drill the deck and glue in place.

**Photo.28** shows the assembly of the cannonball racks n. 56 onto the bulwarks.

