

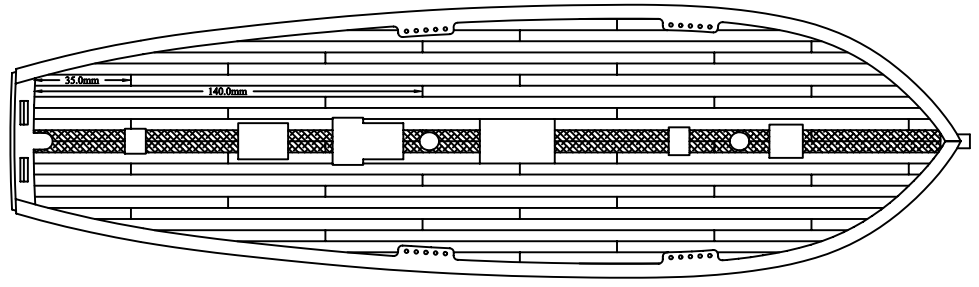
HM Schooner Pickle
Scale 1:64
Sheet 2 of 6
Fittings & Belaying Plan

Heritage Series
Model Code
9018

Manufactured & Distributed in the U.K. by JoTiKa Ltd., Model Marine Warehouse, Hadzor, Droitwich, Worcestershire, WR9 7DS.
 Telephone: 01905 776 073 Fax: 01905 776 712 E-Mail: heritage@jotika-ltd.com
 Web Address: http://www.jotika-ltd.com
 U.S. Distributor: Aeromarine Laminates Inc., 22762 Sussex Hwy, Seaford Delaware, DE 19973.
 Telephone: 302 628 3944 Fax: 302 628 3945 E-Mail: aeromarine@erols.com
 Web Address: http://www.aeromarine.com

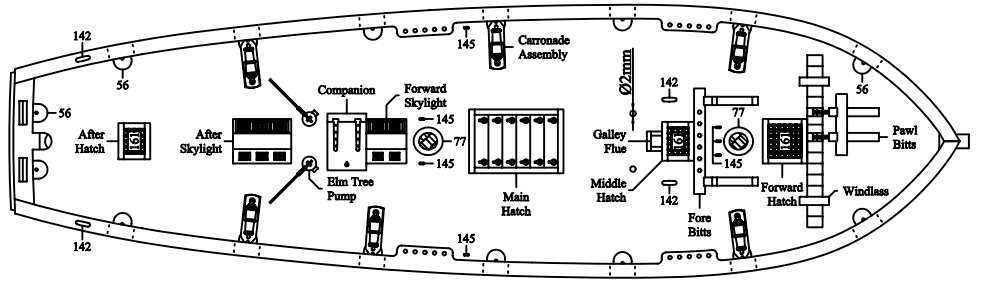
©2006 JoTiKa Ltd.

Deck Planking



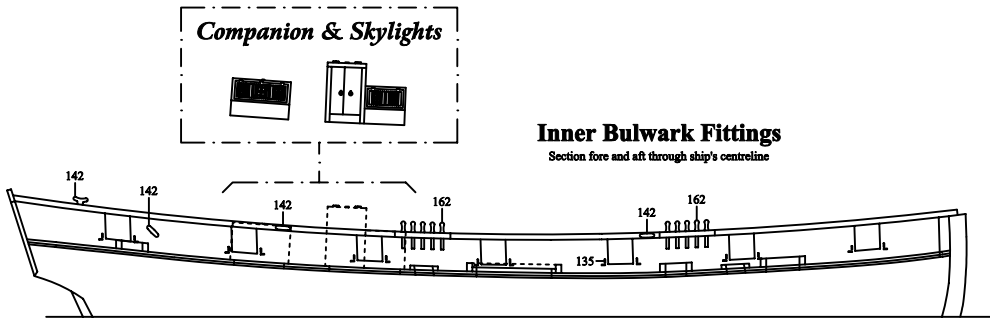
First planks to be laid for the deck planking.

Deck Fittings



Three Butt Shift System

In the three butt shift system, the end of each plank is offset from its neighbour by quarter of the plank length. In the case of Pickle, with 140mm (29") planks, each plank should be offset by 35mm so that every plank end is separated by three planks. Please refer to Manual 1, Page 13 for further details.



Gunport Eyelet Arrangement

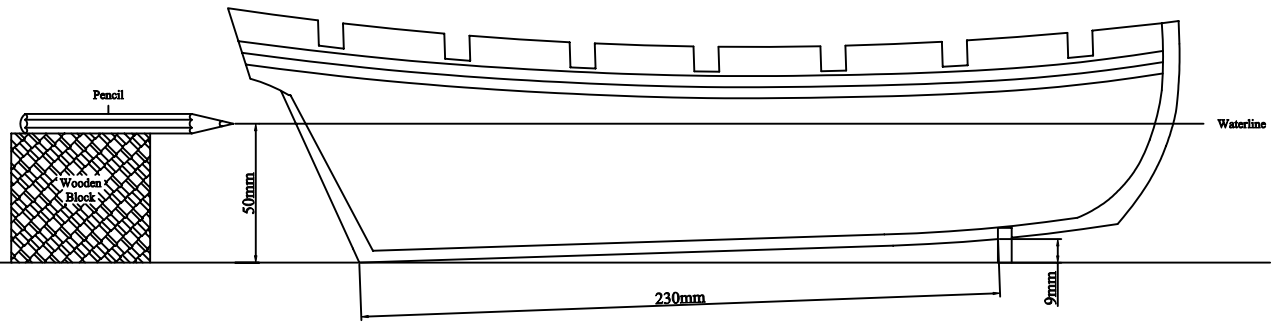
2 x 135 for gun tackles
 2 x 135 for breech ropes

Please refer to Manual 1, Page 15 for further details.

Marking the Waterline

The waterline jig (14) should be positioned 230mm from the after end of the false keel. With the jig in position, the model can be placed on a flat surface and the bows will be raised by the jig. Using a wooden block and pencil, or similar, the waterline can then be scribed around the hull. Refer to Manual 1, Page 10 for further details.
 Note: The rudder SHOULD NOT be fitted while setting up the waterline.

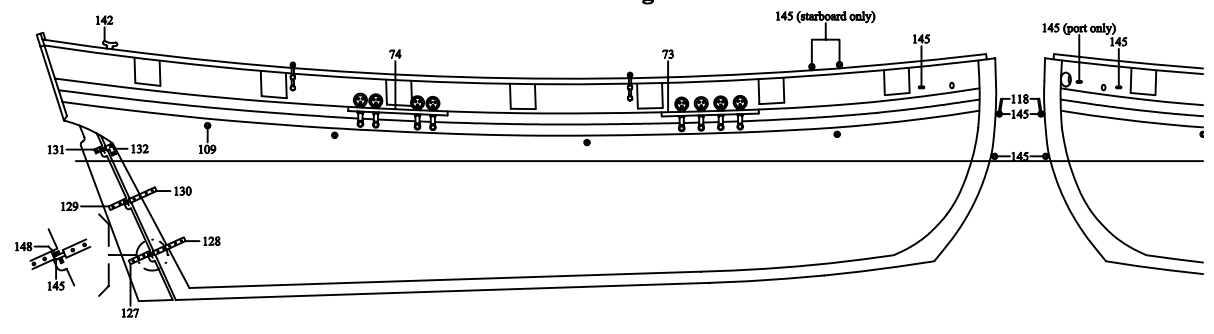
The waterline can easily be marked onto the hull using a wooden block and pencil. The tip of the pencil, when held on top of the block, should be 50mm from the work surface. In order to achieve this, the block should be slightly less than 50mm tall.



Transom Eyelets

Please refer to Manual 1, Page 29 for further details.

Outer Hull Fittings



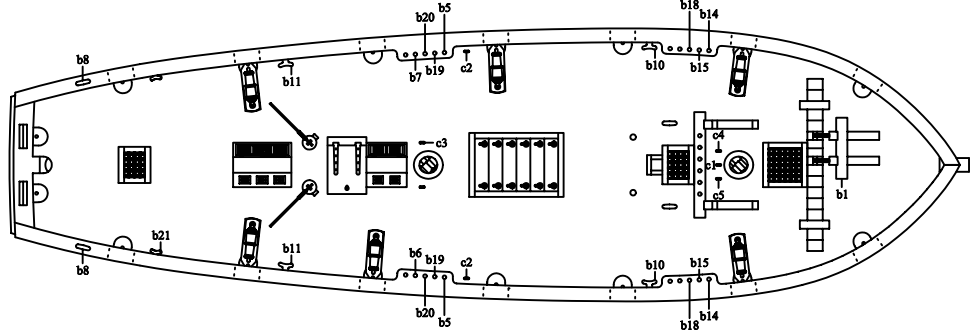
Channels and Deadeye Strops

- Gently bend the deadeye strop (106) open.
- Insert a deadeye and re-close the strop.
- Spring the 'mule' of the strop, with deadeye, into each locating slot along the outboard edge of the channels.

Note the deadeye strop / deadeye is angled inboard to follow the run of the shrouds.

Please refer to Manual 1, Pages 28 & 42 for further details.

Belaying Plan



Main Mast Belaying Points

Fore Bitts and Fore Mast Belaying Points

Belaying of the Main Toppallant Stay