



Visite la página TRAXXAS.com/manuals para descargar el instrucciones en su idioma.

Auf TRAXXAS.com/manuals können Sie anleitung in Ihrer Sprache downloaden.

Tandem-Axle Boat Trailer Instructions

Covers Part #10650

Kit contents:

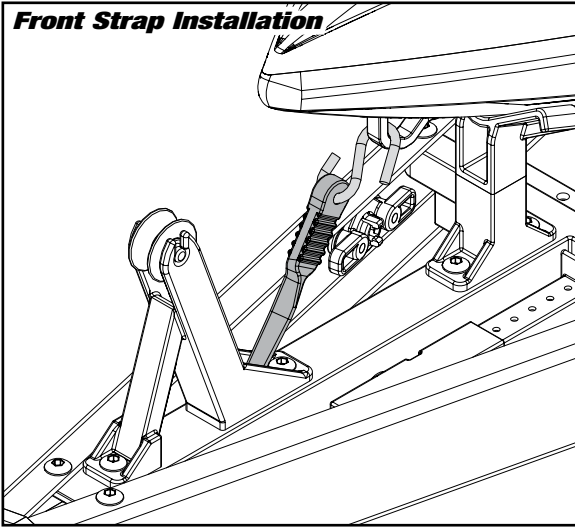
- Tandem-Axle Boat Trailer
- Hitch top and bottom
- Support posts, 17mm (8) (assembled to trailer)
- Support posts, 35mm (2) (assembled to trailer)
- Support posts, 38mm (2) (assembled to trailer)
- Support posts, 40mm (2) (assembled to trailer)
- Support posts, 43mm (2) (assembled to trailer)
- 3x10mm cap screw (CS) (black stainless) (1)
- 3x12mm button-head cap screws (BCS) (black stainless) (2)
- 3x15mm button-head cap screw (BCS) (black stainless) (1)
- 3x12mm button-head cap screws (BCS) (black stainless) (2)
- 3x15mm button-head cap screw (BCS) (black stainless) (1)

Tools required:

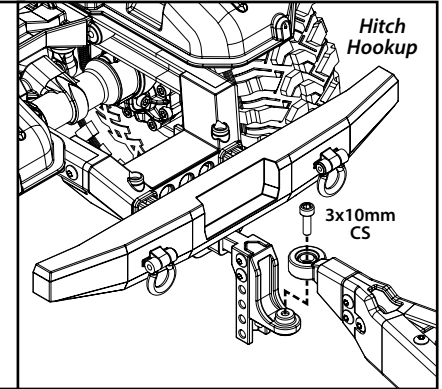
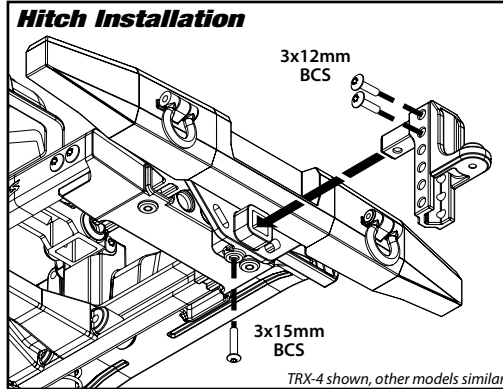
- 2.5mm hex wrench
- 2.0mm hex wrench

Pro Tip: Remove the rudder before trailering your boat. This can prevent rudder damage on uneven or rough terrain.

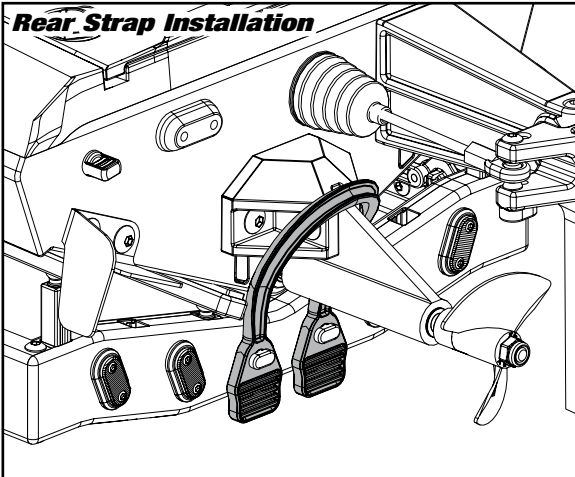
Front Strap Installation



Hitch Installation

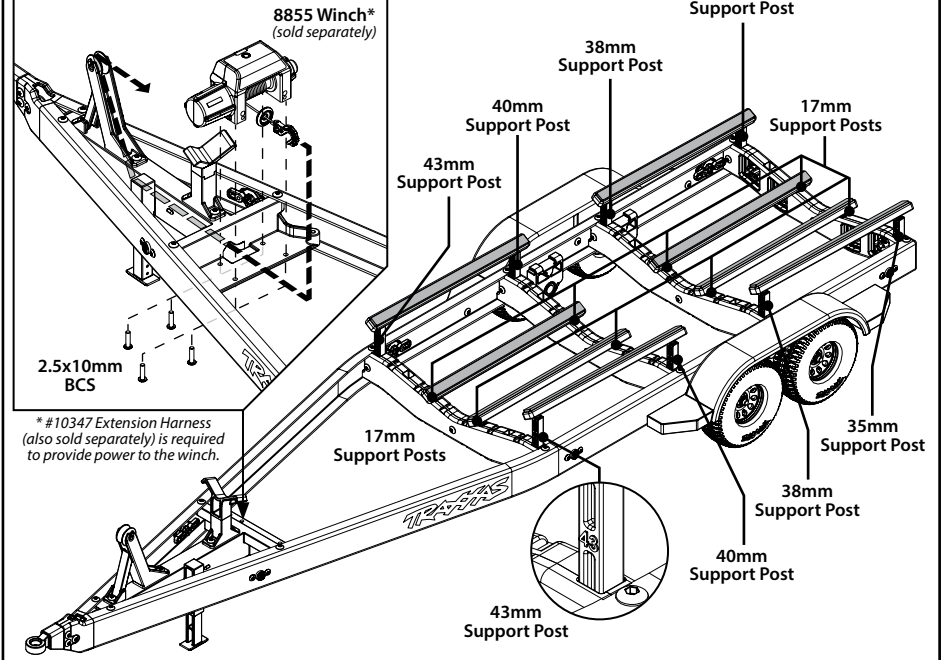


Rear Strap Installation



Part #8855 Winch Installation

(sold separately)



* #10347 Extension Harness (also sold separately) is required to provide power to the winch.

If you have questions or need technical assistance, call Traxxas at

1-888-TRAXXAS

(1-888-872-9927) (U.S. residents only)

TRAXXAS.COM

Traxxas, 6250 Traxxas Way, McKinney, TX 75070, Phone: 972-549-3000, Fax: 972-549-3011, e-mail: support@Traxxas.com

HKC24001-R00 240611