

TRX4[®]

MODEL 82216-4



TRAXXAS

ASSEMBLY MANUAL

Thank you for purchasing the all-new Traxxas TRX-4 unassembled kit. The design of the TRX-4 instantly obsoletes the status quo with greatly expanded features and versatility. The TRX-4 features the powerful Titan® 21T 550 motor, waterproof electronics, and a smooth XL-5 HV 3s LiPo-capable electronic speed control. The game-changing portal axles provide greater ground clearance while the rigid steel frame eliminates chassis flex and allows you to navigate tough terrain. The new Canyon Trail 1.9 tires feature tuned foam inserts to deliver superior bite on rocky surfaces with convincing scale realism. In other words, we built it the Traxxas way -- rugged, powerful, and ready to handle the rigors of remote locations and all-day driving fun!

This manual details the assembly of the TRX-4. This manual will also acquaint you with the model's many different components and its mechanical operation. Read through the manual and examine the model carefully before opening any of the parts bags included in the kit. If for some reason you think the model is not what you wanted, then do not continue any further. Your hobby dealer absolutely cannot accept a model for return or exchange which has been run or contains open bags. Please read the separate Owner's Manual before attempting to drive your new model. You can download the Owner's Manual for the TRX-4, as well as the manuals for all Traxxas vehicles, at Traxxas.com.

If you have any questions about your TRX-4, call Traxxas' technical support department at 1-888-TRAXXAS (1-888-872-9927) (U.S. residents only). Outside the U.S., call +1-972-549-3000. Technical support is available Monday through Friday, from 8:30am to 9:00pm central time. Technical assistance is also available at Traxxas.com/support or via e-mail at support@Traxxas.com.

Join thousands of registered members in our online community at Traxxas.com. Traxxas offers a full-service, on-site repair facility to handle any of your Traxxas service needs. Maintenance and replacement parts may be purchased directly from Traxxas by phone or online at Traxxas.com. You can save time, along with shipping and handling costs, by purchasing replacement parts from your local dealer. Do not hesitate to contact us with any of your product support needs. We want you to be thoroughly satisfied with your new model!

ASSEMBLY HINTS

To assemble this kit, you'll need a large flat working area where you will have plenty of room to build. Be sure it's a place where you can leave your work spread out and not in the way when you want to take a break from the assembly. Allow yourself plenty of time to build this kit; assembly time is going to vary with each individual. Experienced

builders may only need 4-5 hours to assemble this kit, while others may spend an entire weekend on it. You should feel comfortable with taking as much time as needed to properly build and set up your model.

If you've been exploring the contents of your kit box, you've noticed many bags of small parts. Open only one bag at a time. To keep the parts organized, use small paper plates or several large plastic plates with partitions to contain the parts. Label the paper plates, and then pour the contents of the bags onto them. This puts the parts out in the open where you can find them easily. The plates also prevent small parts from rolling off the table.

Please read the text next to each diagram. The text contains important information, such as assembly steps, screw sizes, and part numbers. Also, pay attention to any notes that may follow some steps. Before you attempt to run your newly-built model, please read all of the instructions and precautions included in the Owner's Manual. You can download the Owner's Manual for the TRX-4, as well as the manuals for all Traxxas vehicles, at Traxxas.com.

Remember, as you assemble your Traxxas model, you are not alone. If you have any questions or run into difficulties, call Traxxas' technical support department at 1-888-TRAXXAS (1-888-872-9927) (U.S. residents only). Outside the U.S., call +1-972-549-3000. Technical support is available Monday through Friday, from 8:30am to 9:00pm central time.

ITEMS YOU WILL NEED

Some of the tools that you may need in the maintenance and repair of your model have been provided. These include:

- 2.0mm "T" wrench
- 2.5mm "L" wrench
- 4-way wrench
- High Performance Grease
- Silicone Shock Oil

Required but not included:

- Traxxas Ultra Premium Tire Glue, Part #6468 (CA glue)
- 4 AA alkaline batteries
- 6 or 7-cell NiMH battery pack, 2s or 3s LiPo battery pack, with Traxxas High-Current connector
- Battery charger
- Safety glasses
- Needle nose pliers

The following items are not required for the operation of your model, but are a good idea to include in any RC toolbox:

- Metric hex driver set (*Highly recommended for kit assembly*)
- Hobby knife
- Side cutters

These items can be purchased from your hobby dealer.

RADIO SYSTEM INSTRUCTIONS

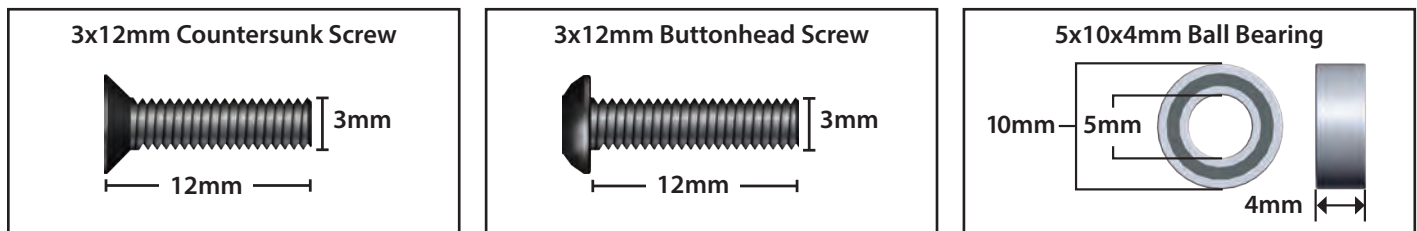
The Traxxas TQi 2.4GHz radio system is provided with your unassembled kit. Complete instructions for operating the radio system are included in the TRX-4 Owner's Manual. You can download the Owner's Manual for the TRX-4, as well as the manuals for all Traxxas vehicles, at Traxxas.com.











WARRANTY STATEMENT

Every effort has been made in component design and material selection to make your model as durable as possible and still maintain a weight consistent with good handling. Because this model is intended for operation under severe conditions, no warranties are expressed nor implied relating to the longevity of the parts. If you find that a part has a defect in materials or workmanship, please return it to us BEFORE IT IS USED, and we will gladly replace it. Damage caused by excessive force, abuse, neglect or failure to adhere to the precautions outlined in the literature contained with your model will void the warranty.

HARDWARE DESCRIPTIONS








The following chart is provided to help you identify the many different sizes and types of hardware that are used in the assembly of this model. Note the difference between the length measurements of the roundhead and countersunk screws. A ruler is provided at the bottom of each page to measure the length of the screws in millimeters.



 CCS Countersunk Cap Screw	 GS Set (Grub) Screw
 CS Cap Screw	 PTW PTFE Washer
 FCS Flathead Cap Screw	 MW Metal Washer
 BCS Buttonhead Cap Screw	 E E-Clip
 NL Nylon Locknut	 BB Ball Bearing

ICON DESCRIPTIONS

There are icons in this assembly instruction which indicate certain actions needed during assembly.

 <p>Grease Tube Apply included grease to part indicated. <i>White: Silicone</i> <i>Dark: High Performance</i></p>	 <p>Turn Icon Indicates assembly needs to be flipped or turned around.</p>	 <p>Oil Bottle Use included silicone shock oil.</p>
 <p>Repeat Icon Repeat step the number of times indicated.</p> 	 <p>Optional Part Icon Optional part available. Refer to included parts list.</p>	 <p>Aluminum Part Icon Aluminum accessory part available. Refer to included parts list.</p>

A. TRANSMISSION ASSEMBLY

TRANSMISSION BAG

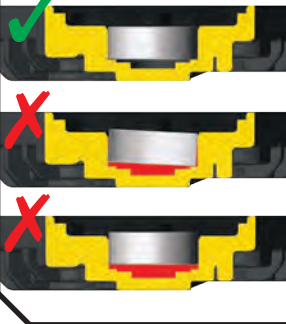
Transmission Case Halves (2)

HARDWARE BAG

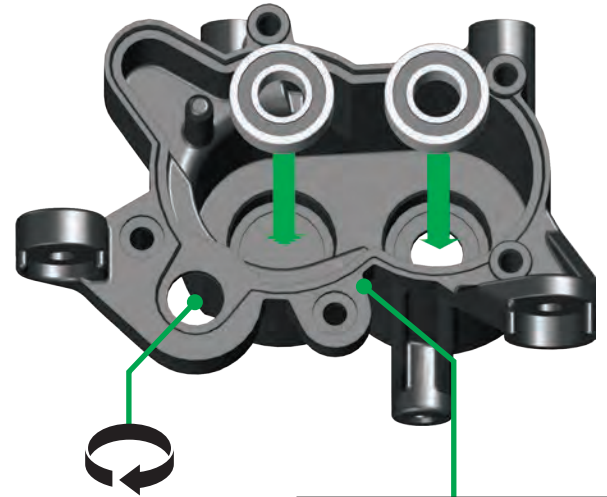
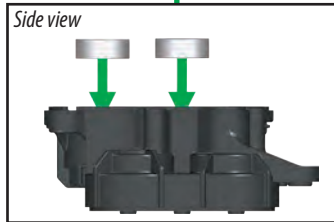
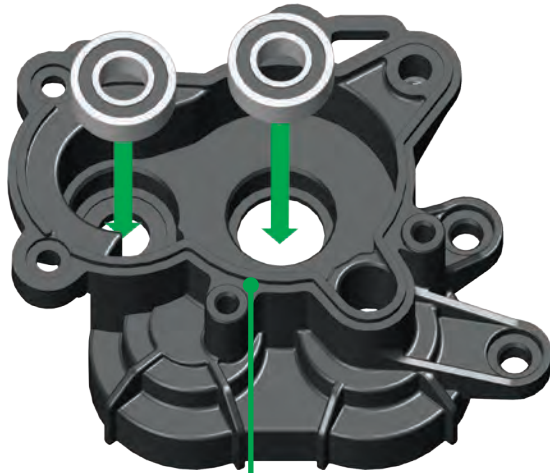
5x11x4mm BB (5)



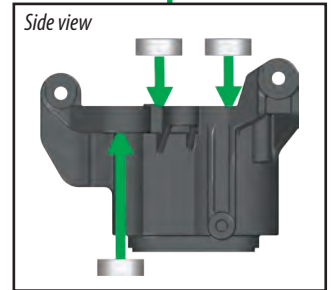
Note: Bearing Seating
Press down hard to ensure bearings are fully seated.



A1. Insert 5x11x4mm bearings into transmission case halves



Bearing installs on the outside of case half



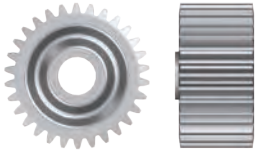
TRANSMISSION BAG

Input Shaft

18T Input Gear



30T Input Gear



HARDWARE BAG

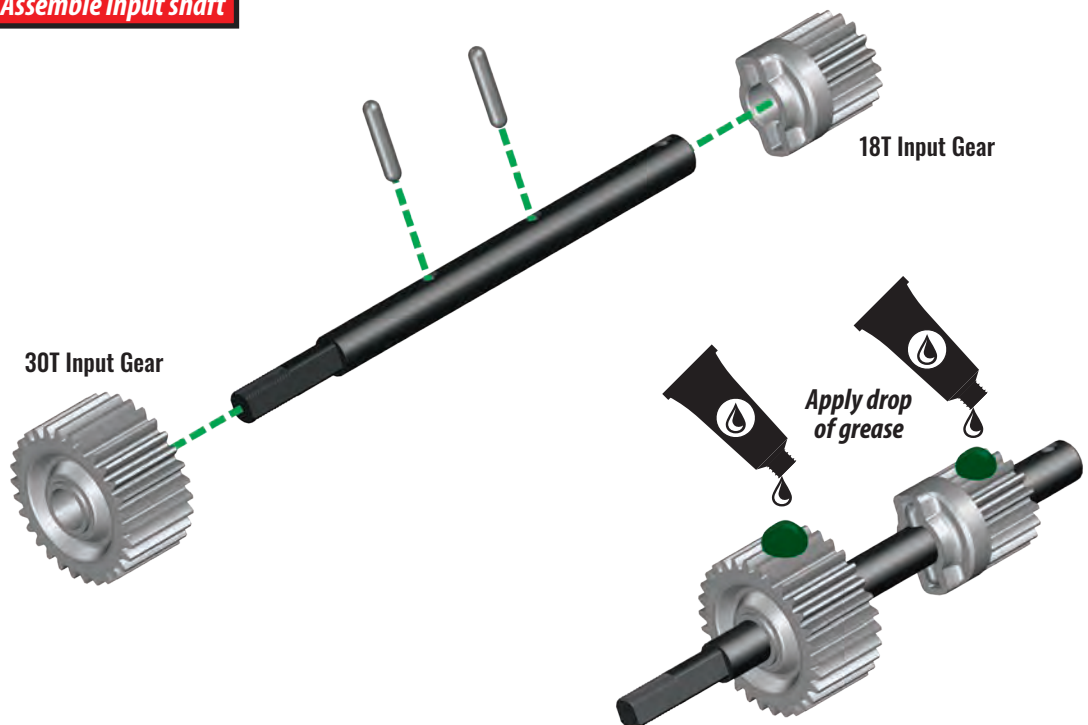
2x9.8 Pin (2)



TOOLS BAG

High Performance Grease

A2. Assemble input shaft

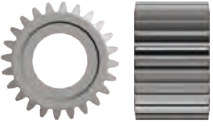


A. TRANSMISSION ASSEMBLY

TRANSMISSION BAG

Output Shaft

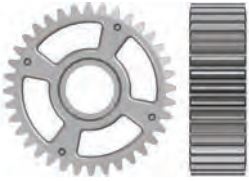
24T Output Gear



Drive Hub



36T Output Gear



Shift Dog



HARDWARE BAG

5x8x2.5mm BB (3)



5x10x4mm BB



TOOLS BAG

High Performance Grease

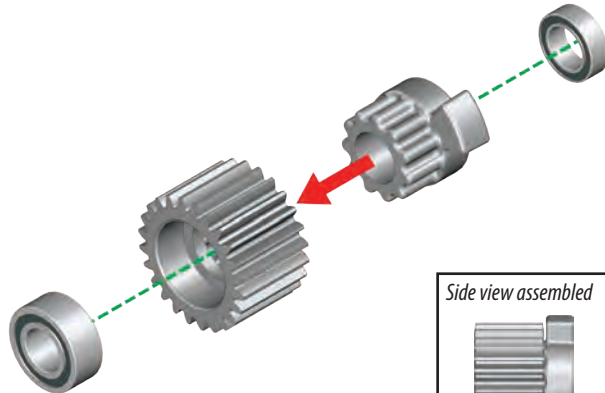
ACCESSORY

 Option Part
8296 Single Speed
Conversion

A3. Assemble output shaft

24T output gear and drive hub assembly

5x8x2.5mm BB



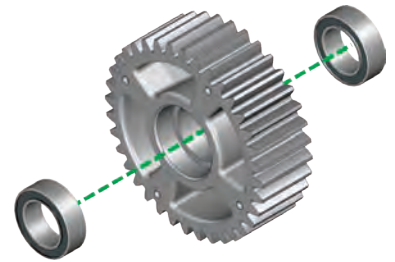
5x10x4mm BB

Side view assembled



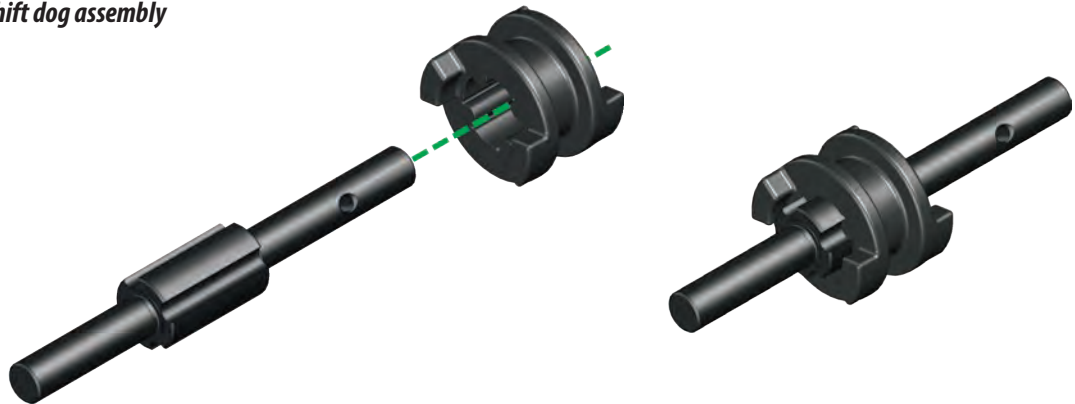
36T output gear assembly

5x8x2.5mm BB

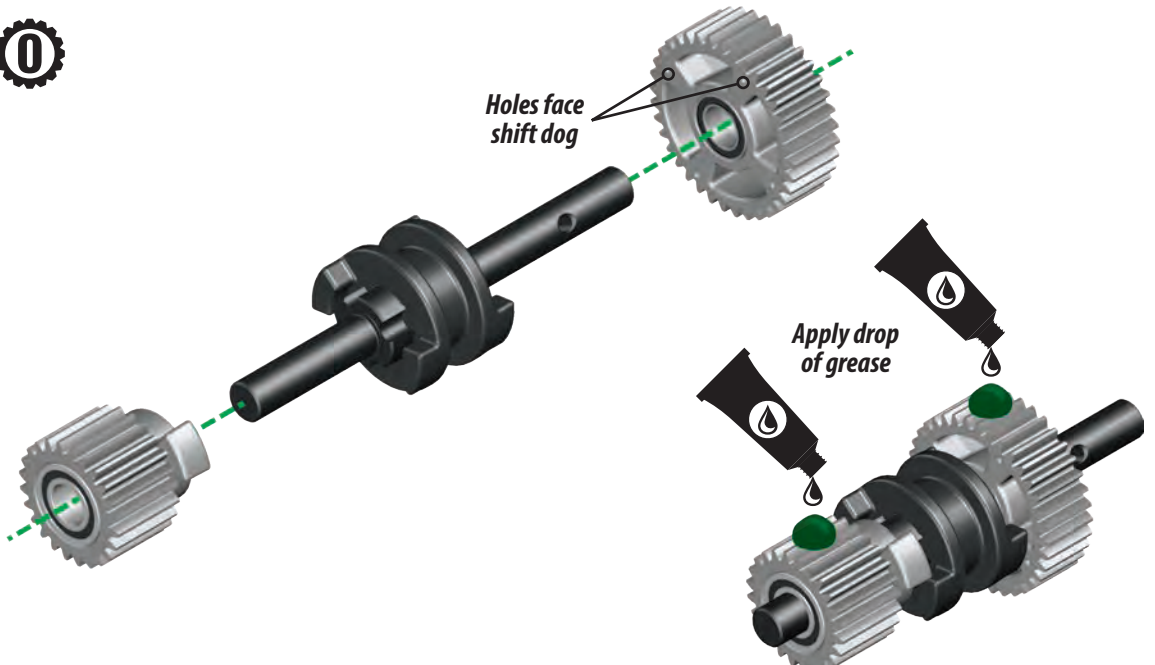


5x8x2.5mm BB

Shift dog assembly



Holes face
shift dog



A. TRANSMISSION ASSEMBLY

TRANSMISSION BAG

Shift Fork

HARDWARE BAG

5x8x0.5mm PTFE Washer (2)

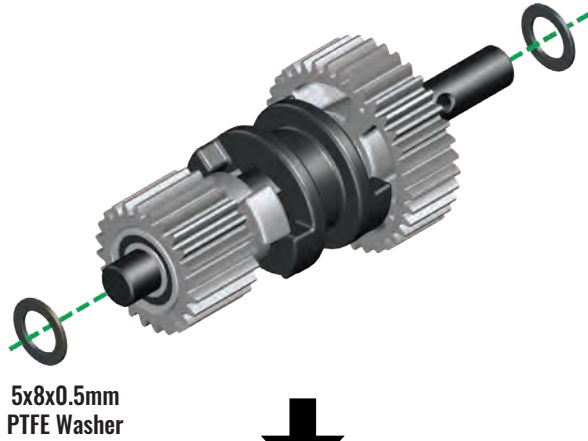


2.5x8mm CS (5)



A4. Install input and output assemblies into main transmission housing

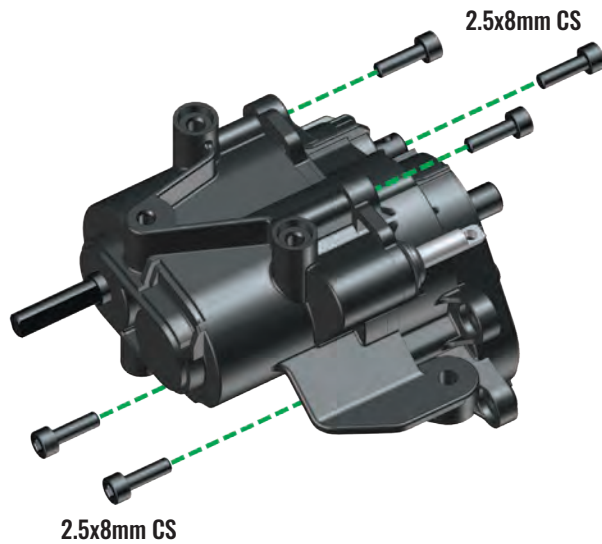
1 Place washers on output assembly



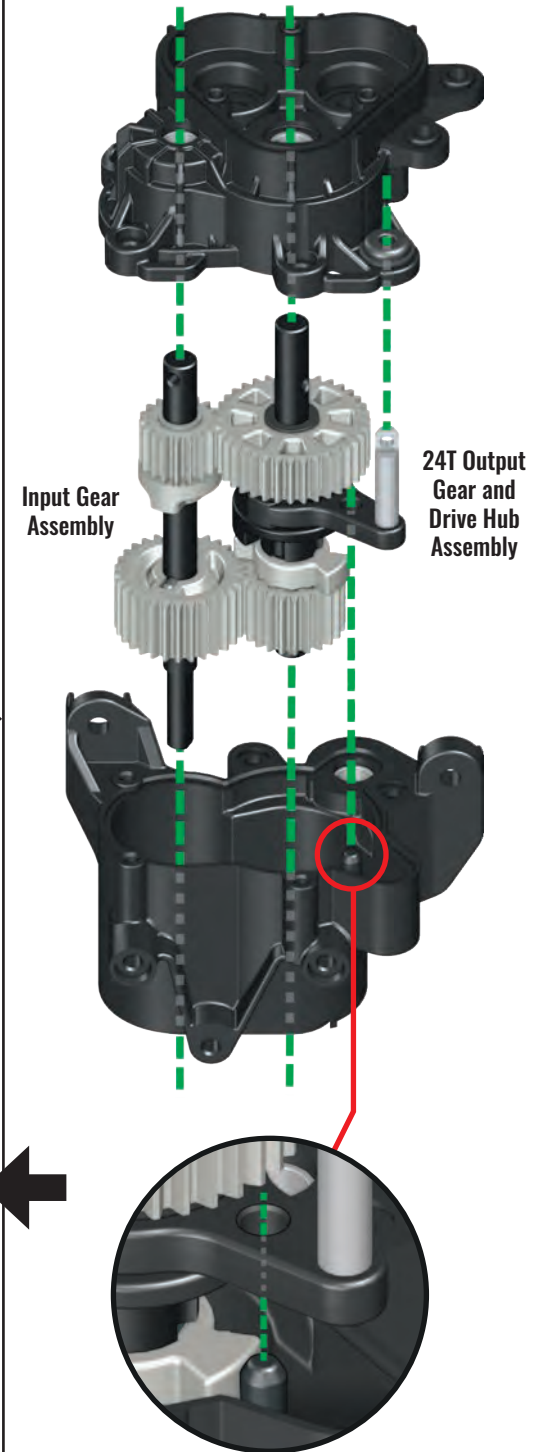
2 Place shift fork into shift dog recess



4 Secure transmission case halves together



3 Place assemblies into transmission case halves



Align the shift fork with the pin molded in the transmission case half.

A. TRANSMISSION ASSEMBLY

TRANSMISSION BAG

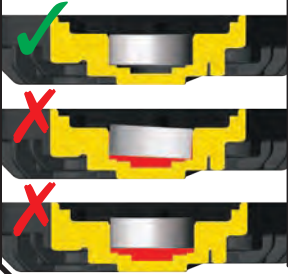
Transfer Case Cover

HARDWARE BAG

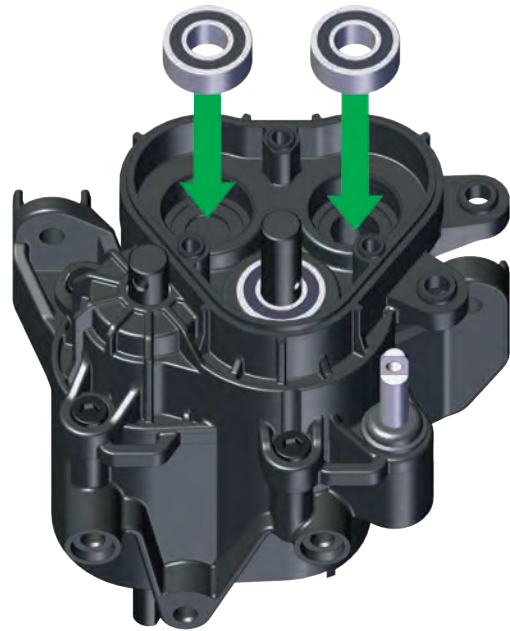
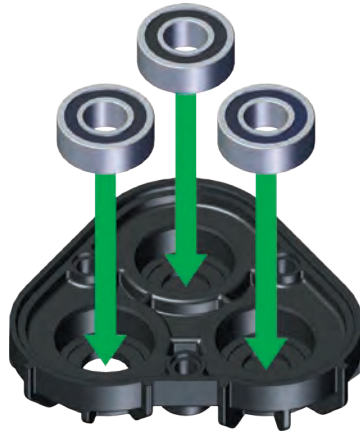
5x11x4mm BB (5)



Note: Bearing Seating
Press down hard to ensure bearings are fully seated.



A5. Install bearings into the transfer case

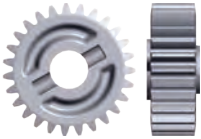


TRANSMISSION BAG

Long Transfer Case Output Shaft

Short Transfer Case Output Shaft

27T Transfer Case Gear (3)



HARDWARE BAG

2x9.8 Pin (3)

5x8x0.5mm PTFE Washer (2)

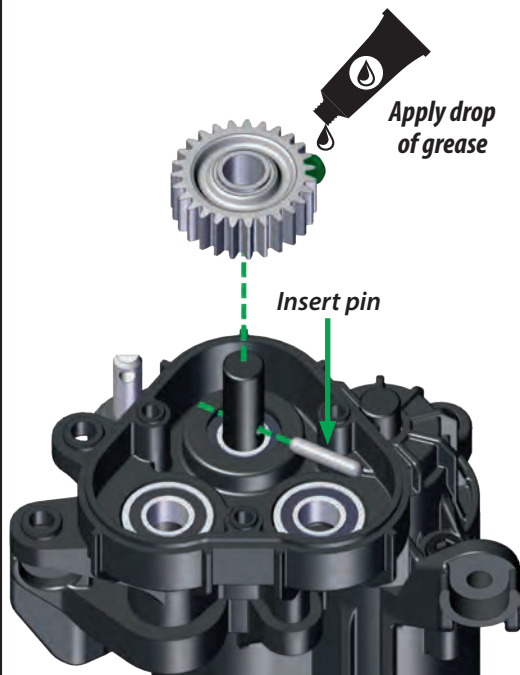


TOOLS BAG

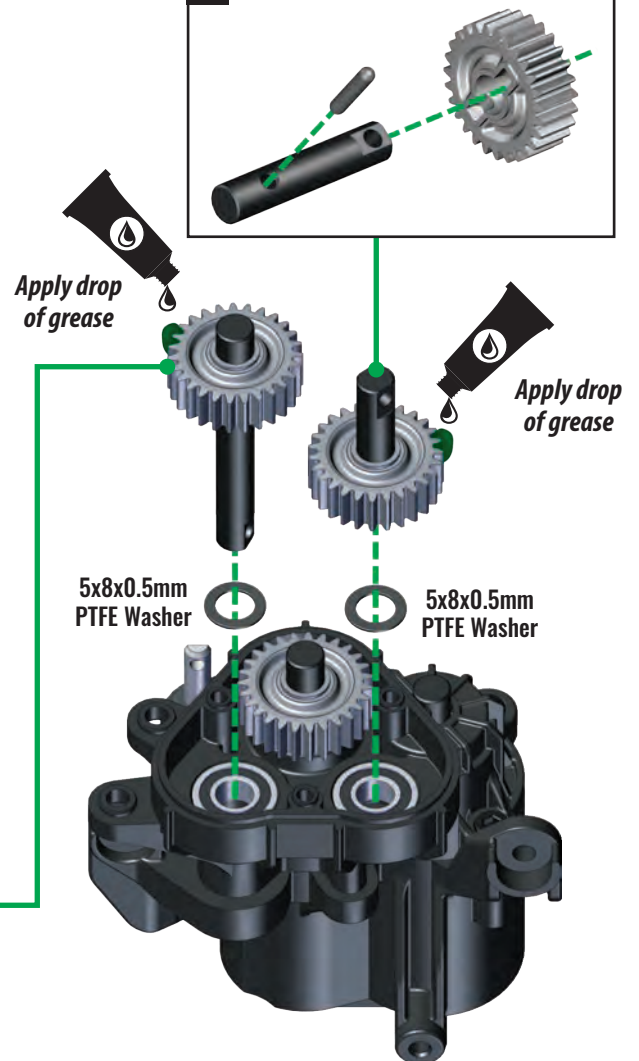
High Performance Grease

A6. Assemble and install transfer case gears

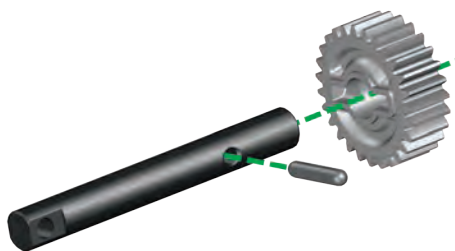
1 27T transfer case gear assembly



2 Short output shaft assembly



3 Long output shaft assembly



A. TRANSMISSION ASSEMBLY

TRANSMISSION BAG

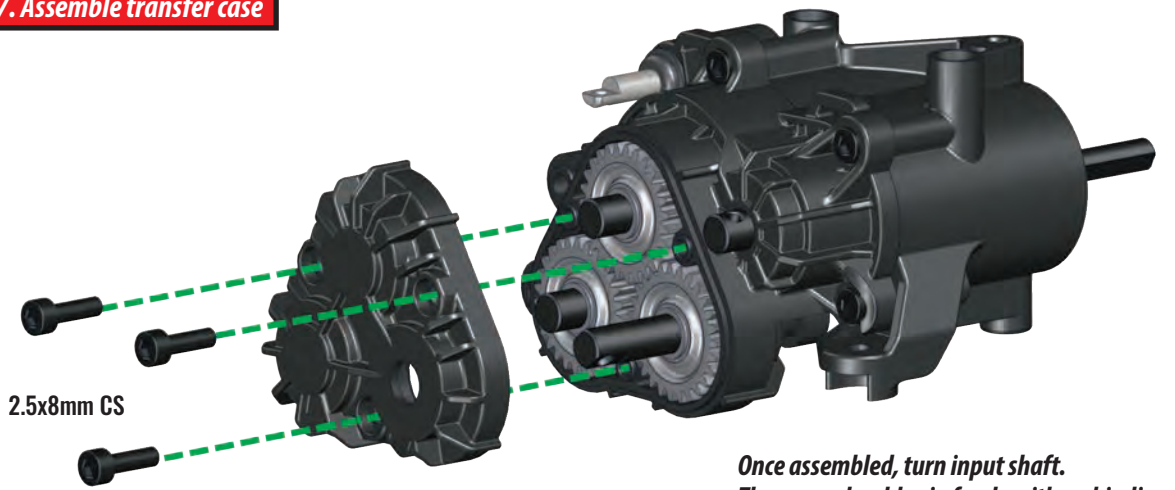
Transfer Case Cover

HARDWARE BAG

2.5x8mm CS (3)



A7. Assemble transfer case



Once assembled, turn input shaft.
The gears should spin freely with no binding.

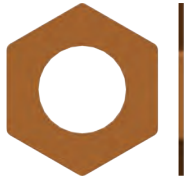
TRANSMISSION BAG

45T Spur Gear

Slipper Plate



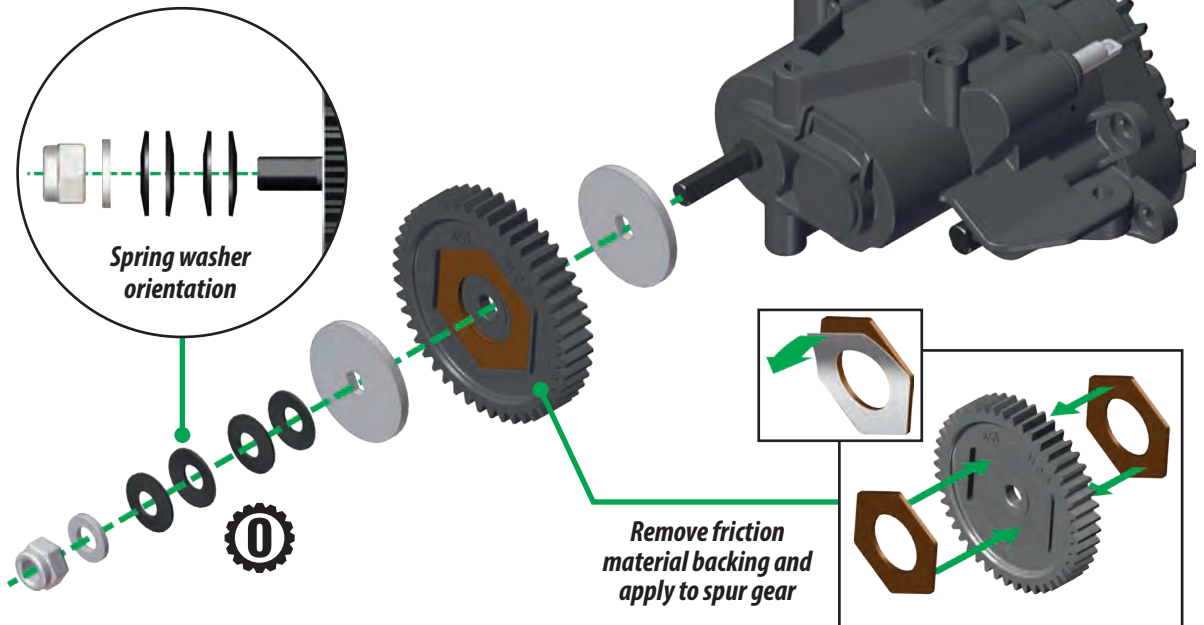
Slipper Friction Material



Spring Washer



A8. Install slipper clutch and spur gear



Remove friction material backing and apply to spur gear

HARDWARE BAG

Locknut

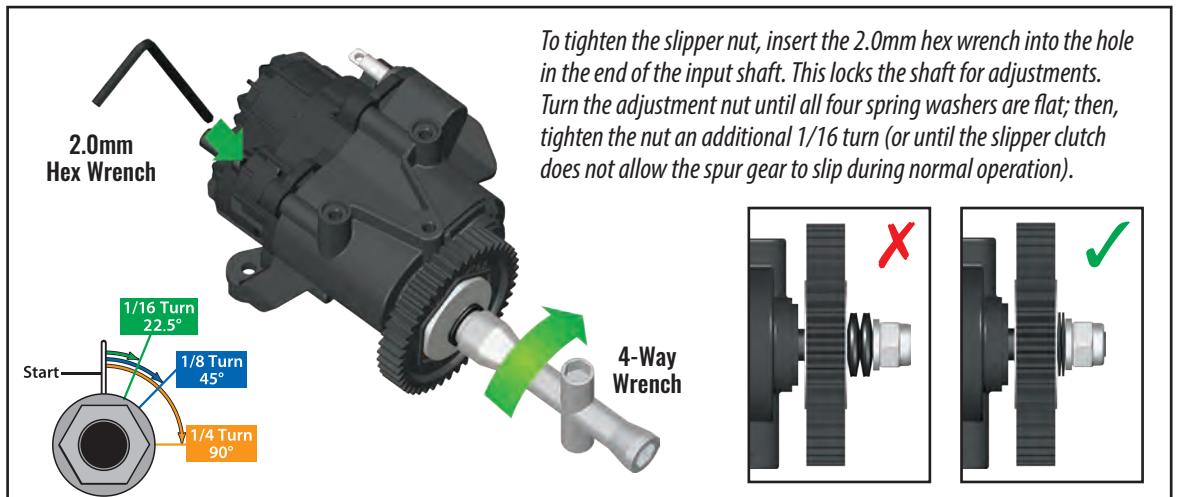


4x8 Metal Washer



ACCESSORY

Option Part
8249 Slipper Eliminator



To tighten the slipper nut, insert the 2.0mm hex wrench into the hole in the end of the input shaft. This locks the shaft for adjustments. Turn the adjustment nut until all four spring washers are flat; then, tighten the nut an additional 1/16 turn (or until the slipper clutch does not allow the spur gear to slip during normal operation).

A. TRANSMISSION ASSEMBLY

TRANSMISSION BAG

Transmission Servo Mount

Shift Linkage



HARDWARE BAG

3x8mm BCS (4)

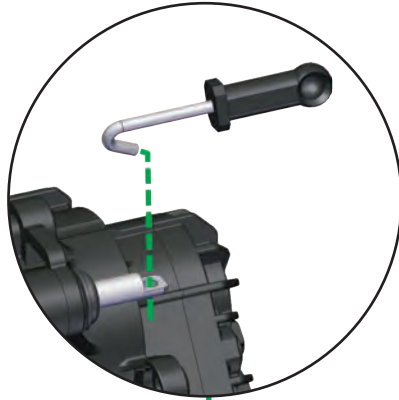


ELECTRONICS BAG

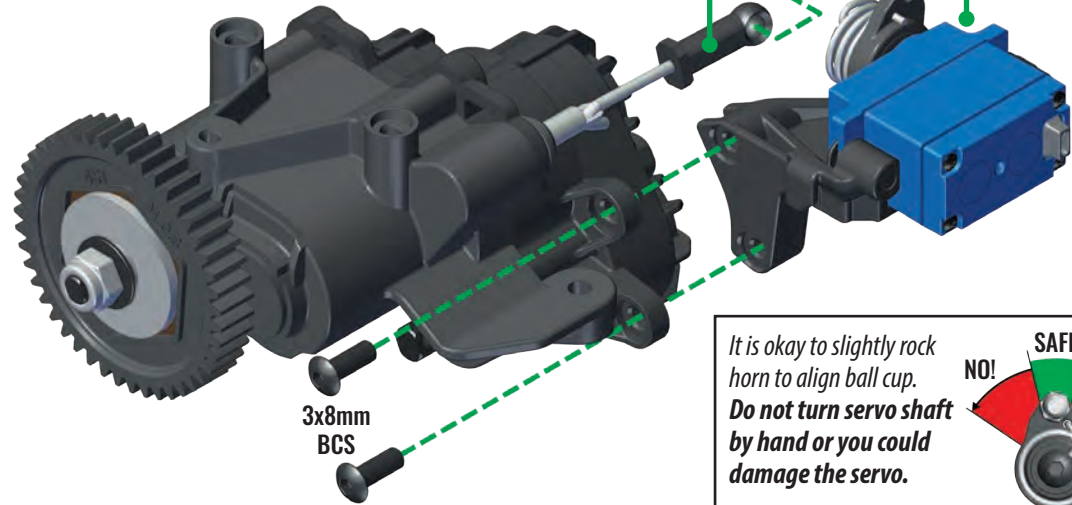
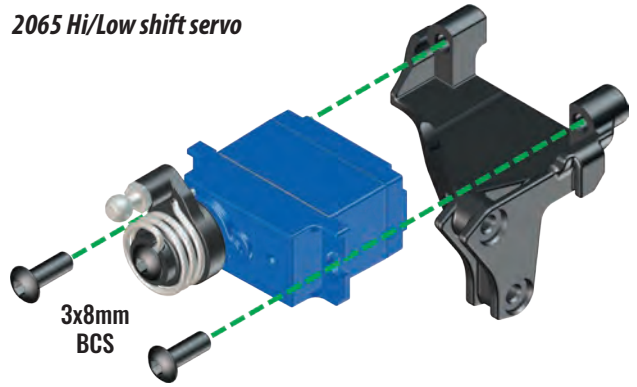
2065 Servo Assembly

! *Note: Servo horn is pre-installed and factory-centered. Do not turn servo shaft by hand or you could damage the servo.*

A9. Install shift linkage and high/low shift servo



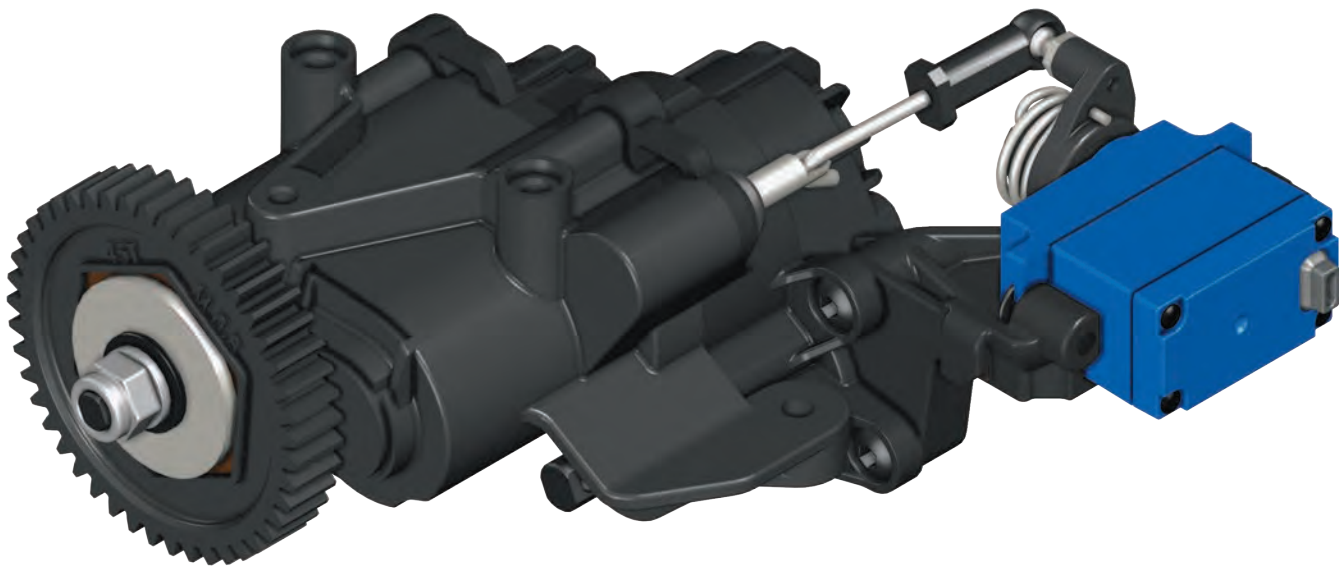
2065 Hi/Low shift servo



It is okay to slightly rock horn to align ball cup. Do not turn servo shaft by hand or you could damage the servo.



Completed transmission assembly



B. DIFFERENTIAL ASSEMBLY

DIFFERENTIAL BAG

- Differential Carrier
- Spider Gear (4)
- Crosspin (2)
- Diff. Output Gear (Long)

B1. Install long output and spider gears into differential carrier

Diff. Output Gear (Long)

Differential Carrier

Spider gear assembly

Crosspin

x2

DIFFERENTIAL BAG

- Ring Gear
- Diff. Output Gear (Short)

HARDWARE BAG

- 2.5X8mm BCS (4)

TOOLS BAG

- High Performance Grease

ACCESSORY

- Option Part 8279R Machined Spiral Cut Ring Gear Set
- Option Part 8287 Overdrive Ring Gear Set
- Option Part 8288 Underdrive Ring Gear Set

B2. Install ring gear assembly onto differential carrier

1 Apply a LARGE drop of grease between spider gears.

2 Diff. Output Gear (Short) Apply light coating

3

4

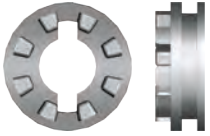
2.5x8mm BCS

x2

B. DIFFERENTIAL ASSEMBLY

DIFFERENTIAL BAG

Locking Slider



HARDWARE BAG

2.5x12mm Pin



15x21x4mm BB



10x15x4mm BB



7x14x5mm BB

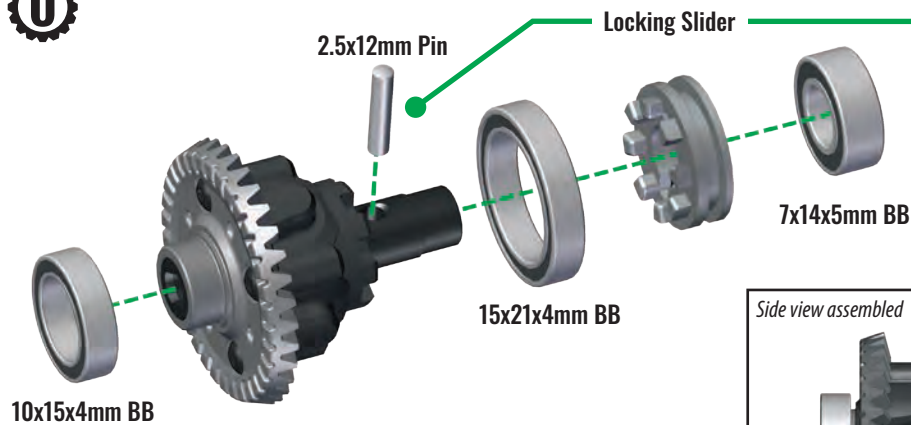


ACCESSORY

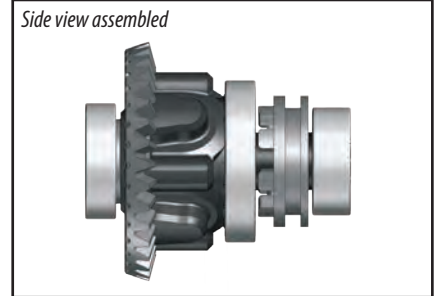


Option Part
8297 Differential Spool

B3. Install locking slider and bearings onto differential carrier assembly



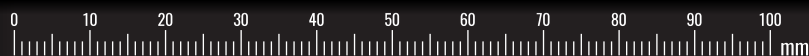
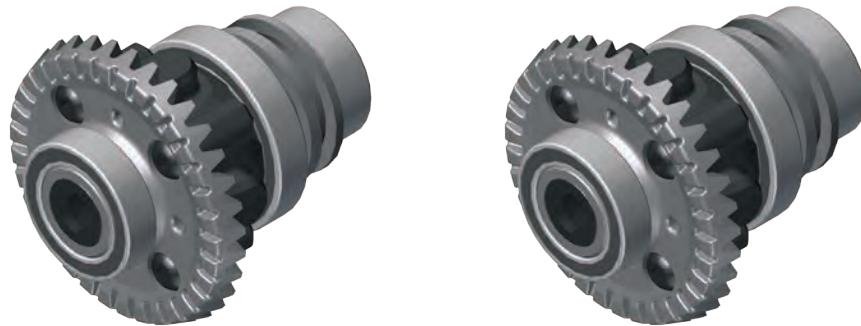
Pin will fit in slot of locking slider.



Side view assembled

x2

Completed differential assemblies



C. REAR AXLE ASSEMBLY

REAR AXLE BAG

Rear Axle Housing
Differential Assembly
11T Pinion Gear



HARDWARE BAG

5x11x4mm BB



6x13x5mm BB



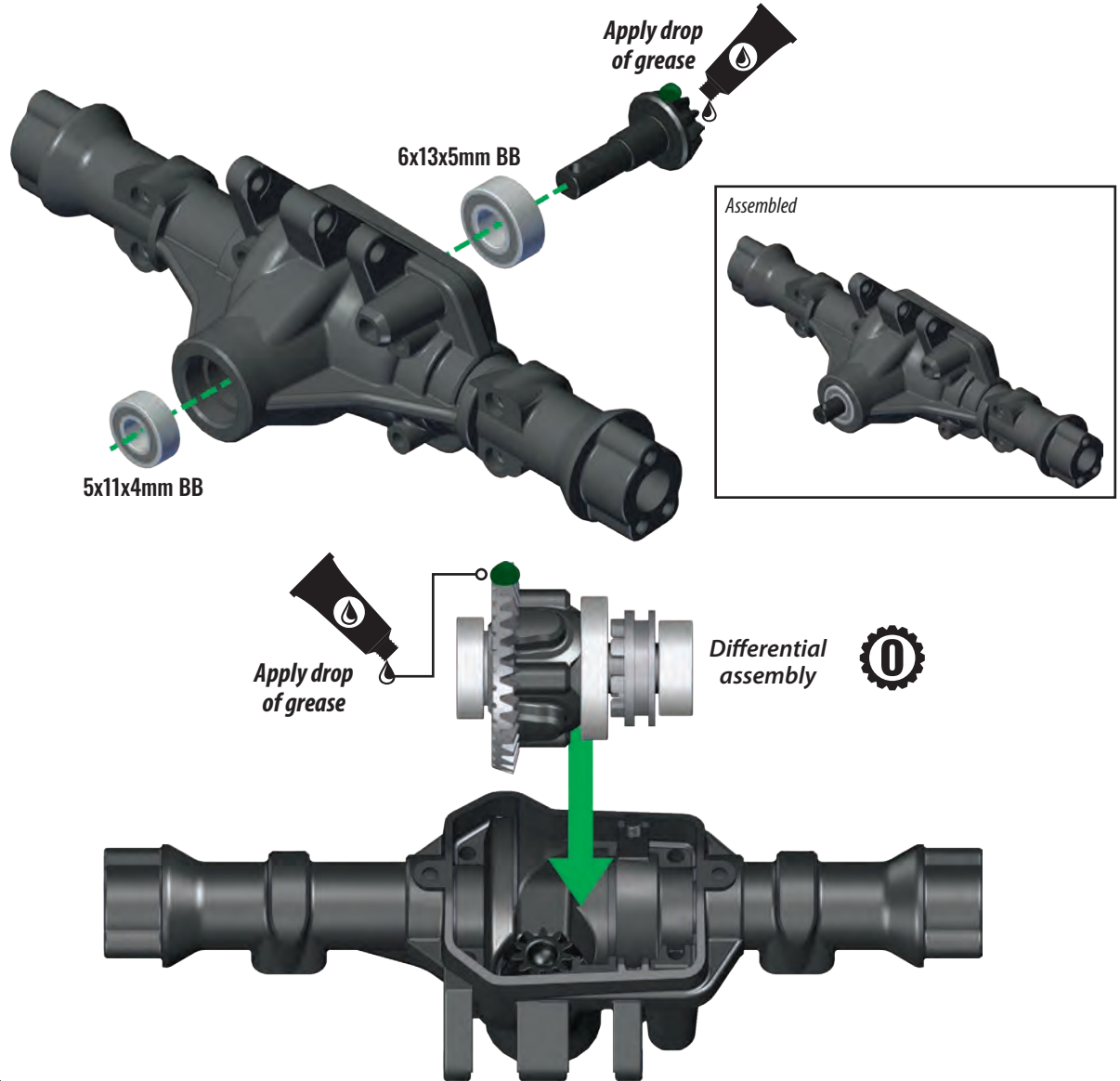
TOOLS BAG

High Performance Grease

ACCESSORY

 Option Part
8297 Differential Spool

C1. Insert bearings, pinion gear and differential assembly into axle housing



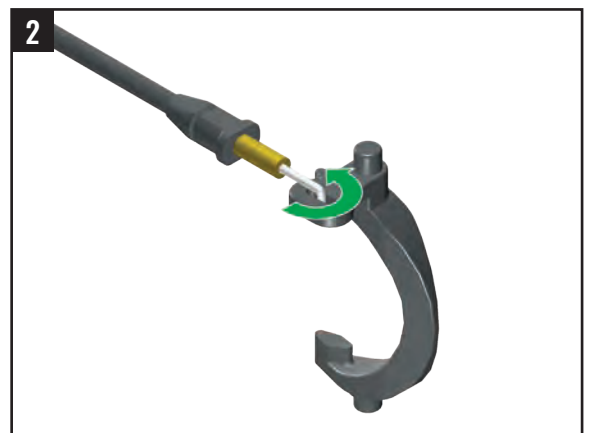
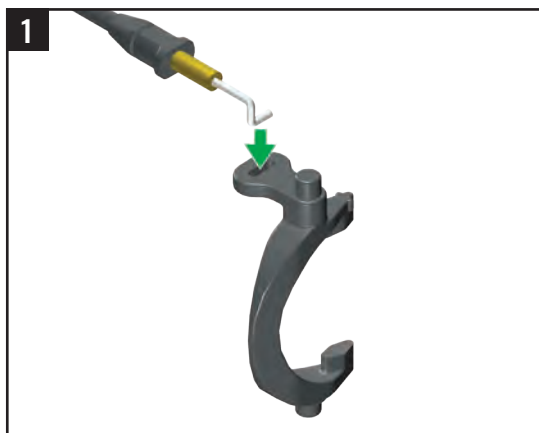
REAR AXLE BAG

Locking Cable

Locking Fork



C2. Assemble locking fork and locking cable

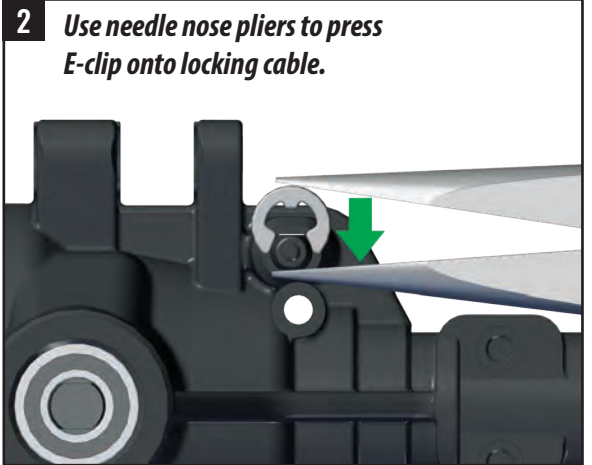
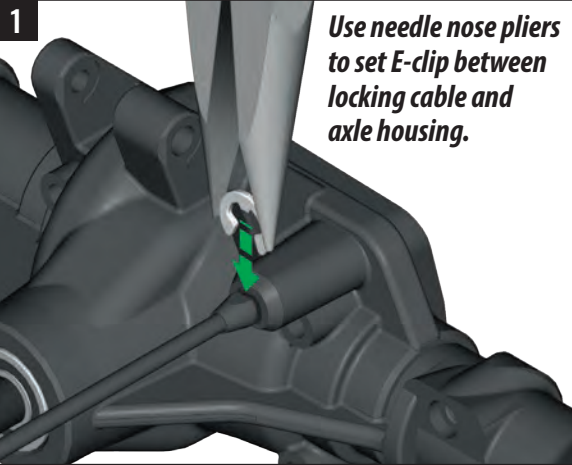
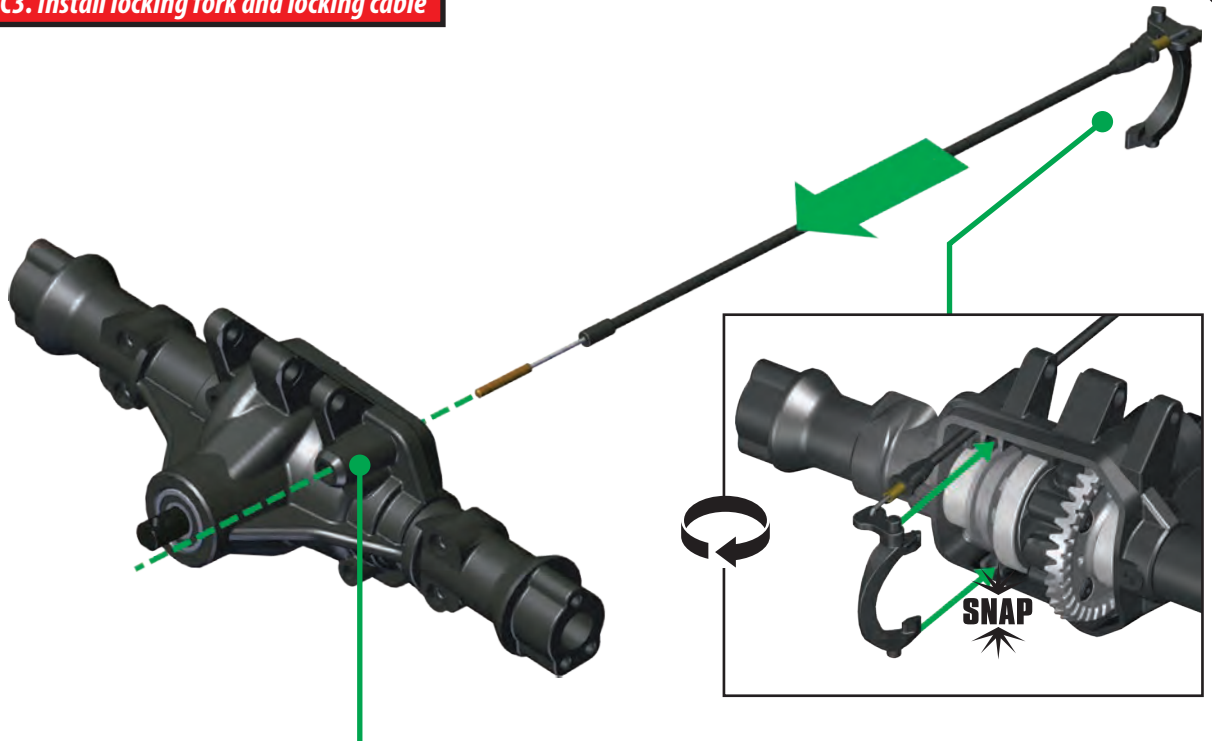


HARDWARE BAG

3mm E-Clip



C3. Install locking fork and locking cable



C4. Verify locking fork installation

Move the end of the locking cable in and out to verify the locking fork moves back and forth on its pivot.



C. REAR AXLE ASSEMBLY

REAR AXLE BAG

Differential Housing Cover

HARDWARE BAG

2.5x16mm CS (4)



ACCESSORY

O Option Part
8280R Red
Differential Cover

O Option Part
8280X Chrome
Differential Cover

C5. Install differential housing cover



REAR AXLE BAG

Axle Portal Mounts (2)

HARDWARE BAG

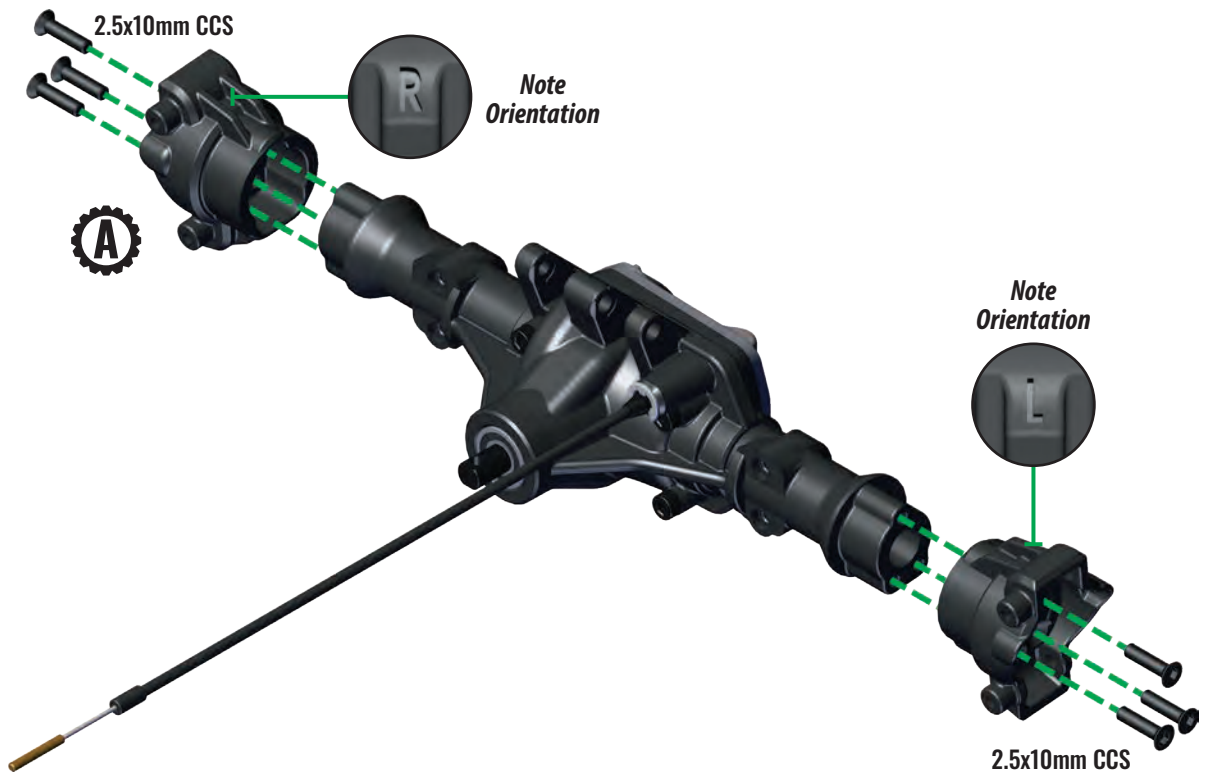
2.5x10mm CCS (6)



ACCESSORY

A Aluminum Accessory
Portal Axle Adapter

C6. Install axle portal mounts to axle housing



C. REAR AXLE ASSEMBLY

REAR AXLE BAG

Inner Rear Portal Housing
Outer Rear Portal Housing

HARDWARE BAG

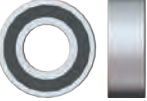
4x10x4mm BB



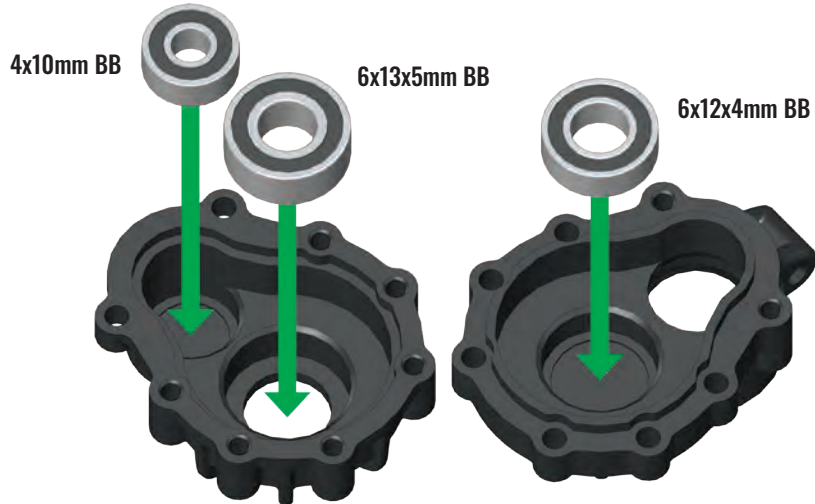
6x12x4mm BB



6x13x5mm BB



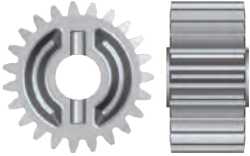
C7. Insert bearings into portal housings



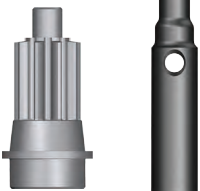
x2

REAR AXLE BAG

Portal Output Gear



Portal Stub Axle

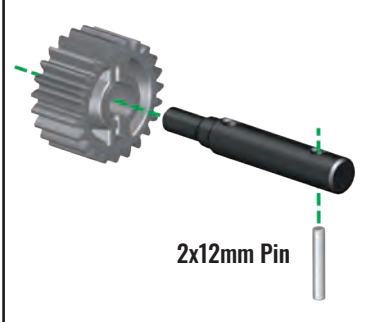


Portal Input Gear (Rear)

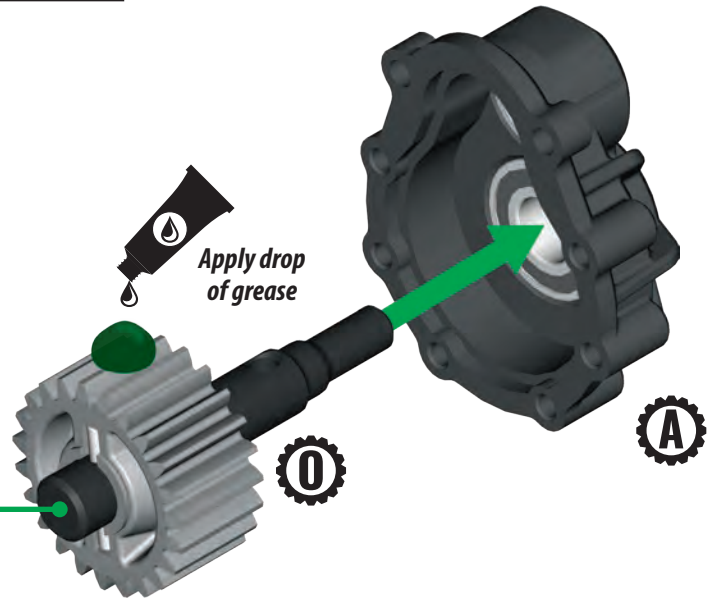


C8. Assemble and install portal input and output gears

Portal output gear assembly



2x12mm Pin



HARDWARE BAG

2x12mm Pin



10x15x4mm BB



TOOLS BAG

High Performance Grease

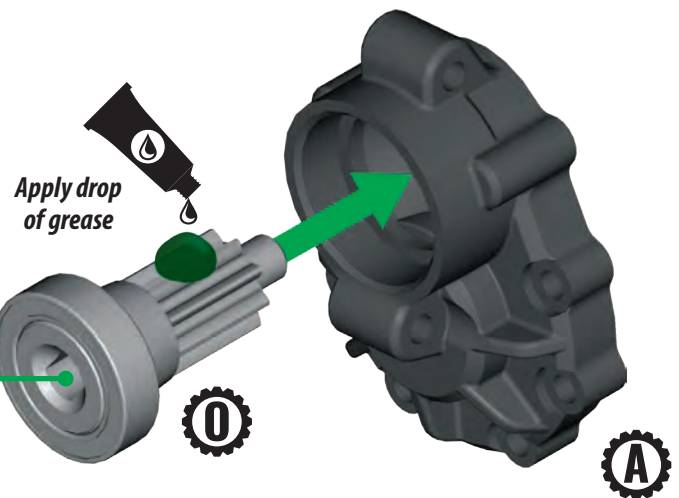
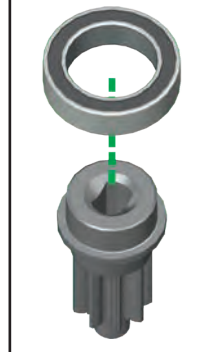
ACCESSORY

- Option Part 8065 Machined Input Gear
- Option Part 8063 Heavy Duty Axle
- Aluminum Accessory Aluminum Portal Housings

x2

Portal input gear assembly

10x15x4mm BB



C. REAR AXLE ASSEMBLY

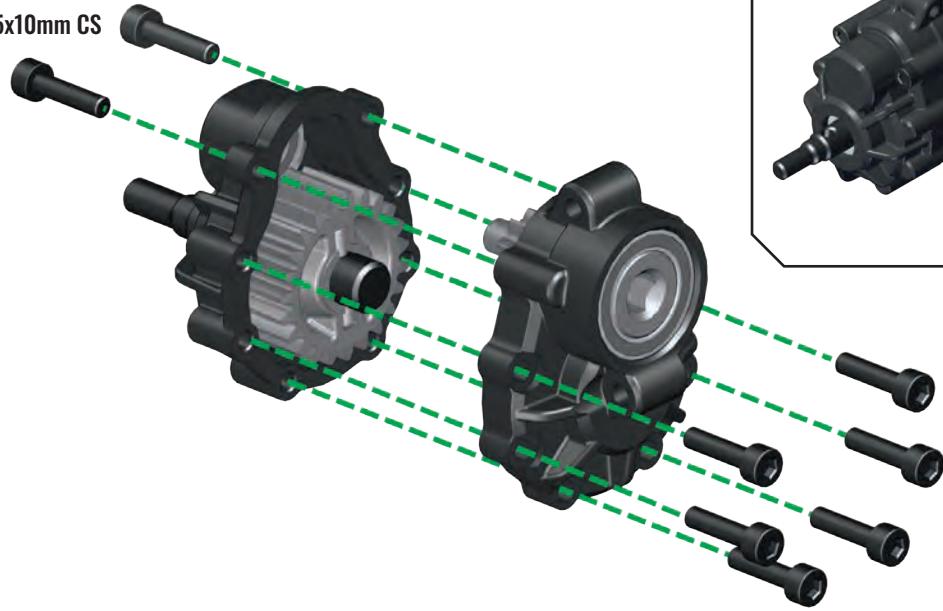
HARDWARE BAG

2.5x10mm CS (8)



C9. Assemble portal housings

2.5x10mm CS



2.5x10mm CS

REAR AXLE BAG

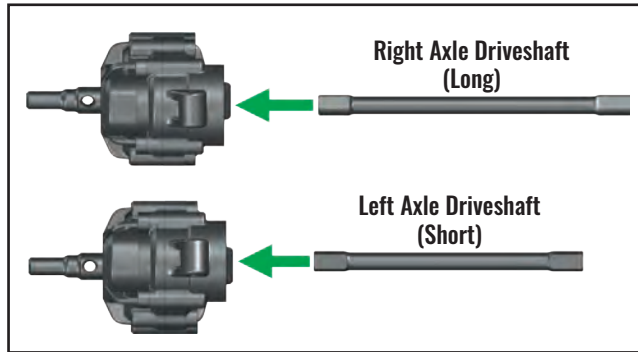
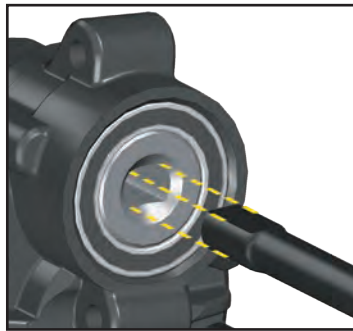
Right Axle Driveshaft



Left Axle Driveshaft



C10. Install axle driveshafts

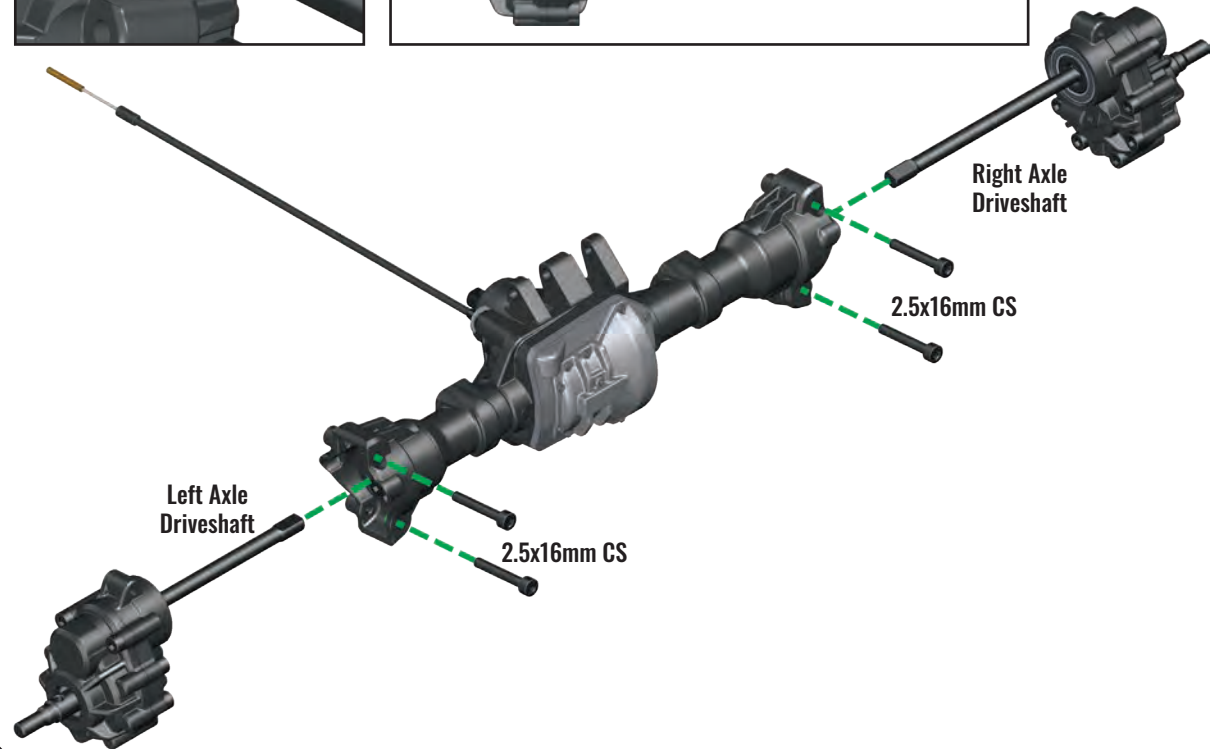


Right Axle Driveshaft (Long)

Left Axle Driveshaft (Short)

HARDWARE BAG

2.5x16mm CS (4)



Left Axle Driveshaft

2.5x16mm CS

Right Axle Driveshaft

2.5x16mm CS

ACCESSORY

 Option Part
8061 Heavy Duty
Rear Axles

C. REAR AXLE ASSEMBLY

REAR AXLE BAG

- Left Link Mount
- Right Link Mount
- 12mm Wheel Hex (2)





HARDWARE BAG

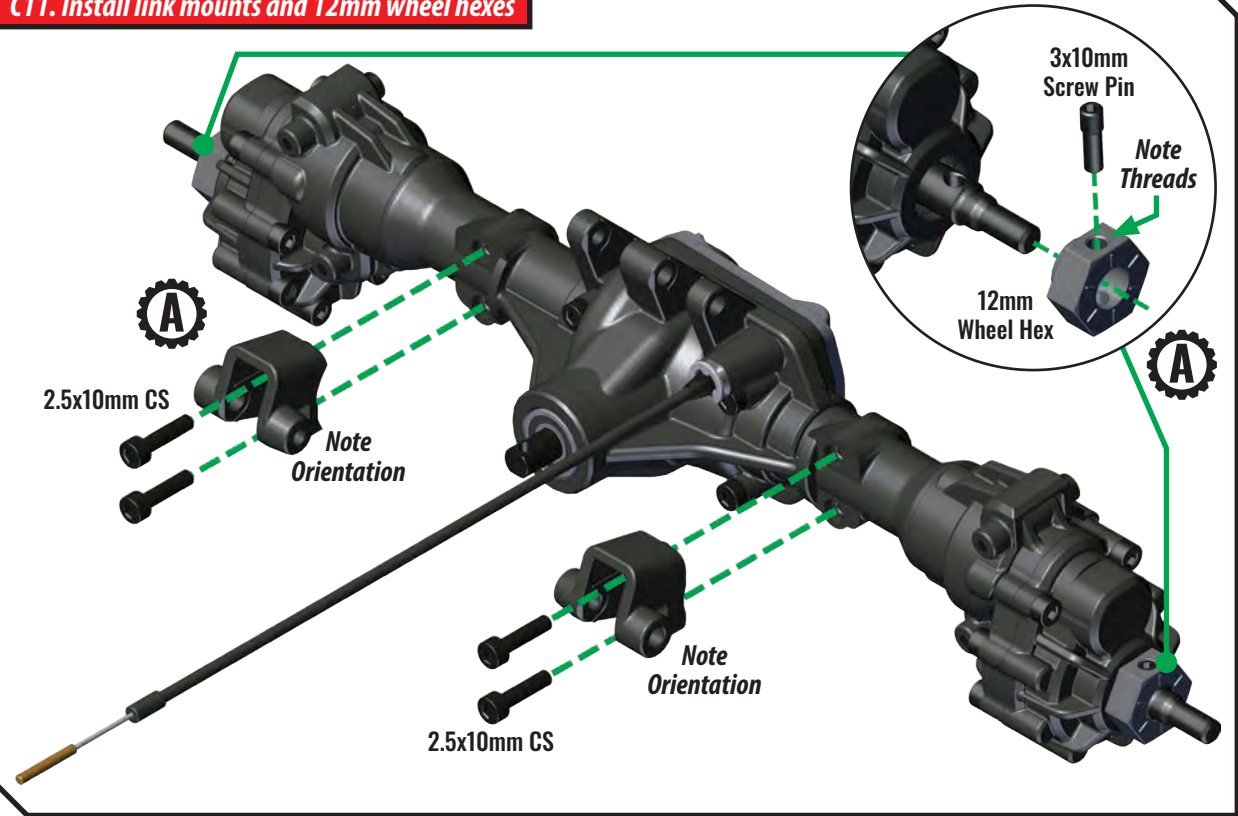
- 2.5x10mm CS (4)
- 3x10mm Screw Pin (2)



ACCESSORY

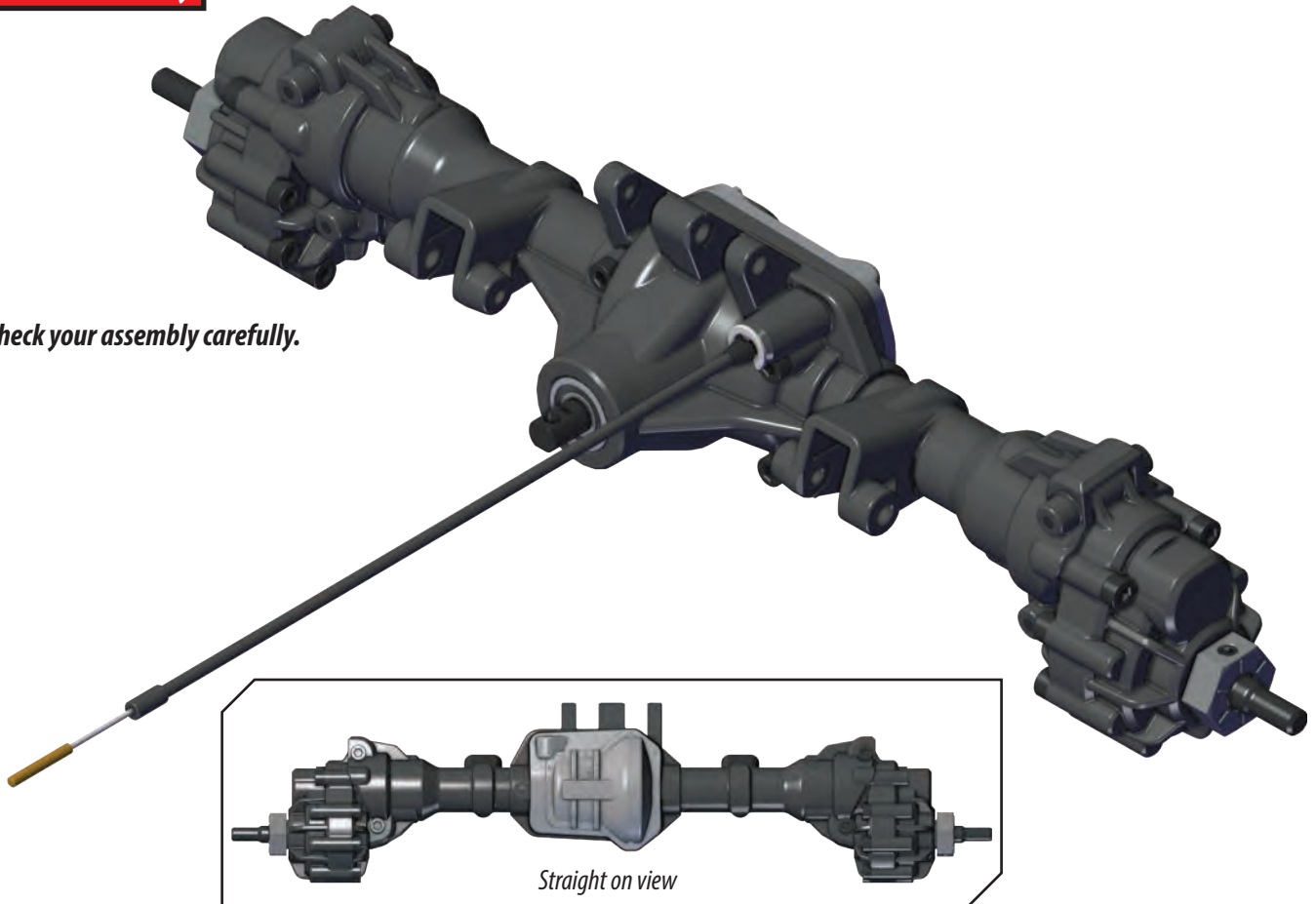
-  Aluminum Accessory
Aluminum Wheel Hex
-  Aluminum Accessory
Aluminum Link Mounts

C11. Install link mounts and 12mm wheel hexes



Completed rear axle assembly

Check your assembly carefully.



D. FRONT AXLE ASSEMBLY

FRONT AXLE BAG

Front Axle Housing
Differential Assembly

11T Pinion Gear

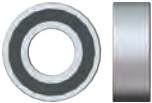


HARDWARE BAG

5x11x4mm BB



6x13x5mm BB



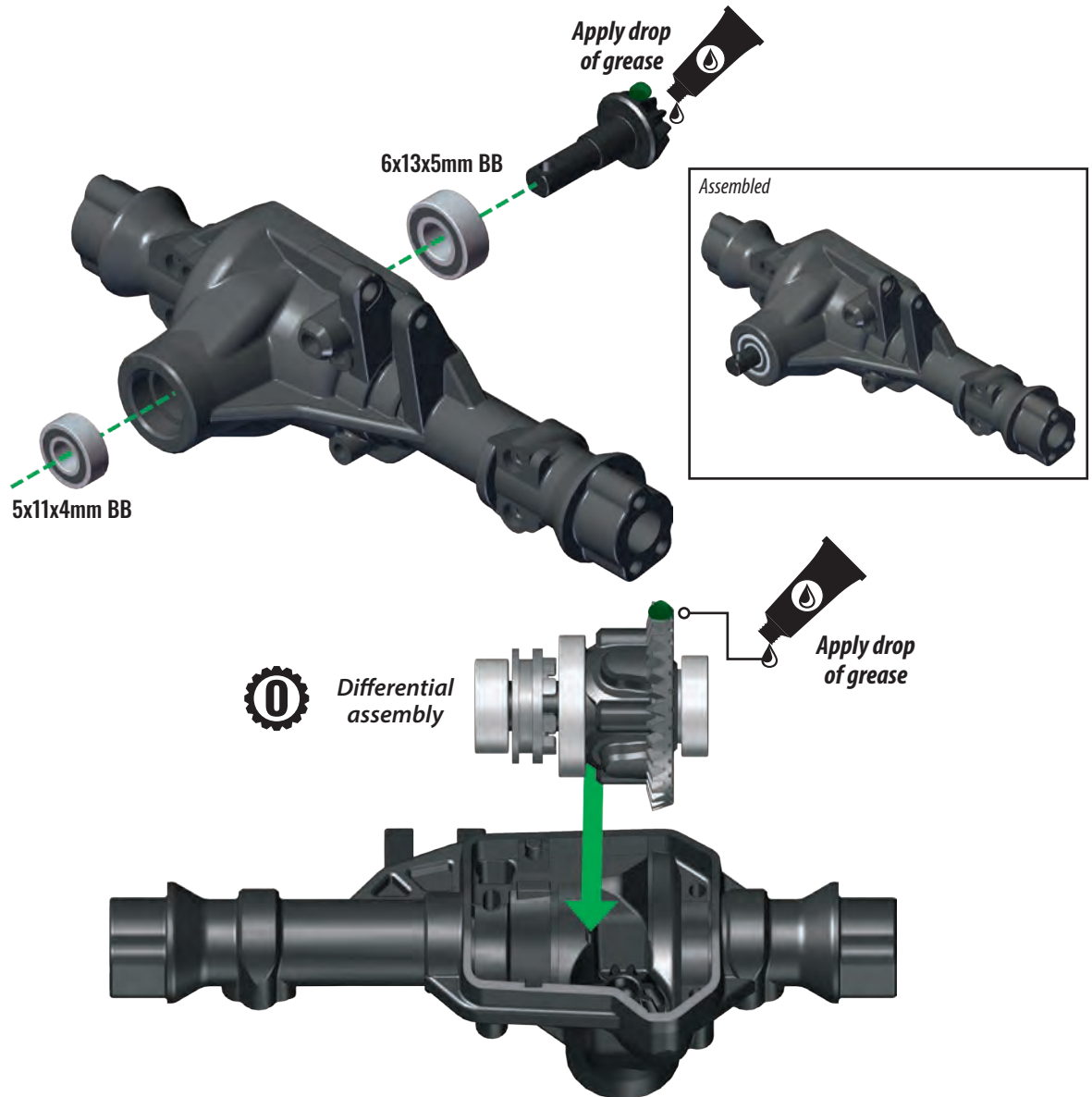
TOOLS BAG

High Performance Grease

ACCESSORY

 Option Part
8297 Differential Spool

D1. Insert bearings, pinion gear and differential assembly into axle housing



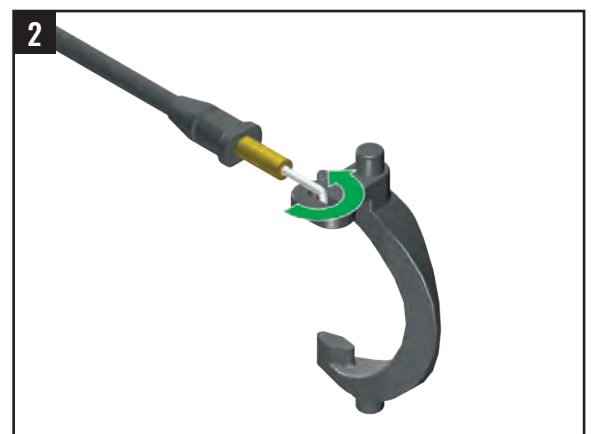
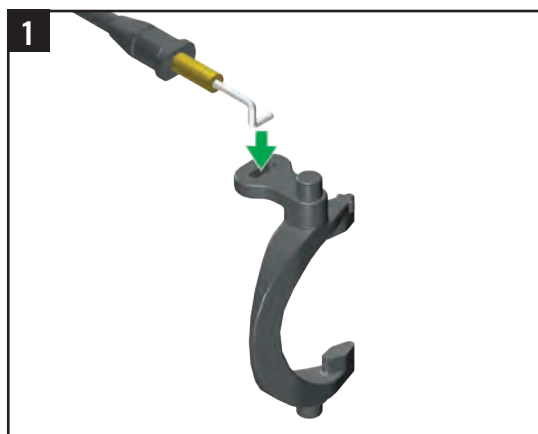
FRONT AXLE BAG

Locking Cable

Locking Fork



D2. Assemble locking fork and locking cable

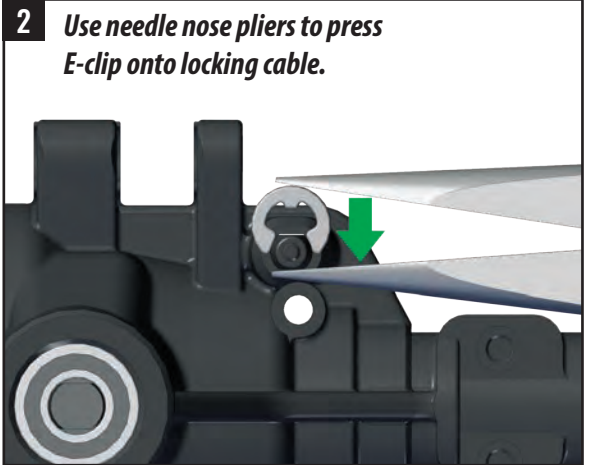
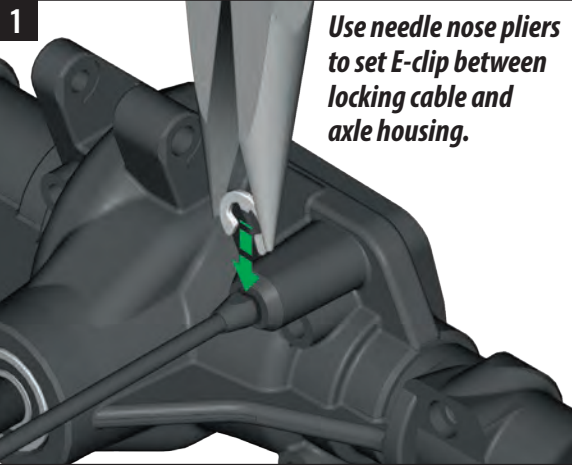
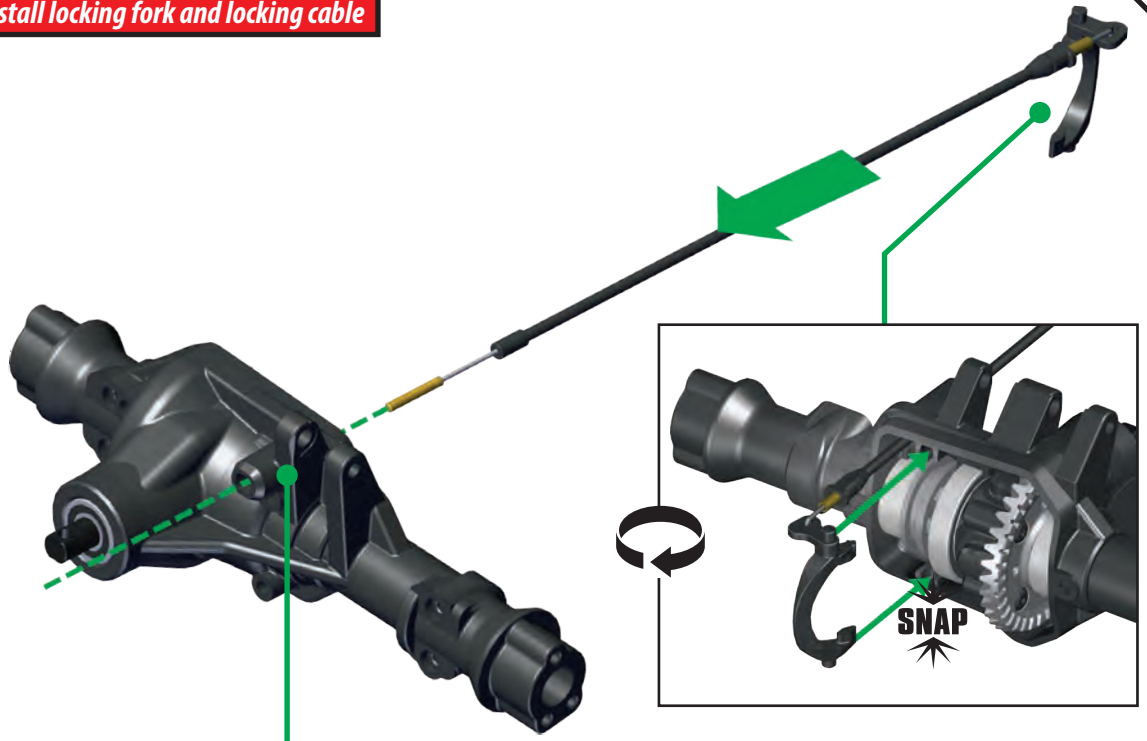


HARDWARE BAG

3mm E-Clip



D3. Install locking fork and locking cable



D4. Verify locking fork installation

Move the end of the locking cable in and out to verify the locking fork moves back and forth on its pivot.



D. FRONT AXLE ASSEMBLY

FRONT AXLE BAG

Differential Housing Cover

HARDWARE BAG

2.5x16mm CS (4)

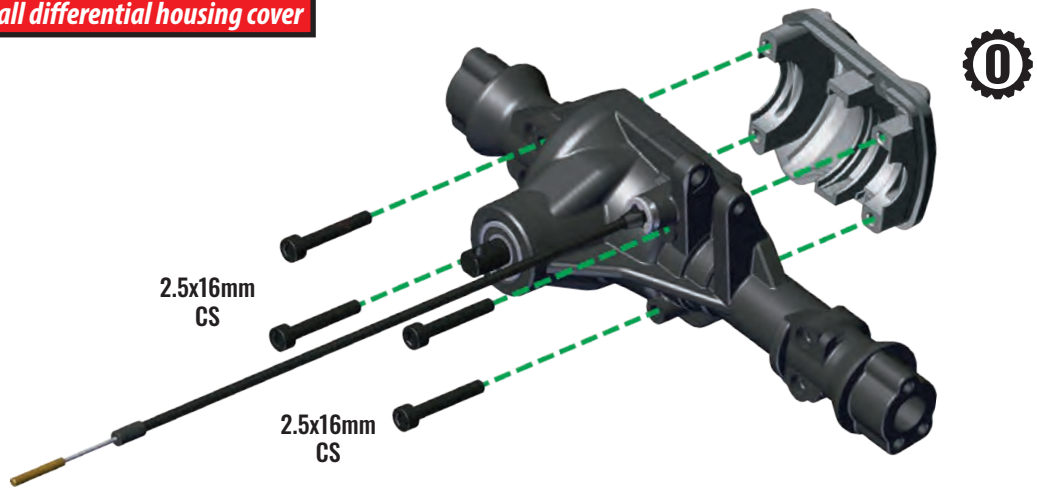


ACCESSORY

0 Option Part
8280R Red
Differential Cover

0 Option Part
8280X Chrome
Differential Cover

D5. Install differential housing cover



FRONT AXLE BAG

Left Caster Block
Right Caster Block

HARDWARE BAG

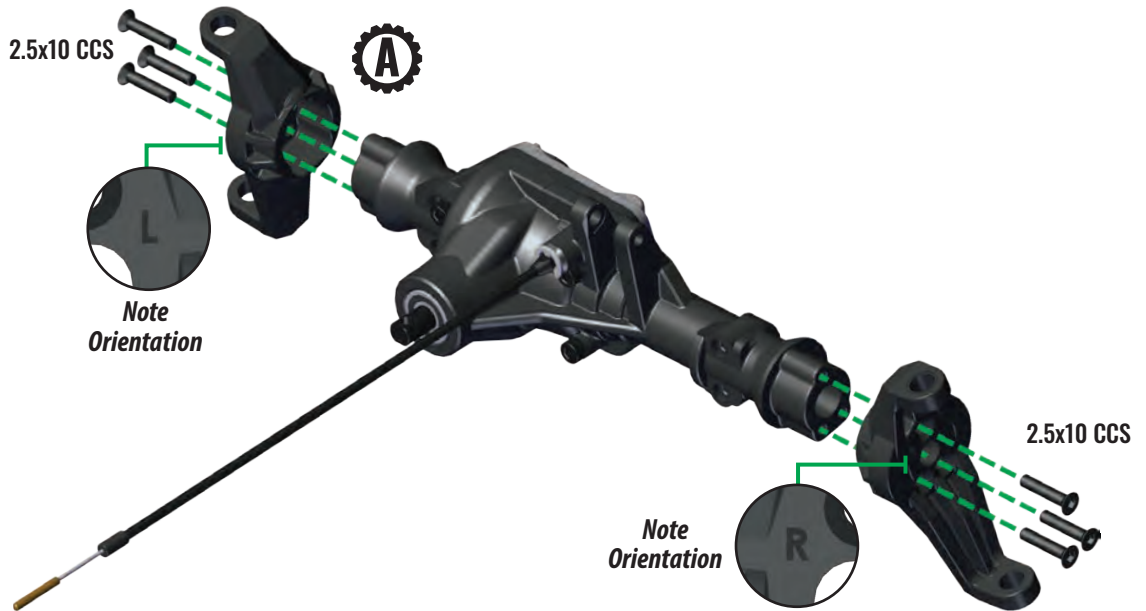
2.5x10mm CCS (6)



ACCESSORY

A Aluminum Accessory
Caster Blocks

D6. Install caster blocks onto axle housing



FRONT AXLE BAG

Inner Front Portal Housing
Outer Front Portal Housing

HARDWARE BAG

4x10x4mm BB



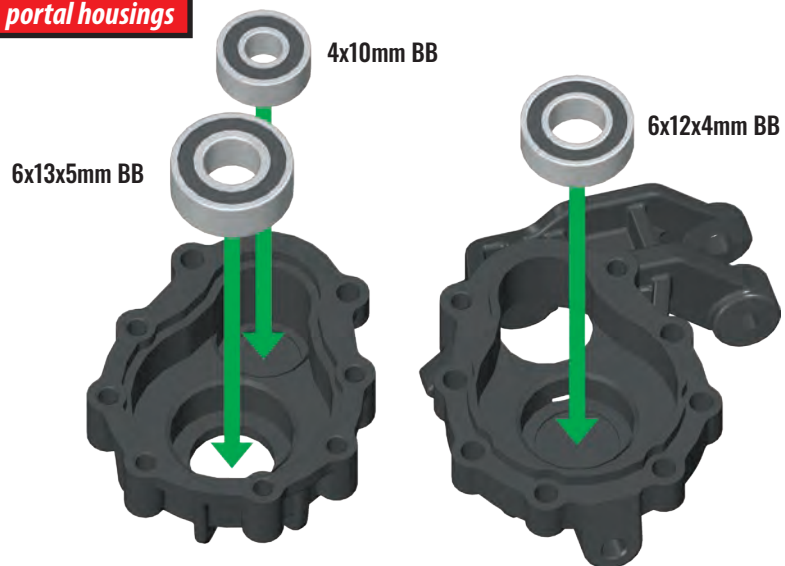
6x12x4mm BB



6x13x5mm BB



D7. Insert bearings into portal housings

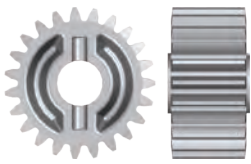


x2

D. FRONT AXLE ASSEMBLY

FRONT AXLE BAG

Front Left Driveshaft
Front Right Driveshaft
Portal Output Gear



HARDWARE BAG

2.5x4mm BCS (3)



2.5x10mm CS (8)



2x12mm Pin (2)



12x18x4mm BB



Axle CV Cross Pin



TOOLS BAG

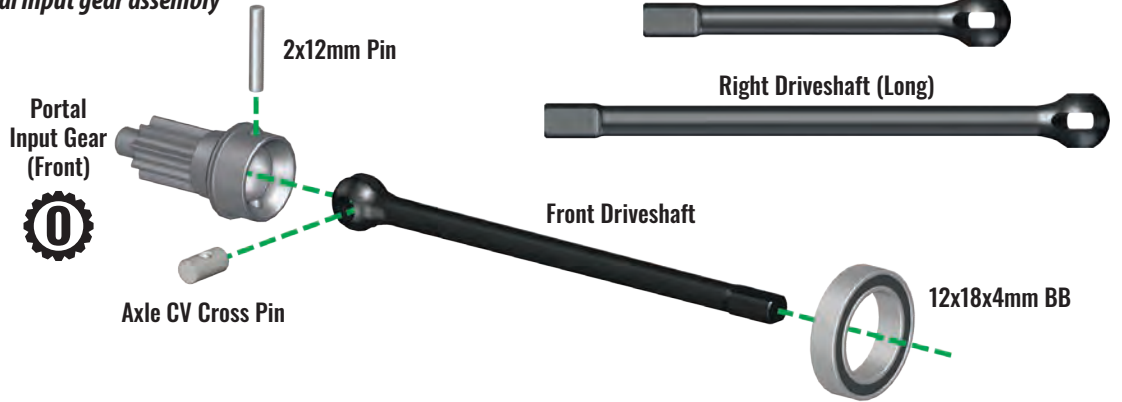
High Performance Grease

ACCESSORY

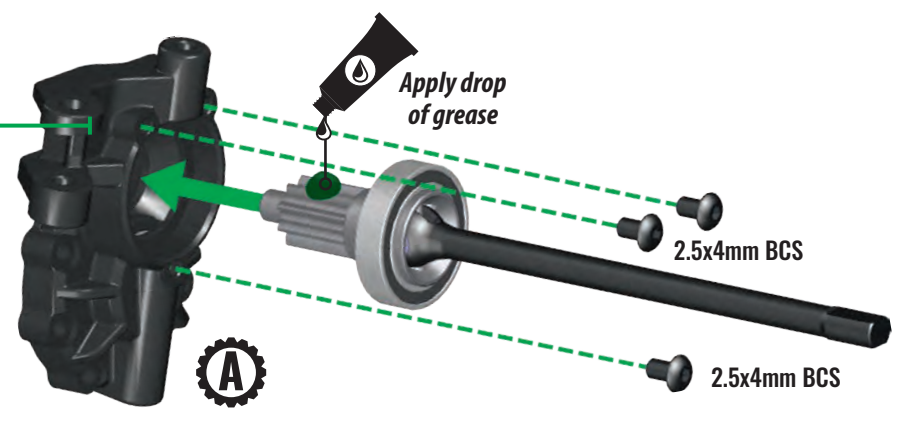
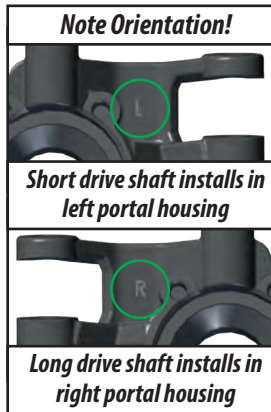
- Option Part 8064 Machined Input Gear
- Option Part 8060 Heavy Duty Axle
- Aluminum Accessory Aluminum Portal Housings

D8. Assemble and install portal input and output gears

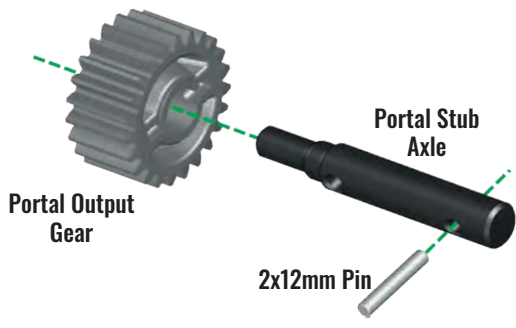
1 Portal input gear assembly



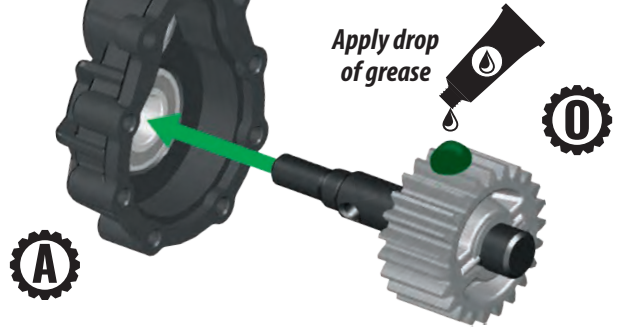
2



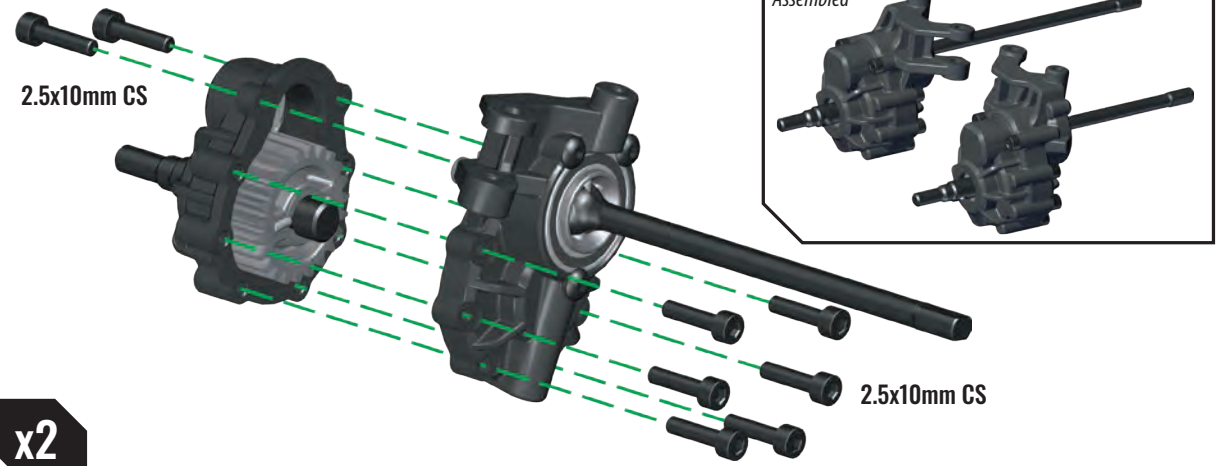
1 Portal output gear assembly



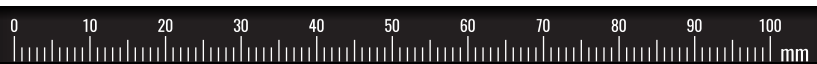
2



Assemble portal housings



x2



D. FRONT AXLE ASSEMBLY

HARDWARE BAG

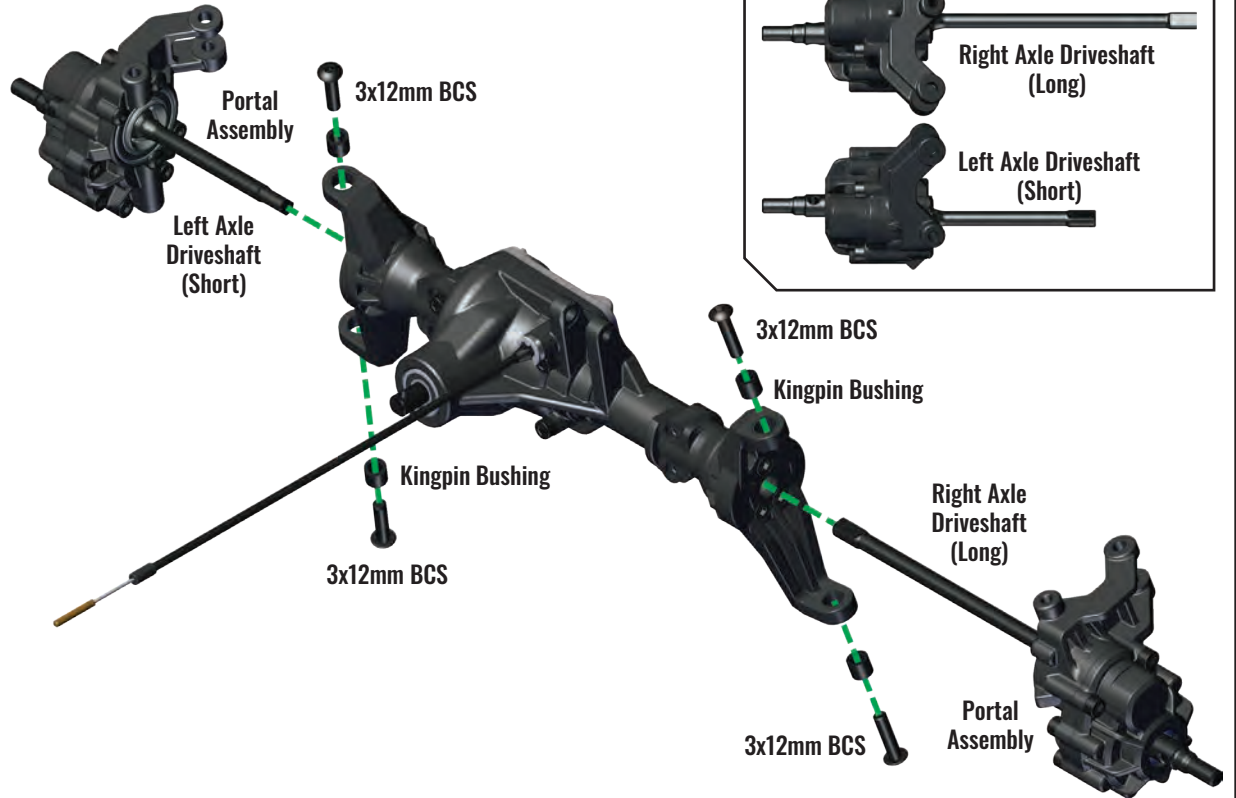
3x12mm BCS (4)



Kingpin Bushing (4)



D9. Install portal/driveshaft assemblies to axle



FRONT AXLE BAG

Left Link Mount

Right Link Mount

12mm Wheel Hex (2)



HARDWARE BAG

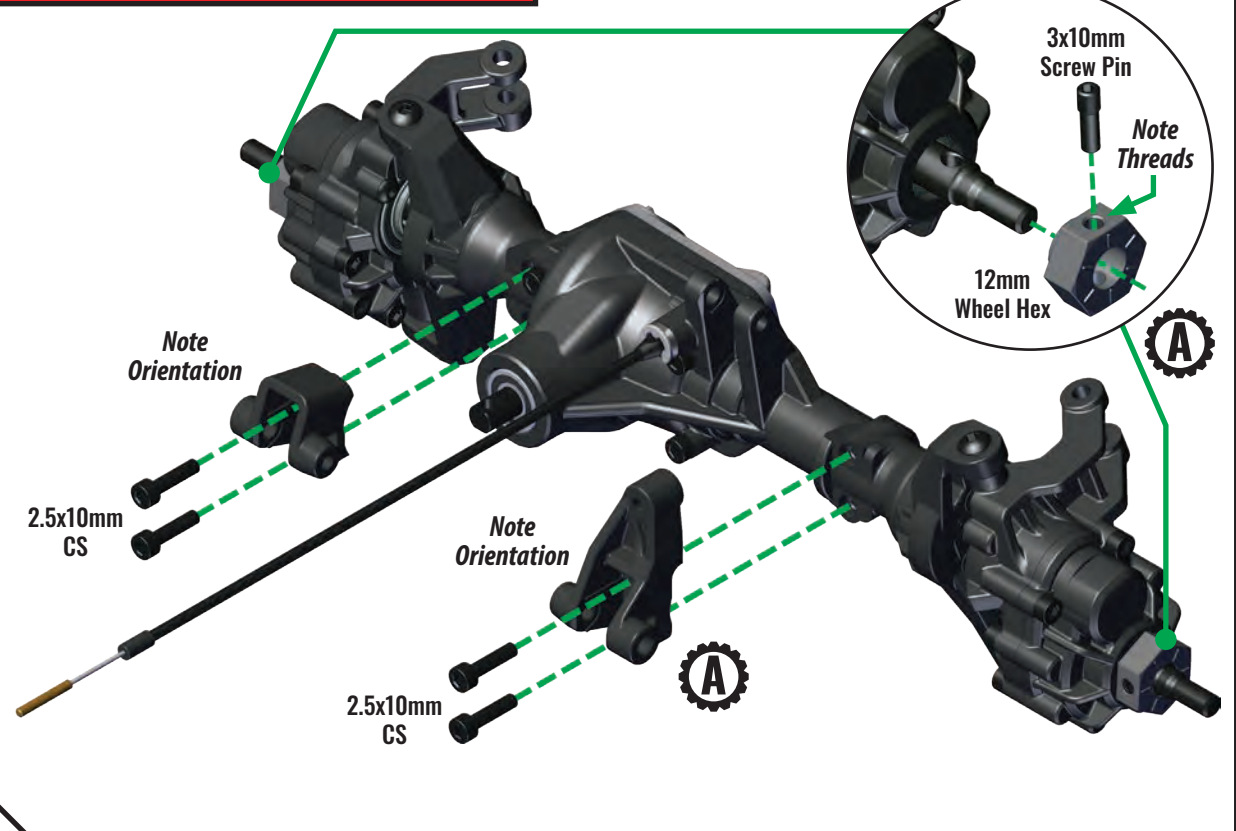
2.5x10mm CS (4)



3x10mm Screw Pin (2)



D10. Install link mounts and 12mm wheel hexes



ACCESSORY

A Aluminum Accessory
Aluminum Wheel Hex

A Aluminum Accessory
Aluminum Link Mounts

D. FRONT AXLE ASSEMBLY

HARDWARE BAG

3x15mm BCS



SUSPENSION LINK BAG

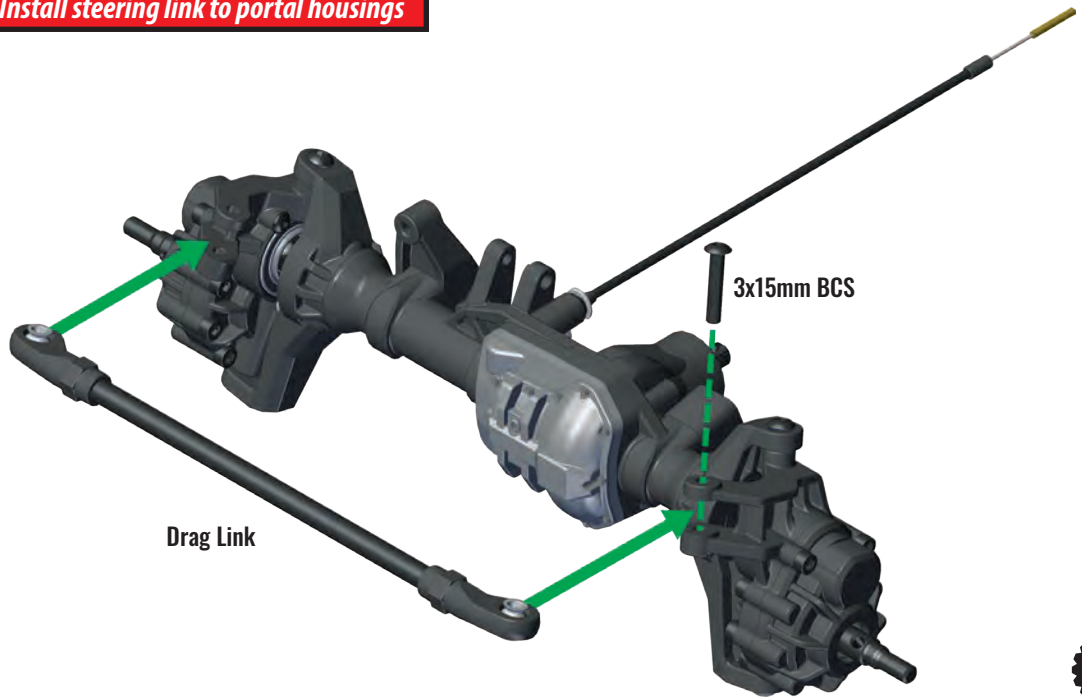
Drag Link

ACCESSORY

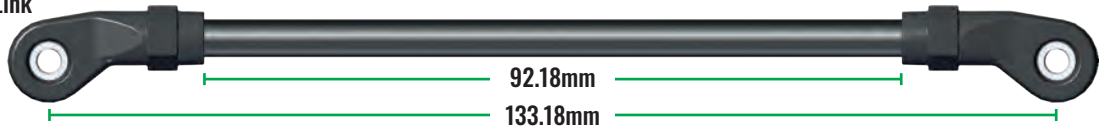


Option Part
8274 Hollow Ball Set

D11. Install steering link to portal housings

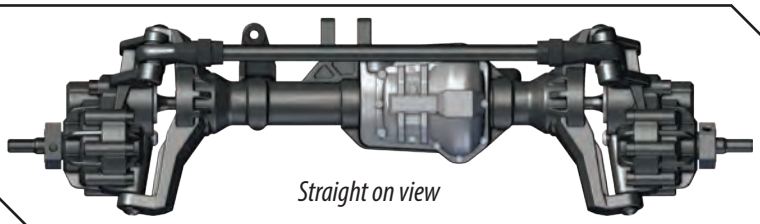
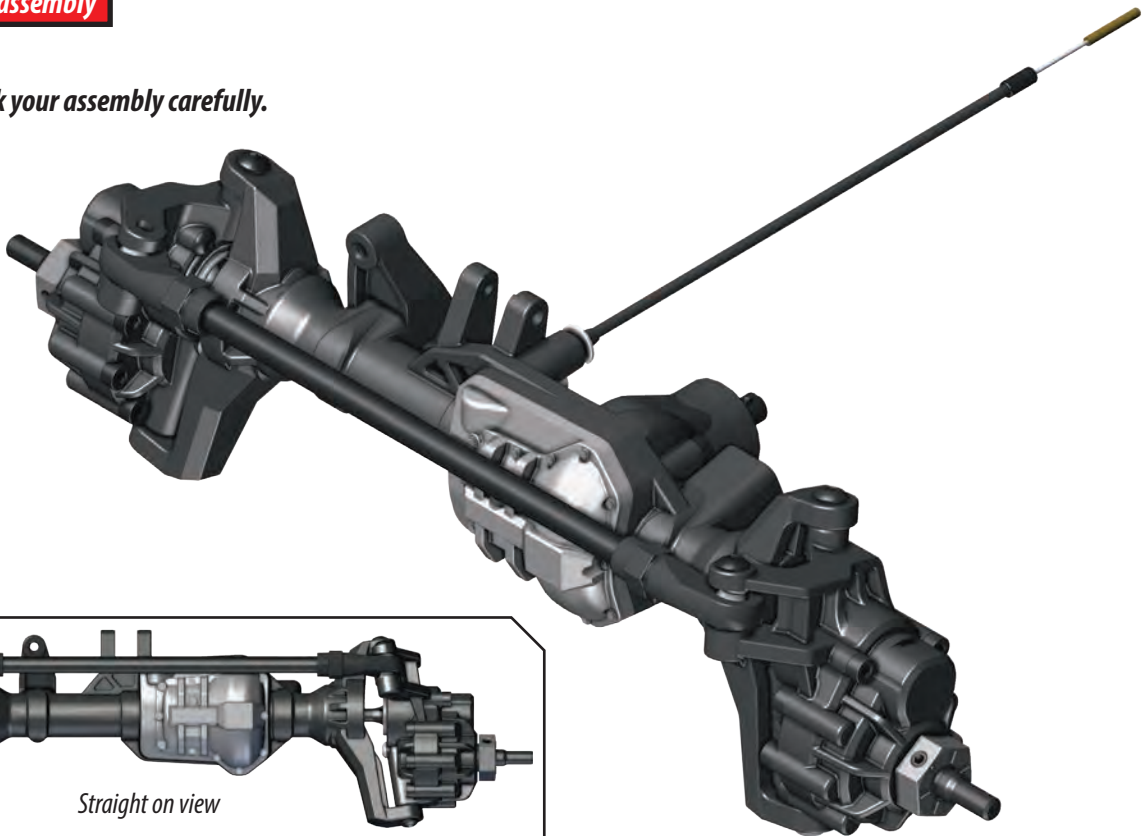


Drag Link



Completed front axle assembly

Check your assembly carefully.



Straight on view



E. CHASSIS ASSEMBLY

CHASSIS PLASTICS BAG

- Right Chassis Rail
- Steering Servo Mount
- Front Bumper Mount Crossmember
- Right Front Fender

HARDWARE BAG

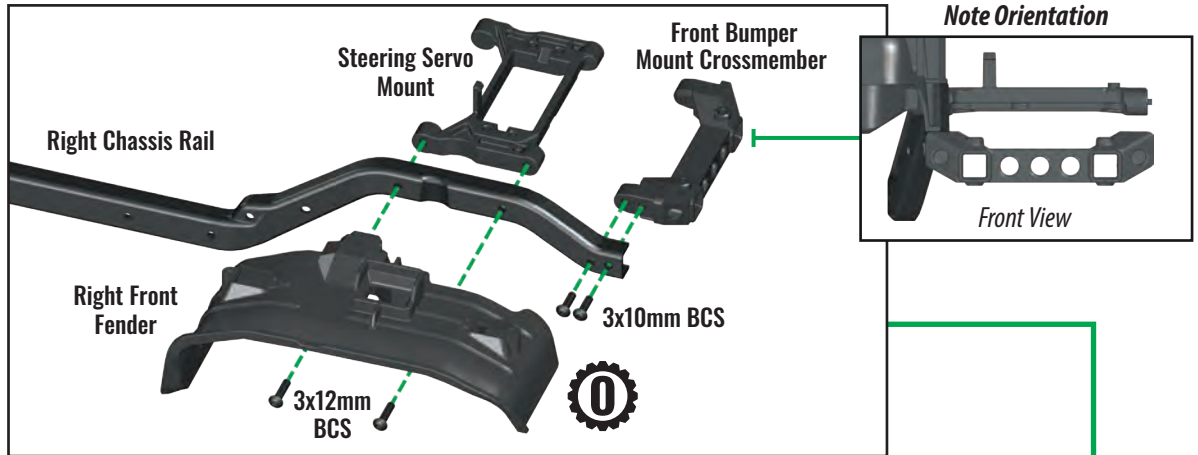
3x10mm BCS (2)



3x12mm BCS (2)



E1. Assemble front bumper mount crossmember, steering servo mount, and front fender to right chassis rail



ACCESSORY

- Option Part 8216 Shock Towers

CHASSIS PLASTICS BAG

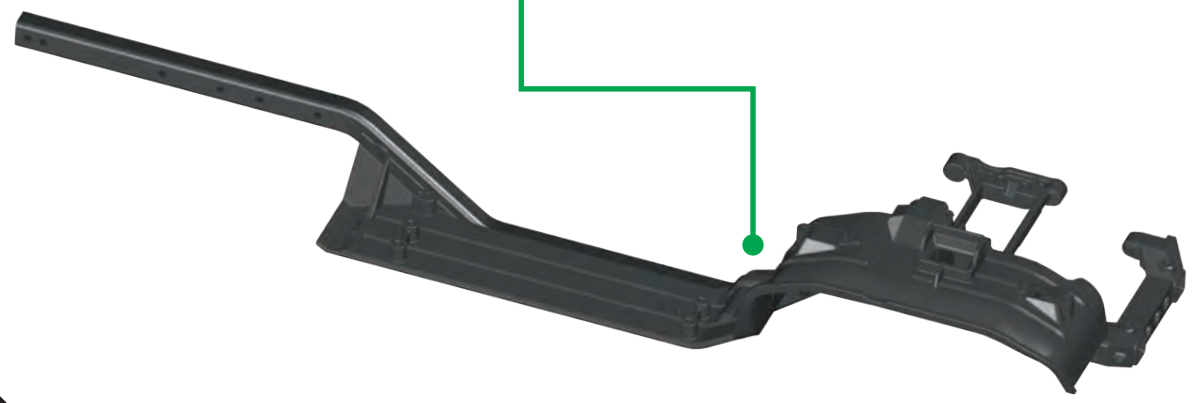
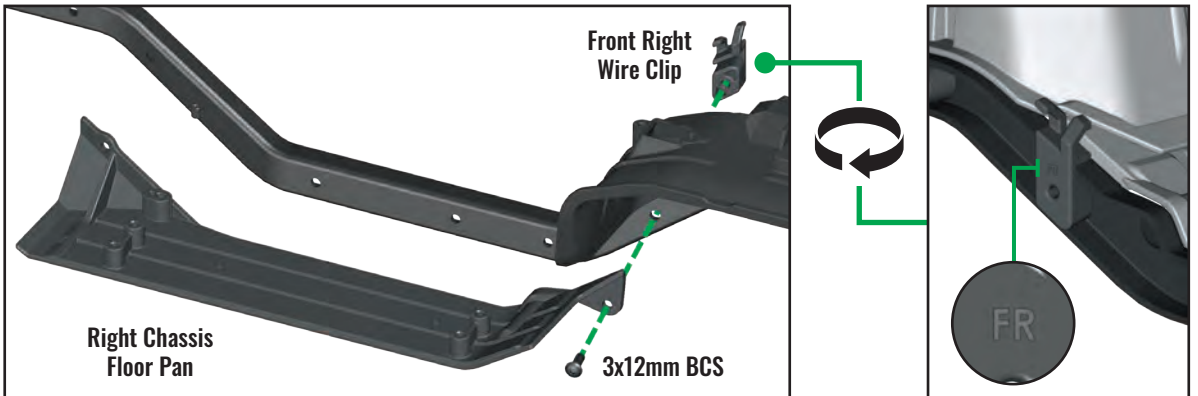
- Right Chassis Floor Pan
- Front Right Wire Clip

HARDWARE BAG

3x12mm BCS



E2. Assemble right floor pan and right front wire clip to right chassis rail



E. CHASSIS ASSEMBLY

CHASSIS PLASTICS BAG

Lower Gear Cover
Center Skidplate
Rear Right Wire Clip

HARDWARE BAG

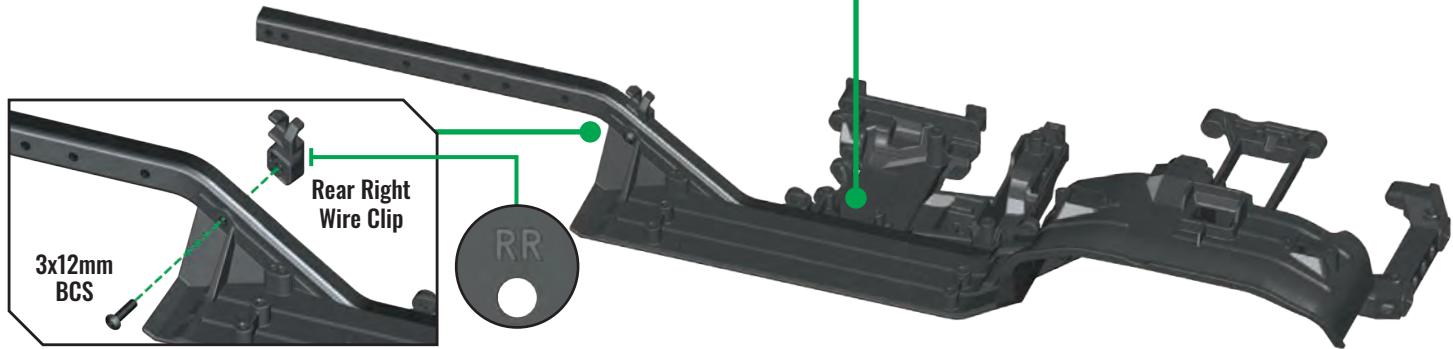
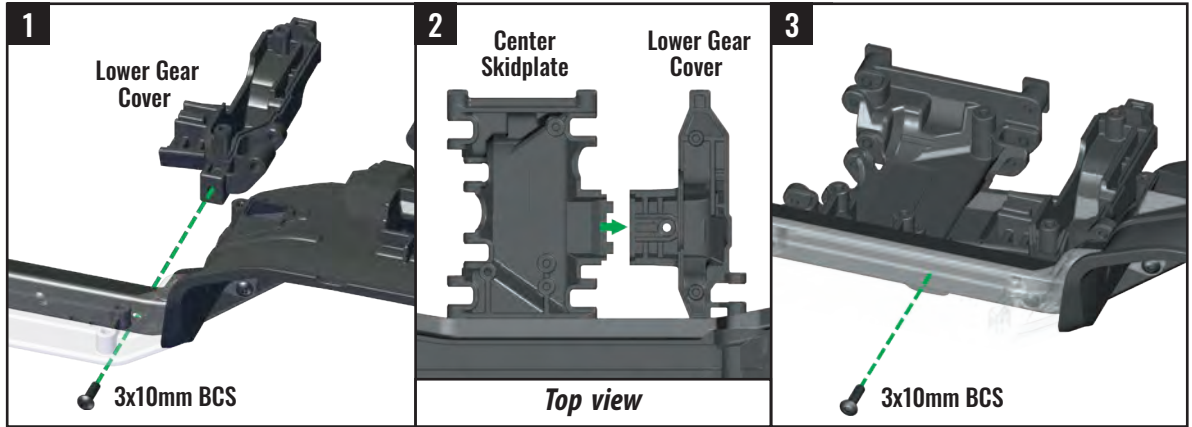
3x10mm BCS (2)



3x12mm BCS



E3. Assemble front lower gear cover and center skidplate to chassis rail



CHASSIS PLASTICS BAG

Right Rear Fender
Damper Crossmember
Rear Bumper Crossmember

HARDWARE BAG

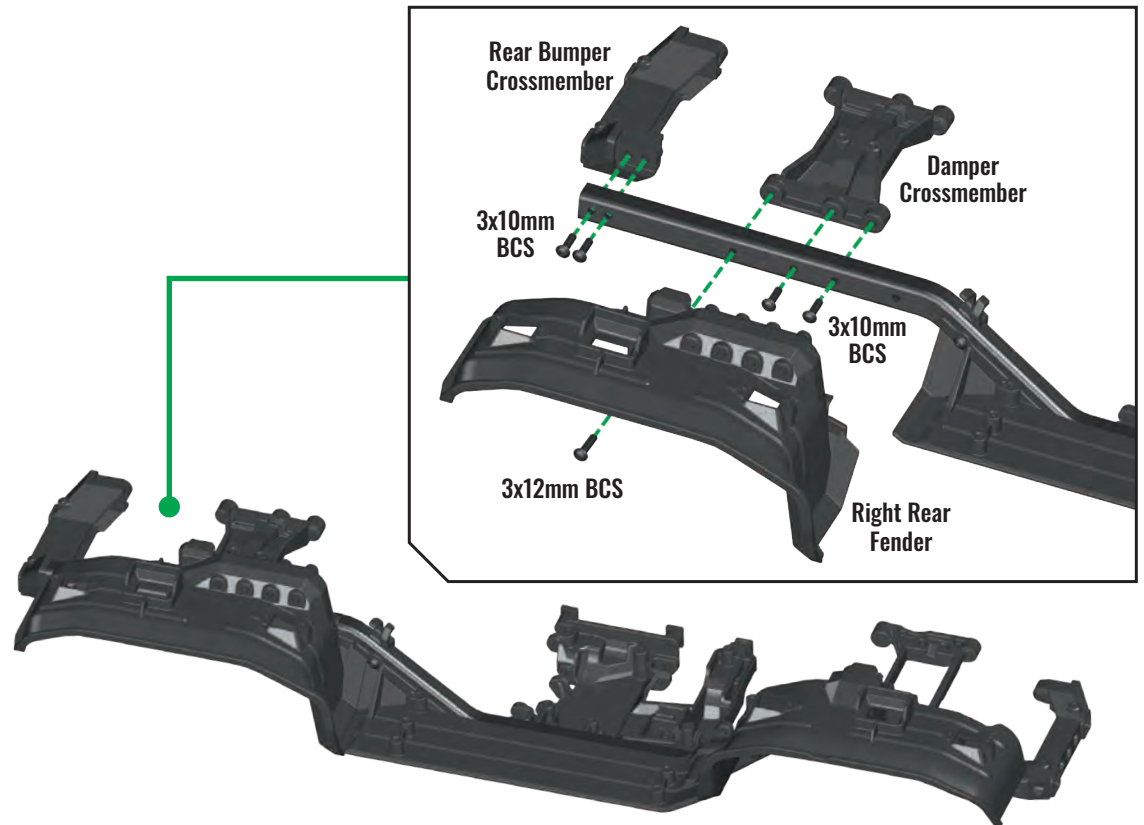
3x10mm BCS (4)



3x12mm BCS



E4. Assemble right rear fender, damper crossmember, and rear bumper crossmember to right chassis rail



E. CHASSIS ASSEMBLY

CHASSIS PLASTICS BAG

Left Chassis Rail
Left Front Fender
Front Battery Plate

HARDWARE BAG

3x10mm BCS (2)



3x12mm BCS (2)



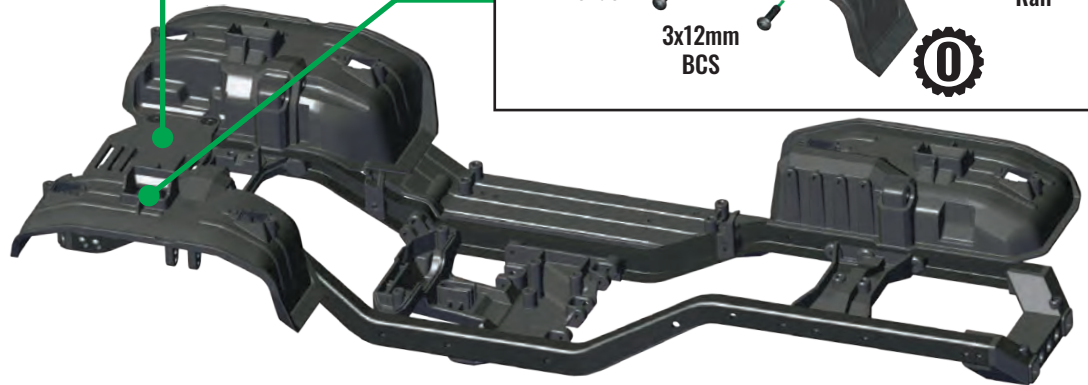
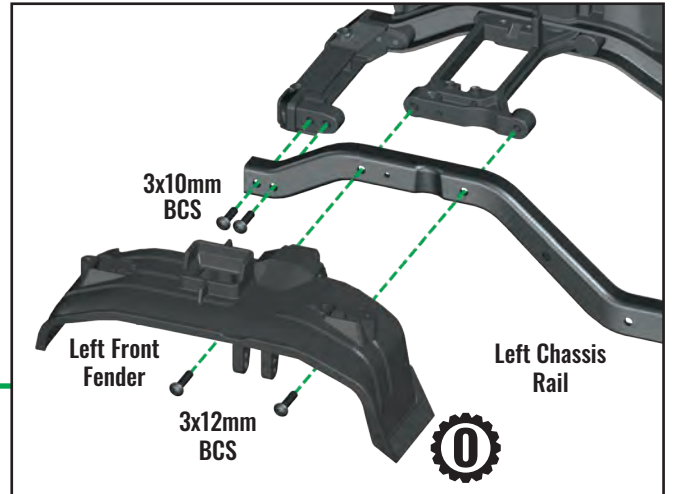
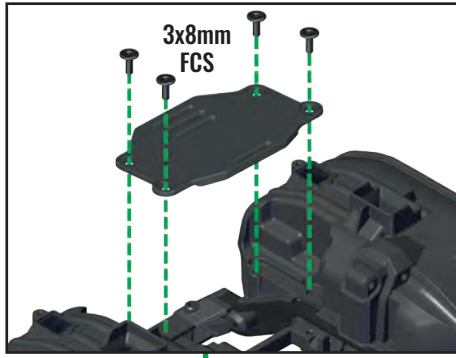
3x8mm FCS (4)



ACCESSORY

 Option Part
8216 Shock Towers

E5. Assemble left chassis rail and left front fender to right chassis rail assembly



CHASSIS PLASTICS BAG

Left Chassis Floor Pan
Rear Left Wire Clip
Front Left Wire Clip

HARDWARE BAG

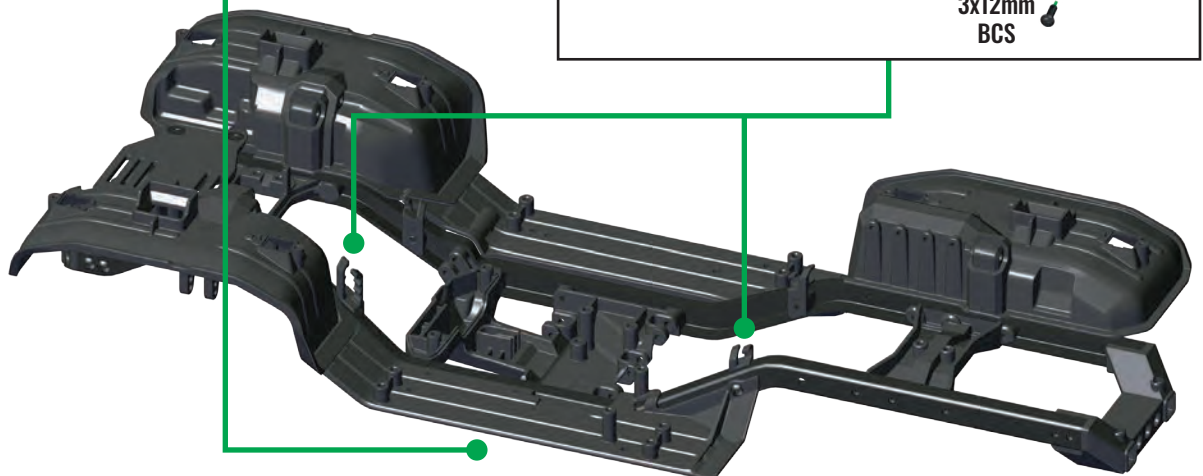
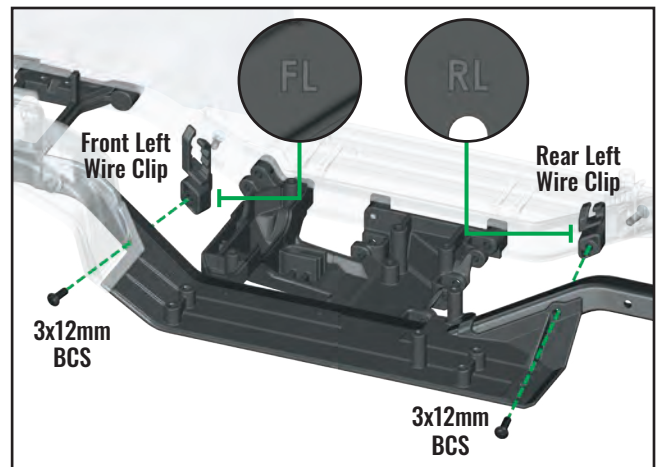
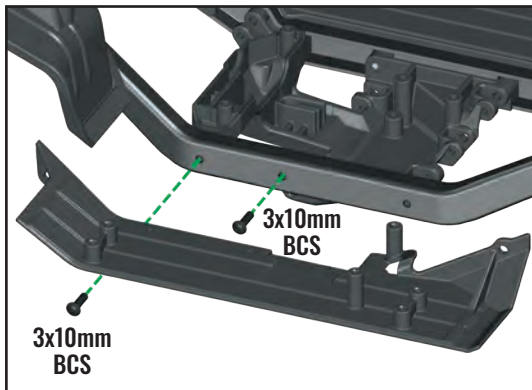
3x10mm BCS (2)



3x12mm BCS (2)



E6. Assemble left floor pan, left rear and left front wire clip to left chassis rail



E. CHASSIS ASSEMBLY

CHASSIS PLASTICS BAG

Left Rear Fender
Rock Light Covers (8)

HARDWARE BAG

2.5x6mm CS (10)



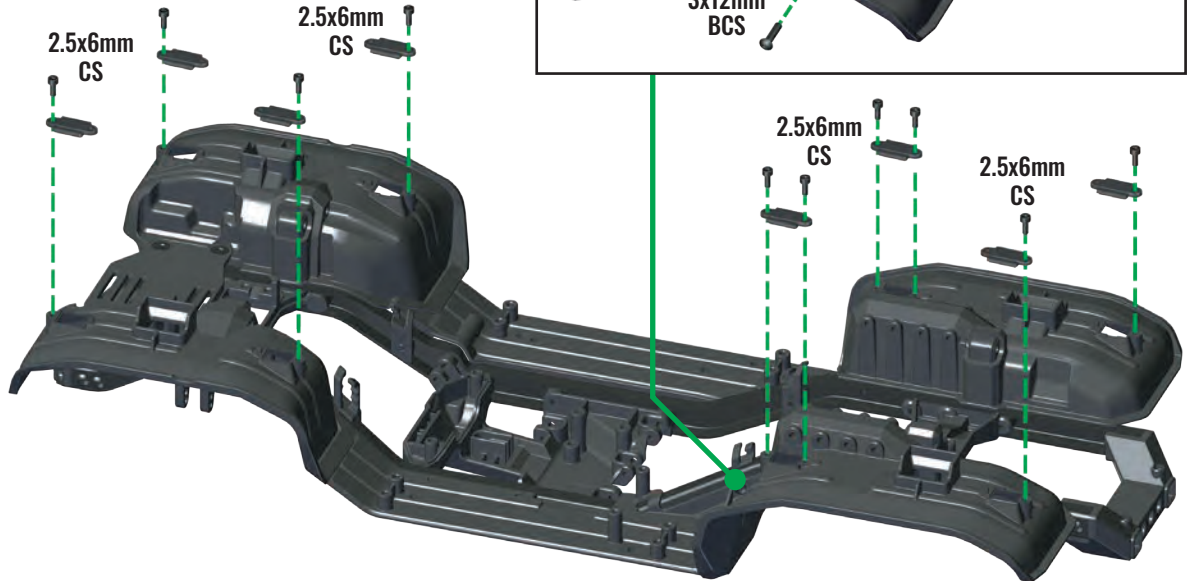
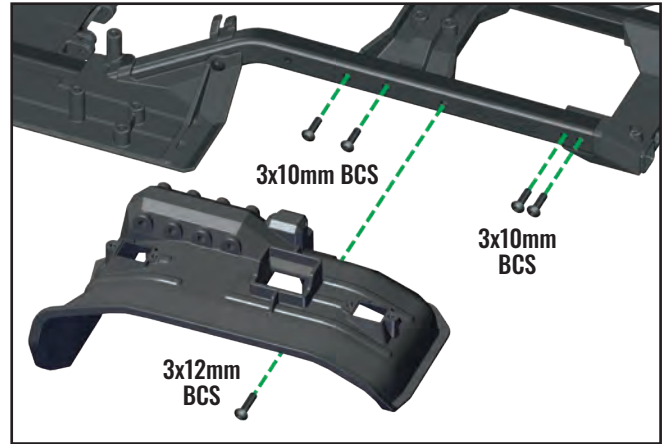
3x10mm BCS (4)



3x12mm BCS



E7. Assemble left rear fender to right chassis rail assembly and install rock light covers to fenders



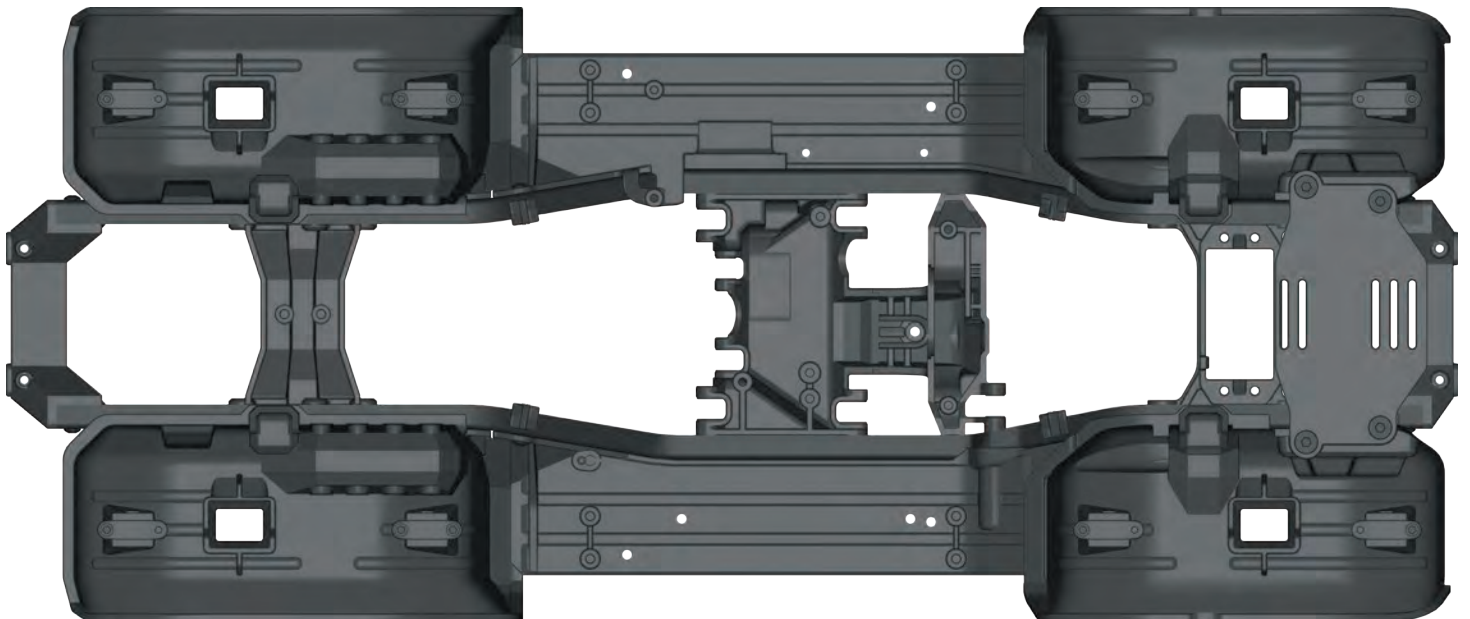
ACCESSORY



Option Part
8026 Rock Light Kit

Completed chassis assembly

Check your assembly carefully.



F. ELECTRONICS INSTALLATION

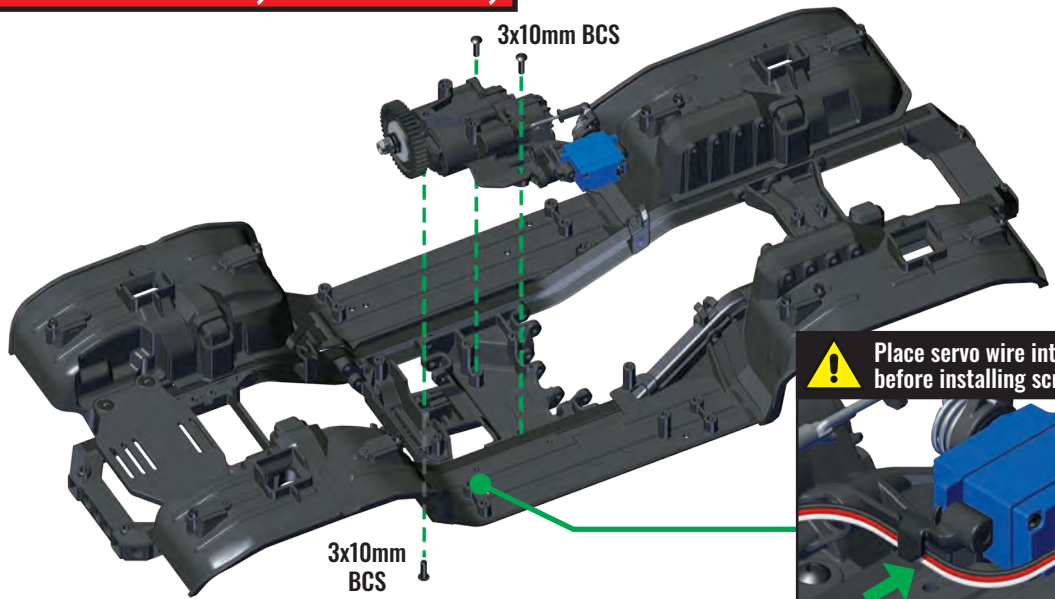
CHASSIS PLASTICS BAG

F1. Install transmission assembly into chassis assembly

Chassis Assembly
Transmission Assembly

HARDWARE BAG

3x10mm BCS (3)



! Place servo wire into clip before installing screws

ELECTRONICS BAG

F2. Install motor into chassis assembly

Upper Gear Cover
Titan 550 Motor
Motor Mount Plate
11T Pinion Gear



HARDWARE BAG

3x8mm CS (2)



3x4 GS with threadlock

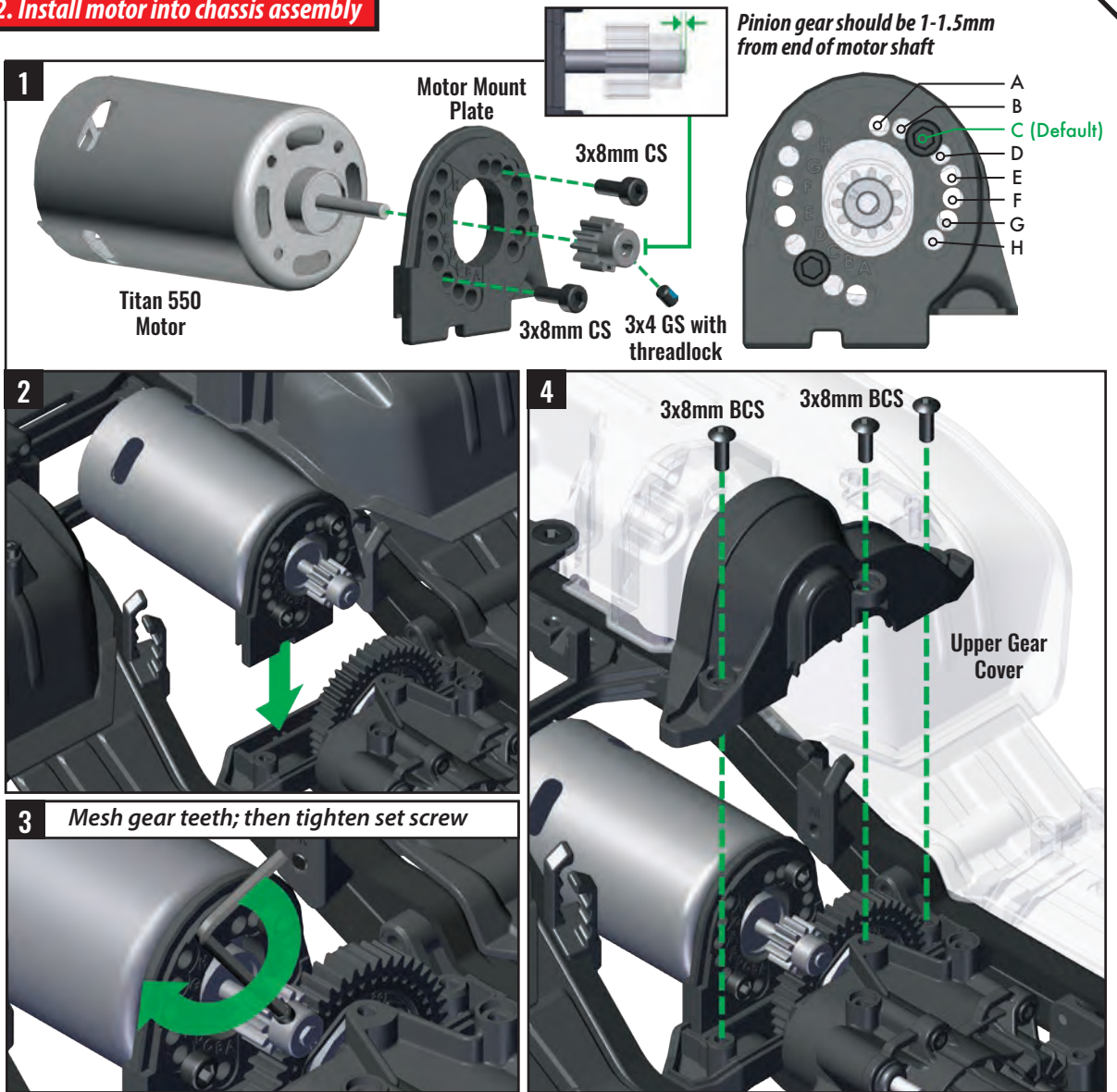


3x8mm BCS (3)



Screw Positions
Spur Gear

Pinion Gear	39		45	
9	x	A		
10	x	B		
11	x	C		
12	x	D		
13	x	E		
14	x	F		
15	A		G	
16	B		H	
17	C			x
18	D			x
19	E			x
20	F			x
21	G			x
22	H			x



Pinion gear should be 1-1.5mm from end of motor shaft

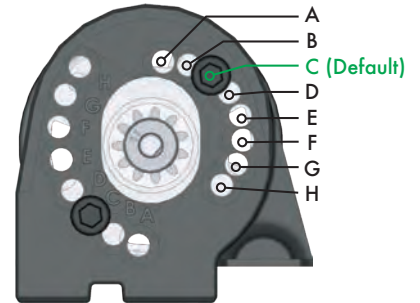
1



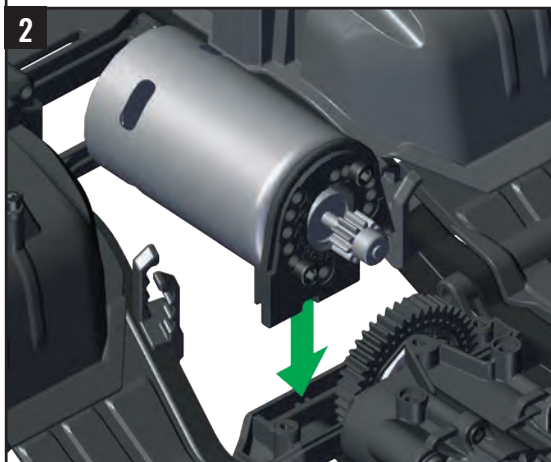
Motor Mount Plate

3x8mm CS

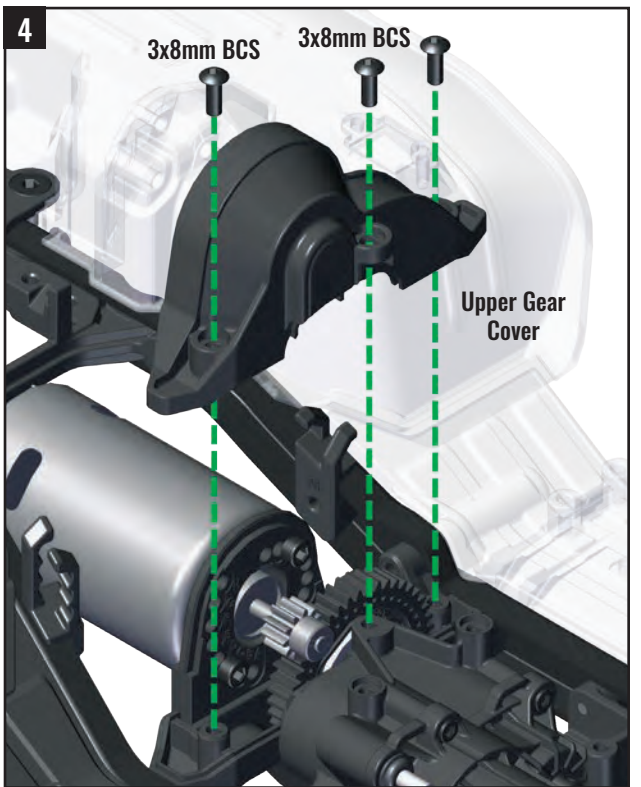
3x4 GS with threadlock



2

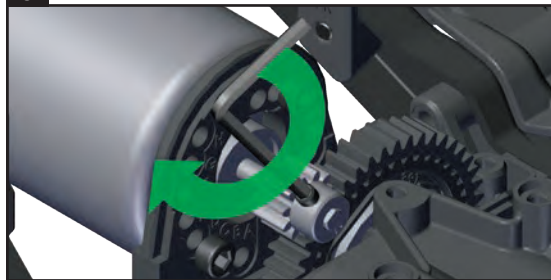


4



3

Mesh gear teeth; then tighten set screw



F. ELECTRONICS INSTALLATION

ELECTRONICS BAG

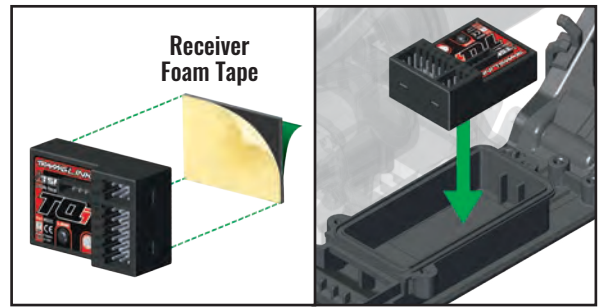
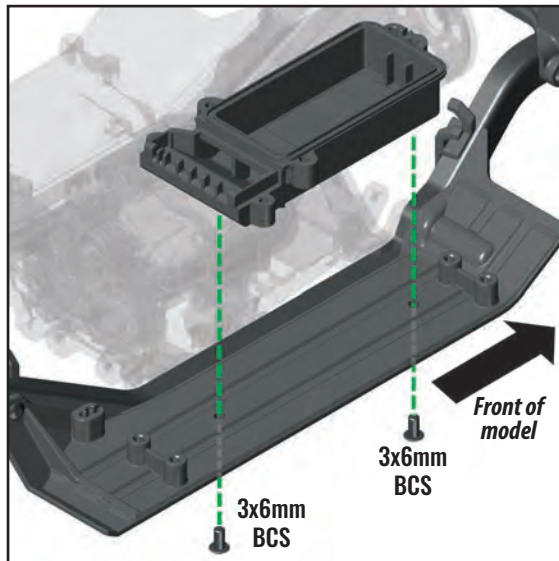
Lower Receiver Box
TQi 2.4GHz Receiver
Receiver Foam Tape

HARDWARE BAG

3x6mm BCS (2)



F3. Install lower receiver box onto chassis assembly



Place on smooth surface portion (note orientation)



ELECTRONICS BAG

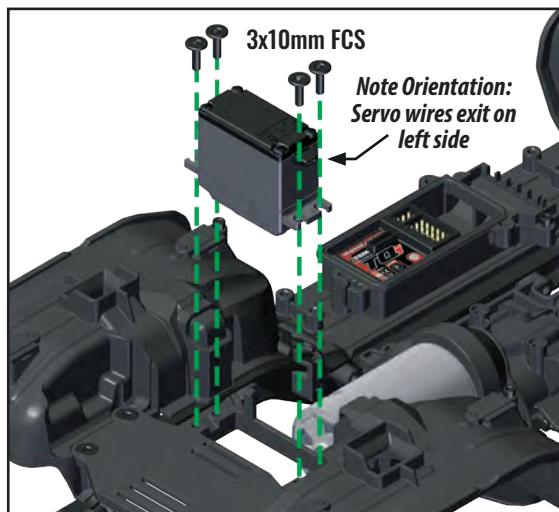
2075 Servo

HARDWARE BAG

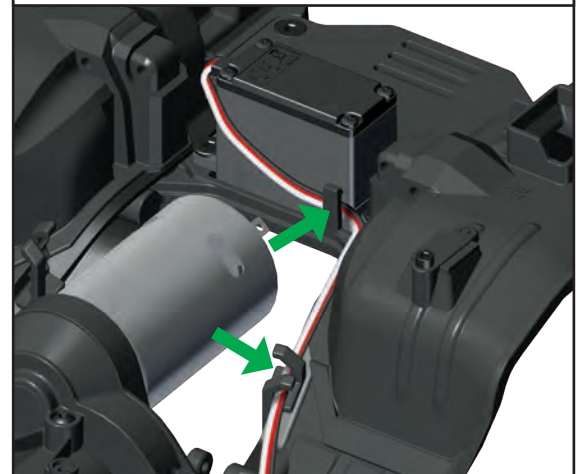
3x10mm FCS (4)



F4. Install steering servo onto chassis assembly



Clip wires into retainers on servo mount and chassis rail toward receiver box



ELECTRONICS BAG

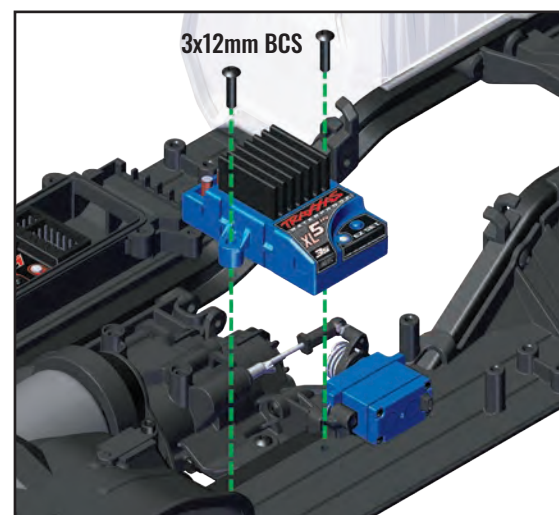
XL-5 HV Electronic Speed Control (ESC)

HARDWARE BAG

3x12mm BCS (2)



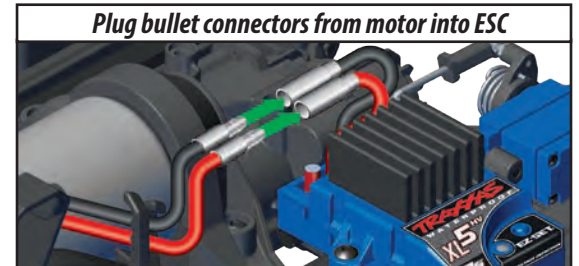
F5. Install ESC onto chassis assembly



Place ESC wire under screw boss before installing screws



Plug bullet connectors from motor into ESC



ELECTRONICS BAG

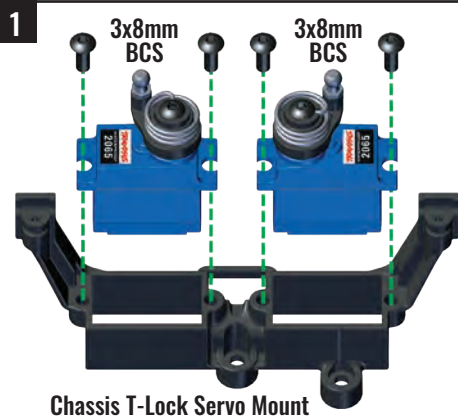
Chassis T-Lock Servo Mount
2065 Servo (2)

HARDWARE BAG

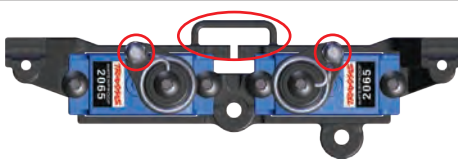
3x8mm BCS (6)



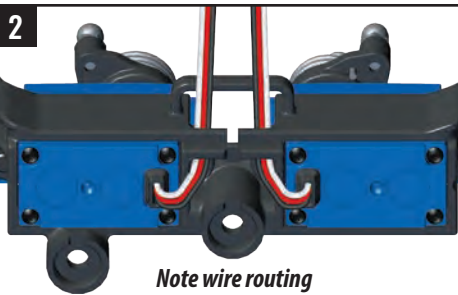
F6. Install T-Lock servos onto chassis



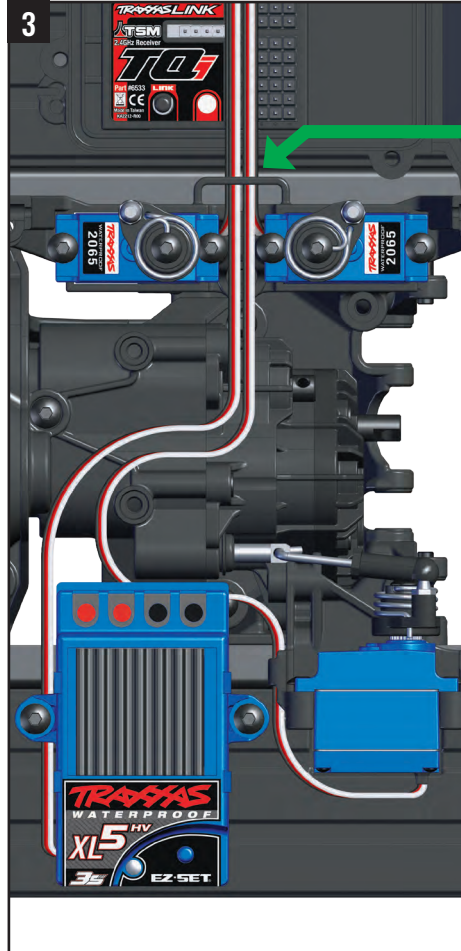
Chassis T-Lock Servo Mount



Note servo arm orientation. Ball cup mounts should be on the same side as the top loop of servo mount.



Note wire routing



! Route wires from the ESC and the shift servo through the top loop of the T-Lock servo mount before installing the mount on the chassis.



ELECTRONICS BAG

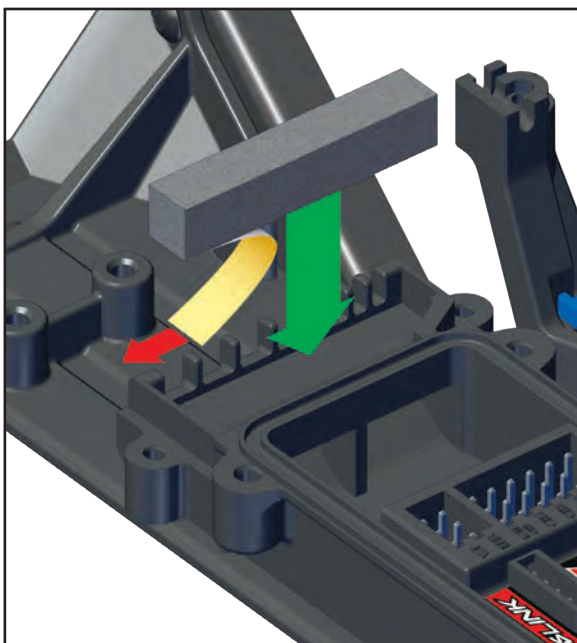
Receiver Box Foam Seal
Antenna Tube
Antenna Cap

HARDWARE BAG

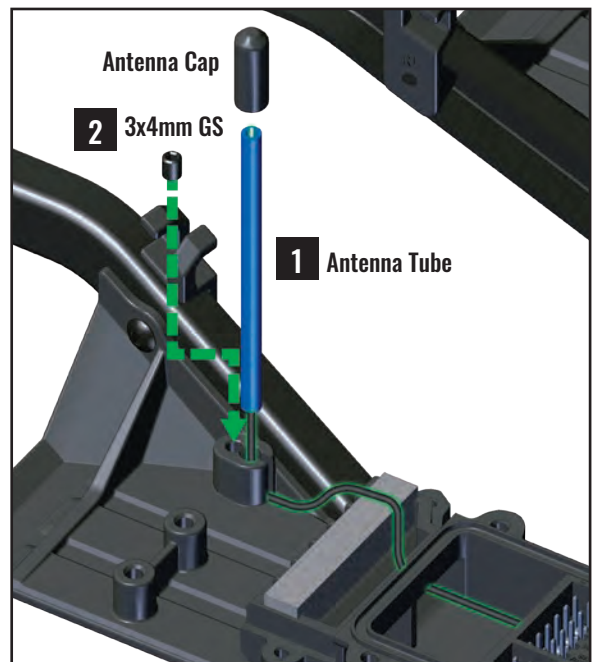
3x4mm GS



F7. Install receiver bottom foam



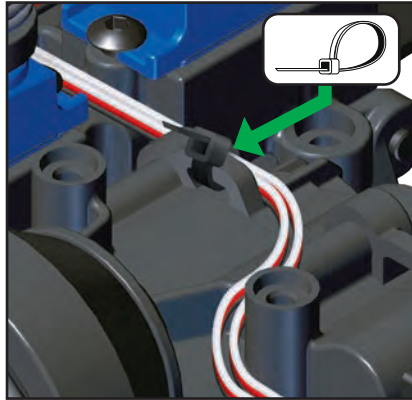
F8. Install antenna from receiver on right floor pan



ELECTRONICS BAG

Zip Tie

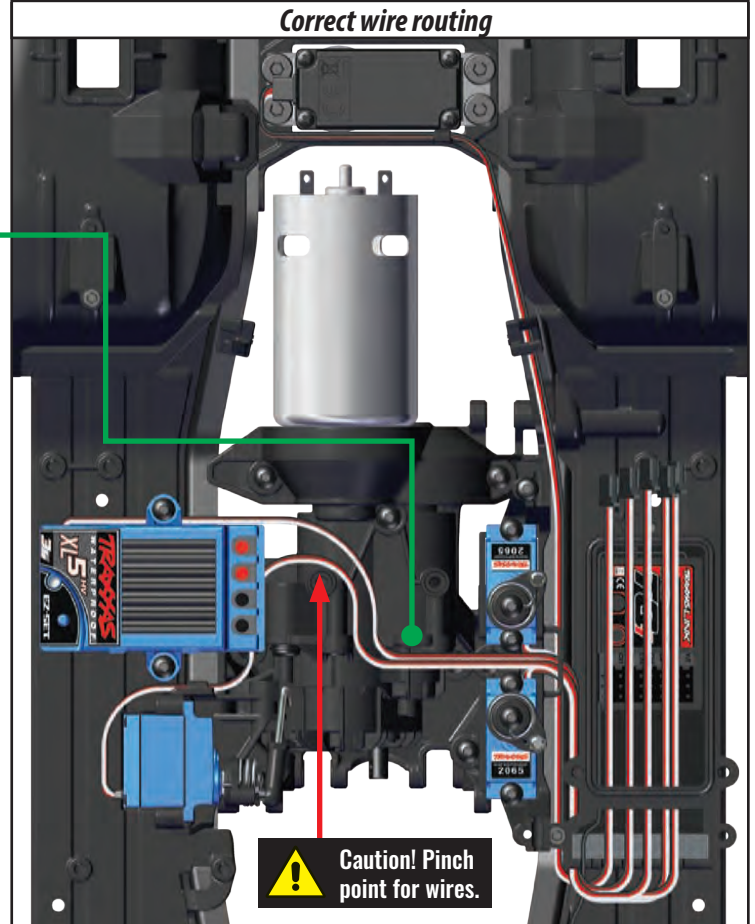
F9. Install wires into receiver box



Bundle excess wires in receiver box



BATT/CH5	Rear T-Lock Servo
CH4	Front T-Lock Servo
CH3	Shift Servo
CH2	Electronic Speed Control
CH1	Steering Servo



ELECTRONICS BAG

Receiver Box Cover

Receiver Box Plug

O-Ring Seal

Receiver Wire Clamp

Receiver Clamp Foam Seal

Silicone Grease

HARDWARE BAG

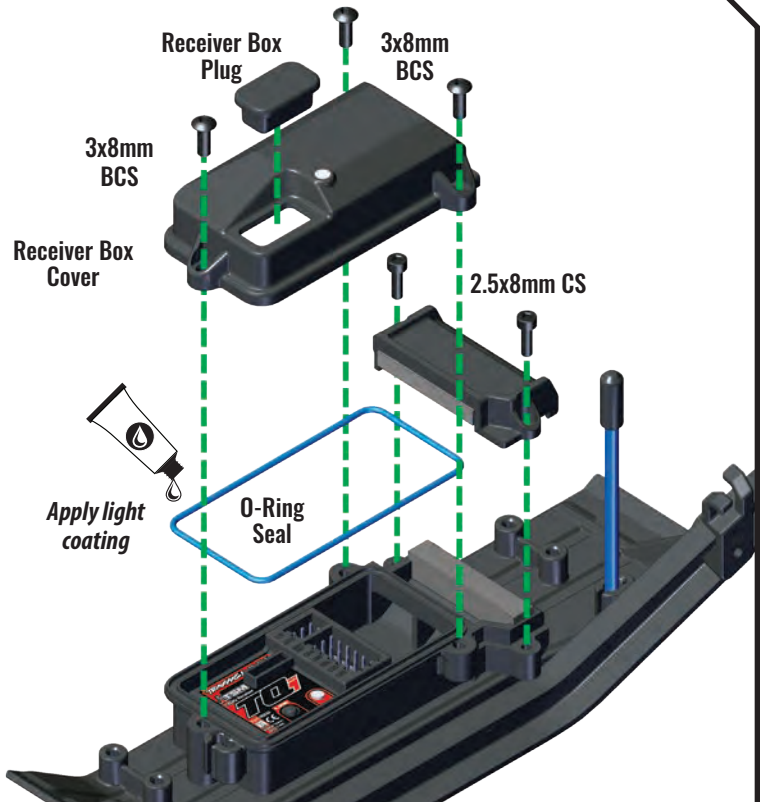
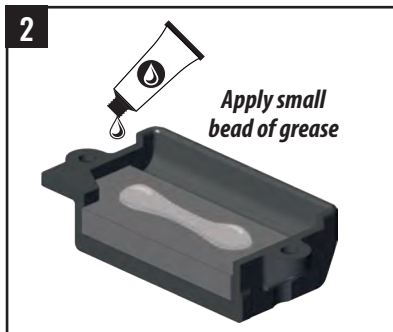
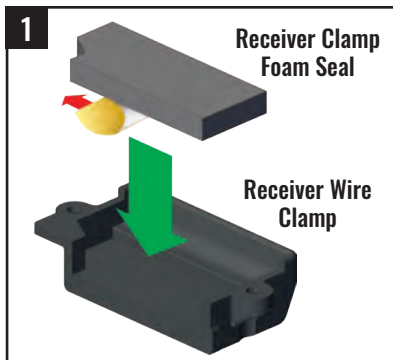
2.5x8mm CS (2)



3x8mm BCS (3)



F10. Waterproof and seal the receiver box



F. ELECTRONICS INSTALLATION

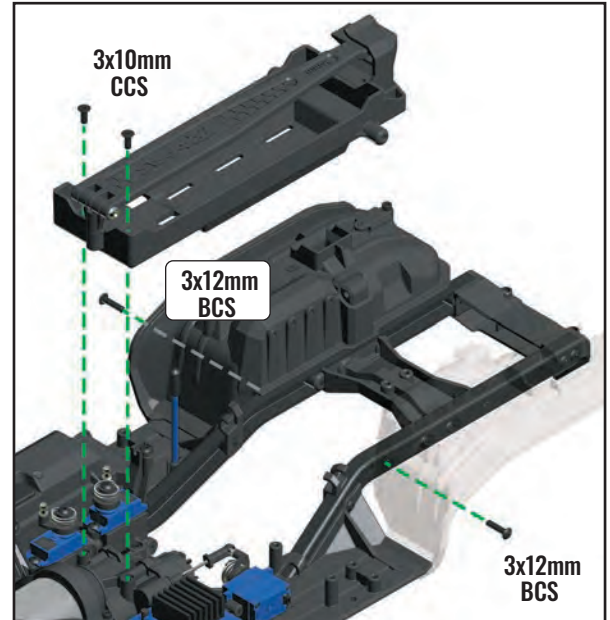
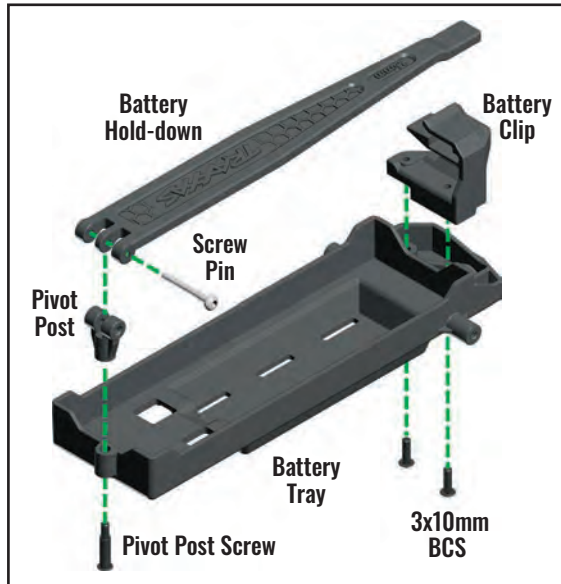
CHASSIS PLASTICS BAG

Battery Tray
Battery Hold-down
Pivot Post
Battery Clip

HARDWARE BAG

3x10mm BCS (2)
3x12mm BCS (2)
Pivot Post Screw
Battery Hold-down Screw Pin
3x10mm CCS (2)

F11. Assemble and install battery tray



ELECTRONICS BAG

Steering Servo Horn

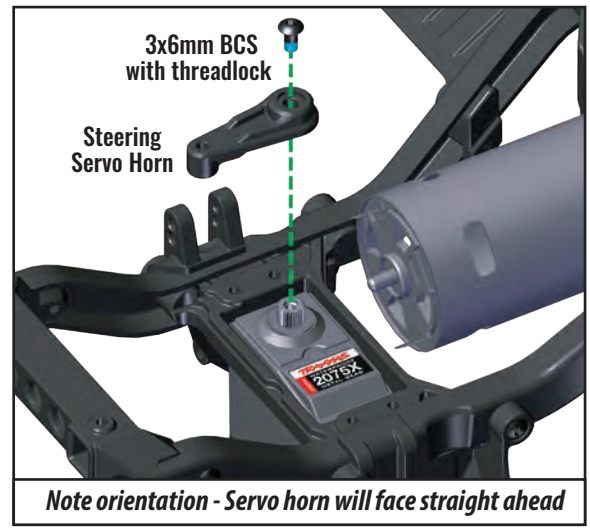
HARDWARE BAG

3x6mm BCS with threadlock

F12. Center the steering servo



F13. Install servo horn on steering servo



ACCESSORY

Completed assembly

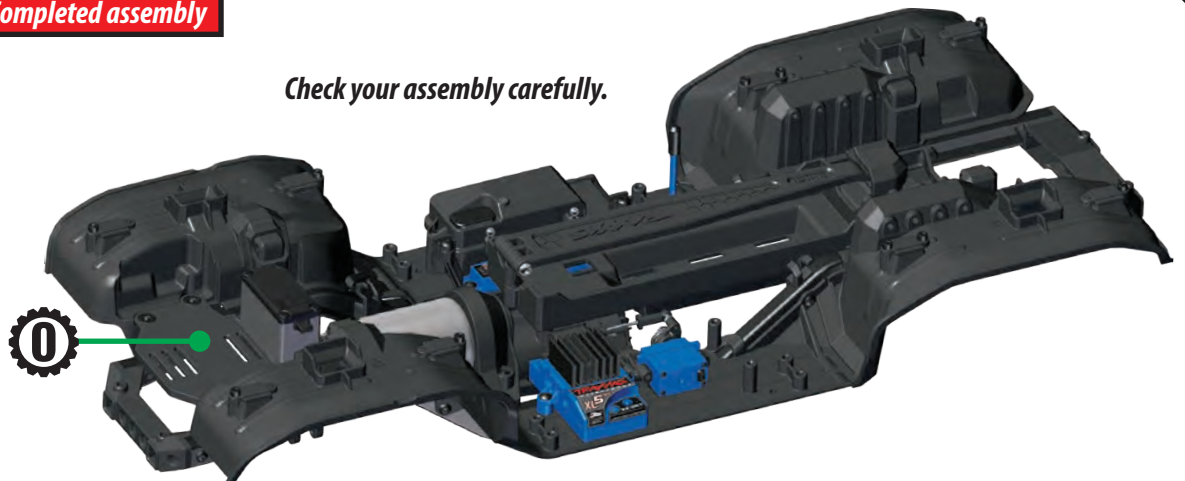
Option Part

The front tray can be used to hold small Traxxas batteries to shift weight over the front axle.

2925X NiMH
2820X 2S LiPo
2823X 3S LiPo

Use hook and loop strap 8222 to secure.

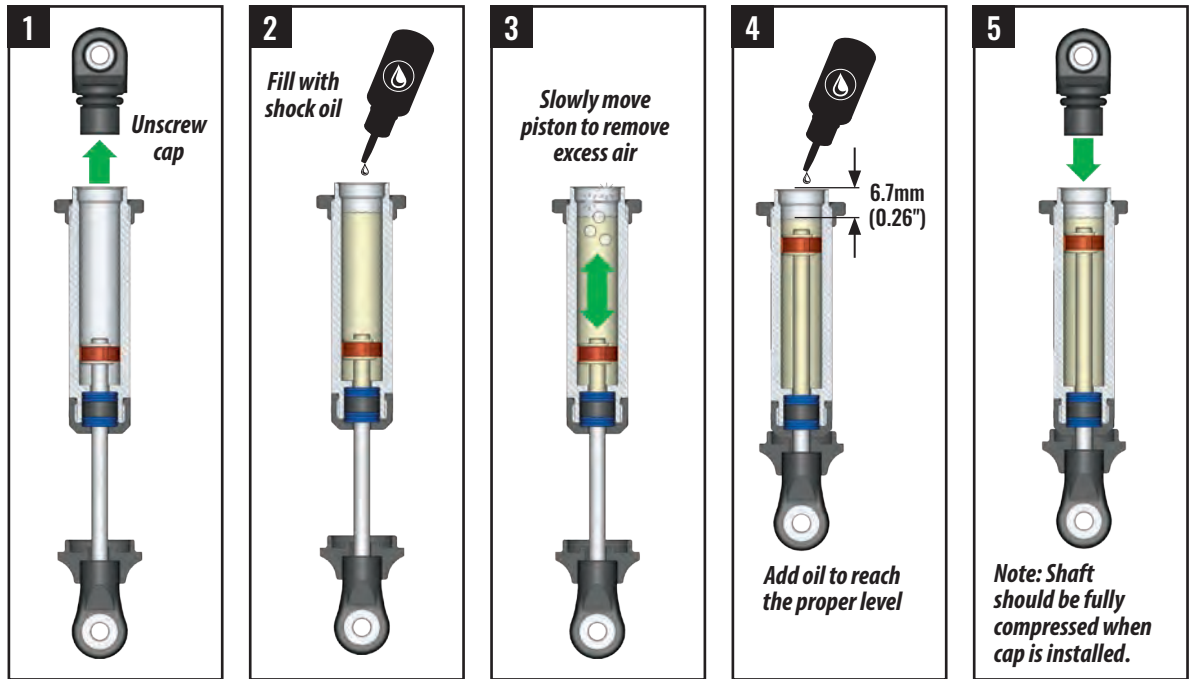
Check your assembly carefully.



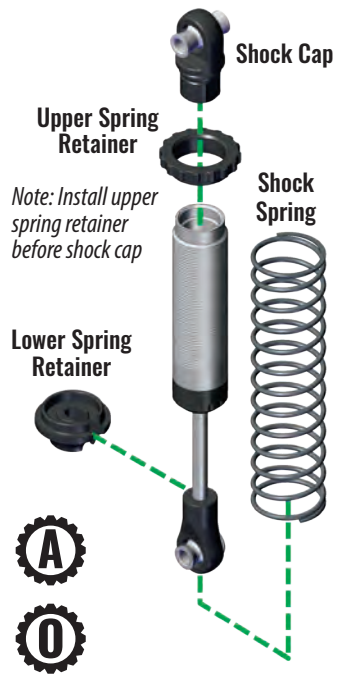
DAMPER BAG

- Shock Assemblies
- Silicone Shock Oil
- Front Shock Springs
- Rear Shock Springs
- Upper Spring Retainers
- Lower Spring Retainers

G1. Assemble GTS shocks

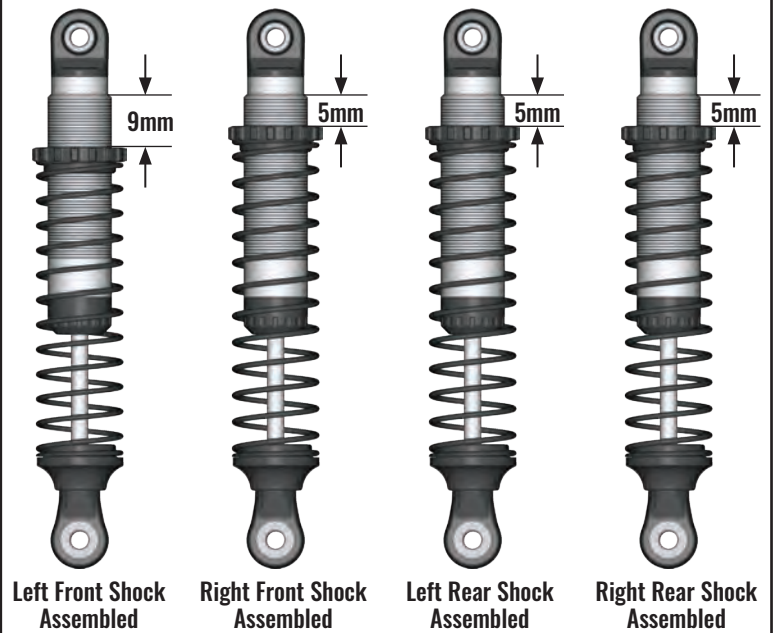


GTS Shock Exploded View



Exercise shock to make sure it compresses fully. If it does not, it is overfilled.

Suggested Spring Preload Settings (May require fine tuning when body installed)



ACCESSORY

- O** Option Part
 - 8140 Long Arm Lift Kit
 - 8140R Long Arm Lift Kit
 - 8140X Long Arm Lift Kit
- O** Option Part
 - 8042 Springs (0.22)
 - 8043 Springs (0.30)
 - 8044 Springs (0.39)
 - 8045 Springs (0.61)
- A** Aluminum Accessory
 - 8260A Shocks (blue-anodized)
 - 8260G Shocks (green-anodized)
 - 8260R Shocks (red-anodized)
 - 8260X Shocks (hard-anodized)

G. SUSPENSION & DRIVELINE INSTALLATION

SUSPENSION LINK BAG

Front Lower Suspension Links

HARDWARE BAG

3x27mm BCS (2)

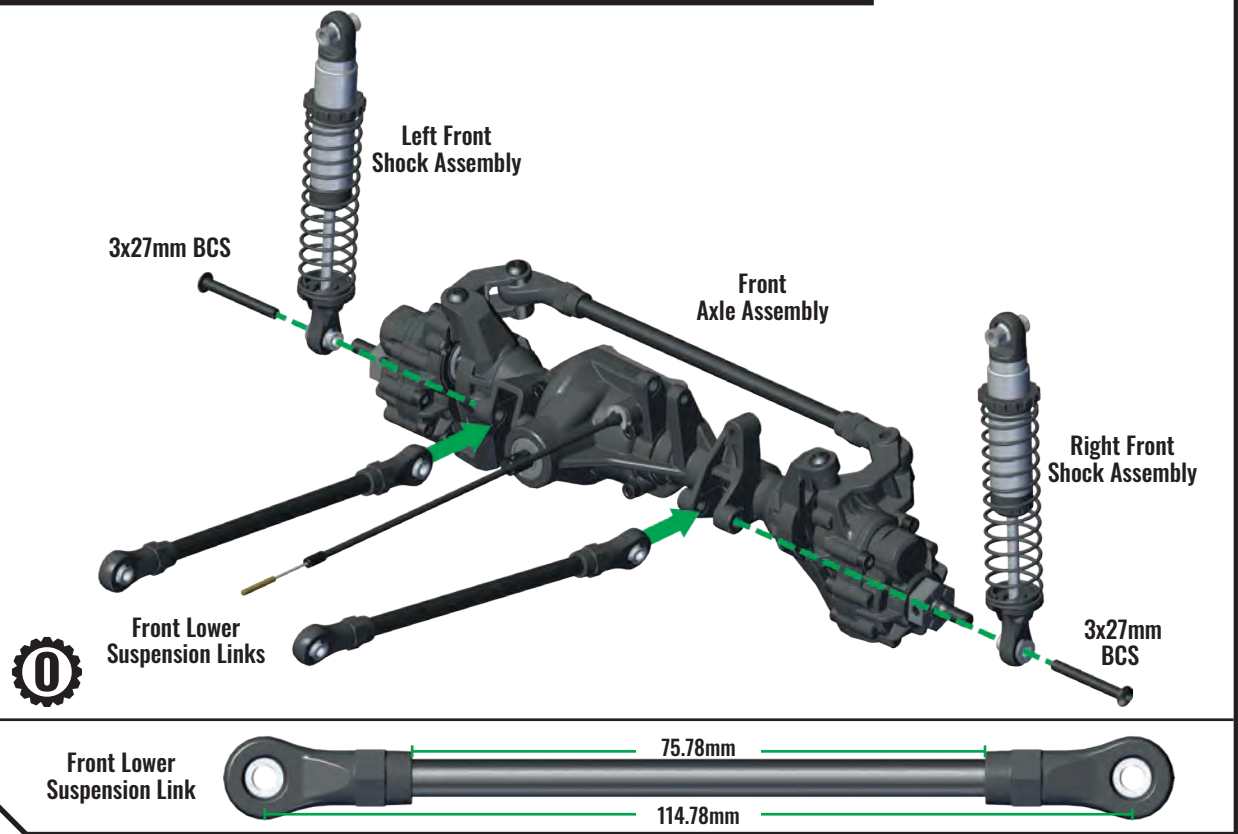


ACCESSORY

- Option Part
8140 Long Arm Lift Kit
8140R Long Arm Lift Kit
8140X Long Arm Lift Kit

- Option Part
8274 Hollow Ball Set

G2. Attach front shocks and front lower suspension links to front axle assembly



SUSPENSION LINK BAG

Steering Link
Front Panhard Bar
Front Upper Suspension Link

HARDWARE BAG

3x15mm BCS (2)

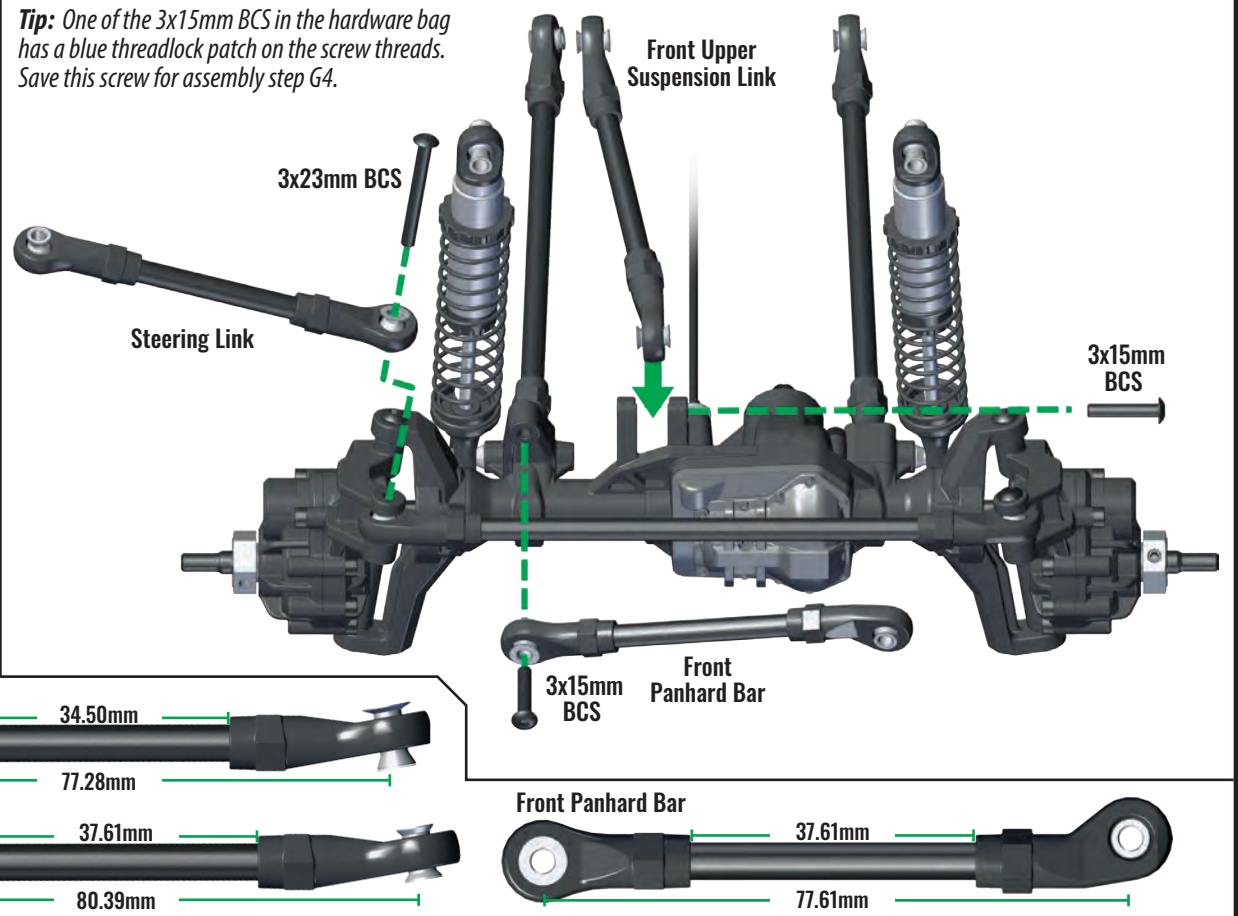


3x23mm BCS



G3. Attach steering link, front panhard bar and front upper suspension link to front axle assembly

Tip: One of the 3x15mm BCS in the hardware bag has a blue threadlock patch on the screw threads. Save this screw for assembly step G4.



G. SUSPENSION & DRIVELINE INSTALLATION

HARDWARE BAG

3x15mm BCS with threadlock (1)



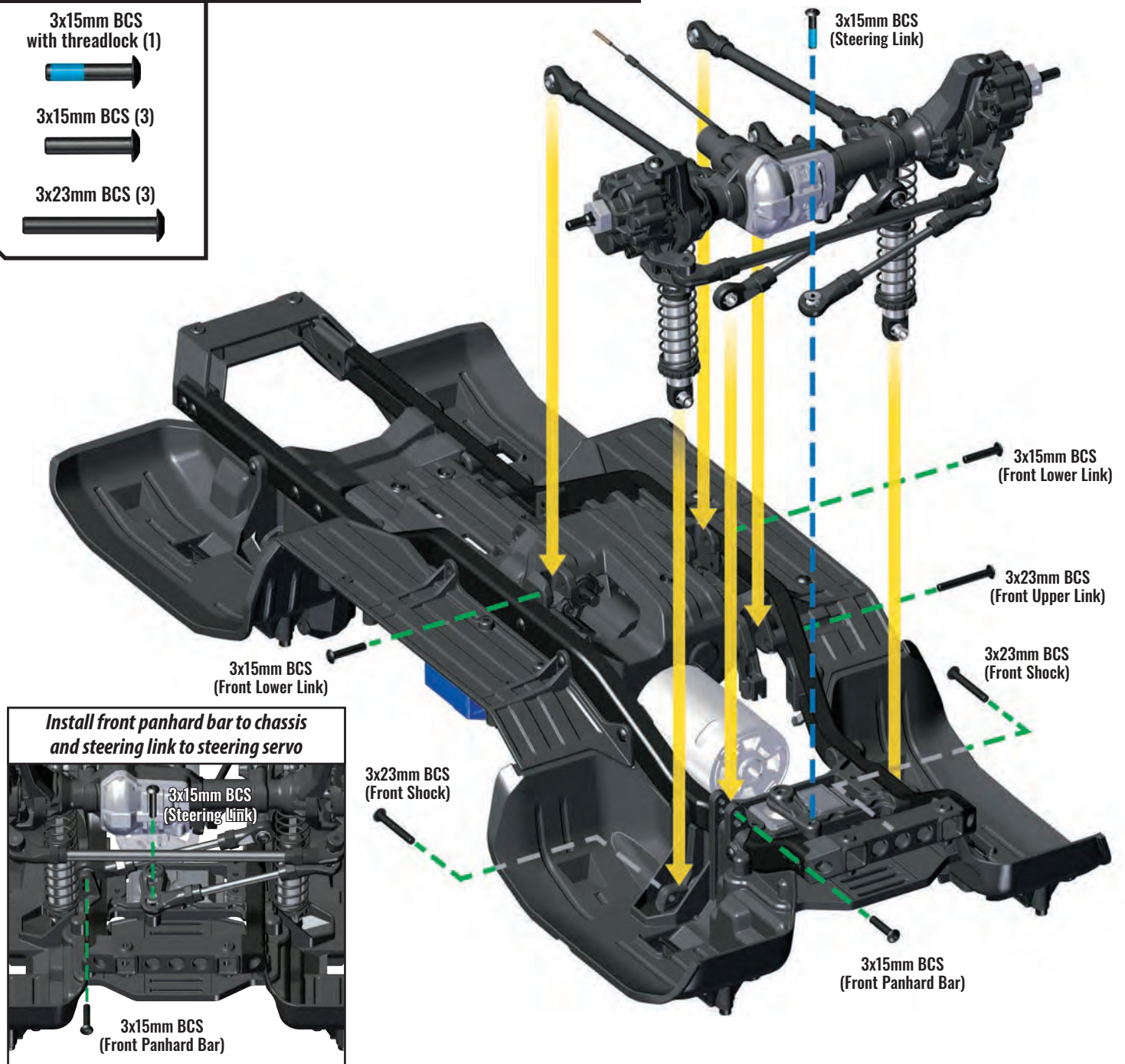
3x15mm BCS (3)



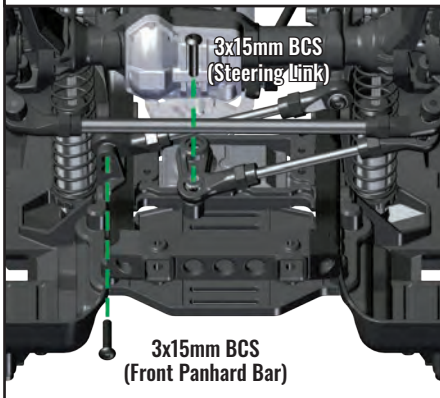
3x23mm BCS (3)



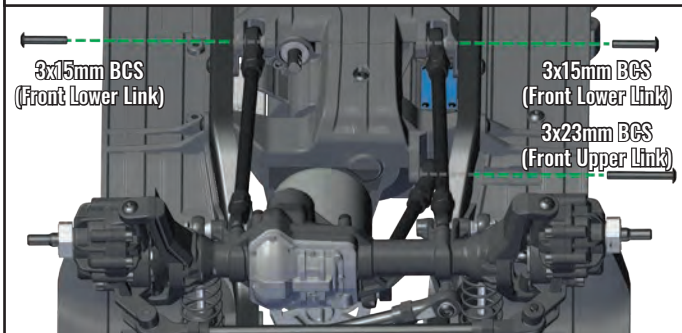
G4. Attach front axle assembly to chassis assembly



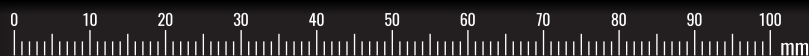
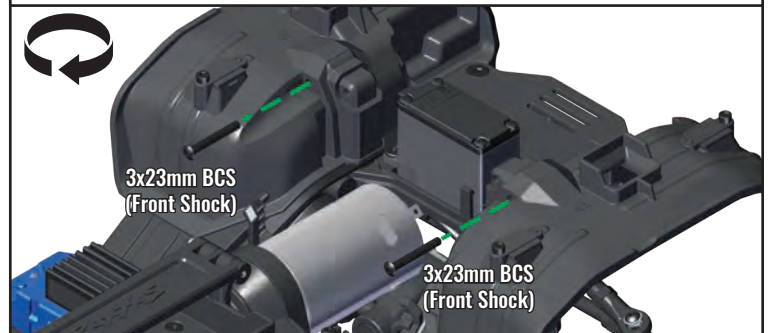
Install front panhard bar to chassis and steering link to steering servo



Install upper and lower suspension links to chassis



Install front shocks to fenders from top of chassis



G. SUSPENSION & DRIVELINE INSTALLATION

SUSPENSION LINK BAG

Rear Upper Suspension Links
Rear Lower Suspension Links

HARDWARE BAG

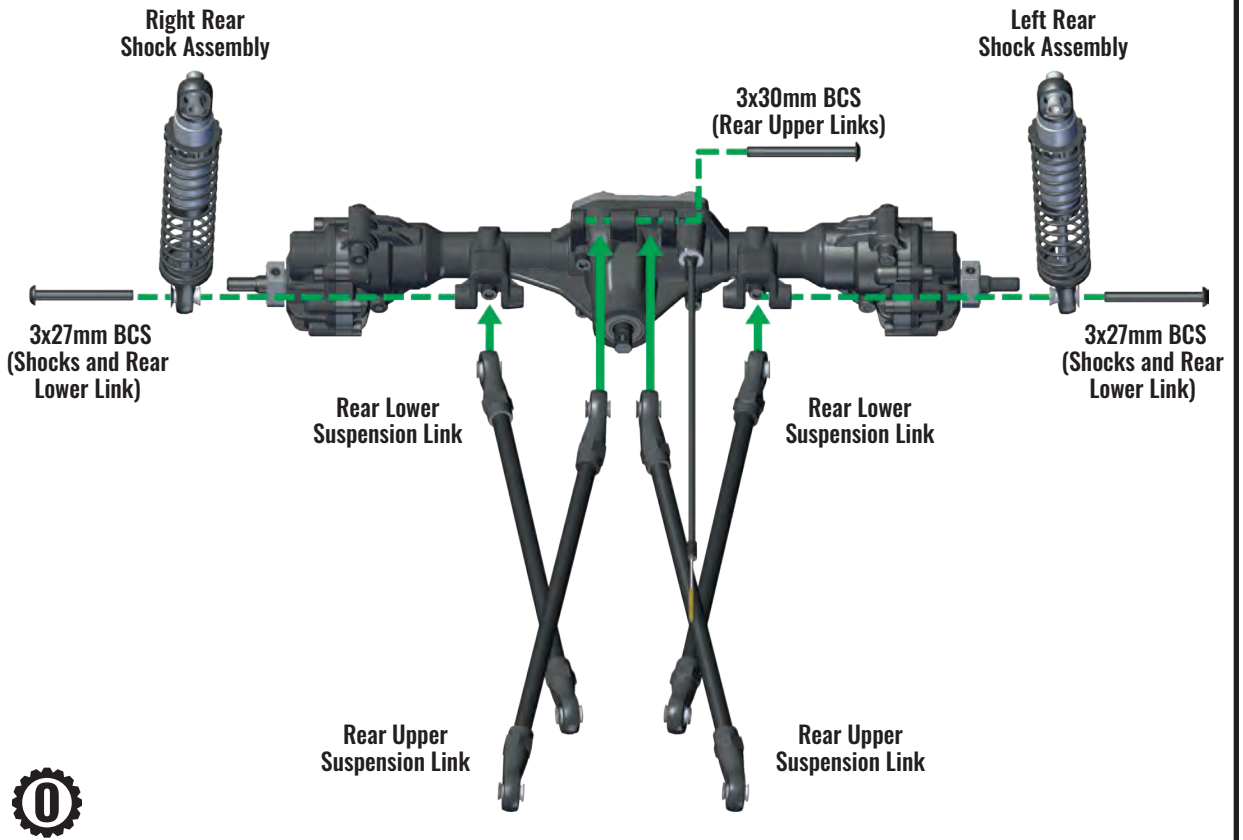
3x27mm BCS (2)




3x30mm BCS



65. Attach rear shocks and rear suspension links to rear axle assembly

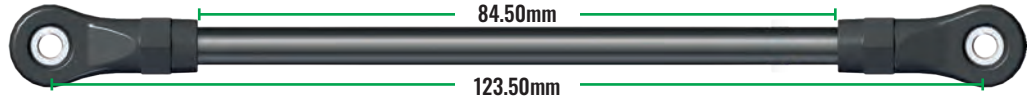


ACCESSORY

-  Option Part
8140 Long Arm Lift Kit
8140R Long Arm Lift Kit
8140X Long Arm Lift Kit

-  Option Part
8274 Hollow Ball Set

Rear Lower Link



Rear Upper Link



G. SUSPENSION & DRIVELINE INSTALLATION

HARDWARE BAG

3x15mm BCS (2)



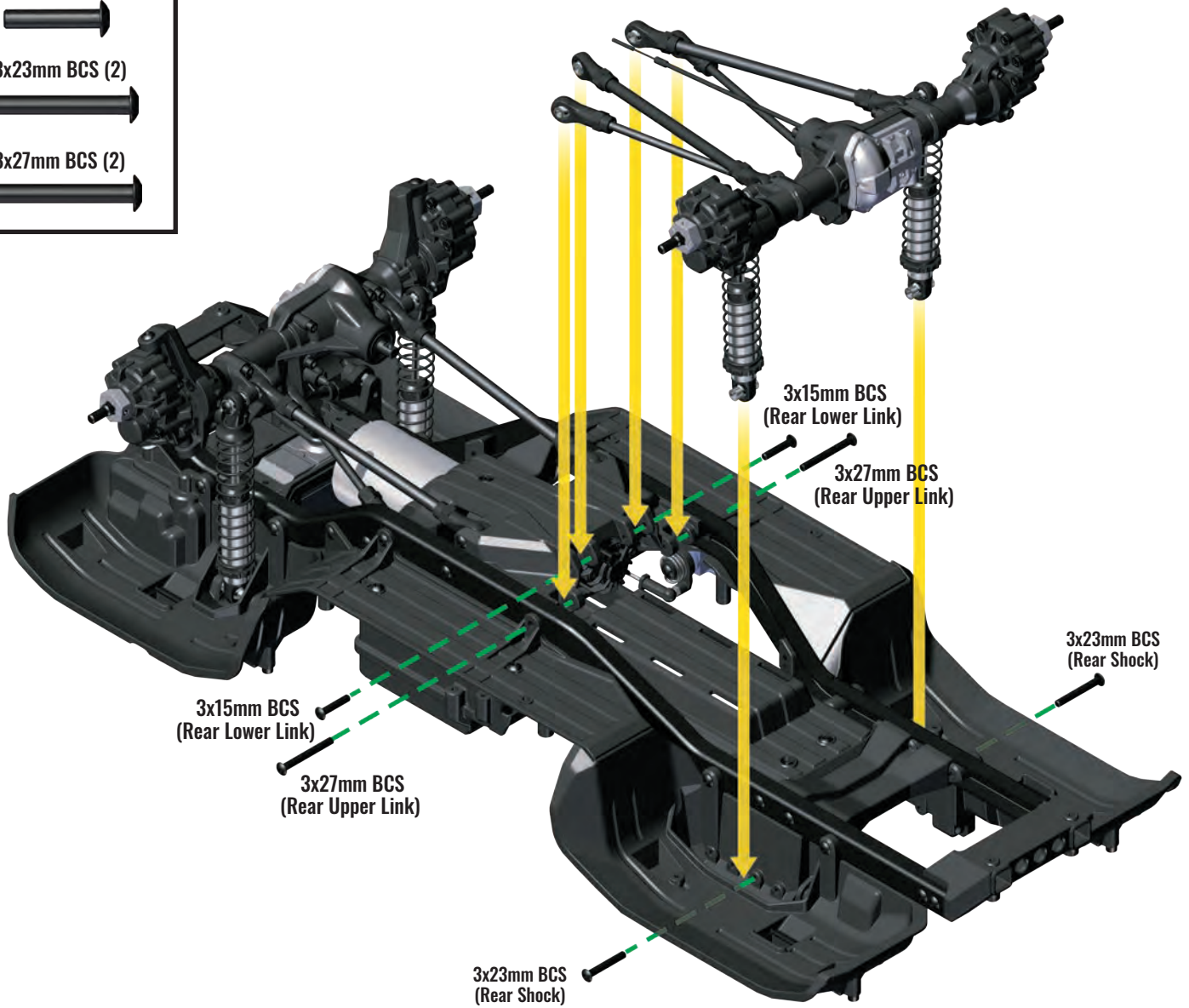
3x23mm BCS (2)



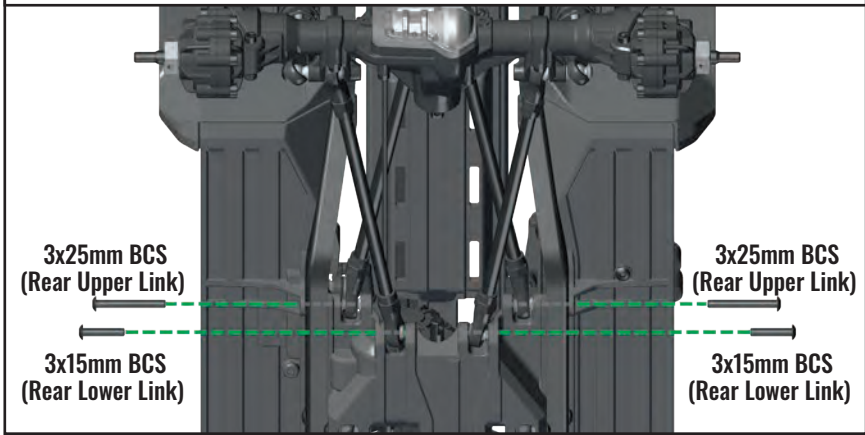
3x27mm BCS (2)



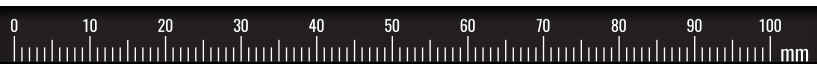
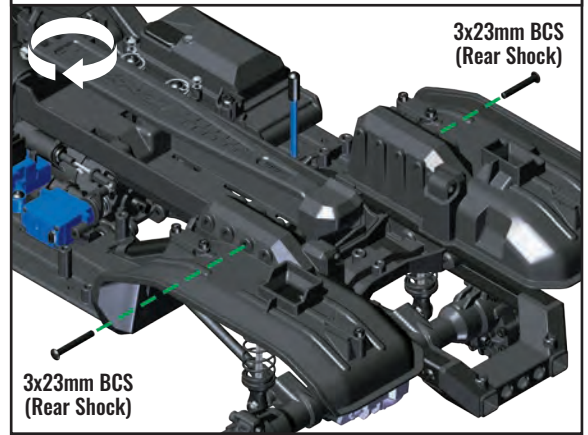
G6. Attach rear axle assembly to chassis assembly



Install upper and lower suspension links to chassis



Install rear shocks to fenders from top of chassis



G. SUSPENSION & DRIVELINE INSTALLATION

SUSPENSION LINK BAG

Axle Ball Cup (2)



HARDWARE BAG

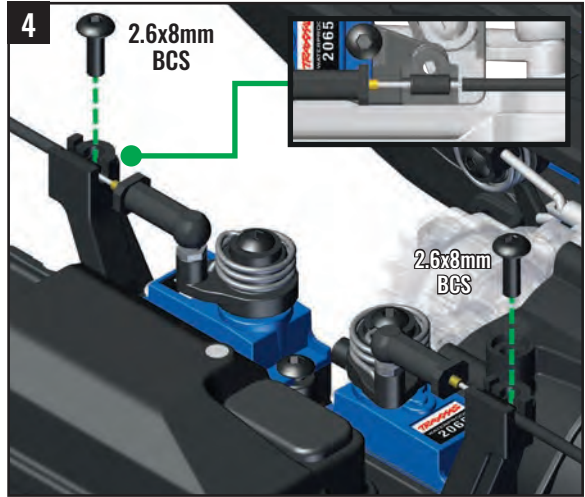
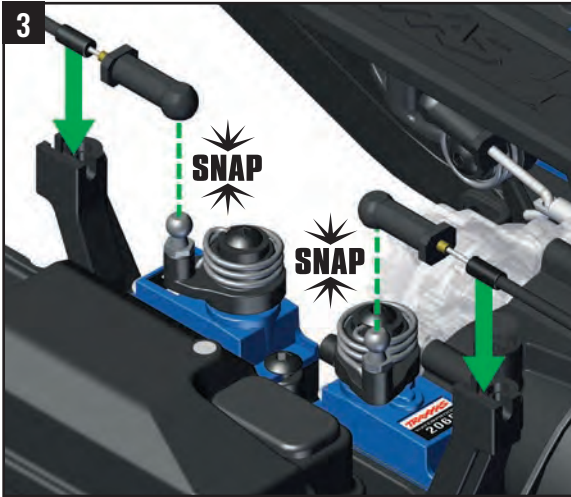
2.6x8mm BCS (2)



It is okay to slightly rock horn to align ball cup.
Do not turn servo shaft by hand or you could damage the servo.



G7. Attach ball cups to differential locking cables



DRIVELINE BAG

CV Cup (4)

CV Ball (4)

Short Female Half Shafts (3)

Long Female Half Shaft

Male Half Shafts (2)

CV Pin Retainer (4)

HARDWARE BAG

3x6mm BCS (4) with threadlock



Driveline CV Cross Pin (4)



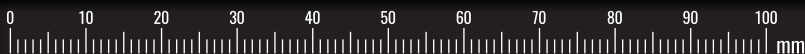
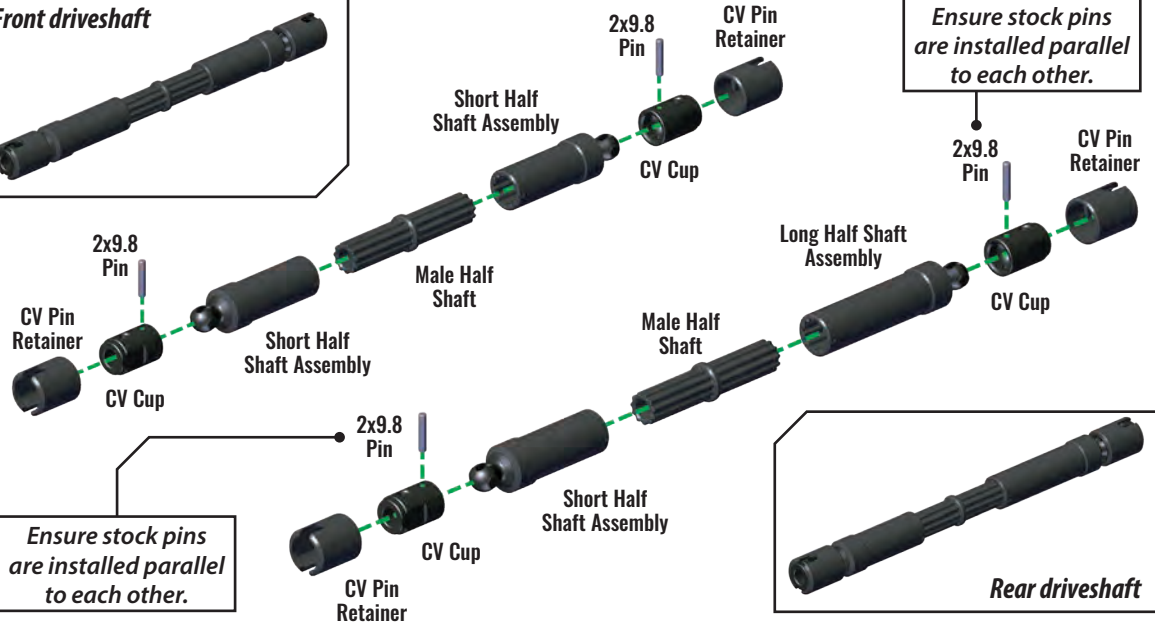
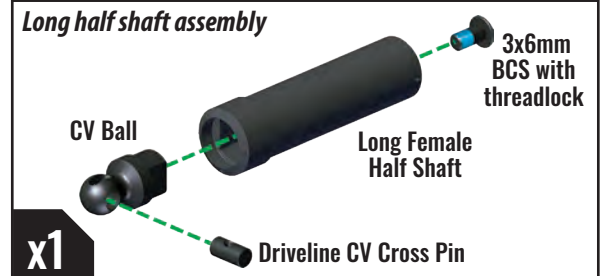
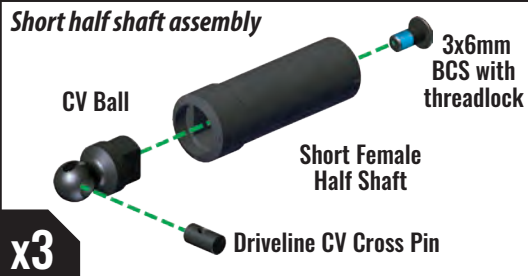
2x9.8 Pin (4)



ACCESSORY

- Option Part
- 8140 Long Arm Lift Kit
- 8140R Long Arm Lift Kit
- 8140X Long Arm Lift Kit

G8. Assemble front and rear driveshafts



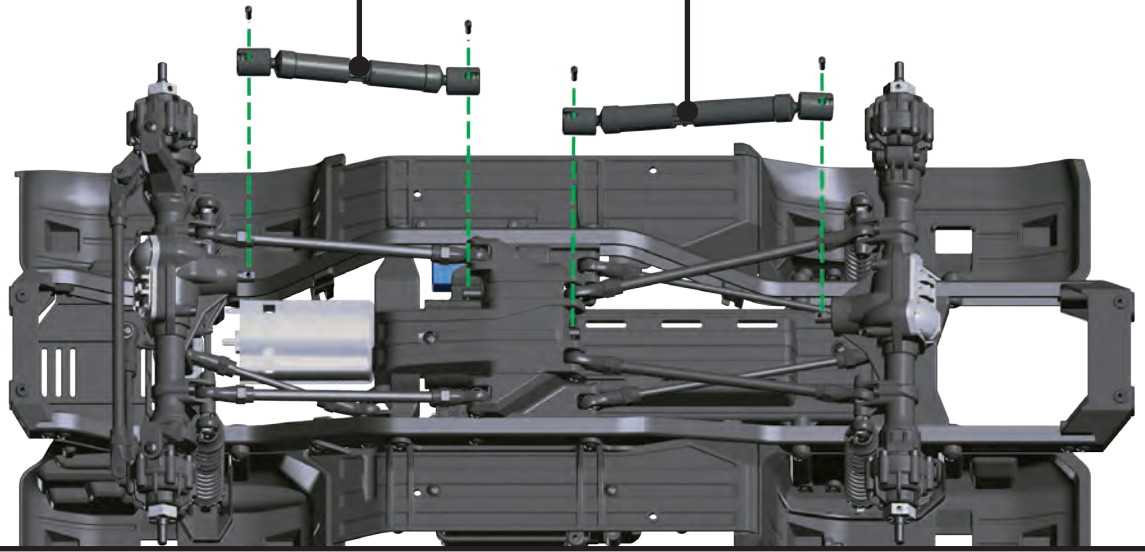
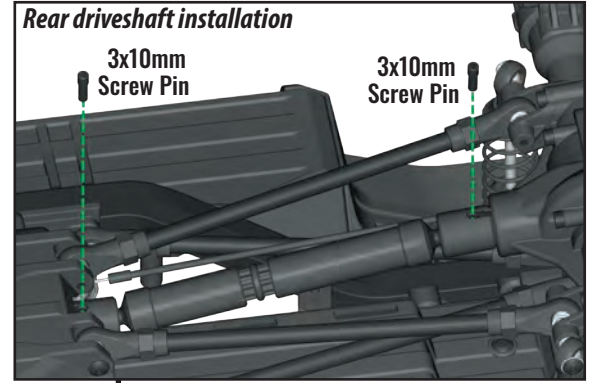
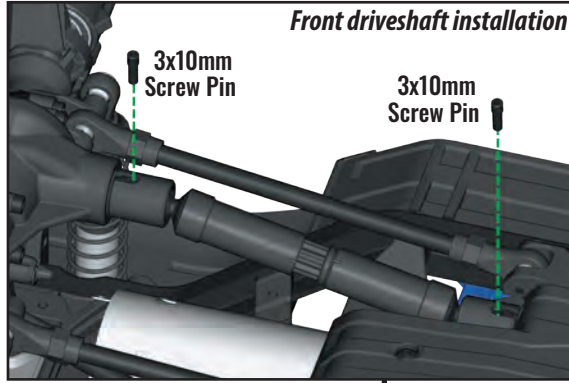
G. SUSPENSION & DRIVELINE INSTALLATION

HARDWARE BAG

3x10mm Screw Pin (4)

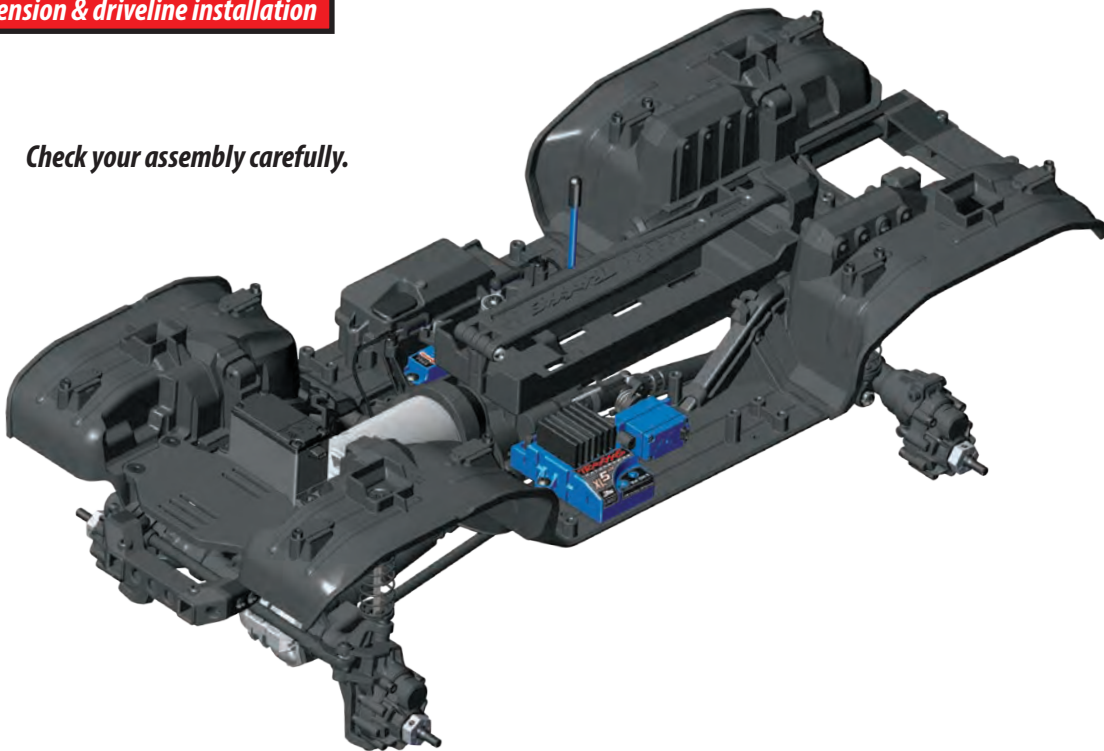


G9. Install front and rear driveshafts



Completed suspension & driveline installation

Check your assembly carefully.



H. FINAL CHASSIS ASSEMBLY

SUSPENSION LINK BAG

H1. Assemble wheels and tires; install on front and rear axles

- Wheels (4)
- Tires with Foam Inserts (4)

Traxxas Ultra Premium Tire Glue
(Part #6468 Sold Separately)

HARDWARE BAG

- M4x0.7 NL (4)



x2



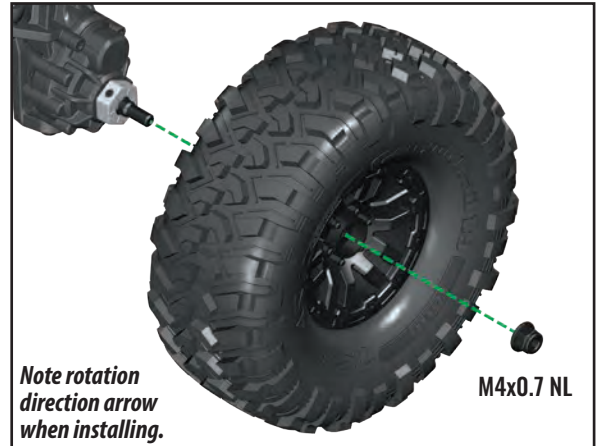
x2



x4



Glue the tires to the wheels. Use your thumb to push the side of the tire away from the wheel. Repeat at four points around the wheel. Turn the wheel over and repeat on the inside of the wheel.



Note rotation direction arrow when installing.

M4x0.7 NL

ACCESSORY



Option Part
Wheel and tire options available. See parts list.

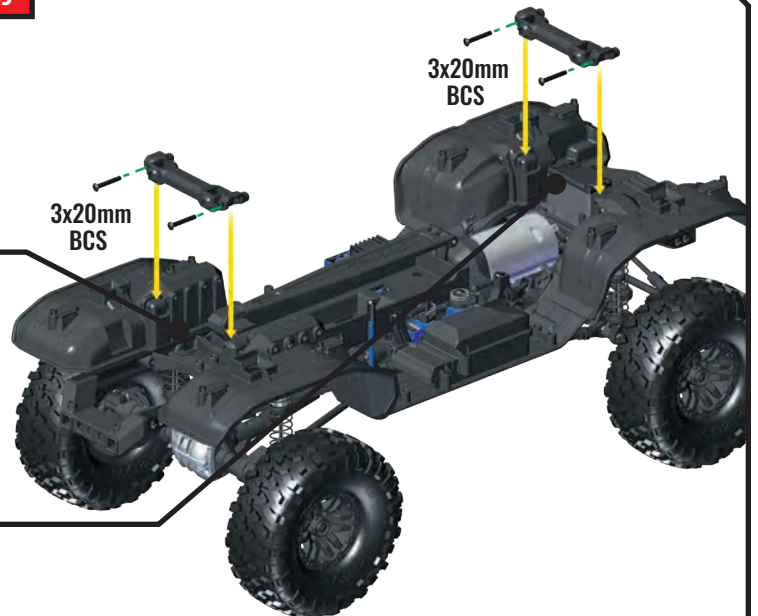
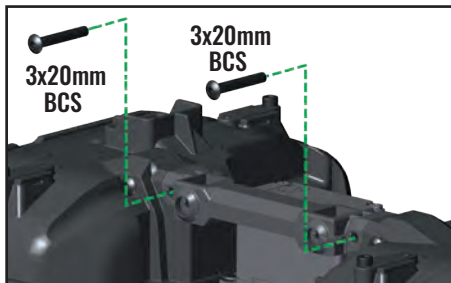
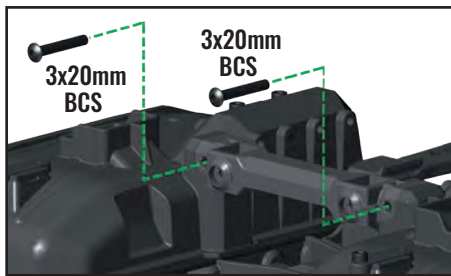
BODY ACCESSORIES BAG

H2. Install body post crossmembers on chassis

- Body Post Crossmember (2)

HARDWARE BAG

- 3x20mm BCS (4)



H. FINAL CHASSIS ASSEMBLY

BODY ACCESSORIES BAG

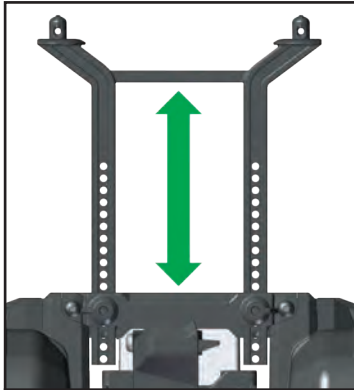
- Front Body Mount (Short)
- Rear Body Mount (Long)

HARDWARE BAG

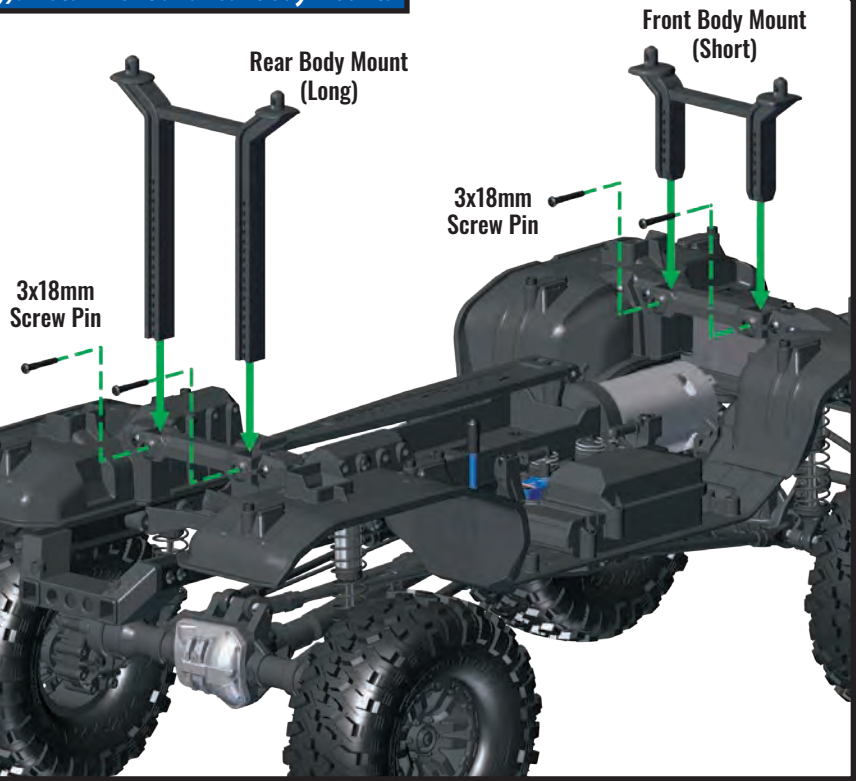
- 3x18mm Screw Pin (4)



OPTIONAL (if not using clipless body). Install front and rear body mounts



Adjust the body mount height as necessary to fit the body you choose for your new TRX-4.
(Wheel wells may need to be trimmed for body to fit.)



BODY ACCESSORIES BAG

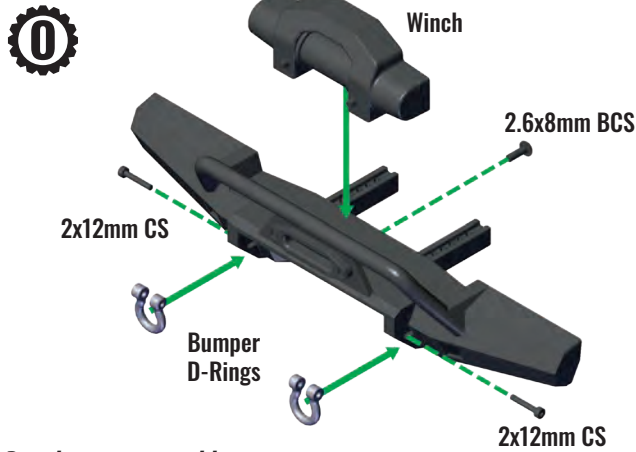
- Front Bumper
- Rear Bumper
- Winch
- Bumper D-ring (4)

HARDWARE BAG

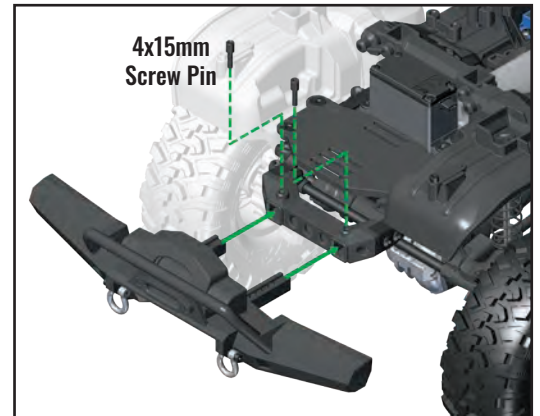
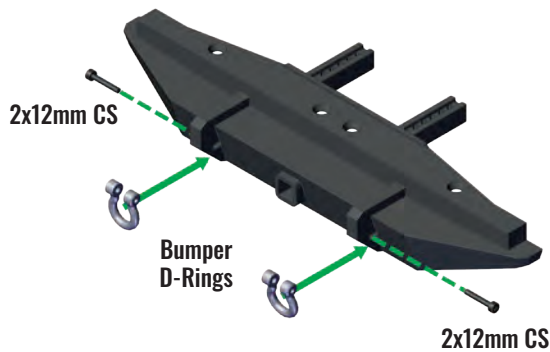
- 2x12mm CS (4)
- 2.6x8mm BCS
- 4x15mm Yoke Pin (4)

H3. Assemble and install front and rear bumpers

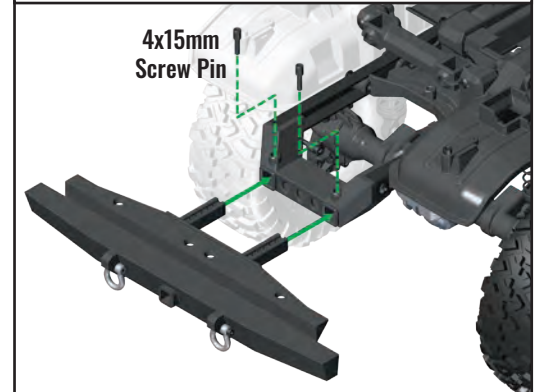
Front bumper assembly



Rear bumper assembly



Adjust the bumper length as necessary to fit the body you choose for your new TRX-4.



ACCESSORY

- O** Option Part
Bumper options available. See parts list.



H. FINAL CHASSIS ASSEMBLY

BODY ACCESSORIES BAG

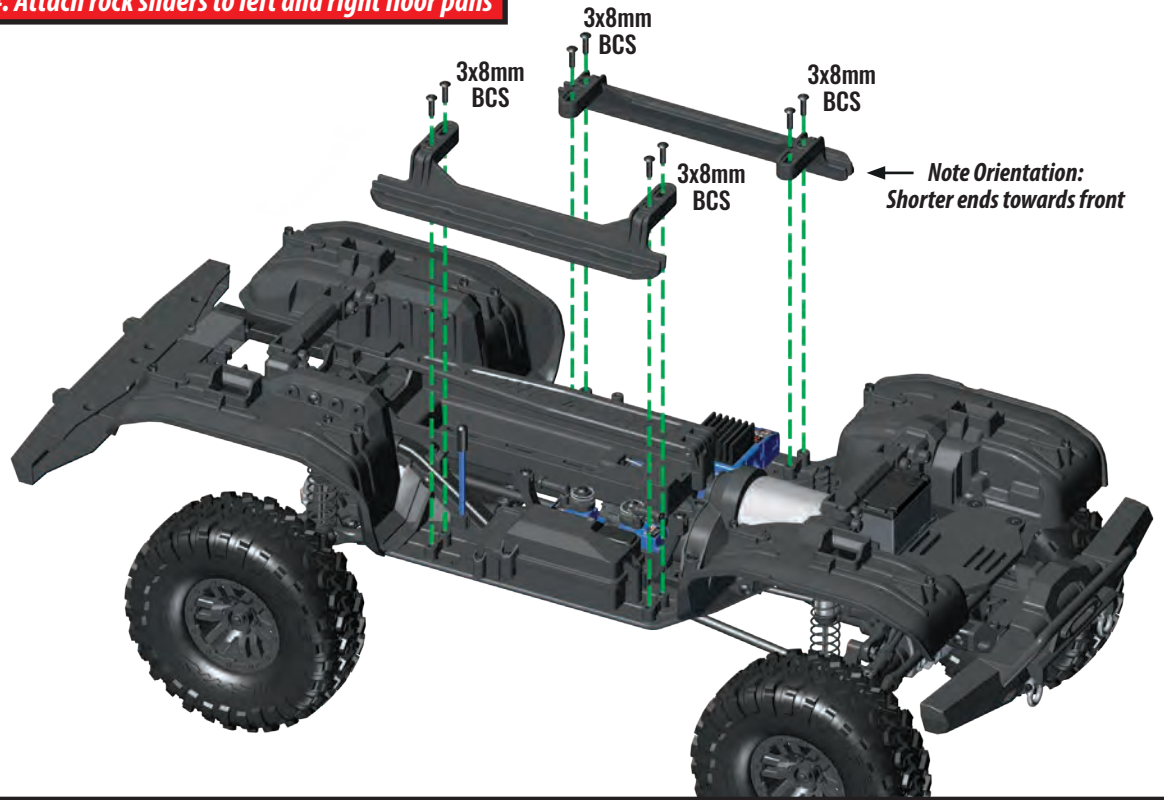
Rock Sliders (2)

HARDWARE BAG

3x8mm BCS (8)



H4. Attach rock sliders to left and right floor pans



Kit assembly complete





FIRE HAZARD! Your model is able to use LiPo batteries. Charging and discharging batteries has the potential for fire, explosion, serious injury, and property damage if not performed per the instructions. Before use, read and follow all manufacturer's instructions, warnings, and precautions. In addition, Lithium Polymer (LiPo) batteries pose a SEVERE risk of fire if not properly handled per the instructions and require special care and handling procedures for long life and safe operation. LiPo batteries are intended only for advanced users that are educated on the risks associated with LiPo battery use. Traxxas does not recommend that anyone under the age of 18 use or handle LiPo battery packs without the supervision of a knowledgeable and responsible adult. Dispose of used batteries according to the instructions.

Important Warnings for users of Lithium Polymer (LiPo) batteries:

- Your model is able to use LiPo batteries. LiPo batteries have a minimum safe discharge voltage threshold that should not be exceeded. The electronic speed control is equipped with built-in Low-Voltage Detection that alerts the driver when LiPo batteries have reached their minimum voltage (discharge) threshold. It is the driver's responsibility to stop immediately to prevent the battery pack from being discharged below its safe minimum threshold.
- Low-Voltage Detection is just one part of a comprehensive plan for safe LiPo battery use. It is critical to follow all instructions for safe and proper charging, use, and storage of LiPo batteries. Make sure you understand how to use your LiPo batteries. If you have questions about LiPo battery usage, please consult with your local hobby dealer or contact the battery manufacturer. As a reminder, all batteries should be recycled at the end of their useful life.
- ONLY use a Traxxas iD charger to charge Traxxas iD batteries. ONLY use a Lithium Polymer (LiPo) balance charger with a balance adapter port to charge LiPo batteries. Never use NiMH or NiCad-type chargers or charge modes to charge LiPo batteries. DO NOT charge LiPo batteries with a NiMH-only charger. The use of a NiMH or NiCad charger or charge mode will damage LiPo batteries and may cause fire, personal injury, and/or property damage.
- NEVER charge LiPo battery packs in series or parallel. Charging packs in series or parallel may result in improper charger cell recognition and an improper charging rate that may lead to overcharging, cell imbalance, cell damage, and fire.
- ALWAYS inspect your LiPo batteries carefully before charging. Look for any loose leads or connectors, damaged wire insulation, damaged cell packaging, impact damage, fluid leaks, swelling (a sign of internal damage), cell deformity, missing labels, or any other damage or irregularity. If any of these conditions are observed, do not charge or use the battery pack. Follow the disposal instructions included with your battery to properly and safely dispose of the battery.
- DO NOT store or charge LiPo batteries with or around other batteries or battery packs of any type, including other LiPos.
- Store and transport your battery pack(s) in a cool dry place. DO NOT store in direct sunlight. DO NOT allow the storage temperature to exceed 140°F or 60°C, such as in the trunk of a car, or the cells may be damaged and create a fire risk.
- DO NOT disassemble LiPo batteries or cells.
- DO NOT attempt to build your own LiPo battery pack from loose cells.

Charging and handling precautions for all battery types:

- BEFORE you charge, ALWAYS confirm that the charger settings exactly match the type (chemistry), specification, and

WARNING! CAUTION! DANGER!



configuration of the battery to be charged. DO NOT exceed the maximum manufacturer recommended charge rate.

- DO NOT attempt to charge non-rechargeable batteries (explosion hazard), batteries that have an internal charge circuit or a protection circuit, batteries that have been altered from original manufacturer configuration, or batteries that have missing or unreadable labels, preventing you from properly identifying the battery type and specifications. ALWAYS use a Traxxas iD charger to charge Traxxas iD batteries. DO NOT use a non-Traxxas charger to charge Traxxas iD batteries. It is not recommended, but if you choose to use a non-Traxxas charger or battery, read and follow all of the manufacturer's warnings and instructions.
- DO NOT let any exposed battery contacts or wires touch each other. This will cause the battery to short circuit and create the risk of fire.
- While charging or discharging, ALWAYS place the battery (all types of batteries) in a fire retardant/fire proof container and on a non-flammable surface such as concrete.
- DO NOT charge batteries inside of an automobile. DO NOT charge batteries while driving in an automobile.
- NEVER charge batteries on wood, cloth, carpet, or on any other flammable material.
- ALWAYS charge batteries in a well-ventilated area.
- REMOVE flammable items and combustible materials from the charging area.
- DO NOT leave the charger and battery unattended while charging, discharging, or anytime the charger is ON with a battery connected. If there are any signs of a malfunction or in the event of an emergency, unplug the charger from the power source and disconnect the battery from the charger.
- DO NOT operate the charger in a cluttered space, or place objects on top of the charger or battery.
- If any battery or battery cell is damaged in any way, DO NOT charge, discharge, or use the battery.
- Keep a Class D fire extinguisher nearby in case of fire.
- DO NOT disassemble, crush, short circuit, or expose the batteries to flame or other source of ignition. Toxic materials could be released. If eye or skin contact occurs, flush with water.
- If a battery gets hot to the touch during the charging process (temperature greater than 110°F / 43°C), immediately disconnect the battery from the charger and discontinue charging.
- Allow the battery pack to cool off between runs (before charging).
- ALWAYS unplug the charger and disconnect the battery when not in use.
- ALWAYS unplug the battery from the electronic speed control when the model is not in use and when it is being stored or transported.
- DO NOT disassemble the charger.
- REMOVE the battery from your model or device before charging.
- DO NOT expose the charger to water or moisture.
- ALWAYS store battery packs safely out of the reach of children or pets. Children should always have adult supervision when charging and handling batteries.
- Nickel-Metal Hydride (NiMH) batteries must be recycled or disposed of properly.
- Always proceed with caution and use good common sense at all times.

All of us at Traxxas want you to safely enjoy your new model. Operate your model sensibly and with care, and it will be exciting, safe, and fun for you and those around you. Failure to operate your model in a safe and responsible manner may result in property damage and serious injury. The precautions outlined in this manual should be strictly followed to help ensure safe operation. You alone must see that the instructions are followed and the precautions are adhered to.

Important Points to Remember

- Your model is not intended for use on public roads or congested areas where its operation can conflict with or disrupt pedestrian or vehicular traffic.
- Never, under any circumstances, operate the model in crowds of people. Your model is very fast and could cause injury if allowed to collide with anyone.
- Because your model is controlled by radio, it is subject to radio interference from many sources that are beyond your control. Since radio interference can cause momentary losses of radio control, always allow a safety margin in all directions around the model in order to prevent collisions.
- The motor, battery, and speed control can become hot during use. Be careful to avoid getting burned.
- Don't operate your model at night, or anytime your line of sight to the model may be obstructed or impaired in any way.

Speed Control

Your model's electronic speed control (ESC) is an extremely powerful electronic device capable of delivering high current. Please closely follow these precautions to prevent damage to the speed control or other components.

- **Disconnect the Battery:** Always disconnect the battery or batteries from the speed control when not in use.
- **Insulate the Wires:** Always insulate exposed wiring with heat shrink tubing to prevent short circuits.

- **Transmitter on First:** Switch on your transmitter first before switching on the speed control to prevent runaways and erratic performance.
- **Don't Get Burned:** The ESC and motor can become extremely hot during use, so be careful not to touch them until they cool. Supply adequate airflow for cooling.
- **Use the Factory-Installed Connectors:** Do not change the battery and motor connectors. Improper wiring can cause fire or damage to the ESC. Please note that modified speed controls can be subject to a rewiring fee when returned for service.
- **No Reverse Voltage:** The ESC is not protected against reverse polarity voltage.
- **No Schottky Diodes:** External Schottky diodes are not compatible with reversing speed controls. Using a Schottky diode with your Traxxas speed control will damage the ESC and void the 30-day warranty.
- **Always** adhere to the minimum and maximum limitations of the speed control as stated in the specifications table in the Owner's Manual. If your ESC operates on two batteries, do not mix battery types and capacities. Use the same voltage and capacity for both batteries. Using mismatched battery packs could damage the batteries and electronic speed control.

Recycling Traxxas Power Cell NiMH Batteries

Traxxas strongly encourages you to recycle Power Cell NiMH batteries when they reach the end of their useful life. Do not throw batteries in the trash. All Power Cell NiMH battery packs display the RBRC (Rechargeable Battery Recycling Corporation) icon, indicating they are recyclable. To find a recycling center near you, ask your local hobby dealer or visit www.call2recycle.org.

QUICK START GUIDE

The following guide is an overview of the procedures for getting your model running. The complete manual for your model can be viewed and downloaded by following the link on the cover of this manual or by scanning the QR code. Please read this entire manual for complete instructions on the proper use and maintenance of your model.

Read the Safety Precautions

For your own safety, understand where carelessness and misuse could lead to personal injury and product damage.

Prepare Your Model

Selecting a charger and batteries for your model

Your model does not include a battery or charger. The speed control in the model is compatible with both LiPo and NiMH batteries. One NiMH or 2s LiPo battery equipped with a Traxxas High-Current Connector is required. Traxxas Power Cell iD batteries are strongly recommended for maximum performance and safer charging. The following chart lists all the available Power Cell batteries for your model:

LiPo Batteries with iD

2849X	4000mAh 11.1V 3-Cell 25C LiPo Battery
2872X	5000mAh 11.1V 3-Cell 25C LiPo Battery
2843X	5800mAh 7.4V 2-Cell 25C LiPo Battery
2869X	7600mAh 7.4V 2-Cell 25C LiPo Battery

NiMH Batteries with iD

2923X	Battery, Power Cell, 3000mAh (NiMH, 7-C flat, 8.4V)
2940X	Battery, Series 3 Power Cell, 3300mAh (NiMH, 7-C flat, 8.4V)
2950X	Battery, Series 4 Power Cell, 4200mAh (NiMH, 7-C flat, 8.4V)
2960X	Battery, Series 5 Power Cell, 5000mAh (NiMH, 7-C flat, 8.4V)



WARNING: FIRE HAZARD!

Users of Lithium Polymer (LiPo) batteries must read the Warnings and Precautions beginning on page 2. You MUST use a LiPo balance charger for LiPo batteries or battery damage with the potential for fire will result.

Make certain you choose the correct type of charger for the batteries you select. Traxxas recommends you choose a genuine Traxxas EZ-Peak iD charger for safer charging and maximum battery life and performance.

Charger	Part No.	NiMH Compatible	LiPo Compatible	Battery iD	Max. Cells
EZ-Peak Plus, 4 amps	2970	YES	YES	YES	3s
EZ-Peak Live, 12 amps	2971	YES	YES	YES	4s
EZ-Peak Dual, 8 amps	2972	YES	YES	YES	3s
EZ-Peak Live Dual, 26 amps	2973	YES	YES	YES	4s
EZ-Peak Plus 4s, 8 amps	2981	YES	YES	YES	4s

Install batteries in the transmitter

The transmitter requires 4 AA alkaline or rechargeable batteries.



Install battery packs in the model

Install the battery pack with the battery wires facing the rear of the model. Swing the battery hold down towards the chassis and snap (lock) the end into the front hold-down retainer.

Note: The battery hold down can be rotated on its pivot to accommodate different height battery packs.

Compatible batteries:

- 6- and 7-cell NiMH
- 2- and 3-cell LiPo



ATTENTION: USERS OF NiMH BATTERIES

Your model comes from the factory with Low-Voltage Detection activated. Low-Voltage Detection is only for use with LiPo batteries. To disable Low-Voltage Detection, refer to the EZ-Set Tips card attached to your model, or see the "Electronic Speed Control Adjustments" section of this guide.

Turning on Your Model

Turn on the transmitter

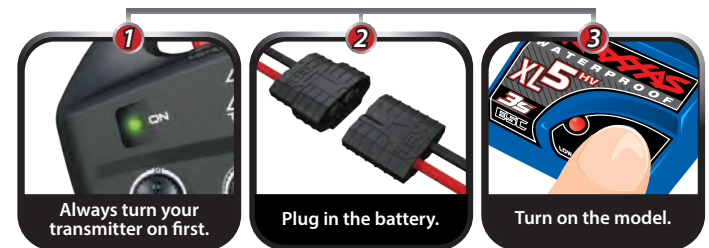
Always turn the transmitter on first, before turning on the model. The transmitter's LED will glow.

Plug the battery into the speed control

Align the + and - markings. Make certain the battery plug is completely inserted.

Turn on the model

Press and release the EZ-Set button on the speed control. Do not hold the button down. The speed control's LED will glow.



Before Operating Your Model

Check servo operation

Confirm the model's wheels turn right and left when the transmitter steering wheel is turned right and left. The front wheels should be pointing straight ahead. If they are turned slightly, slowly adjust the steering trim control on the transmitter until they are pointing straight ahead.

Range test the radio system

With a friend's help, check servo operation at the farthest distance you plan to drive the model and confirm that there is no radio interference.

Operating Your Model



Note: Return the transmitter's trigger to neutral and push up again to activate reverse throttle unless the ESC is in Crawl Mode (see the "Selecting a Throttle Mode" section for additional information).

! If the model becomes stuck against an object, do not continue to run the motor. Remove the obstruction before continuing. Do not push or pull objects with the model.

Shifting the High-Low Transmission

TRX-4's High-Low Transmission is operated via the red rocker switch on the transmitter grip.



Depress the lower part of the switch to engage High (for greater speed).



Depress the upper part of the switch to engage Low (for greater climbing torque).

Shifting from low gear into high gear can be performed at any speed. For smoother operation, reduce the speed of the model before shifting from high gear into low gear.

Operating the T-Lock Differentials

The switch on top of the transmitter operates the front and rear differential locking mechanism. The differentials can be locked or unlocked at any time during most driving conditions. If the model is stuck and there is wheelspin on a single wheel (one side of an unlocked differential is freewheeling), then release the throttle and allow the wheels to stop before locking the differential. Apply throttle slowly until the differentials fully engage or disengage.



Switch rearward = both differentials unlocked. Best handling and steering performance (smaller turning radius). This is the best setting for most of your driving.



Switch centered = front differential locked. Enhanced climbing ability and traction as both front tires work to pull the vehicle forward. This is helpful for steep inclines. Turning radius will be decreased. Reduced steering performance.



Switch forward = both differentials locked. Maximum climbing ability and traction. Reduced steering performance. On surfaces with good traction, it is normal for the truck to appear to alternately bind and slip the tires when attempting tight turns with the differentials fully locked.

Locked differentials can be used at any time, but unlocking the differentials greatly improves vehicle handling during high-speed driving.

Transmitter Adjustments

Steering Trim

Turn the steering trim knob to precisely set the steering neutral point. To adjust, drive the vehicle forward slowly while "steering" with the trim knob until the vehicle travels in a straight line with no steering input.



Cruise Control

The TRX-4 is equipped with cruise control, which maintains vehicle speed for more comfortable long-distance travel (such as hiking on trails). To operate the cruise control, accelerate to your desired speed and press the SET button on the transmitter to lock the speed in. Your model will continue at the set speed until you apply the brakes. You can fine tune the speed to exactly match your pace by adjusting the multi-function knob on the transmitter. Turn the knob clockwise to increase speed, counterclockwise to reduce speed. You can accelerate and drive faster with the cruise control set, and the vehicle will resume the set speed when the throttle is released (Resume function).



The TQi transmitter has additional tuning features that can be accessed by the MENU and SET buttons. For details, download the complete manual by following the link on the cover of this manual, or by scanning the QR code.

Electronic Speed Control Adjustments

! ATTENTION: USING LiPo BATTERIES

When you turn your model on, the speed control's status LED is green, indicating that Low-Voltage Detection is activated to prevent over-discharging of LiPo batteries. LiPo batteries are intended only for the most advanced users that are educated on the risks associated with LiPo battery use.

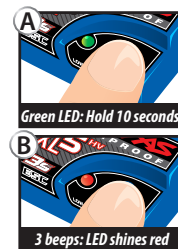


WARNING: FIRE HAZARD!

Do not use LiPo batteries in this vehicle with Low-Voltage Detection disabled.

For NiMH battery users, follow these steps to disable Low-Voltage Detection:

1. Turn the model on. Make sure the LED on the speed control is on and green.
2. Press and hold the EZ-Set button for ten seconds. The LED will turn off and then light red, and the motor will beep three times. Release the button.
3. Low-Voltage Detection is now DISABLED.



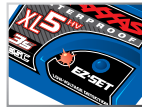
Selecting a Throttle Mode:

SPORT, RACE, TRAINING, TRAIL, OR CRAWL

1. Connect fully charged batteries to the model and turn on your transmitter.
2. With the model off, press and hold the EZ-Set button until the LED turns solid green, then solid red, and then begins blinking red. It will blink once, then twice, then three times, then repeat.
One blink = Sport Mode is the default setting. It allows full forward and reverse throttle.
Two blinks = Race Mode removes reverse throttle in case your track does not allow it.
Three blinks = Training Mode will slow the model down by 50% for young or inexperienced drivers.
Four blinks = Trail Mode is similar to Sport Mode, but with added drag brake when the throttle trigger is at neutral. This is the default setting for the TRX-4 and provides a good balance of smooth driving and additional drag brake for descending hills.
Five blinks = Crawl Mode allows 100% brake (hill hold) with immediate reverse when the throttle is at neutral. This setting is best suited for technical courses where very precise movements are required.
3. Release the EZ-Set button after the number of blinks for the mode you wish to select. **Note:** If you missed the mode you wanted, keep the EZ-Set button pressed down and the blink cycle will repeat.
4. The LED will blink and then turn solid green (Low-Voltage Detection ACTIVE) or red (Low-Voltage Detection DISABLED). The model is now ready to drive in the mode you have selected.

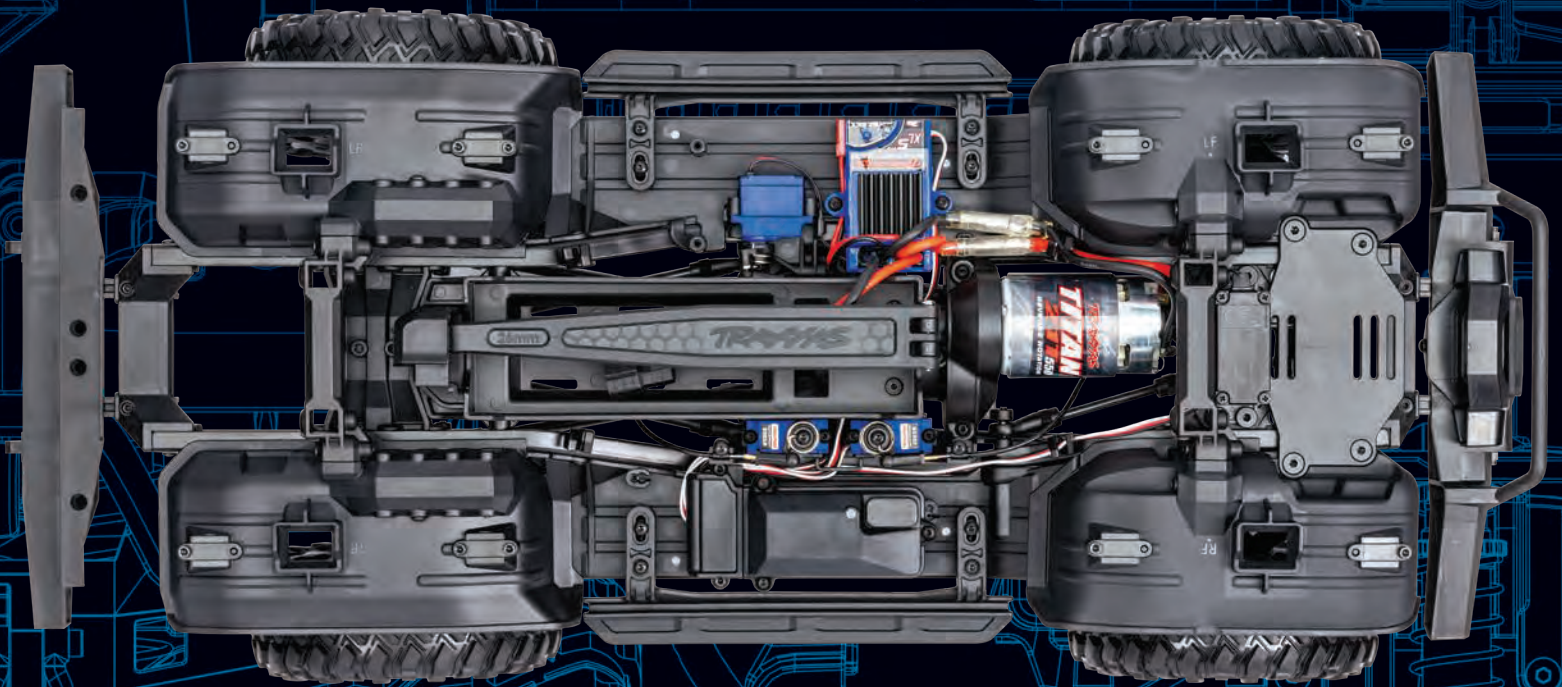
LED Codes and Protection Modes

- **Slow Blinking Red:** Low battery voltage. If you see this code because a NiMH battery was connected to an ESC with Low-Voltage Detection turned on, then follow the calibration steps below to release the code and change the ESC to NiMH mode.
- **Fast Blinking Red and Green:** Overvoltage. This code can appear when a fully charged NiMH battery is connected to the ESC with Low-Voltage Detection turned on. Follow the calibration steps below to release the code and change the ESC to NiMH mode.
- **Fast Blinking Red:** Overtemp. Allow the ESC to cool before continuing. The ESC can get too hot in situations such as climbing and crawling in high gear, which increases load on the system. Use low gear for climbing and crawling.



TRAXXAS[®]

ASSEMBLY MANUAL



MODEL 82216-4

TRAXXAS

6250 TRAXXAS WAY, MCKINNEY, TEXAS 75070
1-888-TRAXXAS