

Jeep Gladiator Rubicon

1/10 Hard Body Kit

Official Licensed Product

NO.48765

killerbody

1/10 RC PLANNING INSTRUCTION SHEET

Scale Hard Body (Long wheelbase: 313mm Width: 193mm)

Fit for 1/10 Scale Crawler & Truck Simulated Chassis:

Killerbody Mercury High-simulated chassis / Axial SCX10 & SCX10_II Chassis / Traxxas TRX-4 chassis
RC4WD TF2 LWB Chassis and so on

Before beginning assembly, please read these instructions thoroughly!

● Symbols used throughout the instruction manual, comprise:



Smooth rough edge.



Remove.



Pay close attention here!



Must be purchased separately.



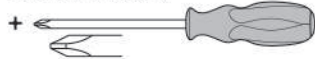
Assemble left and right sides the same way.

The picture on cover was taken in kind.



TOOLS RECOMMENDED (NOT INCLUDED)

Screwdriver (large)



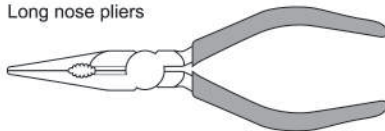
Screwdriver (small)



Tweezers



Long nose pliers



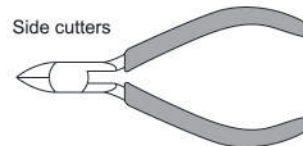
Modeling knife



Drill 2.0mm



Side cutters

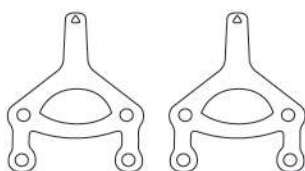


Plastic cement

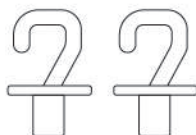
PARTS

PA parts ----- X2	Screws 2X8mm ----- X6	Tapping screws 1.5X8mm ----- X16
ABS parts ----- X11	Flat tail tapping screws 2X6mm -- X35	Screws 1.2X9mm ----- X8
PC parts ----- X2	Point tail tapping screws 2X6mm -- X74	Iron bars Φ 1X9mm ----- X4
Chromed parts ----- X1	Screws 1.2X3mm ----- X8	springs Φ 3X9mm ----- X2
PP parts ----- X1	Screws 2X5mm ----- X2	
Plastic glass ----- X1	Screws 2X7mm ----- X4	
	Flange screws 2X5X5mm ----- X19	
	Tapping screws 1.4X5mm ----- X12	
	Flange screws 1.4X4X4mm ----- X10	

U 48765-U



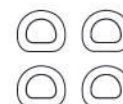
U01



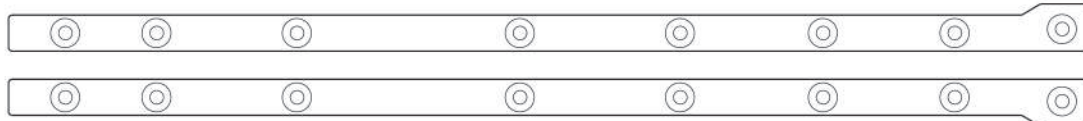
U02



U03



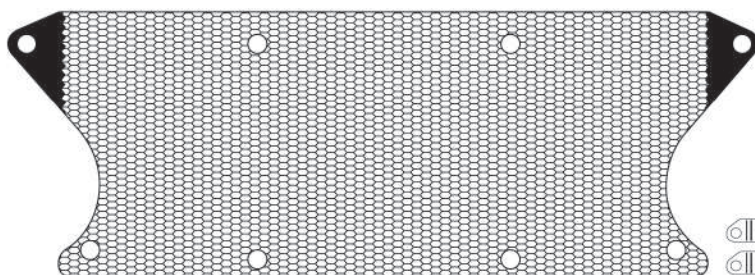
U04



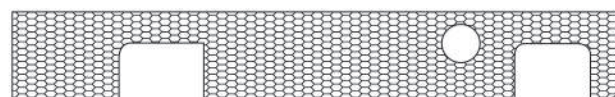
U05

alloyed parts ----- X14

V 48765-V



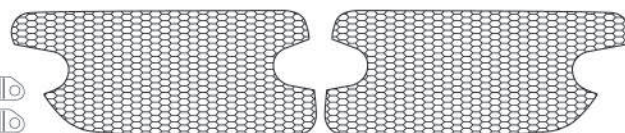
V01



V02



V04



V03

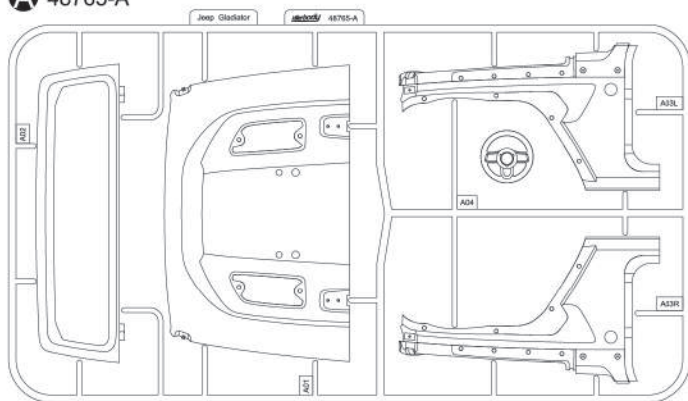
Stainless steel air mtake mcsh ----- X6



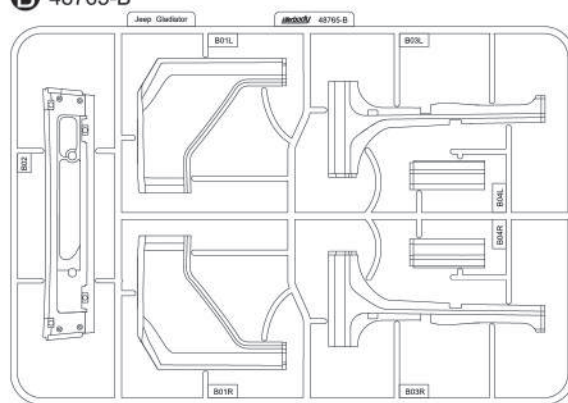
150X30mm

Double-sided tape for dashboard ----- X1

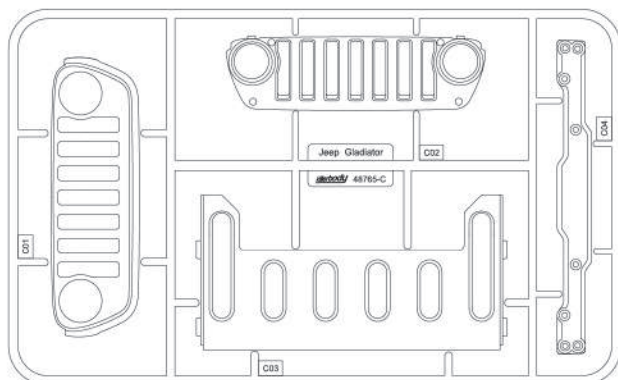
A 48765-A



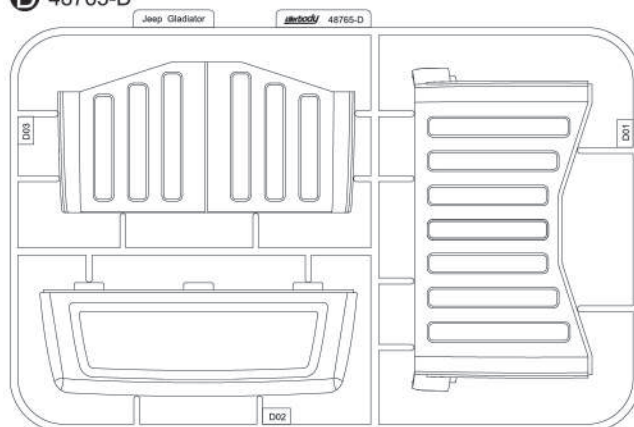
B 48765-B



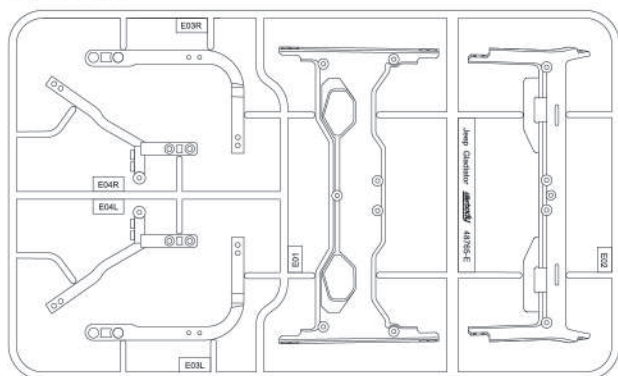
C 48765-C



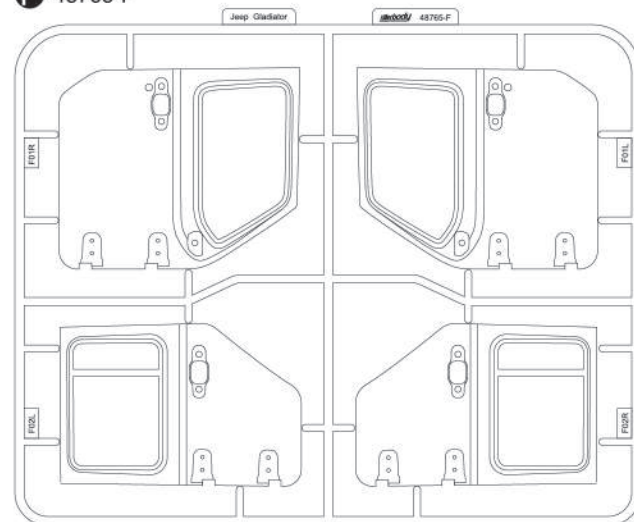
D 48765-D



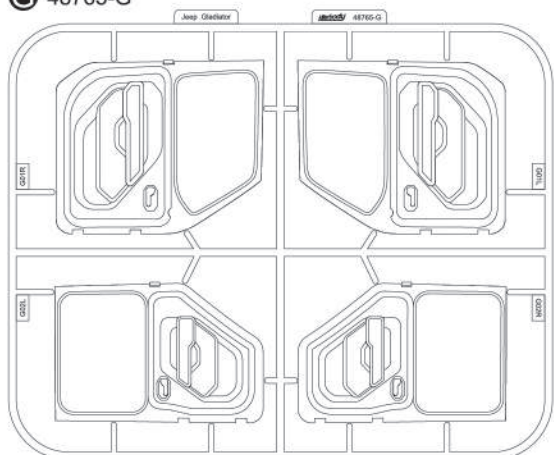
E 48765-E



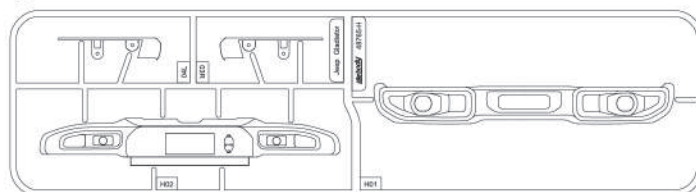
F 48765-F



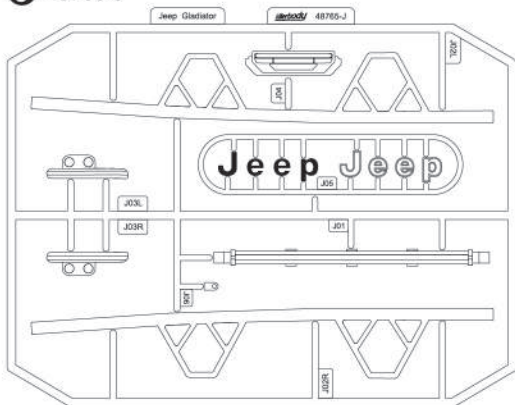
G 48765-G



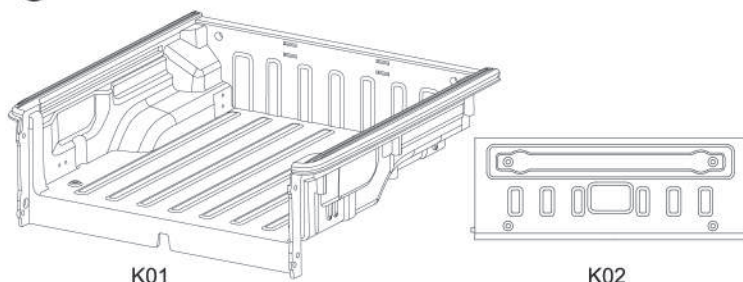
H 48765-H



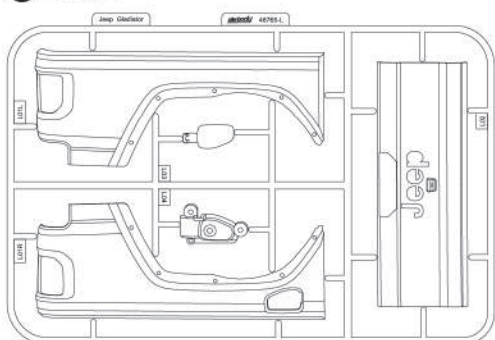
J 48765-J



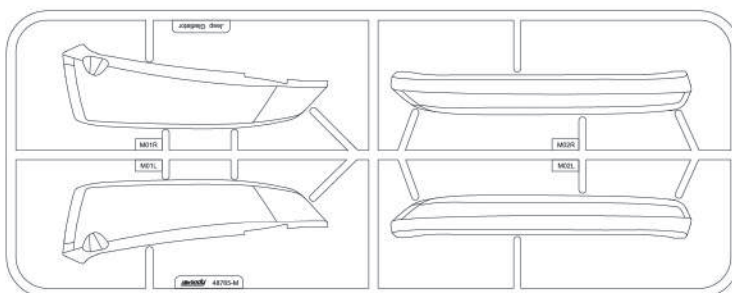
K 48765-K



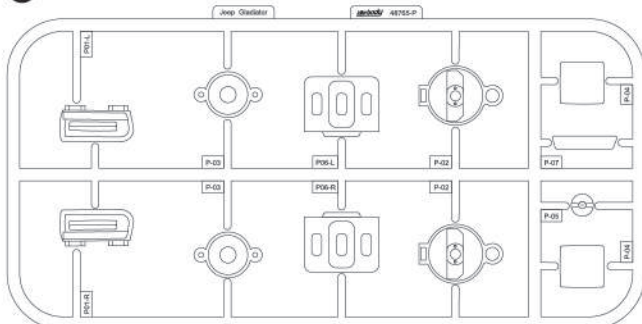
L 48765-L



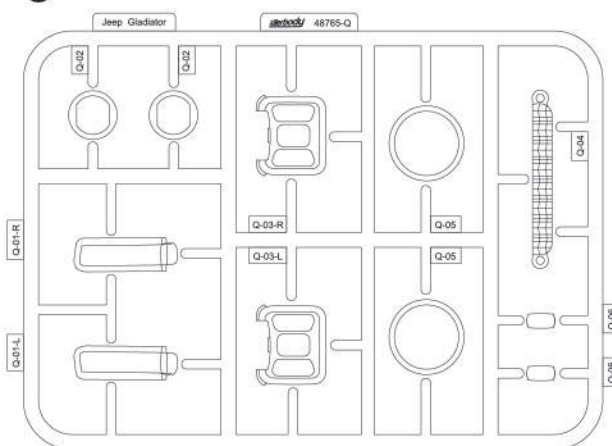
M 48765-M



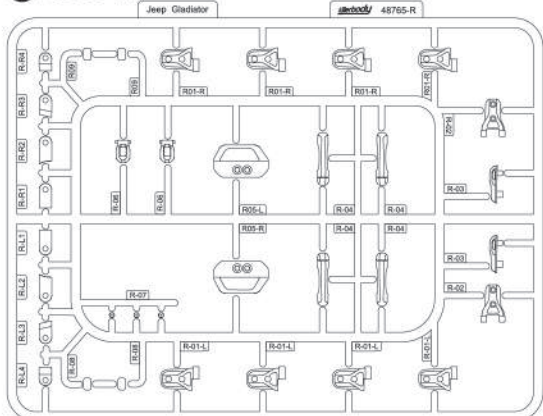
P 48765-P



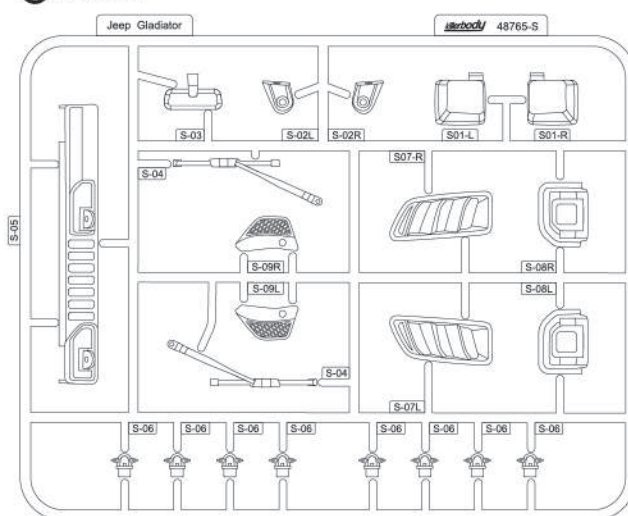
Q 48765-Q



R 48765-R

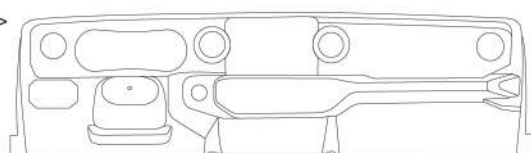


S 48765-S

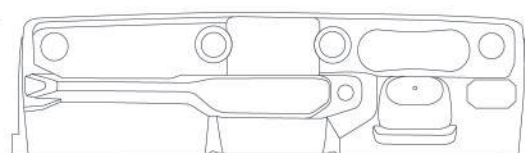


T PC dashboard

<Left>

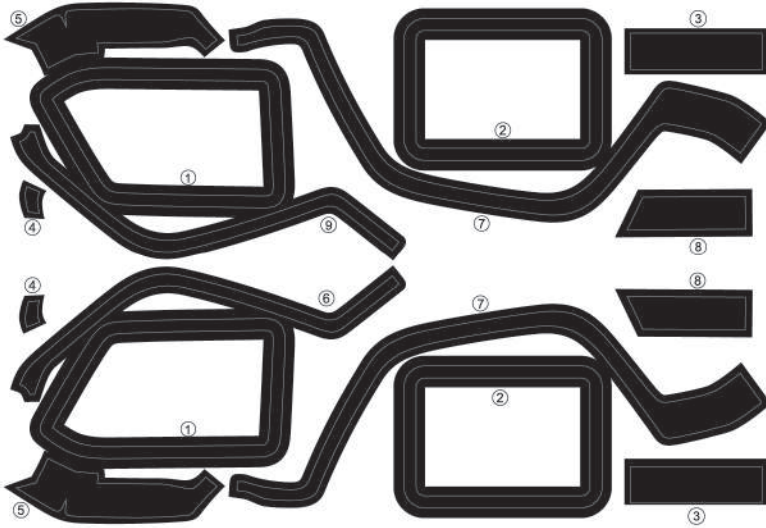


<Right>

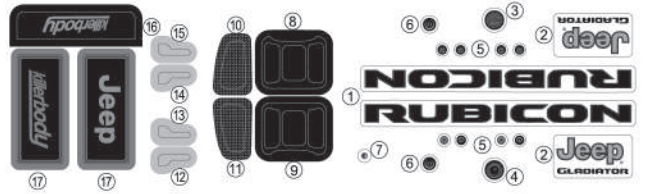


X 48765-X

Body decal sheet - 1



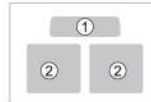
Gilt decorative decal - 2



Dashboard decal sheet - 3

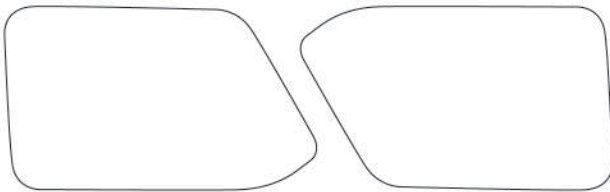


Silver mirror decal - 4

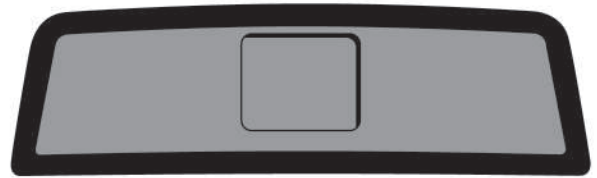


PC TRANSPARENT WINDOW GLASS (PRINTED)

Y 48765-Y



Front window glass - 1



Rear window glass - 2



Rear window glass - 3

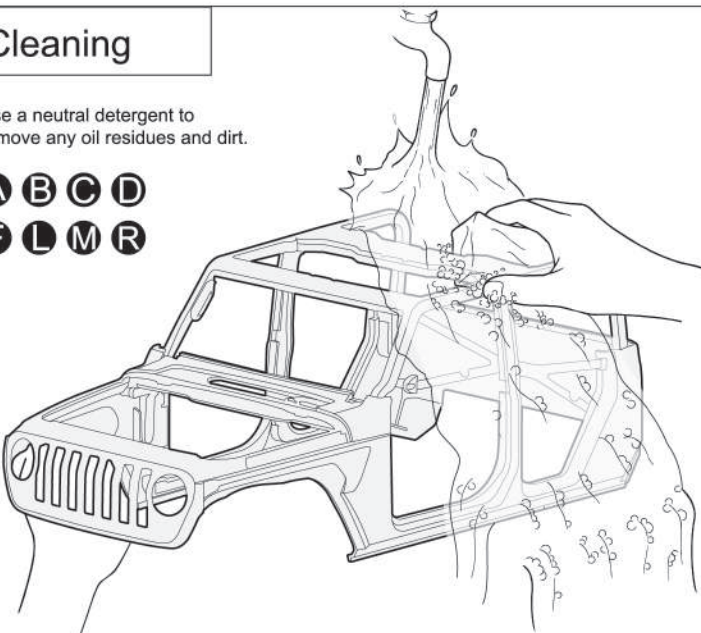


Windshield - 4

1 Cleaning

Use a neutral detergent to remove any oil residues and dirt.

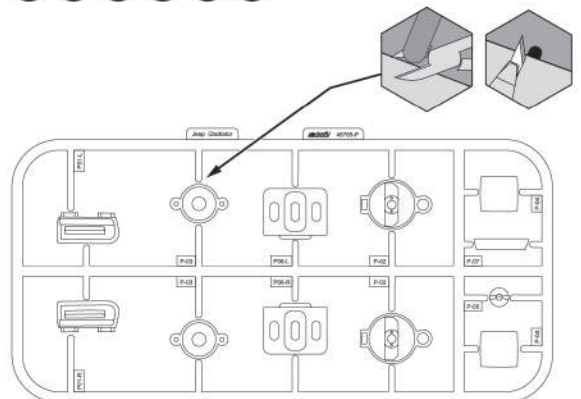
A B C D
F L M R



2 Cutting

Remove.

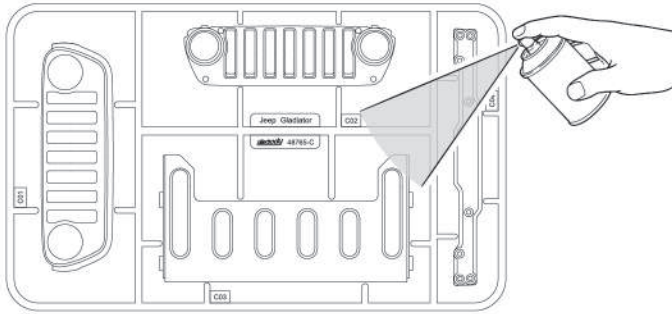
A B C D E F G H J K
L M P Q R S



3 Painting

Spraying paint your favorite color with hard varnish.

A B C D F L M R

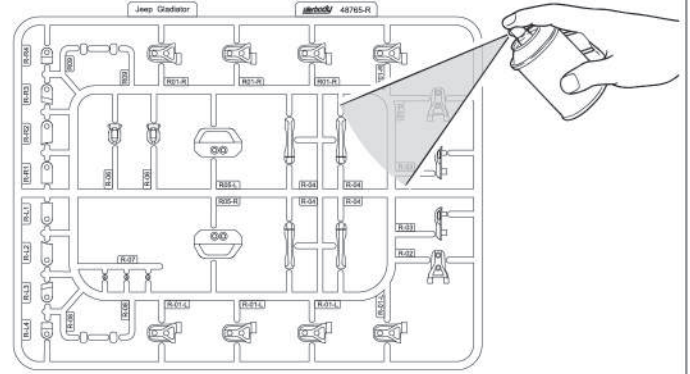


⚠ Warm prompt: **D M** also can spray it in black.


4 Painting

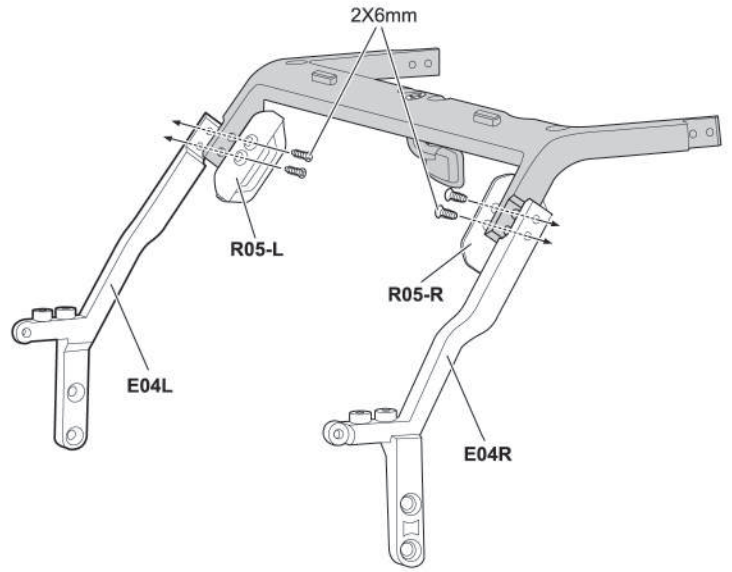
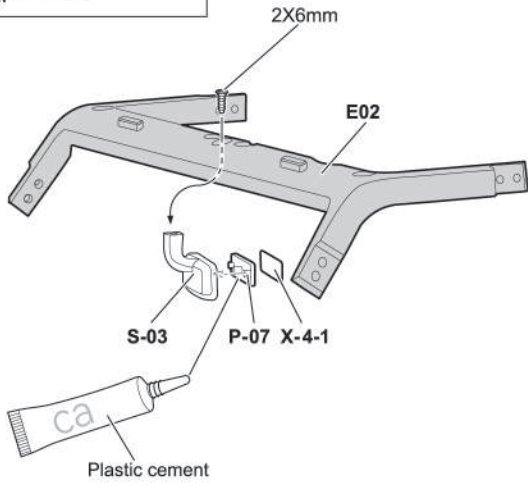
Spraying paint your favorite color with soft varnish, recommending to use the same color as the body

R




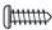
5 Assembling

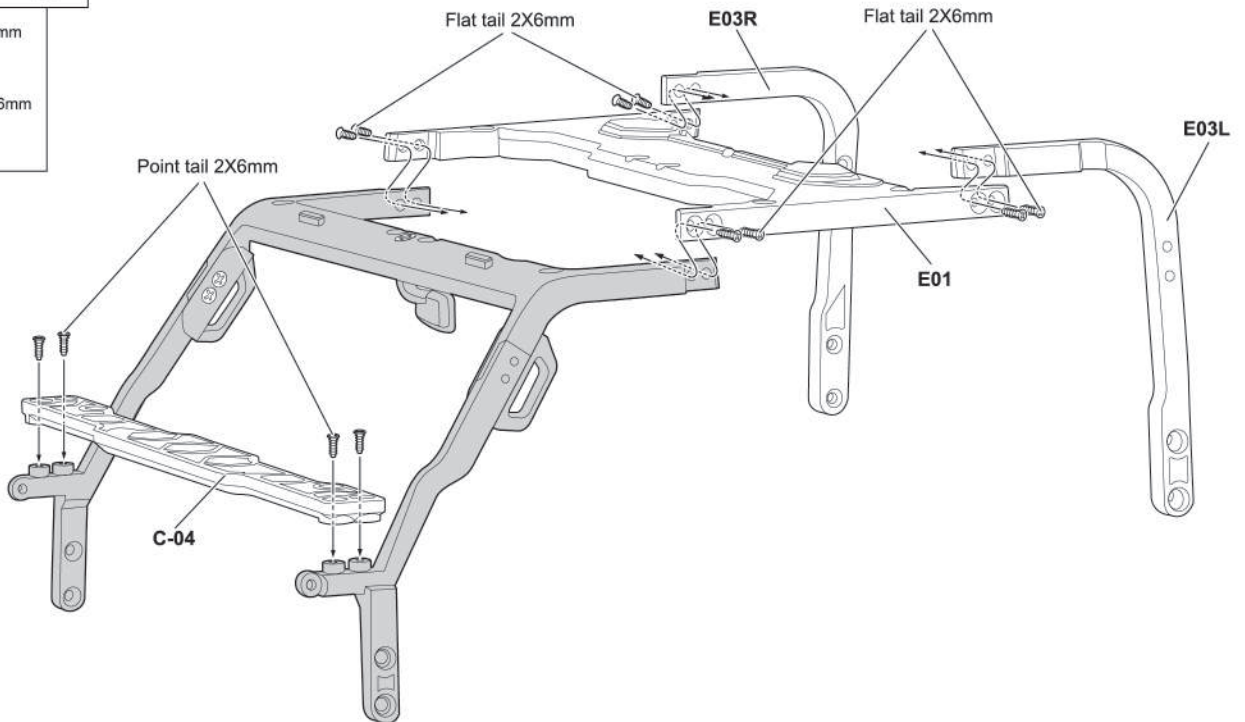
Flat tail tapping screws 2X6mm
 X5



6 Assembling

Flat tail tapping screws 2X6mm
 X8

Point tail tapping screws 2X6mm
 X4



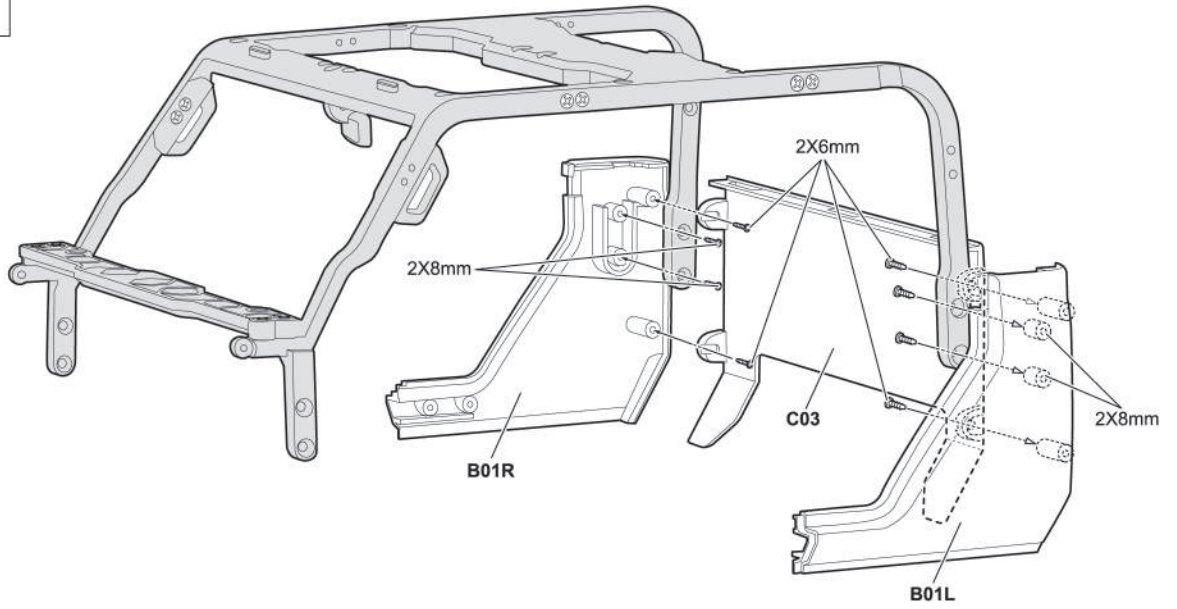
7 Assembling

Point tail tapping screws 2X6mm

----- X4

Screws 2X8mm

----- X4



8 Assembling

Point tail tapping screws 2X6mm

----- X8

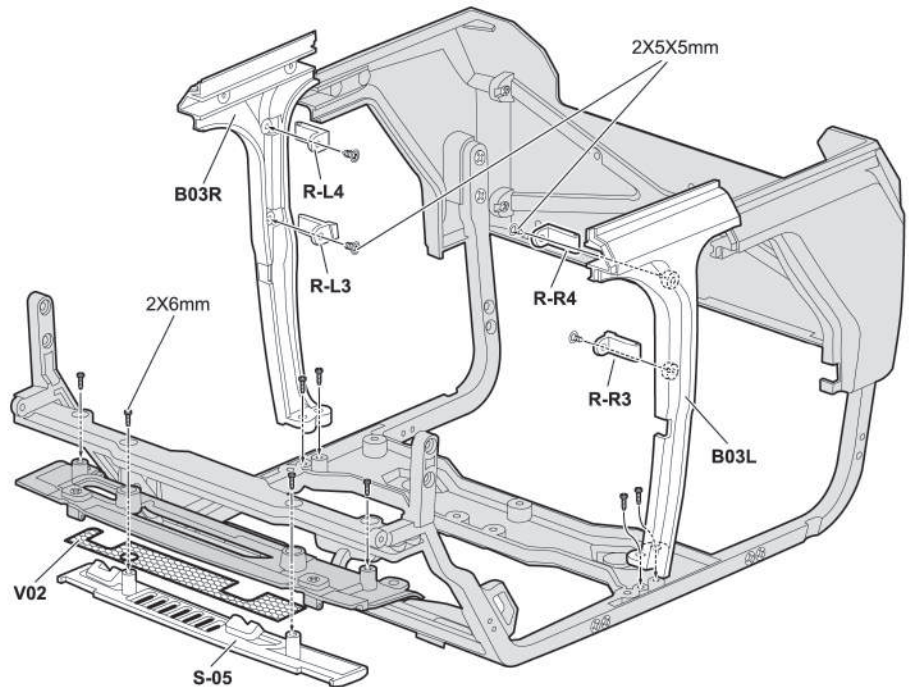
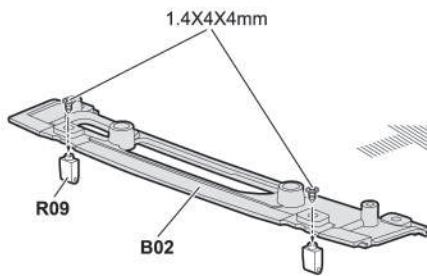
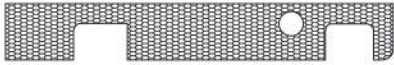
Flange screw 2X5X5mm

----- X4

Flange screws 1.4X4X4mm

----- X2

V02



9 Assembling

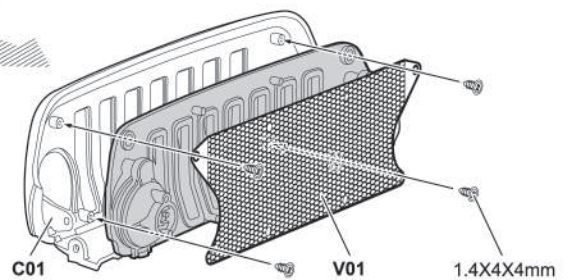
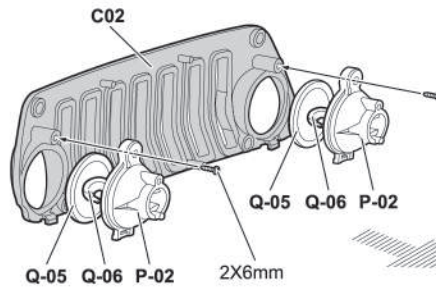
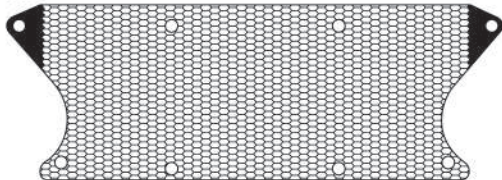
Point tail tapping screws 2X6mm

----- X2

Flange screws 1.4X4X4mm


----- X4

V01

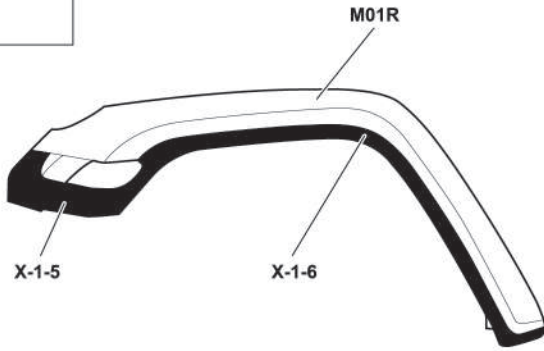


10 Assembling

Flange screws 2X5X5mm

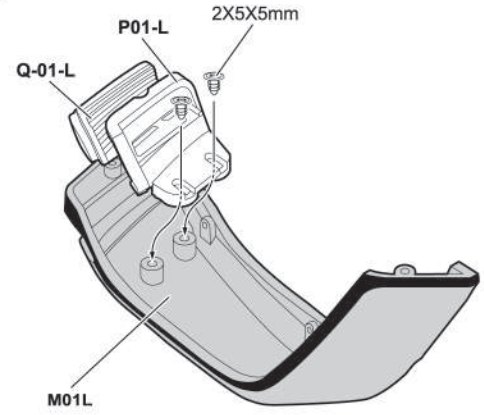
 ----- X4

L/R



⚠ If **M** is sprayed in black, the decals don't need to stick.

L/R



11 Assembling

Point tail tapping screws 2X6mm

 ----- X10

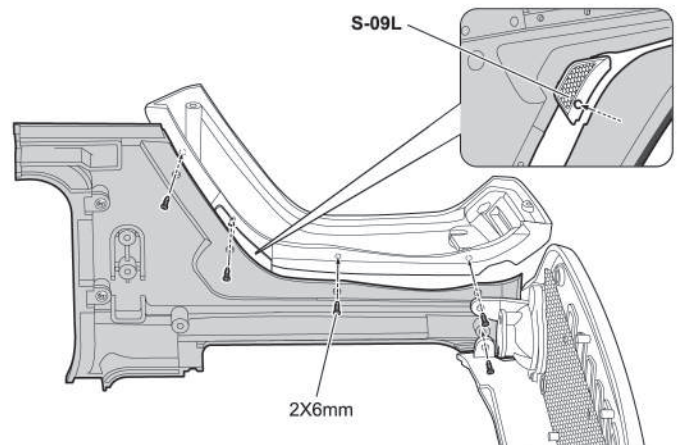
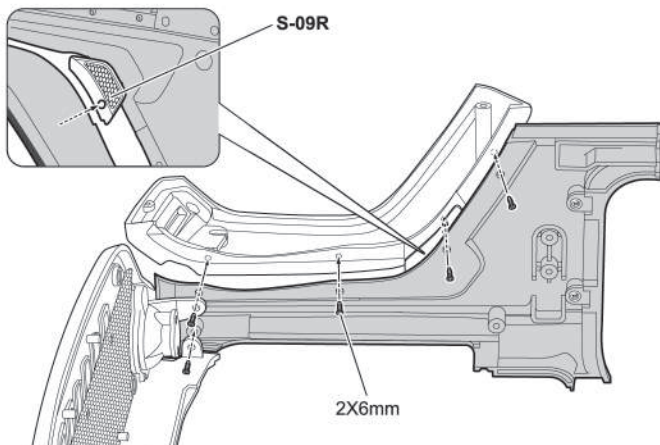
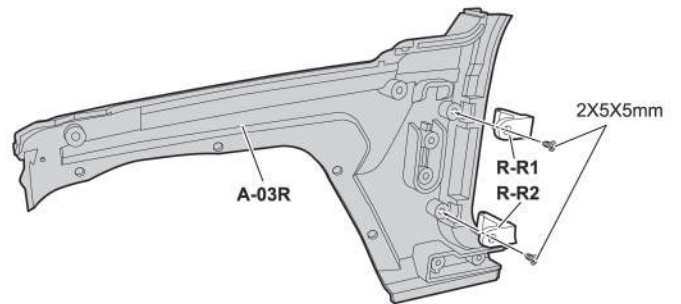
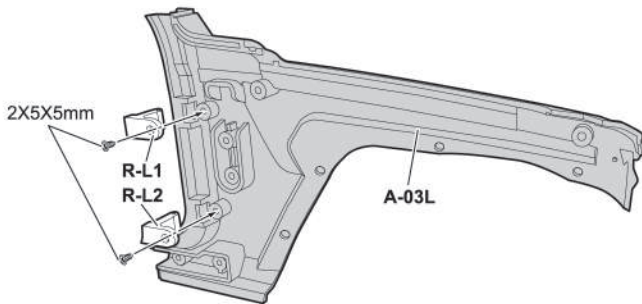
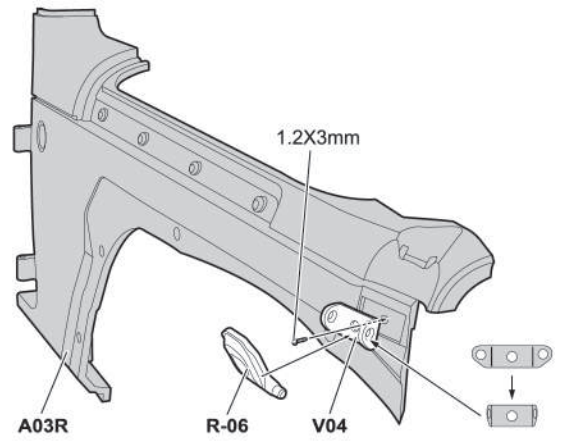
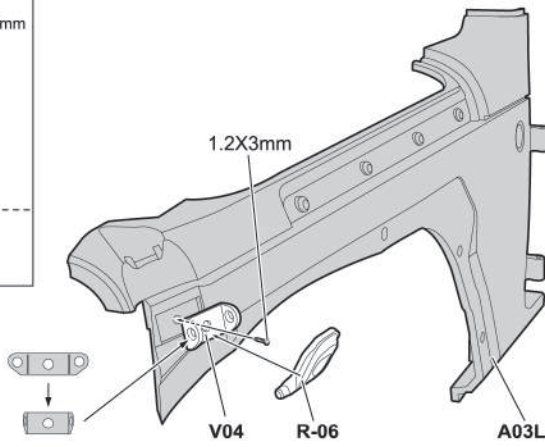
Flange screws 2X5X5mm

 ----- X4


Screws 1.2X3mm


 ----- X2

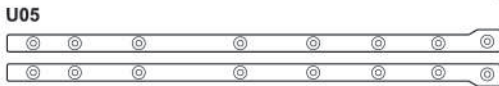
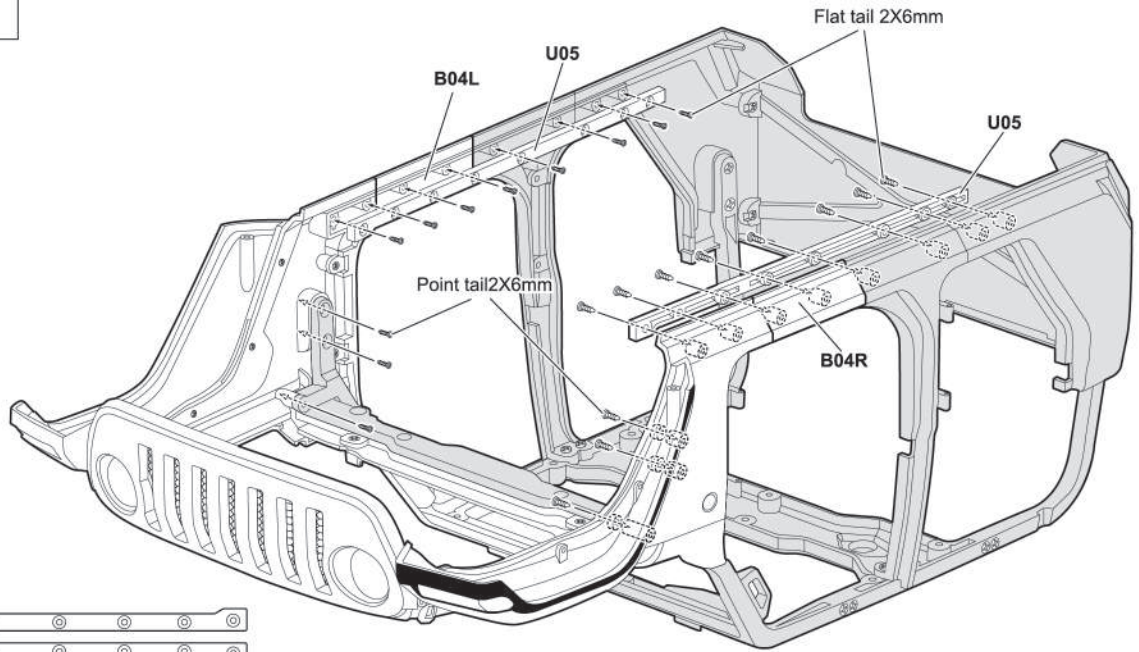
V04




12 Assembling

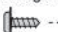
Flat tail tapping screws 2X6mm
 -----X16

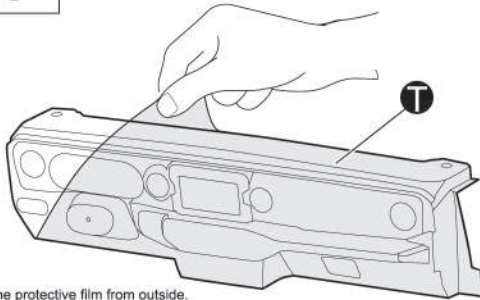
Point tail tapping screws 2X6mm
 -----X6



13 Assembling

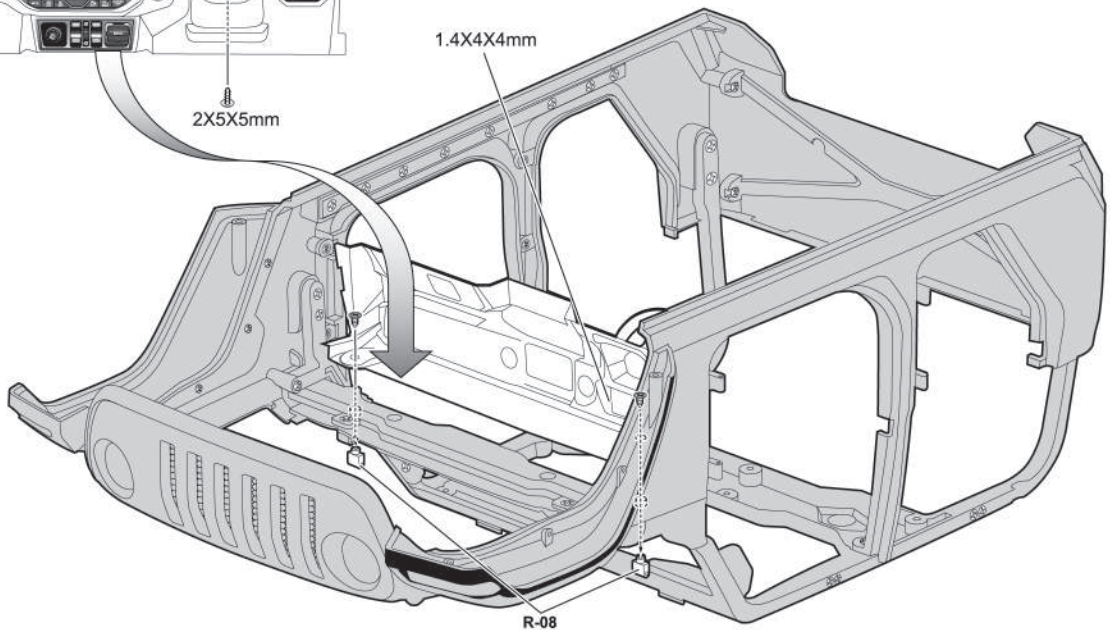
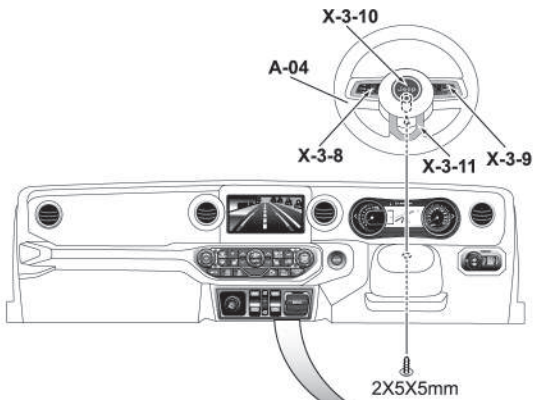
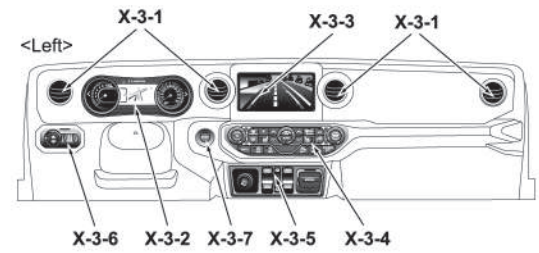
Flange screws 2X5X5mm
 -----X1

Flange screws 1.4X4X4mm
 -----X2



① Remove the protective film from outside.

② Decal sheet



14 Assembling

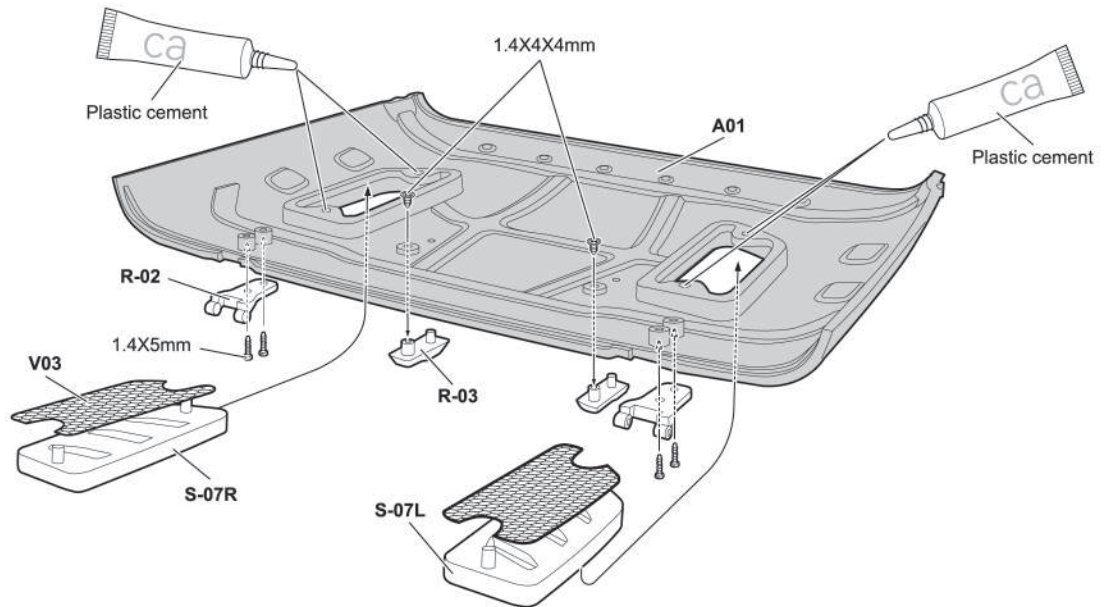
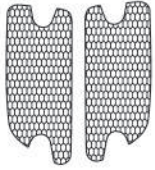
Flange screws 1.4X5mm

-----X4

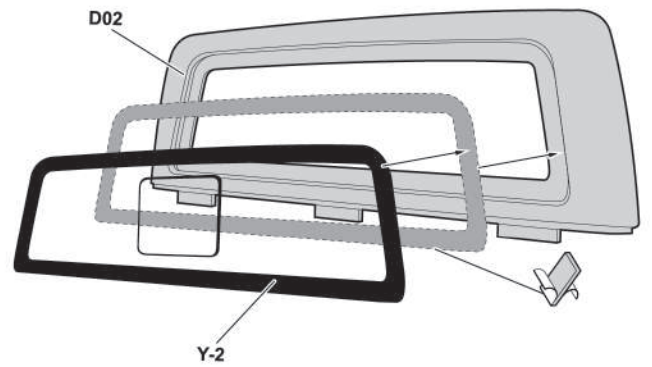
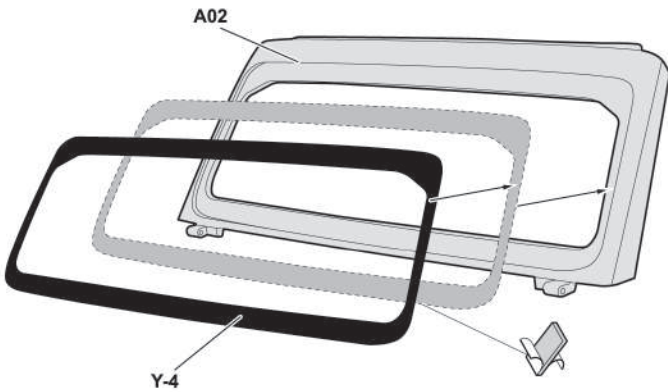
Flange screws 1.4X4X4mm

-----X2

V03



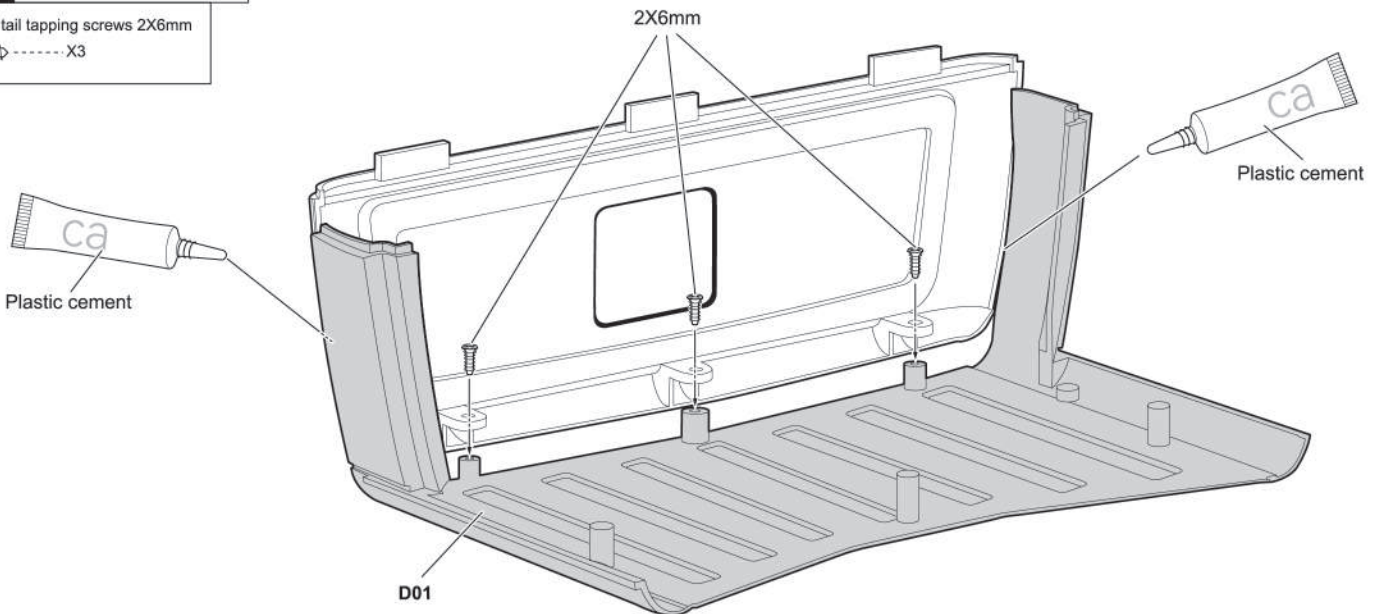
15 Assembling



16 Assembling

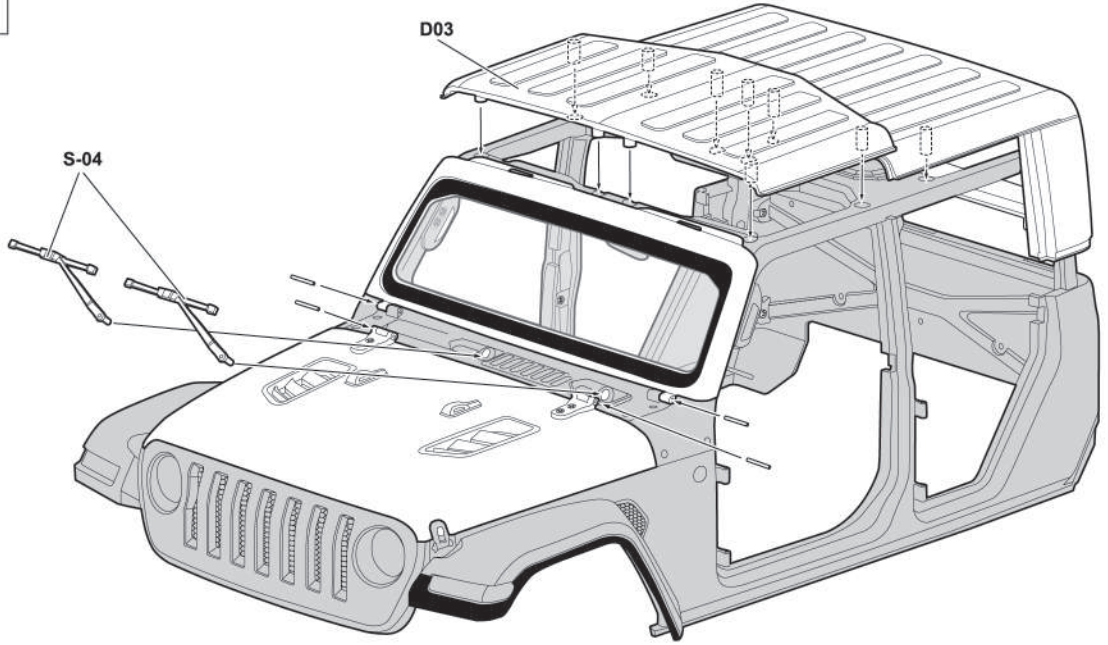
Point tail tapping screws 2X6mm

-----X3



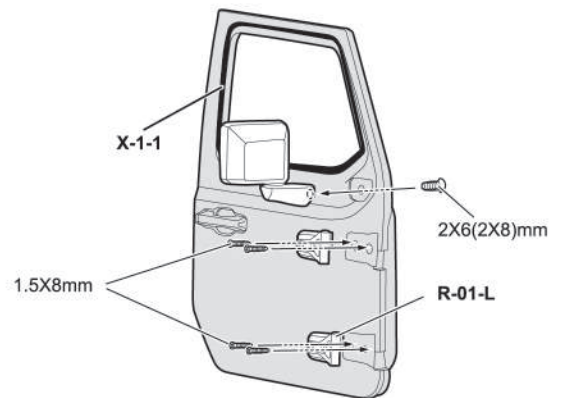
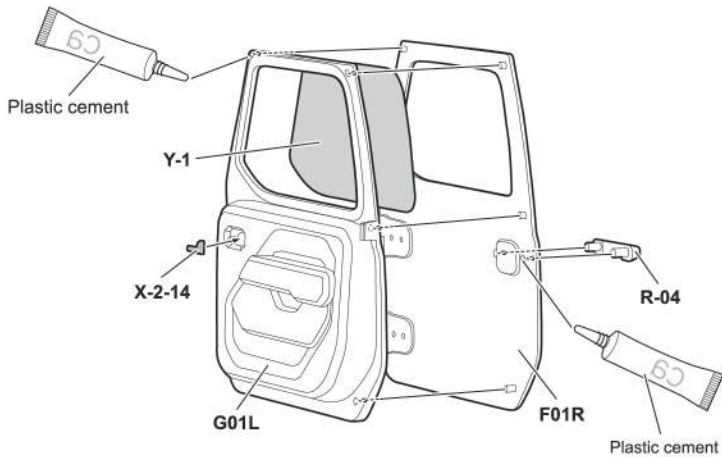
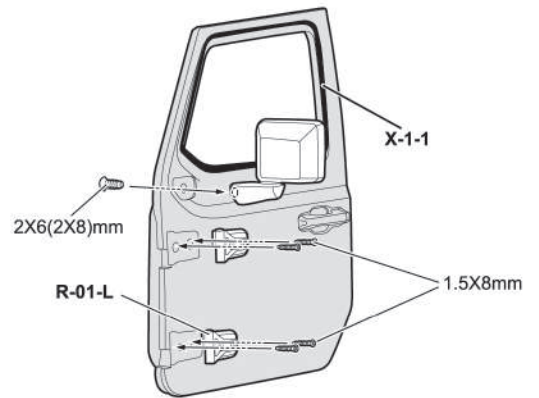
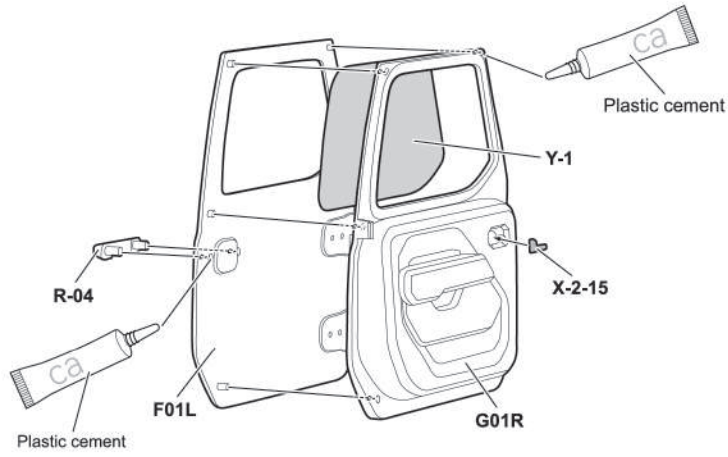
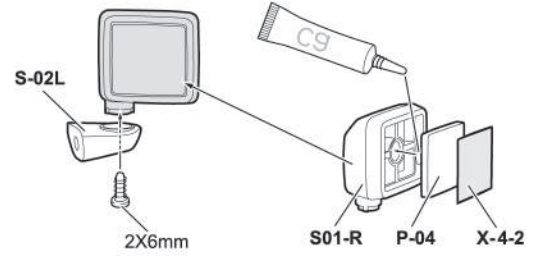
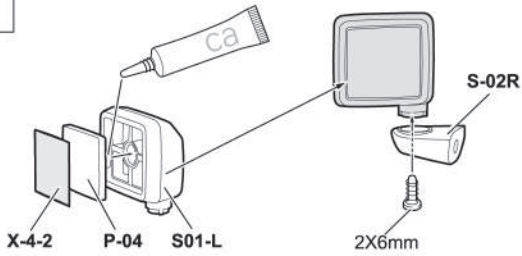
17 Assembling

Iron bars $\Phi 1 \times 9 \text{mm}$
 ——— X4




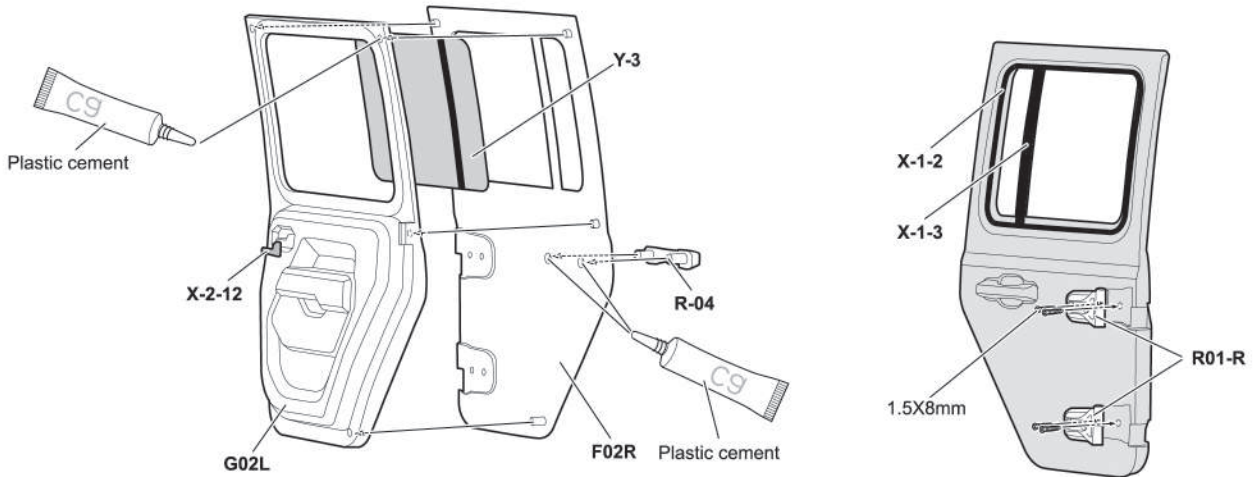
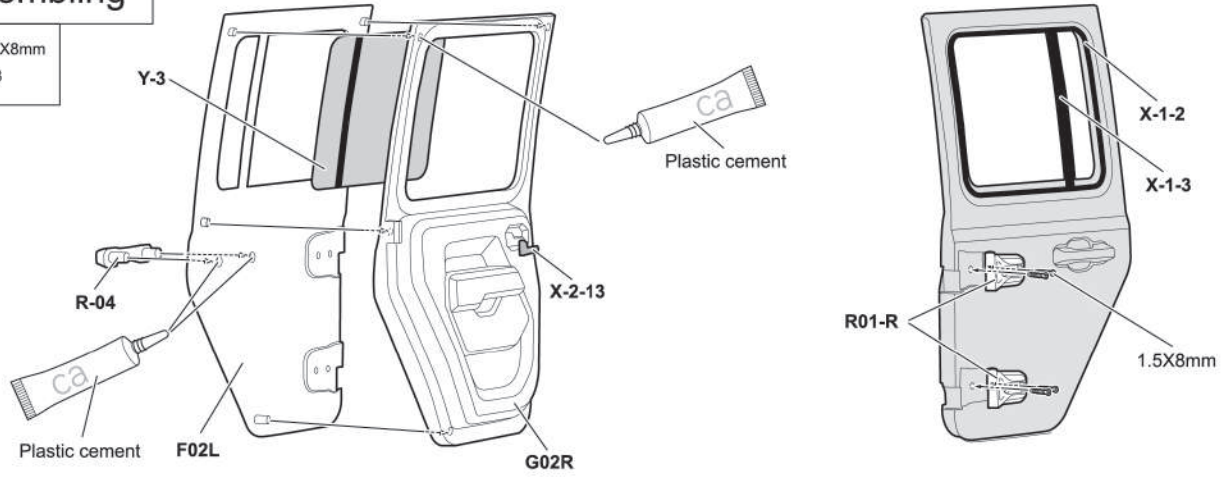
18 Assembling

Point tail tapping screws $2 \times 6 \text{mm}$
 (screw icon) ——— X6
 Tapping screws $1.5 \times 8 \text{mm}$
 (screw icon) ——— X8




19 Assembling

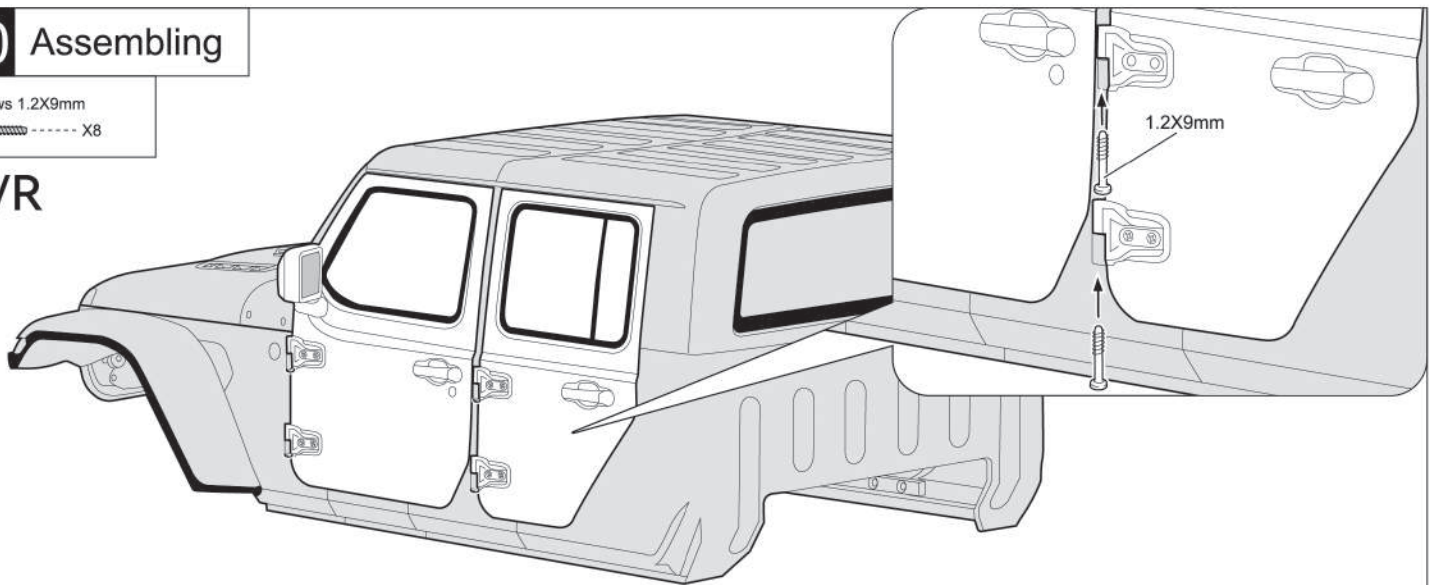
Tapping screws 1.5X8mm
 X8




20 Assembling

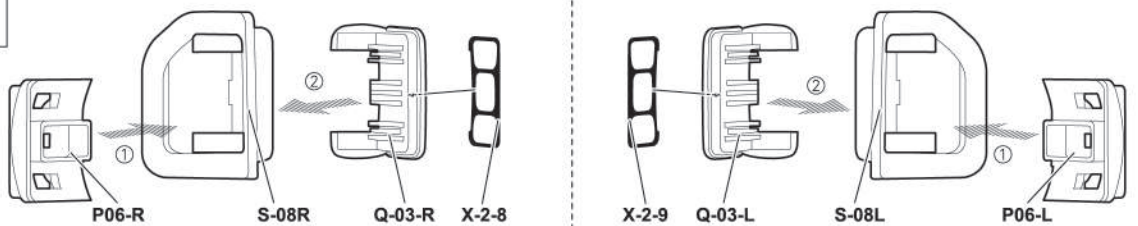
Screws 1.2X9mm
 X8

L/R

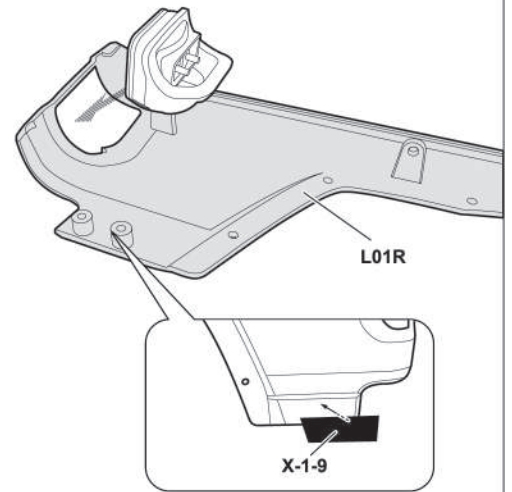
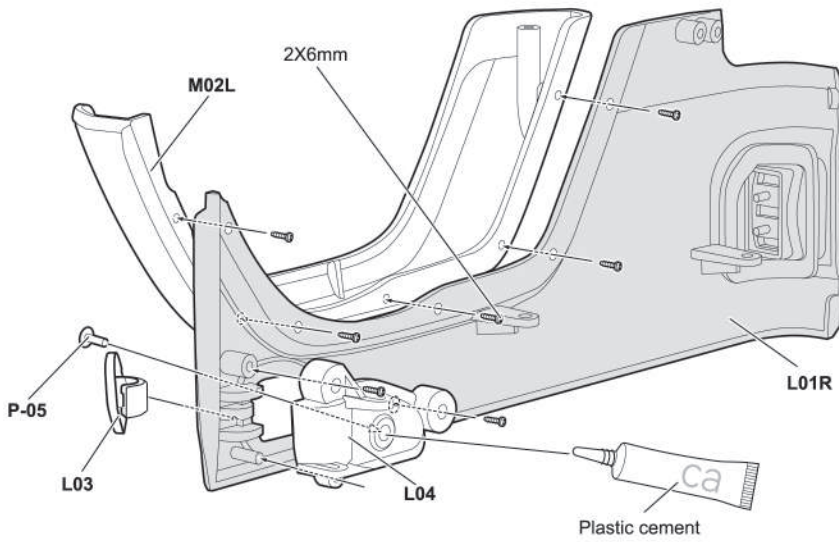
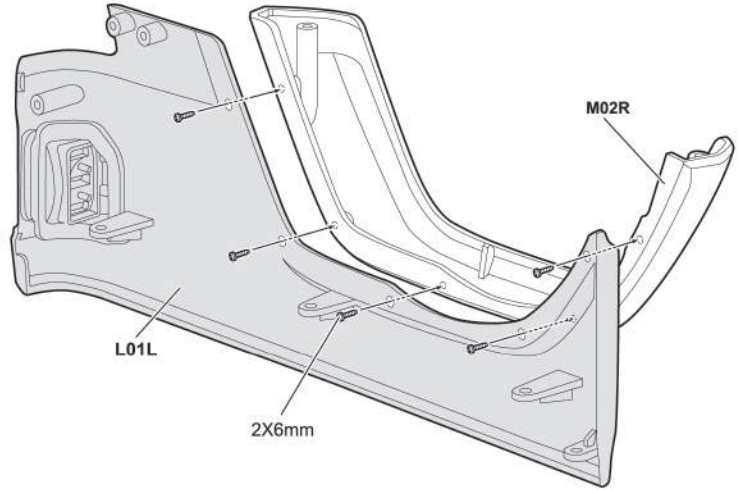
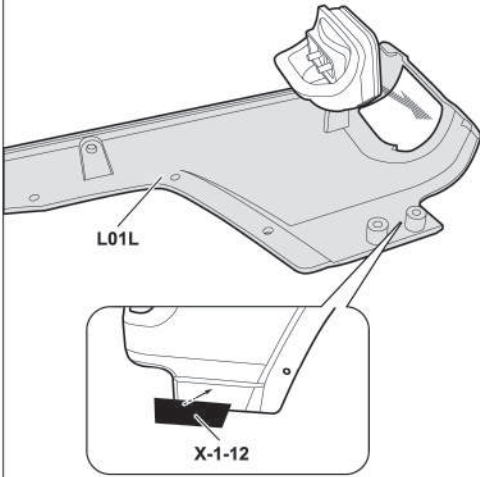
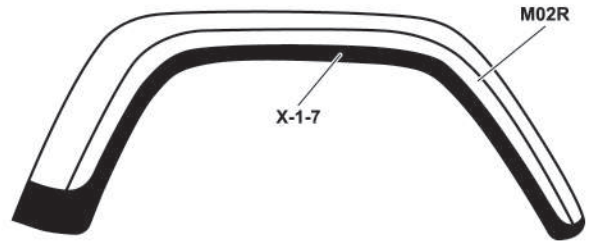
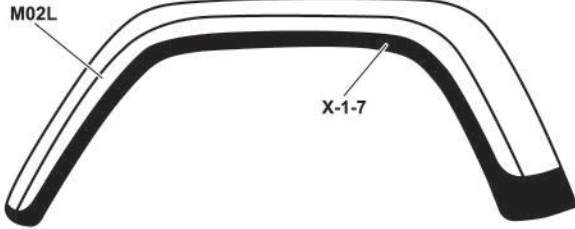


21 Assembling

Point tail tapping screws 2X6mm
 X12



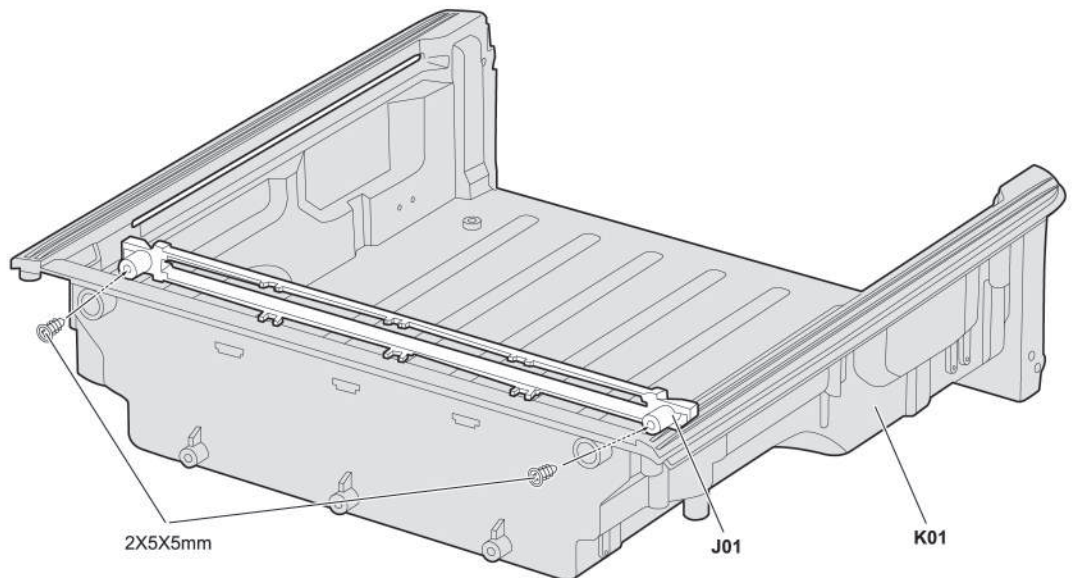
⚠ If **M** is sprayed in black, the decals don't need to stick.



22 Assembling

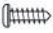
Flange screws 2X5X5mm

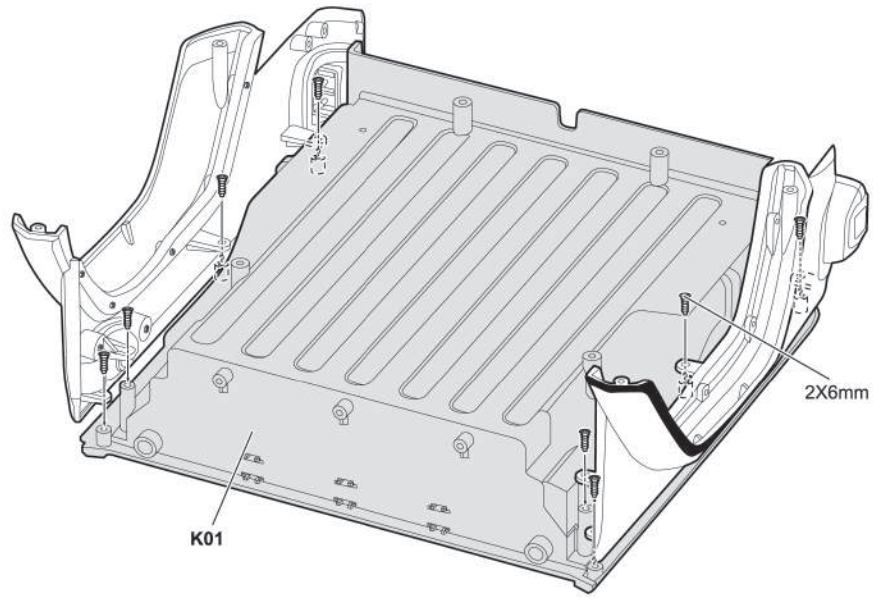
 X2



23 Assembling

Point tail tapping screws 2X6mm

 X8

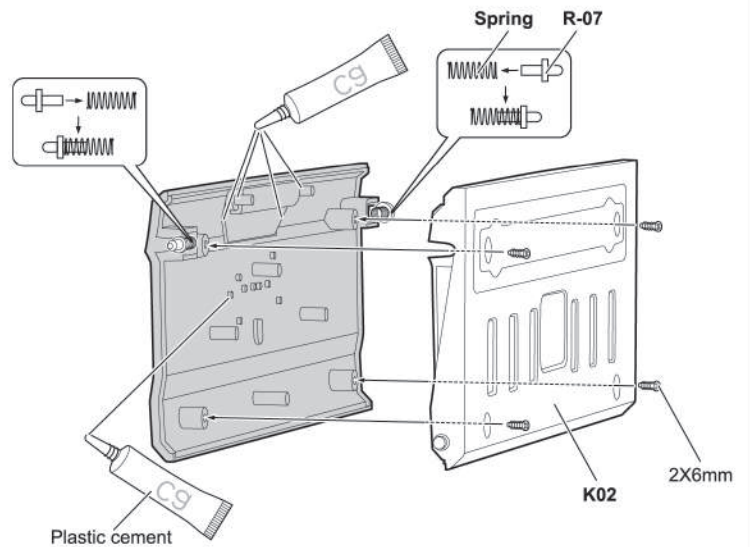
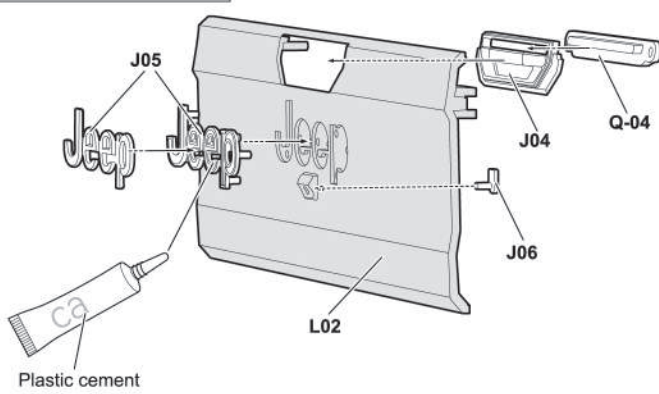


24 Assembling

Flat tail tapping screws 2X6mm


 X4

 X2



25 Assembling

Flat tail tapping screws 2X6mm

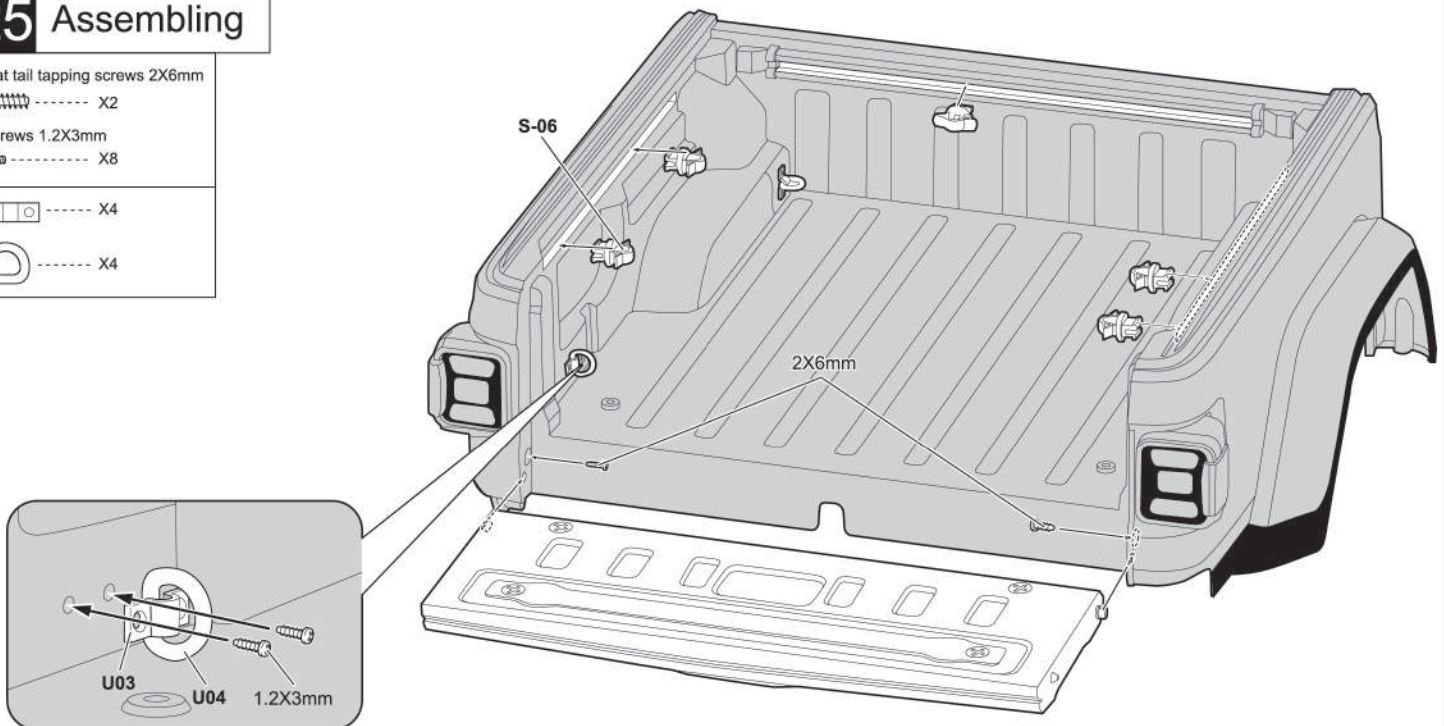
 X2

Screws 1.2X3mm

 X8

 X4

 X4



26 Assembling

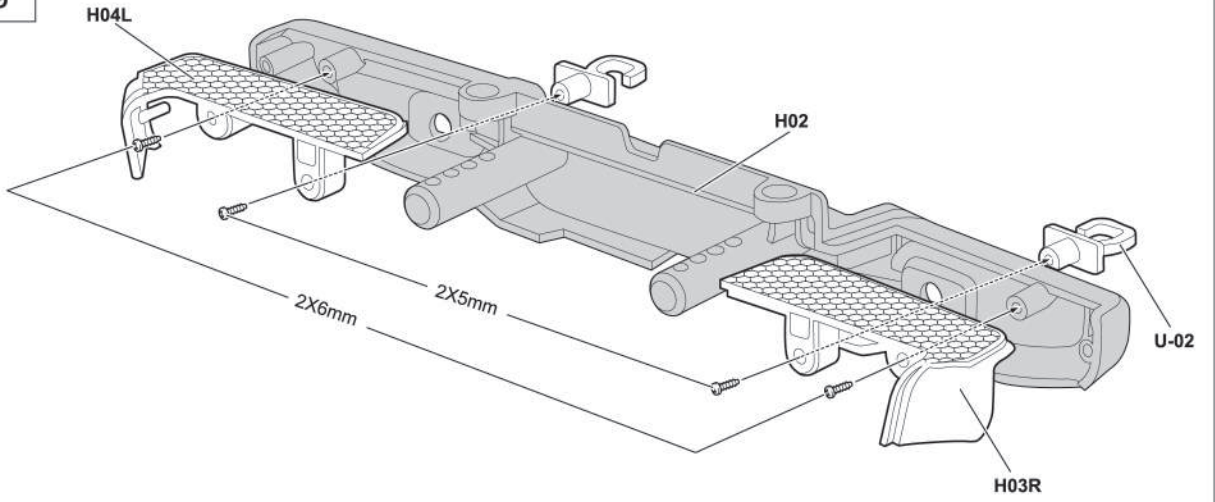
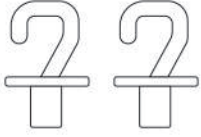
Point tail tapping screws 2X6mm

 X2

Screws 2X5mm

 X2

U02



27 Assembling

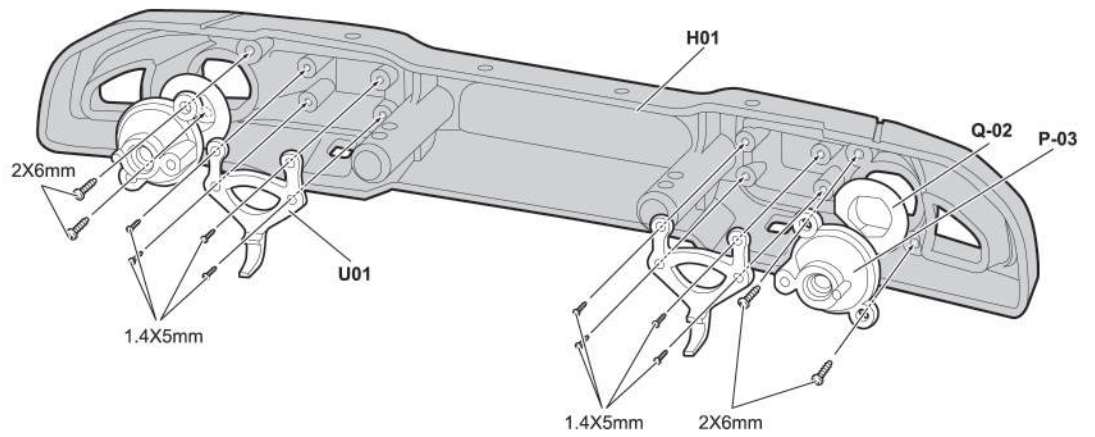
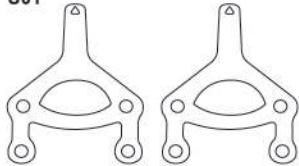
Point tail tapping screws 2X6mm

 X2

Tapping screws 1.4X5mm

 X8

U01



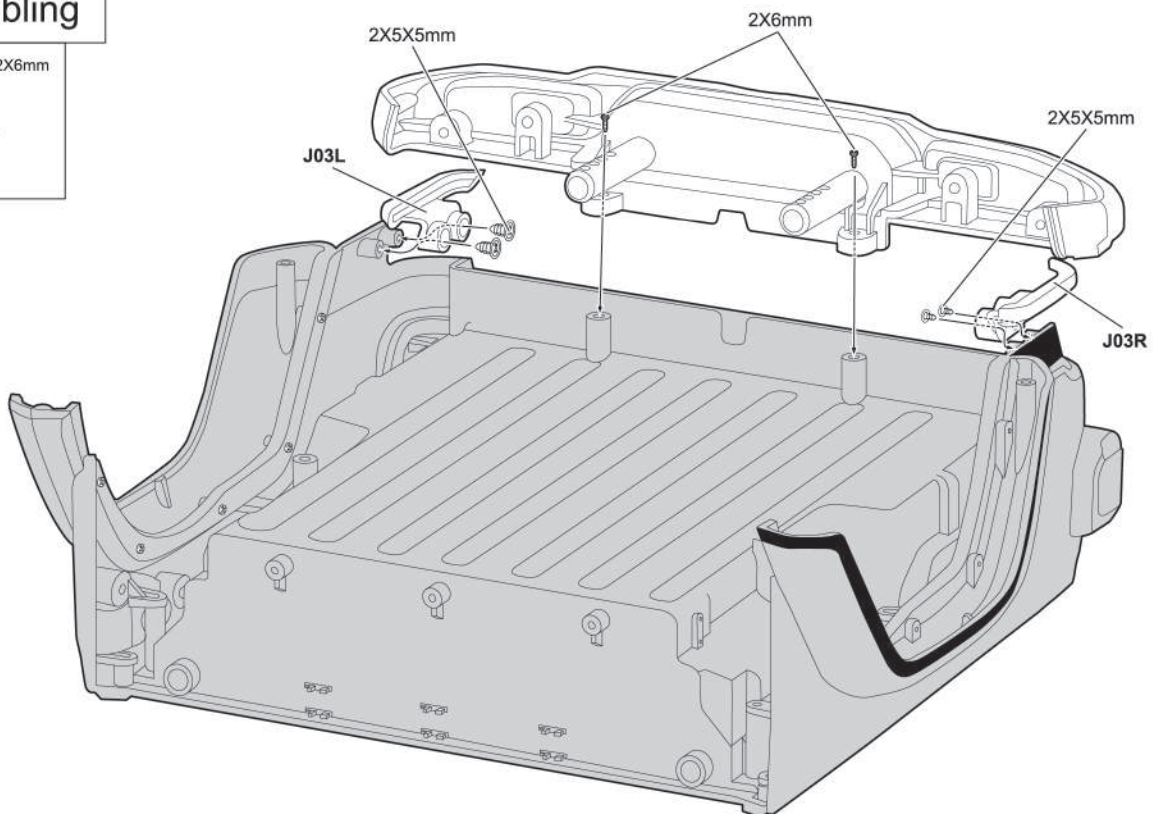
28 Assembling

Point tail tapping screws 2X6mm

 X2

Flange screws 2X5X5mm

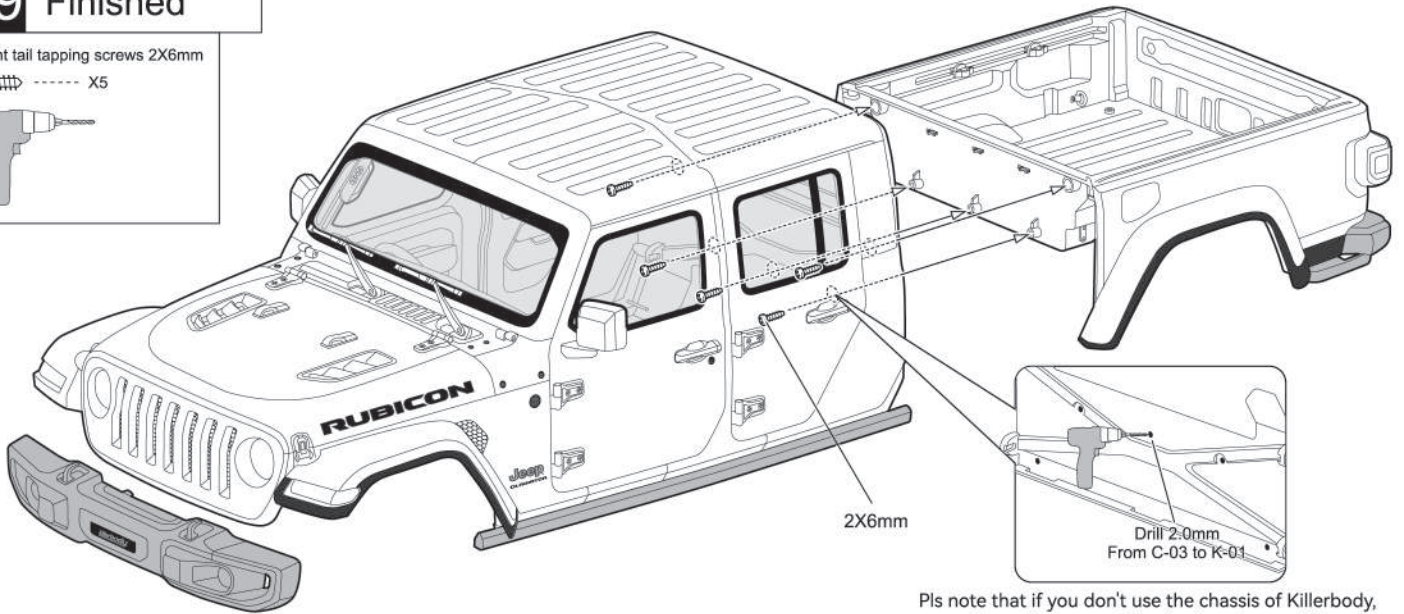
 X4



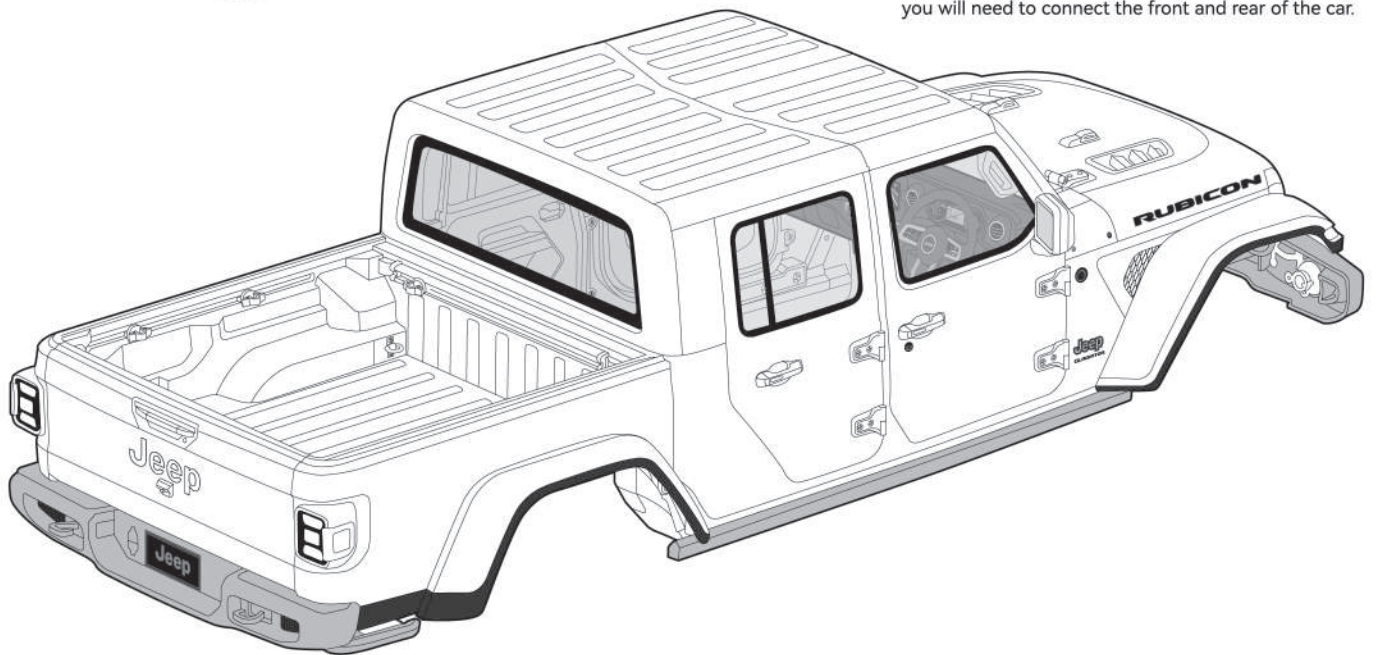
29 Finished

Point tail tapping screws 2X6mm

----- X5



Pls note that if you don't use the chassis of Killerbody, you will need to connect the front and rear of the car.

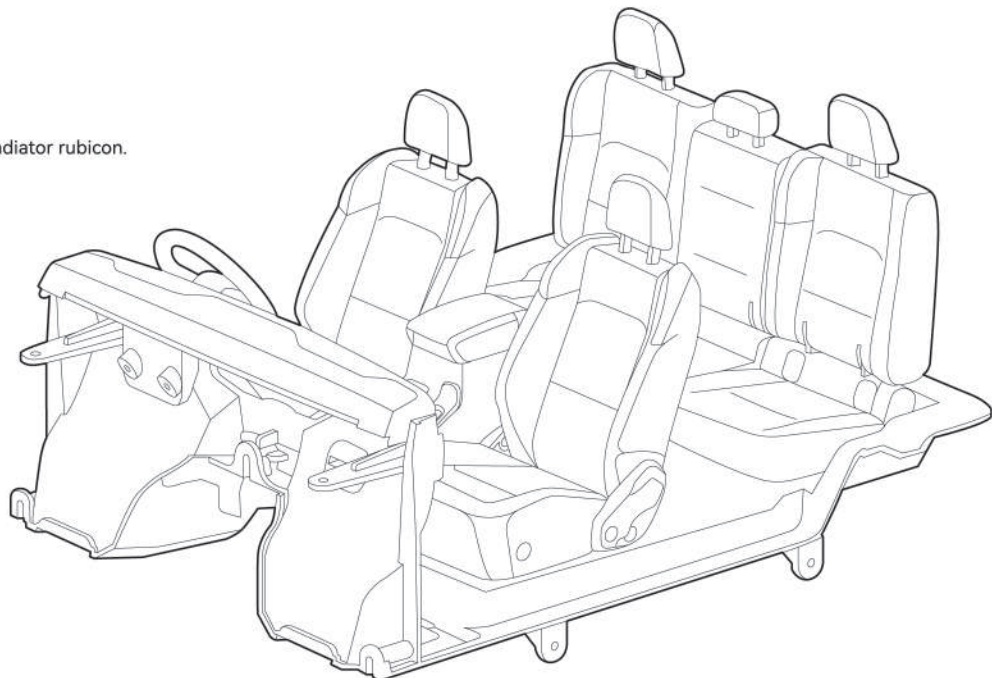


30 Installed

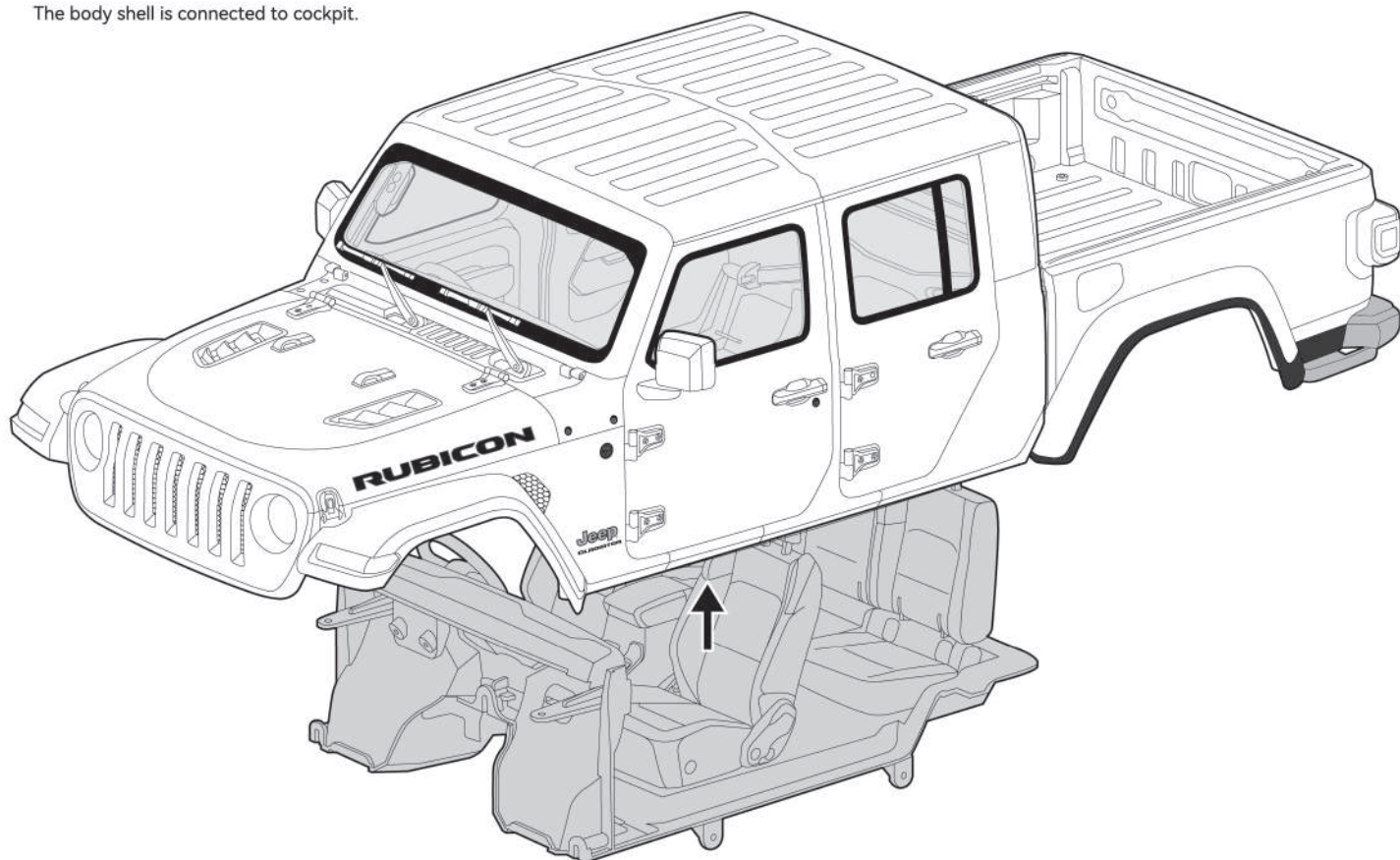


NO.48776

The cockpit set of jeep gladiator rubicon.



The body shell is connected to cockpit.

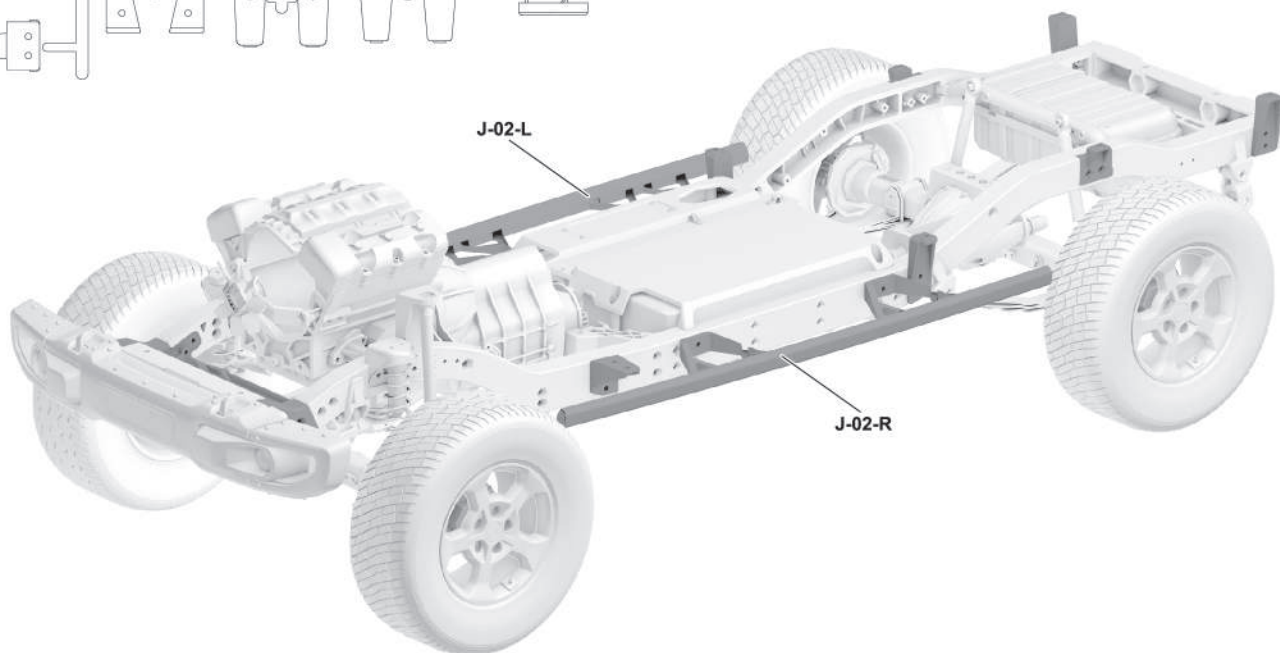
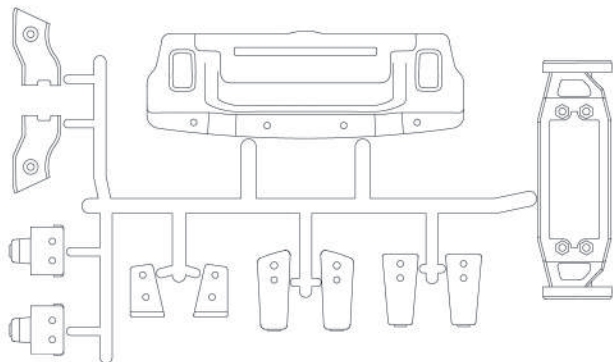


31 Installed



NO.48777

The accessory links the body shell of jeep gladiator rubicon with the MERCURY chassis.



32 Installed

Effect picture KB48765 body shell painted and installed on KB48760 MERCURY chassis.

