

# MERCURY

## 1:10 High-simulated Remote Control Car-Chassis

Item#48780 MERCURY Chassis Kit  
Fit for KB#48601 1/10 Toyota Land Cruiser Hard Body



## WARNING



To prevent serious personal injury and/or property damage, operate all remotely controlled models in a responsible manner as outlined herein.

### CHOOSE THE RIGHT PLACE TO OPERATE YOUR RC MODEL.

- Do not run on public streets or highways. This could cause serious accidents, personal injuries, and/or property damage.
- Never run R/C models near people or animals.
- To avoid injury, do not run in confined spaces.
- Do not run where loud noises can disturb others, such as hospitals and residential areas.
- Never run indoors. There is a high risk of fire and/or damage.

### INSPECT YOUR MODEL BEFORE OPERATION.

- Make sure that all screws and nuts are properly tightened. It is also a good idea to use removable thread lock wherever metal screws go into metal, especially for engine mounts and the engine pilot shaft.
- Always use fresh batteries for your transmitter and for your receiver to avoid losing control of the model.
- Always test the brakes and throttle before starting your engine to avoid losing control of the model.
- Make sure no one else is using the same radio frequency as you are using.

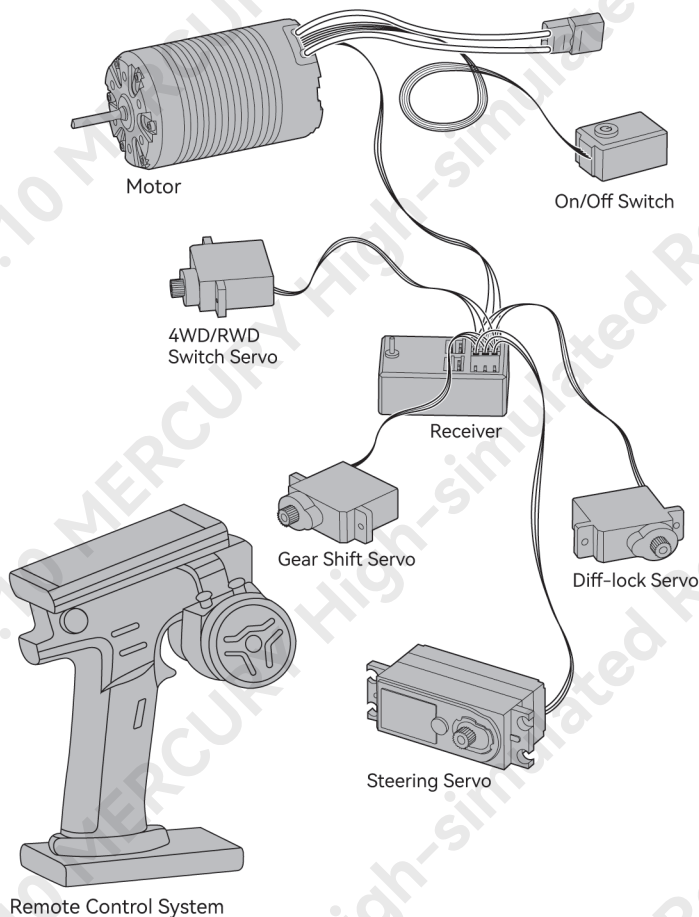
### AFTER OPERATION OF YOUR R/C MODEL

- Turn off receiver first, then turn off transmitter, this will prevent runaways.
- Be careful when handling batteries, they will be hot after running.
- Replace any batteries that have been dented or have frayed wires, short circuits can cause fire.
- Be sure to keep your R/C model clean and free of excess dirt and grease, this will increase the life.

## EQUIPMENT NEEDED

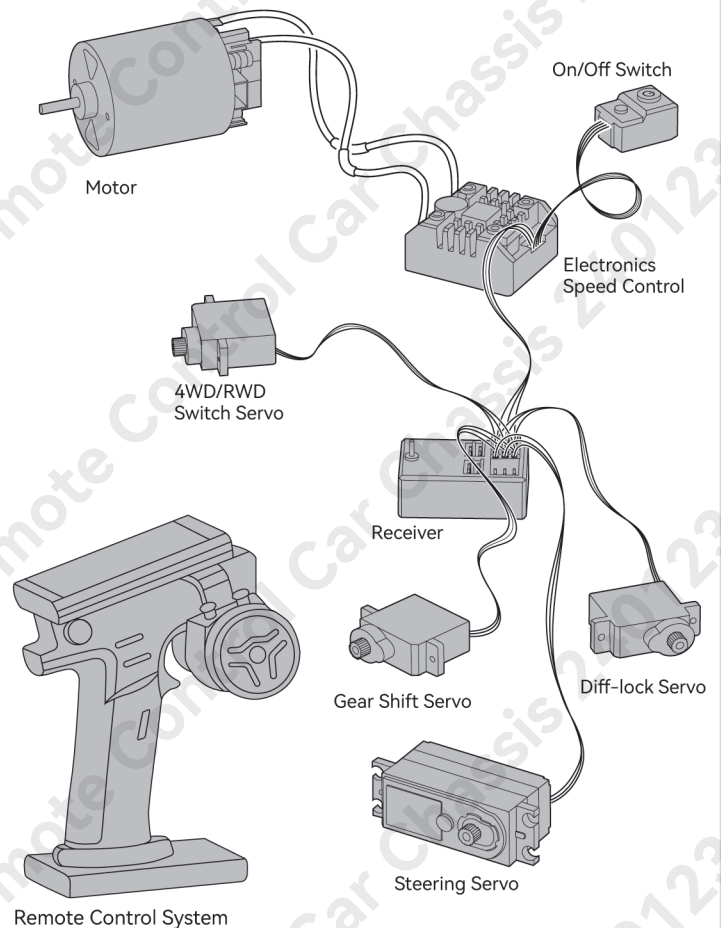
### Radio Control System

You will need 6-channel radio system with four servos, a Motor/ESC 2in1, a receiver.



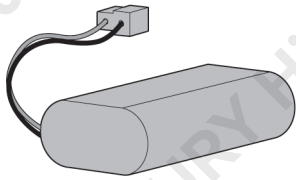
### Radio Control System

You will need 6-channel radio system with four servos, a 540 motor, a electronics speed control.

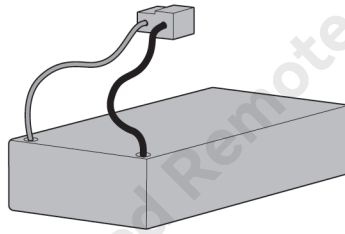


## Battery

Maximum Size: 93mmx44mmx18.5mm

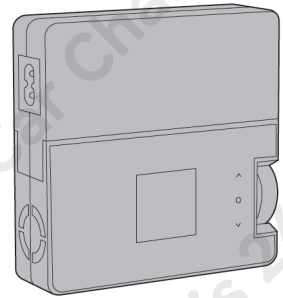


Li-Lon Battery 2S/7.4V



LiPo Battery 2S/7.4V

## Charger

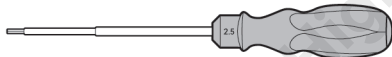


## Tools Recommended

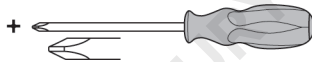
Allen Wrench 1.5mm



Allen Wrench 2.5mm



Screwdriver (large)



Screwdriver (small)



Screwdriver (small)



Tweezers



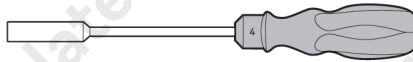
Socket Driver 2.0mm



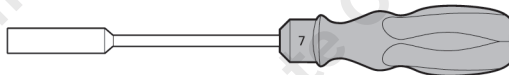
Socket Driver 3.0mm



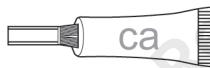
Socket Driver 4.0mm



Socket Driver 7.0mm



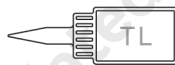
Plastic Cement



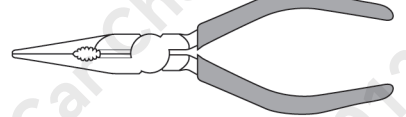
Apply Grease



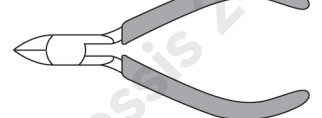
Apply Threadlock



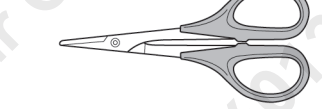
Long Nose Pliers



Side Cutters



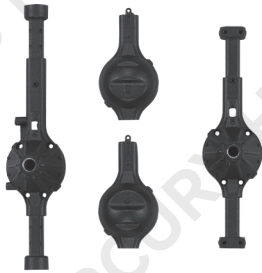
Curve Scissors



Modeling Knife



## ALUMINIUM ALLOY UPGRADE PARTS



**48777**  
Front/ Rear Axle Upgrade Sets  
Aluminium alloy



**48779**  
Frame Upgrade Sets  
Aluminium alloy  
Fit for KB#48780 MERCURY Chassis



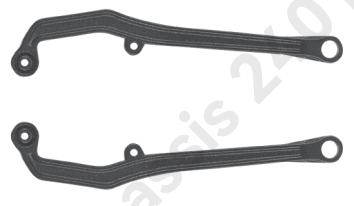
**48811**  
Frame Upgrade Sets  
Aluminium alloy  
Fit for KB#48760 MERCURY Chassis



**48809**  
Steering Knuckle Upgrade Sets  
Aluminium alloy



**48810**  
Suspension Loop Upgrade Sets  
Aluminium alloy



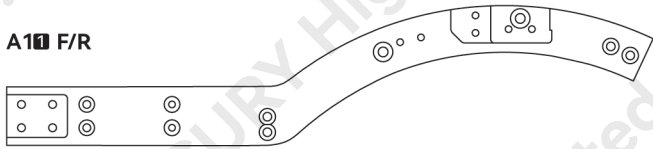
**48808**  
Control Arm Upgrade Sets  
Aluminium alloy

# PARTS REFERENCE

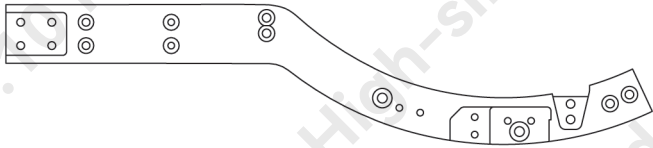
## A Chassis Frame Kit

### A1 Side Member

A1 1 F/R



A1 2 F/L



### A3 Side Adjustable Extension Sections

A3 1 x2

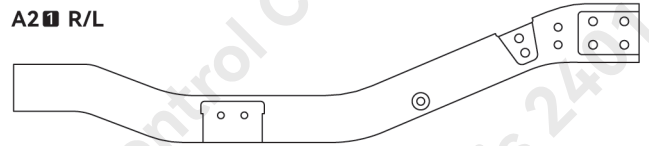


A3 2 x2

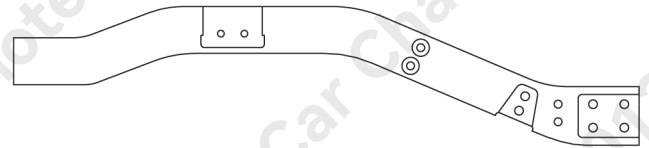


### A2 Side Member

A2 1 R/L



A2 2 R/R



A2-1 1



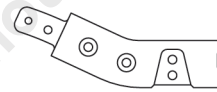
A2-1 2



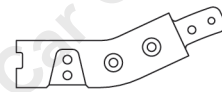
### A4 Side Member Part

Side Member Part for 48780

A4 1



A4 2



Side Member Part for 48760

A4 3



A4 4



A4 5 x2



## B Fuel Tank and Chassis Beam Kit

### B1 Cross Member

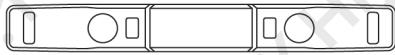
B1 1



B1 2



B1 3



B1 4



B1 5



B1 6

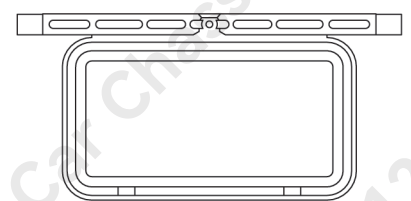
Front Axle Collision Beam



### B2 Fuel Tank

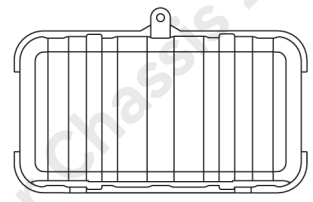
B2 1

Lower Part of Fuel Tank



B2 2

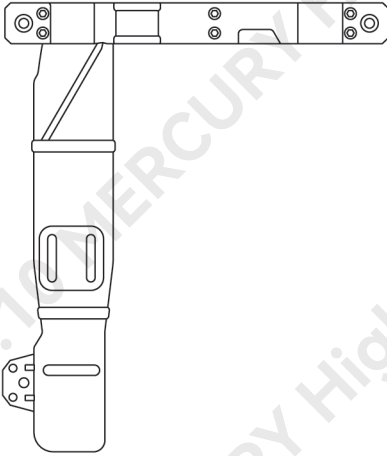
Upper Part of Fuel Tank



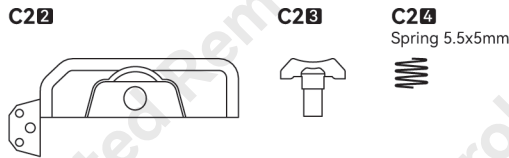
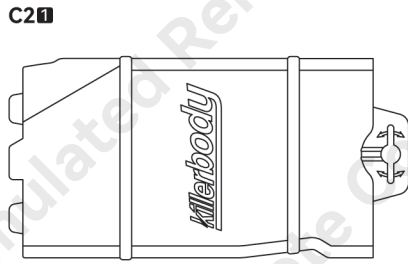
# PARTS REFERENCE

## C Battery Compartment Shell Kit

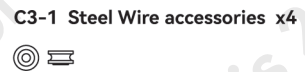
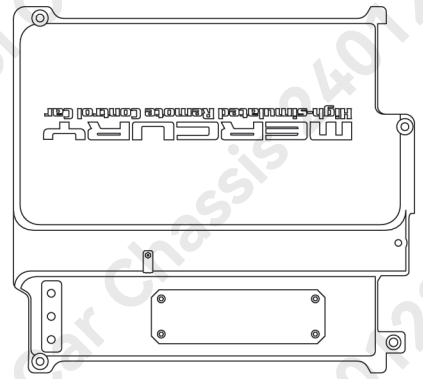
C1 Differential Lock Servo Bracket



C2 Lower Part of Battery Box

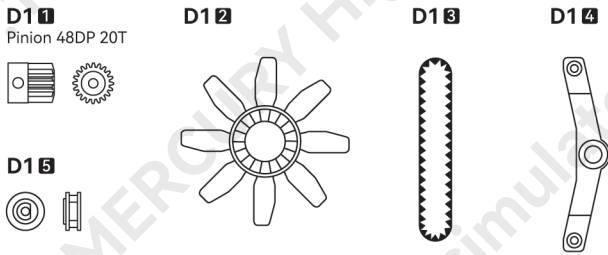


C3 Upper Part of Battery Box

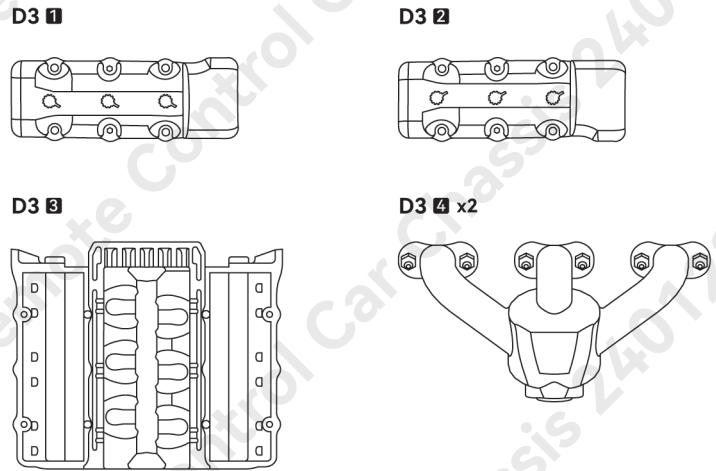


## D Engine and Transmission Housing Set

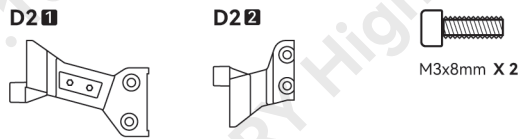
D1 Motor Gear



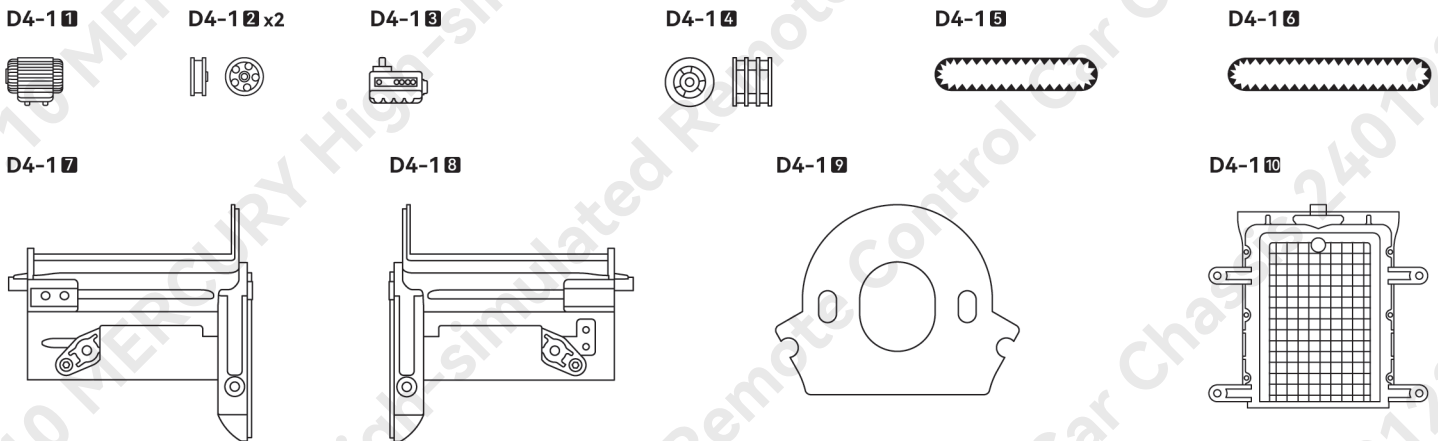
D3 Cylinder Cover



D2 Engine Mount



D4 Engine and Transmission Housing Set



# PARTS REFERENCE

**D4-2 1** **D4-2 2** **D4-2 3** **D4-2 4** **D4-2 5** **D4-2 6** **D4-2 7** **D4-2 8**

**D4-2 9** **D4-2 10** **D4-2 11** **D4-2 12**

56T Spur Gear  
E2 e-clip x8  
E2 e-clip x8  
E2 e-clip x8  
E3.5 e-clip x3  
Bearing 5x9x3mm

**D4-3 1** **D4-3 2** **D4-3 3** **D4-3 4** **D4-3 5** **D4-3 6** **D4-3 7**

Bearing 4x7x2.5mm x12  
Copper Bushing 4x7x2mm x7  
Plastic Ring 4x5.5x5mm x2  
18T Drive Gear x2  
30T Drive Gear x2  
30T/18T Drive Gear x4  
Pin 1.5x6mm x2

**D4-3 8** **D4-3 9** **D4-3 10** **D4-3 11** **D4-3 12** **D4-3 13**

Drive Gear Shaft 4x73mm  
Drive Gear Shaft 4x50.5mm

**D4-3 14** **D4-3 15** **D4-3 16** **D4-3 17**

Drive Gear Shaft 4x69mm  
Drive Shaft 2.5x55mm

**D4-4 1** **D4-4 2** **D4-4 3 x2** **D4-4 4** **D4-4 5** **D4-4 6**

Pin 1.5x8mm  
Shaft 15.5x4mm  
Drive Gear Shaft 4x21mm  
Shaft 2.5x25mm

**D4-4 7** **D4-4 8** **D4-4 9** **D4-4 10**

22T Drive Gear x2  
25T Drive Gear x2

## **E** Exhaust Pipe Kit

### E1 Exhaust Pipe & Muffler

**E1 1** **E1 2** **E1 3** **E1 4** **E1 5**

Exhaust Pipe Tip for 48780  
Muffler  
Exhaust Pipe A for 48780  
Exhaust Pipe B for 48760

### E2 Exhaust Manifold

**E1-1 1** for 48760 x2 **E2 1** **E2 2**

**E1-1 2** for 48780

# PARTS REFERENCE

## F Axle Set

### F1 Differential Lock

**F11**  
Length 120mm  $\Phi$ 2mm



**F12**  
Length 100mm  $\Phi$ 2mm x2



**F13**  
Length 45mm  $\Phi$ 2mm



**F14**  
Length 75mm  $\Phi$ 2mm



**F15**



**F16**  
Length 260mm  $\Phi$ 1mm

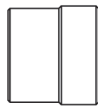


**F17**  
Length 350mm  $\Phi$ 1mm

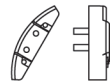


### F2 Wheel Hub

**F21** x4

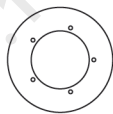


**F22** x4



### F3 Front Axle Assembly

**F31** x4



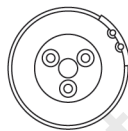
**F32** x4



**F33**  
Pin 1.5x9mm x4



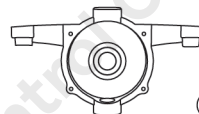
**F34** x4



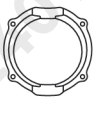
**F35**  
Copper Bushing 4x7x1.5mm x6



**F36** x2



**F37** x2



**F38**  
Copper Bushing 2.5x4.5x4mm x4



**F39**  
Solid Axle 4x83mm



**F310**  
Pin 1.5x6mm x4



**F311** x2



**F312**  
Bearing 4x7x2mm x6



**F313**  
Spring 15x6mm x2



**F314**  
Washer 4x6mm x2



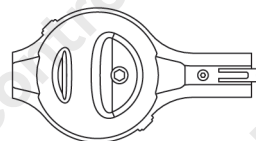
**F315** x2



**F316**  
Solid Axle 4x101mm



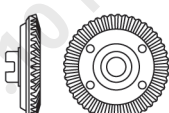
**F317**



**F318**  
Bearing 8x12x3.5mm x4



**F319**  
Bevel Gear 45T X2



**F320** x4



**F321**  
20T Bevel Gear X4



**F322**  
15T Bevel Gear X4



**F323**  
Shaft 2x16mm x2



**F324** x2



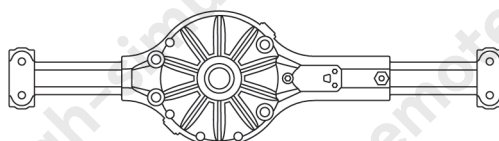
**F325** x2



**F326** x2



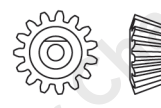
**F327**



**F328** x2



**F329**  
15T Bevel Gear X2



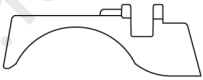
**F330** x2  
Shaft 4x20.6mm



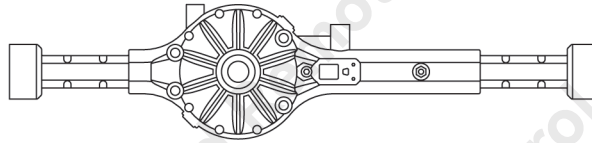
# PARTS REFERENCE

## F4 Rear Axle Assembly

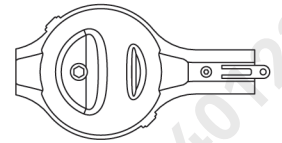
**F4 1**



**F4 2**



**F4 3**



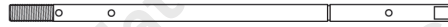
**F4 4**

Solid Axle 4x74mm



**F4 5**

Solid Axle 4x105.5mm



## G Suspension System Package

### G1 Control Arm Set

**G1 1**

Lower Control Arm (L)



**G1 2** x11



**G1-1 1**

Axle Mounting Bracket x2



**G1-2**

Spring



**G1-2 1**  
C-shaped ring x4

**G1-2 2**  
Base x2



**G1-2 3** x2

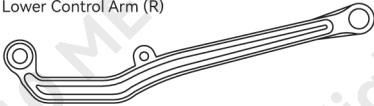


**G1-2 4** x2



**G1 3**

Lower Control Arm (R)



**G1-2 5**

Spring 10x56mm x4



**G1-2 6** x2

Spring 10x61mm x4



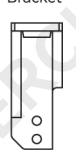
**G1-3**

Shock Absorber bracket

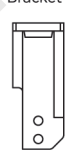
**G1-3 1**



**G1-3 2**



**G1-3 3**



**G1-3 4**



**G1-4**

Shock Absorber

**G1-4 1** x2



**G1-4 2** x2



**G1-4-1**

Washer 2.5x6x0.4mm x2



**G1-5**

Limit Strap Length 53mm x2



### G2 Leaf Springs Set

**G2 1** (L)



**G2 2** x2



**G2 3** x2



**G2 4** x2



**G2-1**

Leaf Spring accessory

**G2-1 1** x6



**G2-1 2** x2



**G2-1-1**

U-bolt x4



**G2 5** (R)



### G3 Drive shaft

**G3 1**

Front Center Shaft Set A  
5.2x39mm



**G3 2**

Front Center Shaft Set B  
7.5x40mm



**G3 3**

Rear Center Shaft Set A  
5.2x67mm



**G3 4**

Rear Center Shaft Set B  
7.5x140mm



**G3-1**

M2 half thread x6



# PARTS REFERENCE

## G4 Spring Hanger x9



## G5 Tie-rod Set

**G5 1**  
Steering Linkage 3.5x140mm



**G5 4**  
Steering Tie-rod 3.5x140mm



**G5 2** x2



**G5 3**  
Panhard Bar 3.5x140mm



**G5 5** x2



**G5 6**



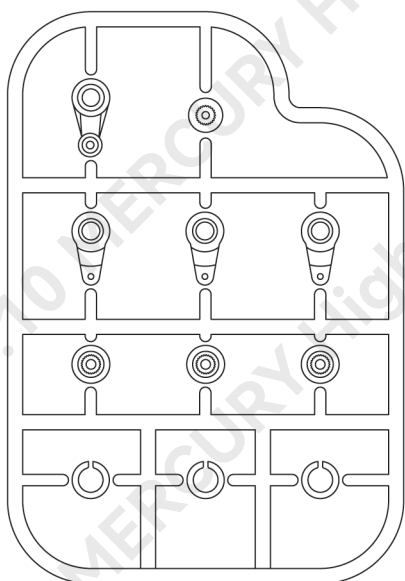
**G5 7**



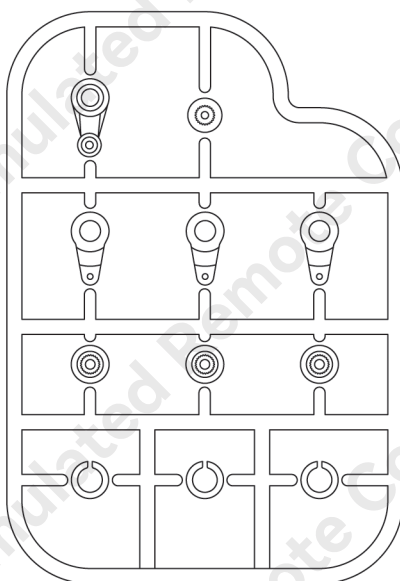
## **H** Steering Server Support Package

### H1 Servo Saver A

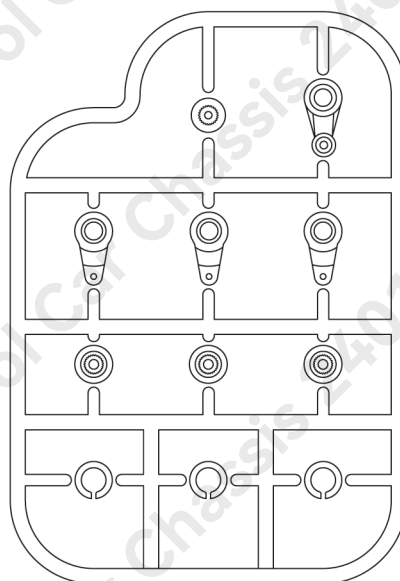
**H1 1**



**H1 2**



**H1 3**



**H1-1**  
Gasket Clip Rings

**H1-1 1**  
Gasket  
2.5x6x0.4mm x4



**H1-1 2**  
Snap Ring  
10x1mm x8

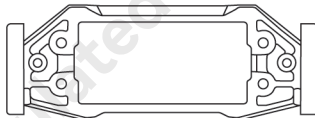


**H1-1 3** x2  
Spring  
8x5.4mm x2

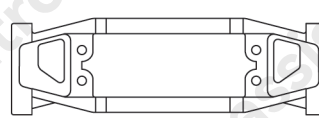


### H2 Servo Mount

**H2 1**



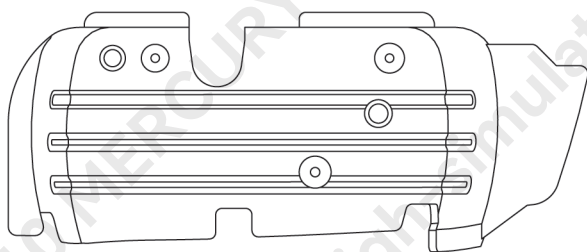
**H2 2**



## **I** Liners Fender Flares and Carriage Installation Fixing Point

### I1 Liners Fender Flares

**I1 1** (L)



**I1 2**

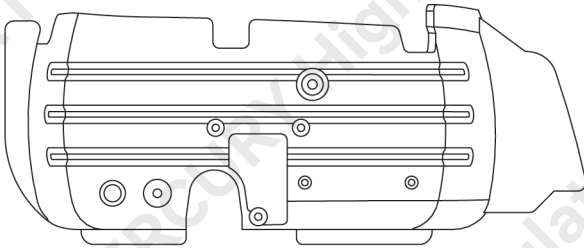


**I1 3**



# PARTS REFERENCE

**I1 4 (R)**

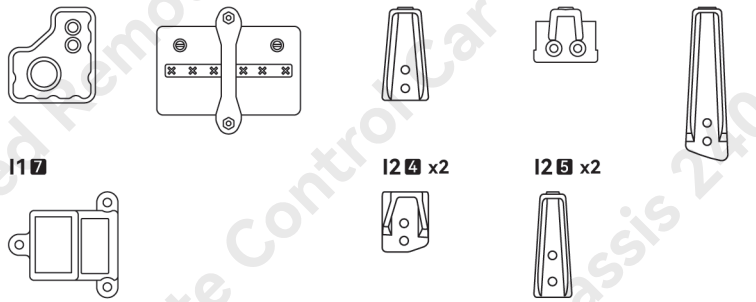


**I15** **I16** **I17**

**I2 Carriage Installation Fixing Point**

**I2 1 x2** **I2 2 x2** **I2 3 x2**

**I2 4 x2** **I2 5 x2**



**J Wheel kit**

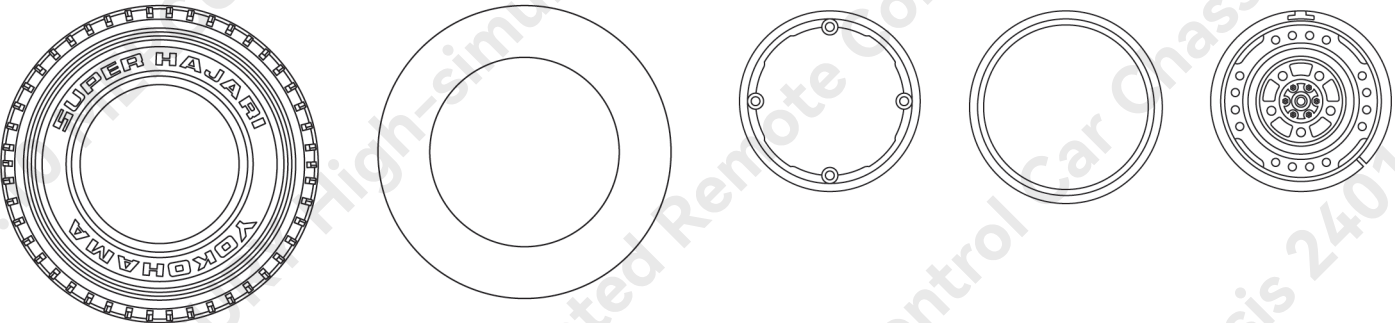
**J1 Tyre**

**J1 1 x4**  
3.35 inch

**J1 2 x4**  
Sponge

**J2 Rim**  
Aluminum Alloy Wheel 1.68 inch

**J2 1 x4** **J2 2 x4** **J2 3 x4**



**K Screw and Tool Set**

**K1 Screw**

M2x6mm X 20

M2x8mm X 52

M2x10mm X 30

M2x12mm X 36

M2.5x10mm X 4

M2.5x7mm X 3

M1.6x6mm X 8

M2x6mm X 15

M2x6mm X 20  
Outer HEX

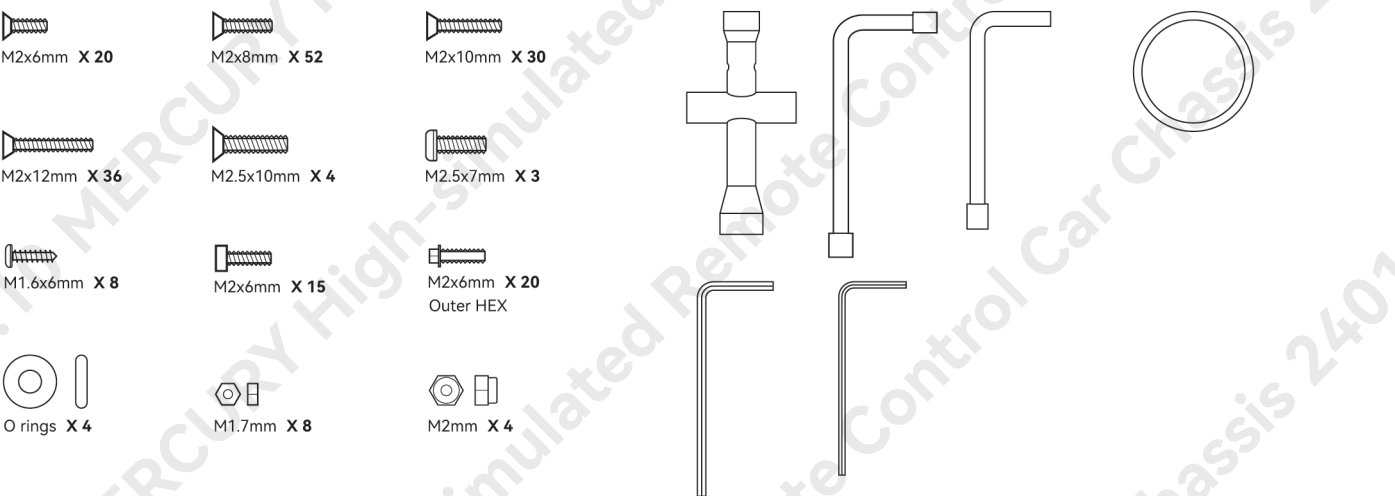
**K2 Toolkit**

**K3 Diff Fluid (50W)**

O rings X 4




M1.7mm X 8

M2mm X 4

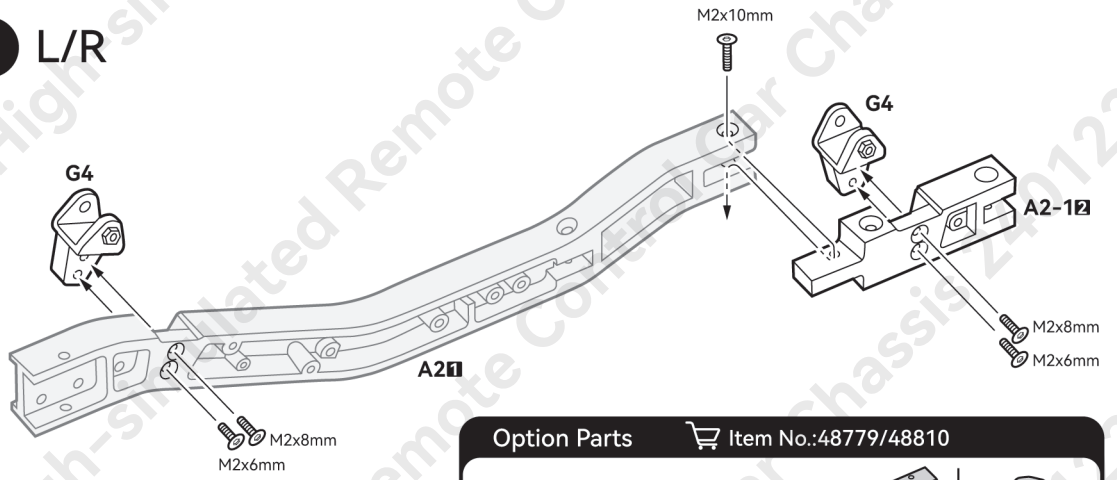



# INSTALL

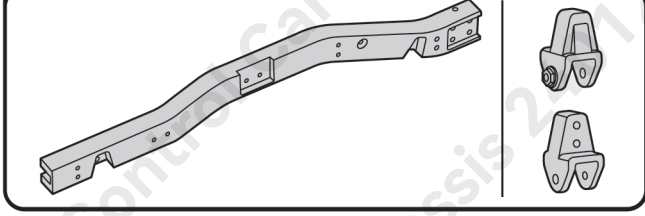
**A** 1 ~ 3  
Open Bag A




-  M2x6mm X 4
-  M2x8mm X 4
-  M2x10mm X 2

## 1 L/R

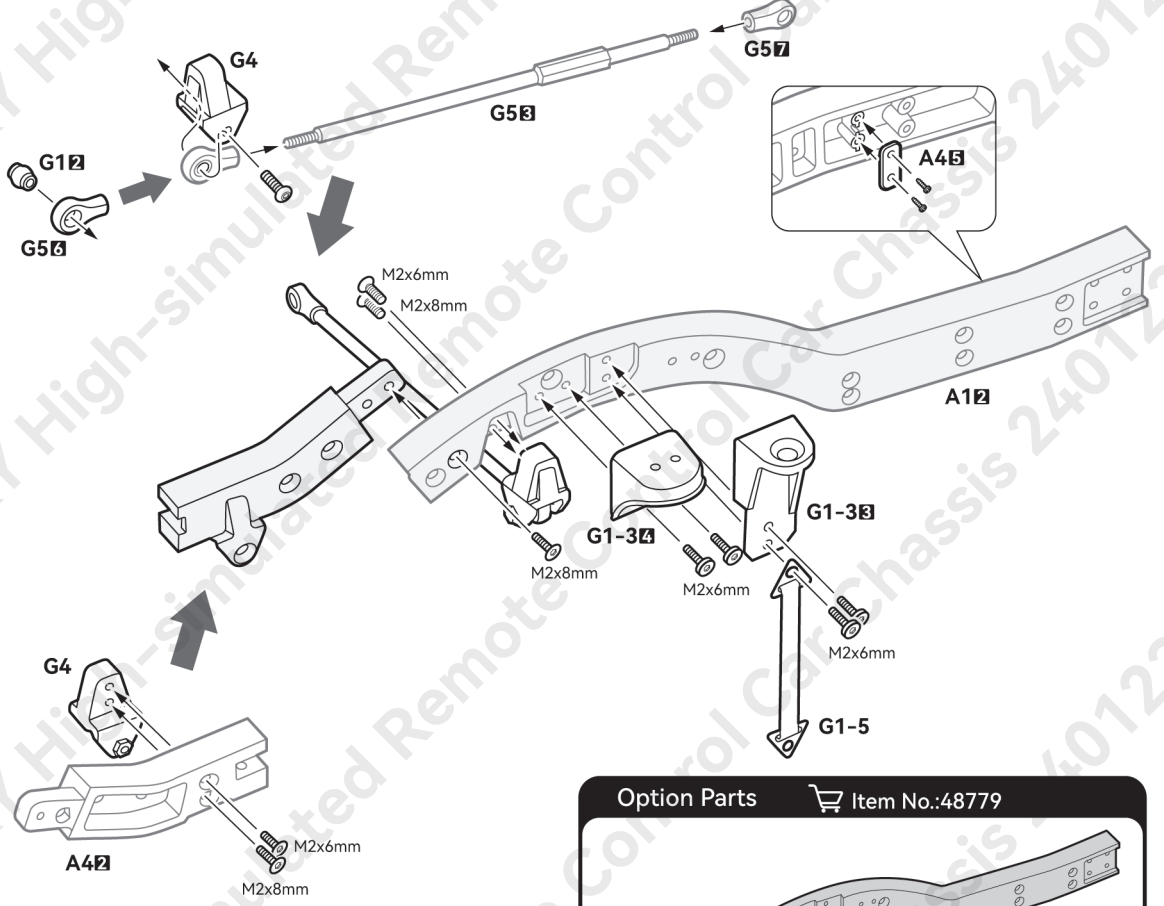



Option Parts  Item No.:48779/48810

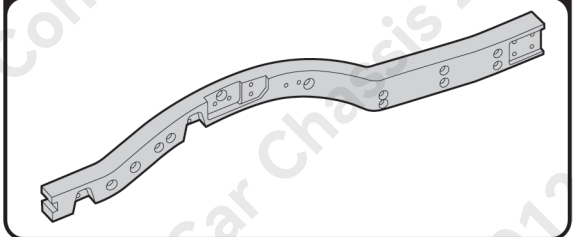





-  M2x6mm X 2
-  M2x8mm X 3
-  M2x6mm X 4

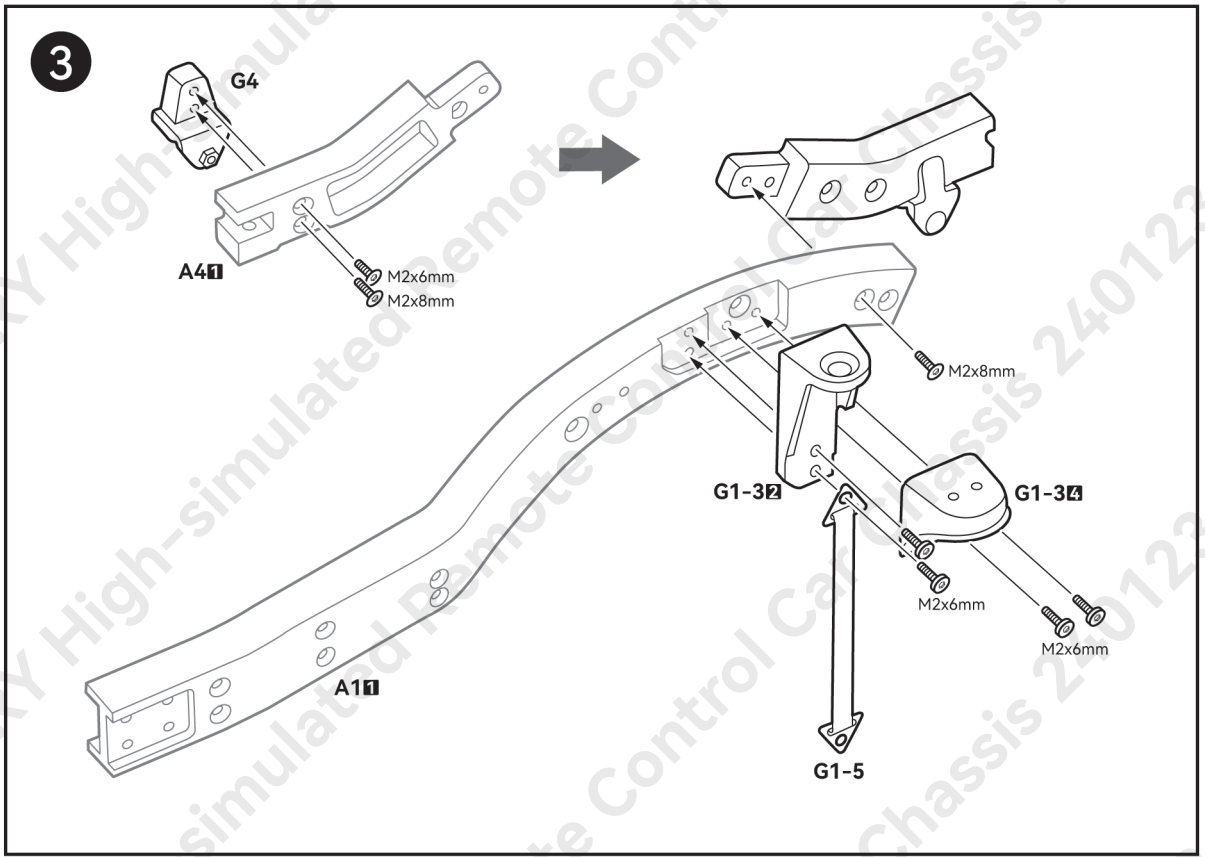
## 2 Assembly was completed before delivery for G4 G12 G5B67, this step is shown for easy maintenance!






Option Parts  Item No.:48779

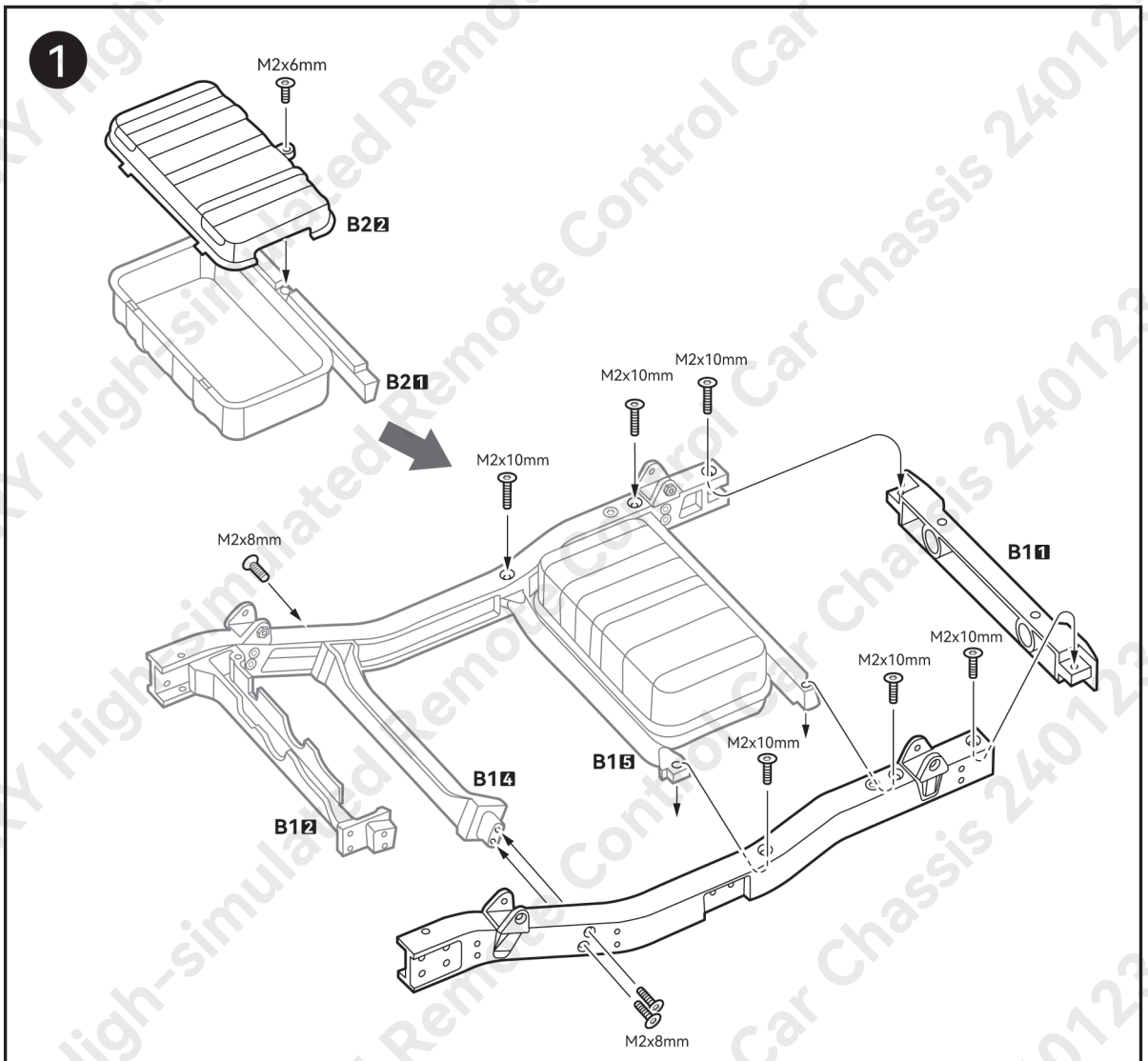


-  M2x6mm X1
-  M2x8mm X2
-  M2x6mm X4






**B** **1** Open Bag B

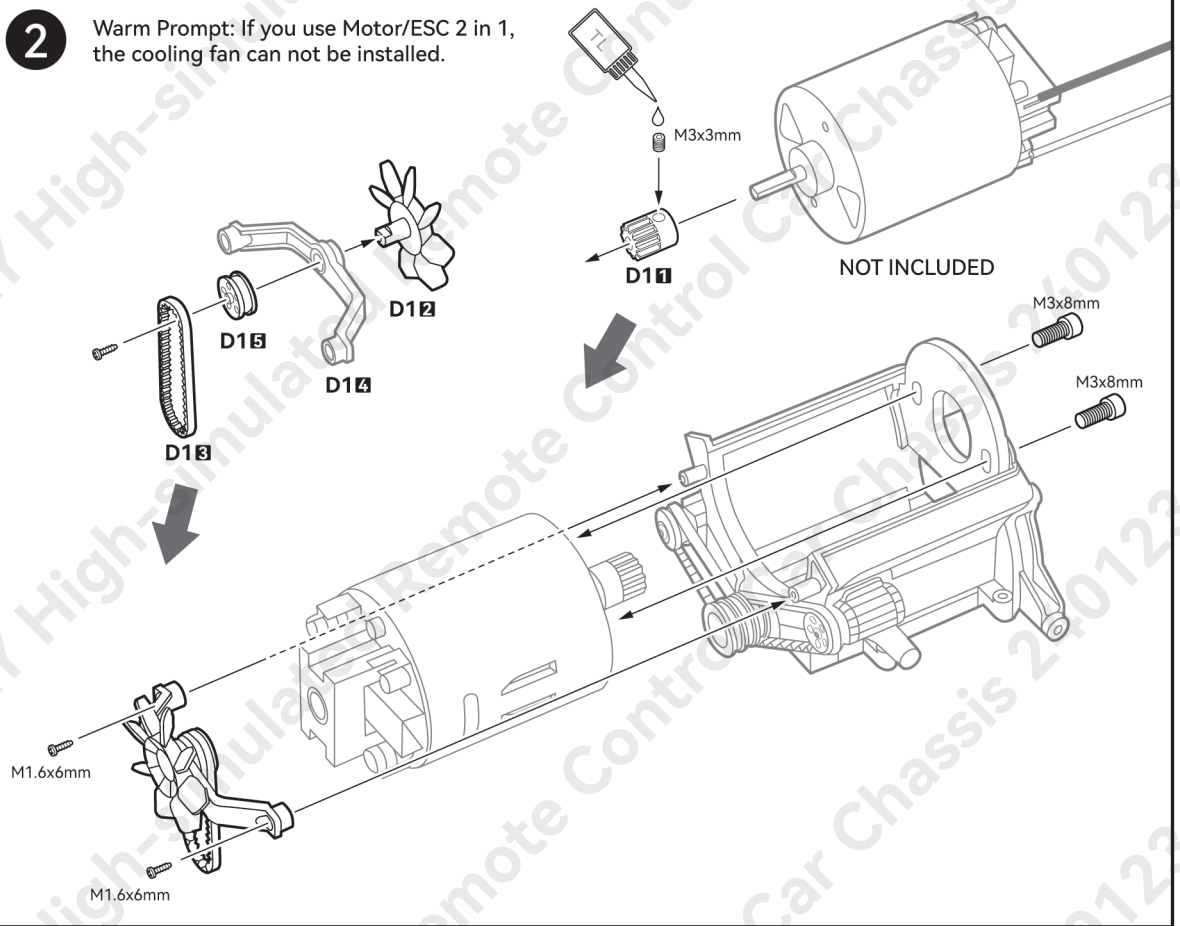
-  M2x6mm X1
-  M2x8mm X3
-  M2x10mm X6






-  M1.6x6mm X 2
-  M3x8mm X 2
-  M3x3mm X 1

**2** Warm Prompt: If you use Motor/ESC 2 in 1, the cooling fan can not be installed.



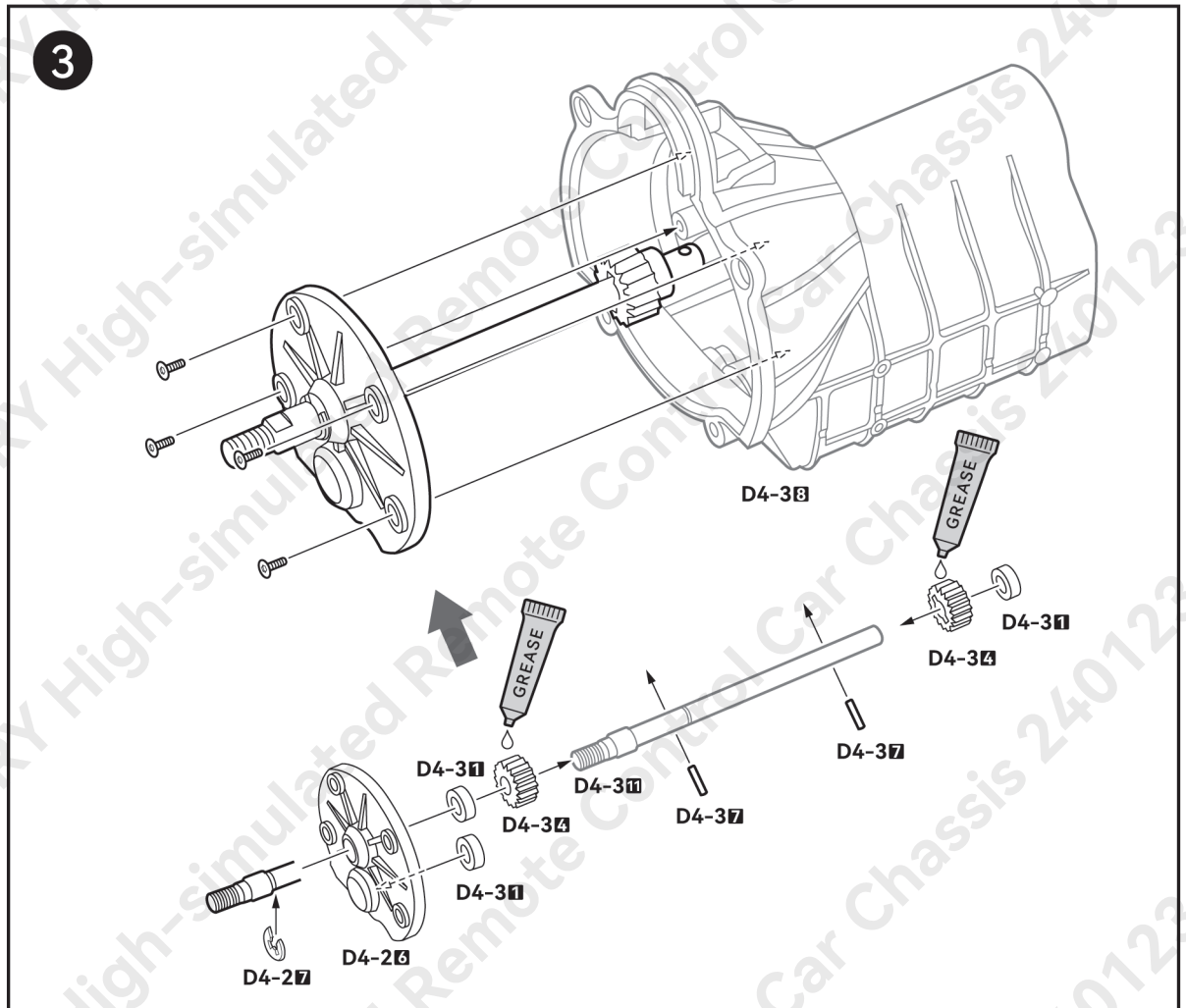
-  **D4-2 7**  
E3.5 e-clip x1

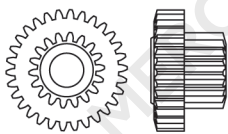
-  **D4-3 1**  
Bearing 4x7x2.5mm x3

-  **D4-3 4**  
18T Drive Gear x2

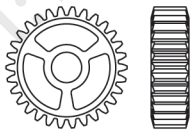
-  **D4-3 7**  
Pin 1.5x6mm x2

**3**





D4-3 6  
30T/18T Drive Gear x4



D4-3 6  
30T Drive Gear x2



D4-3 1  
Bearing 4x7x2.5mm x4



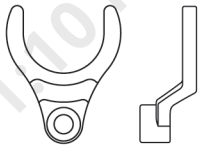
D4-2 12  
E2 e-clip x2



D4-3 2  
Copper bushing 4x7x2mm x6

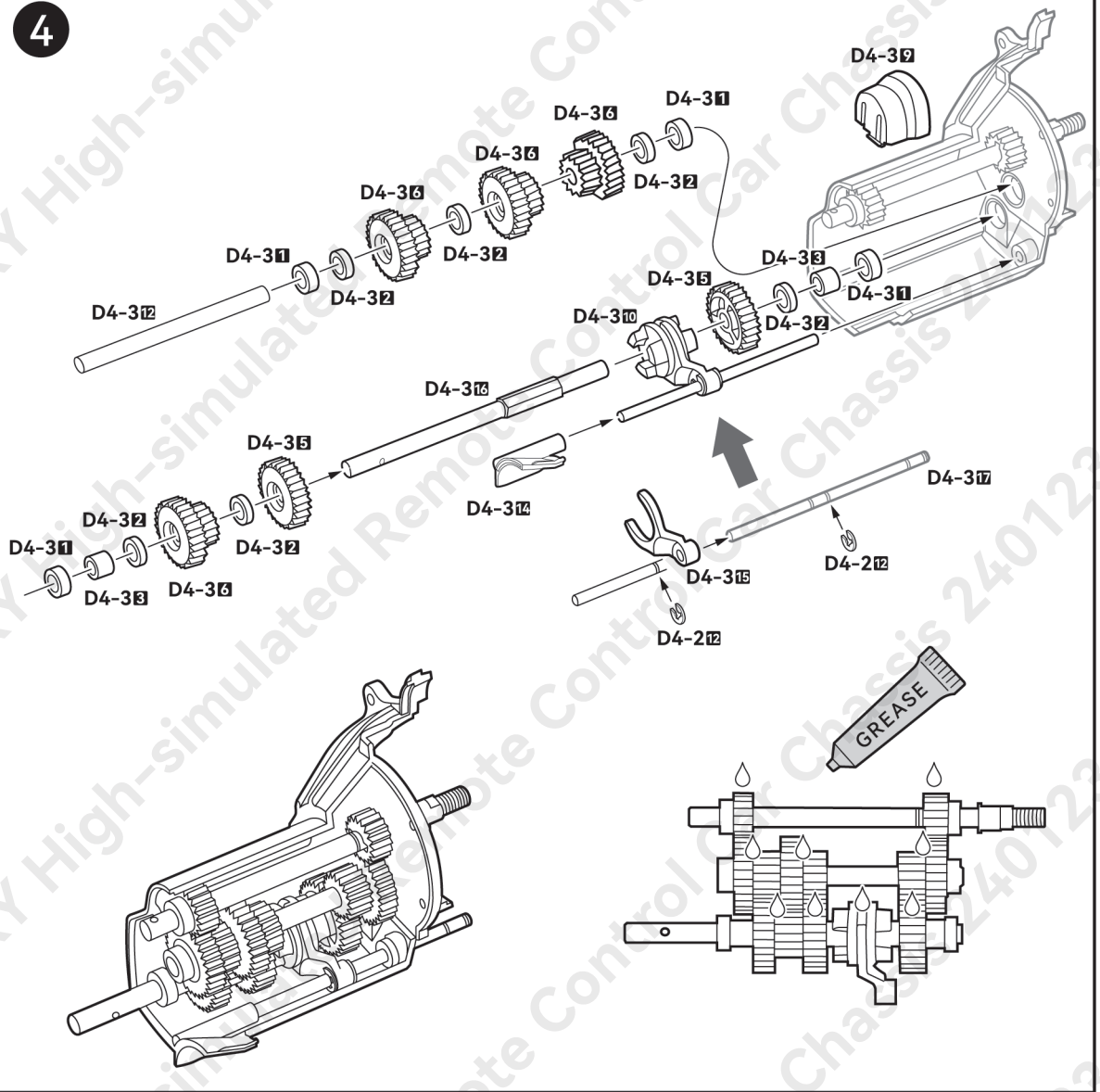


D4-3 8  
Plastic ring 4x5.5x5mm x2

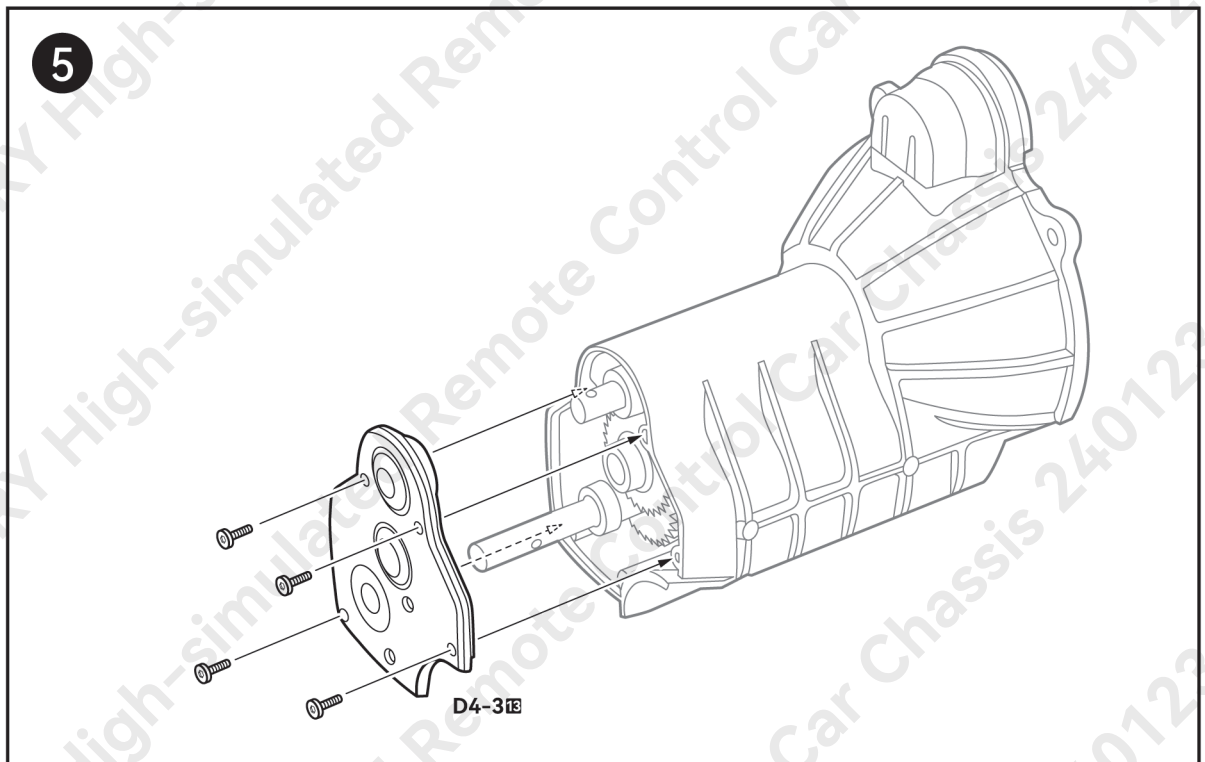


D4-3 16

4



5

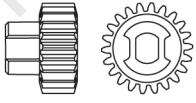




**D4-3 1**  
Bearing 4x7x2.5mm x6



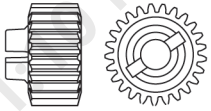
**D4-4 1**  
Pin 1.5x8mm



**D4-4 7**  
22T Drive Gear x2



**D4-4 2**  
Shaft 15.5x4mm



**D4-4 8**  
25T Drive Gear x2



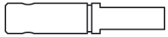
**D4-2 7**  
E3.5 e-clip x2



**D4-2 12**  
E2 e-clip x2



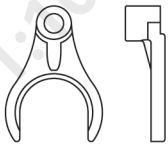
**D4-3 2**  
Copper bushing 4x7x2mm x2



**D4-4 8 x2**  
Drive gear shaft 4x21mm



**D4-4 4**  
Axle 2.5x25mm

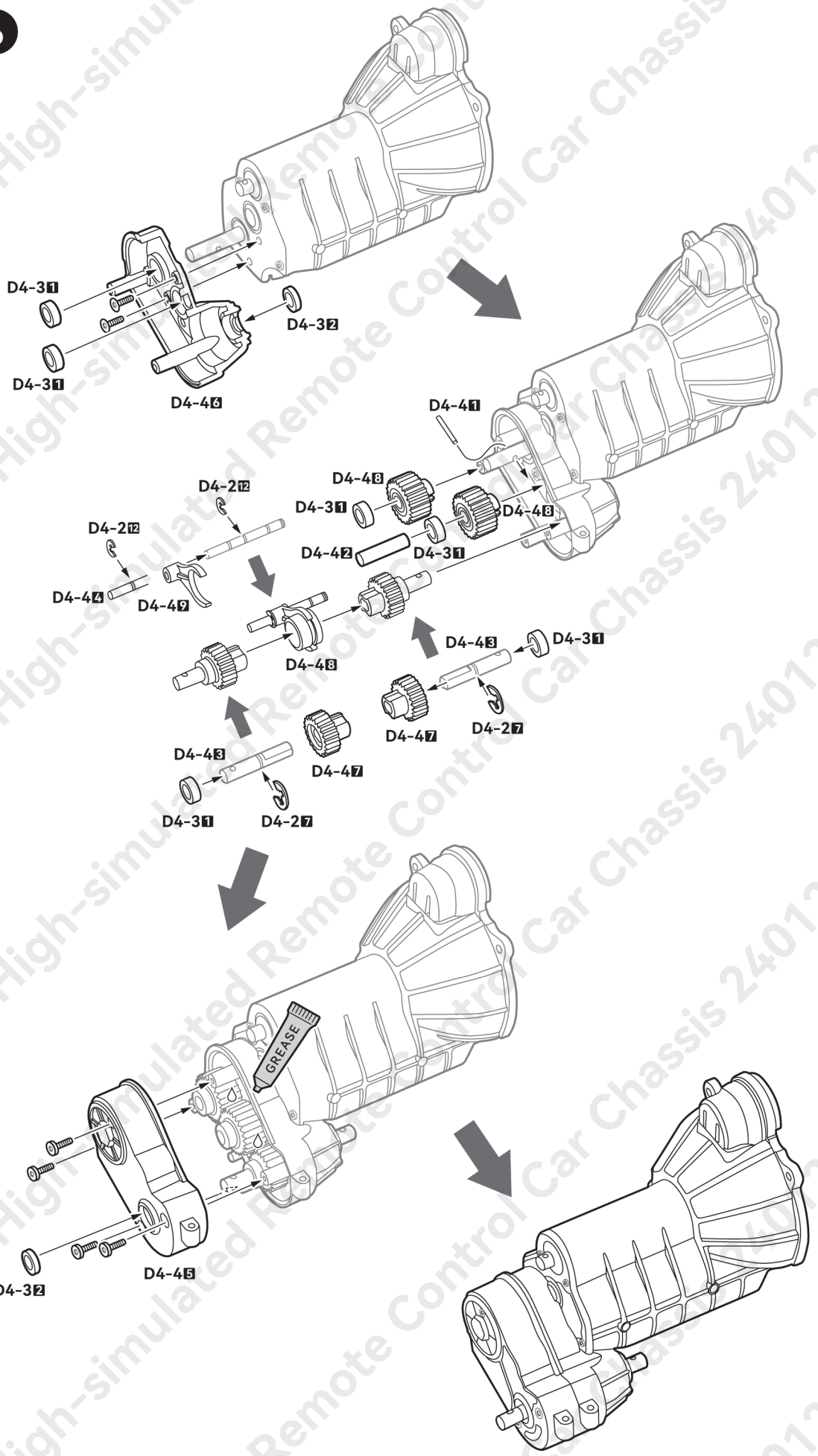


**D4-4 9**



**D4-4 10**

**6**

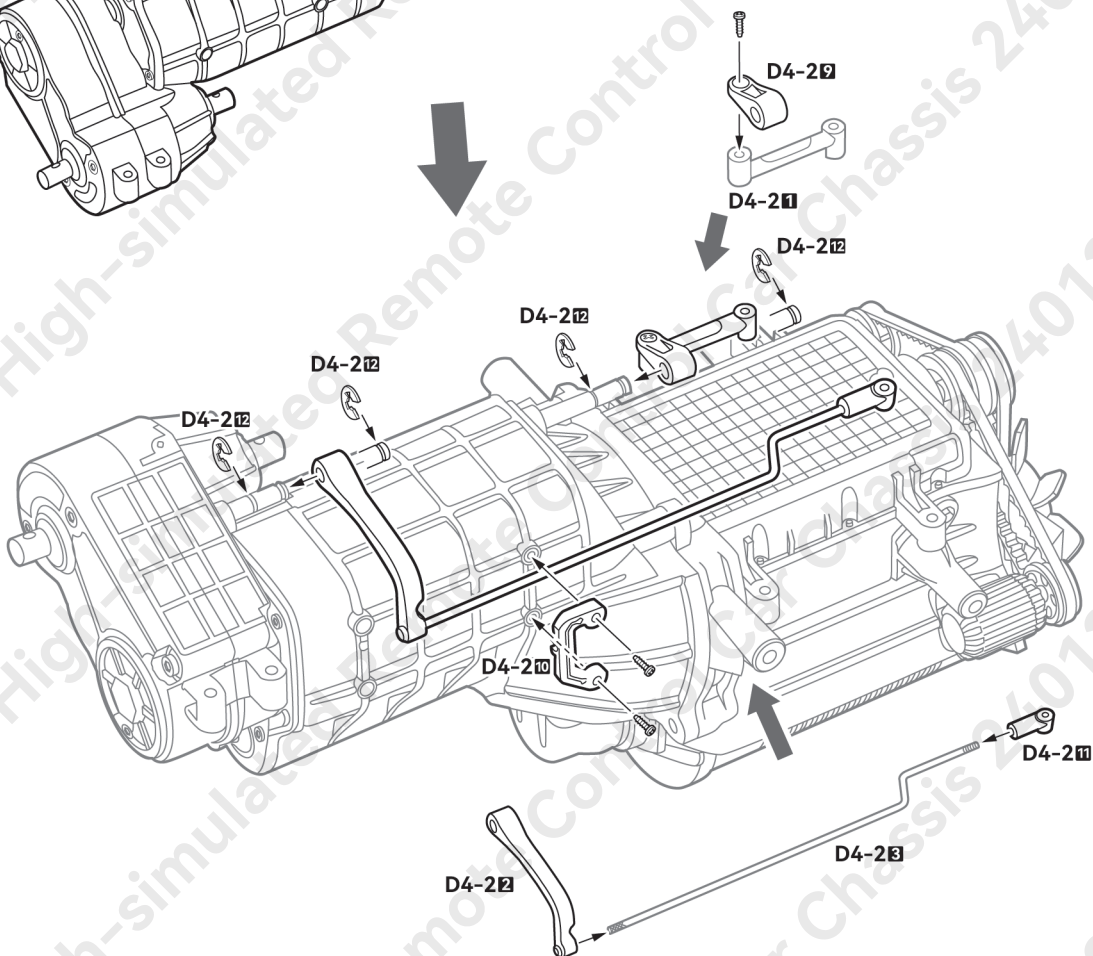
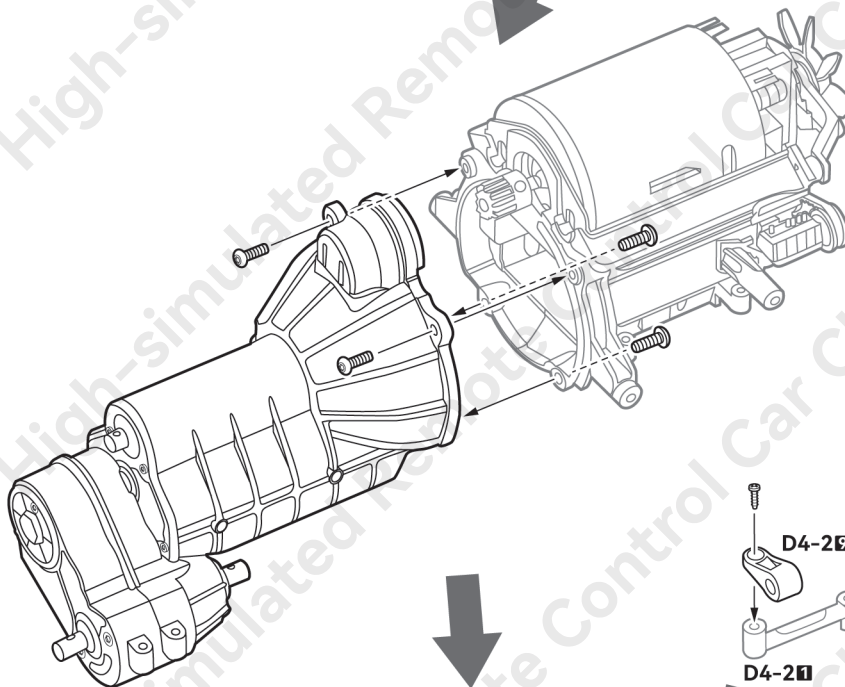
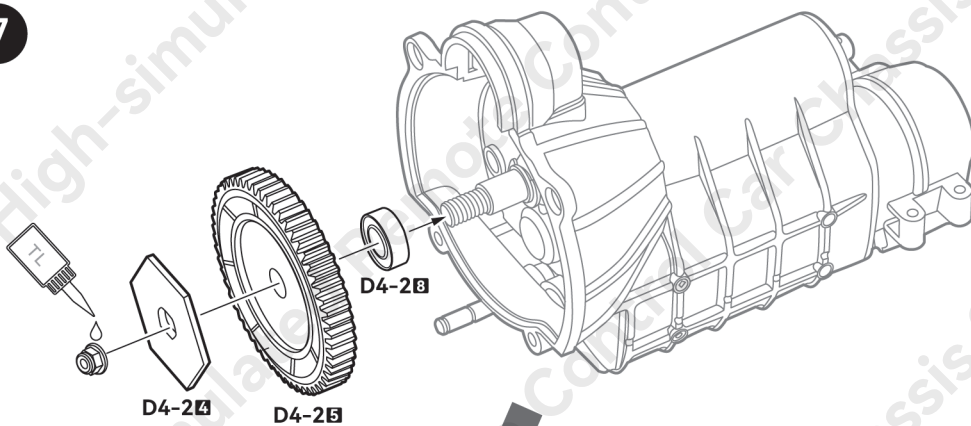






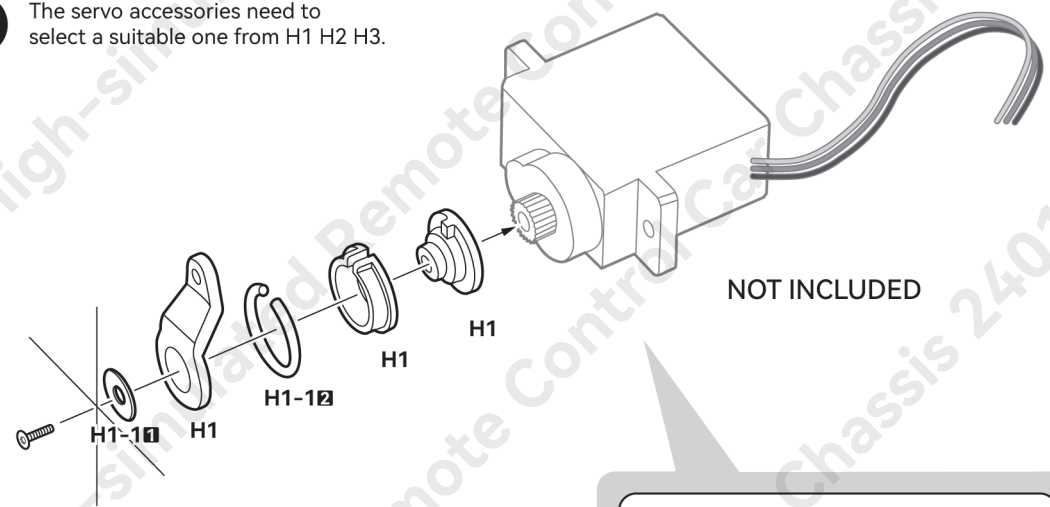
D4-2 8  
Bearing 5x9x3mm

7



D4-2 12  
E2 e-clip x4



**8** The servo accessories need to select a suitable one from H1 H2 H3.

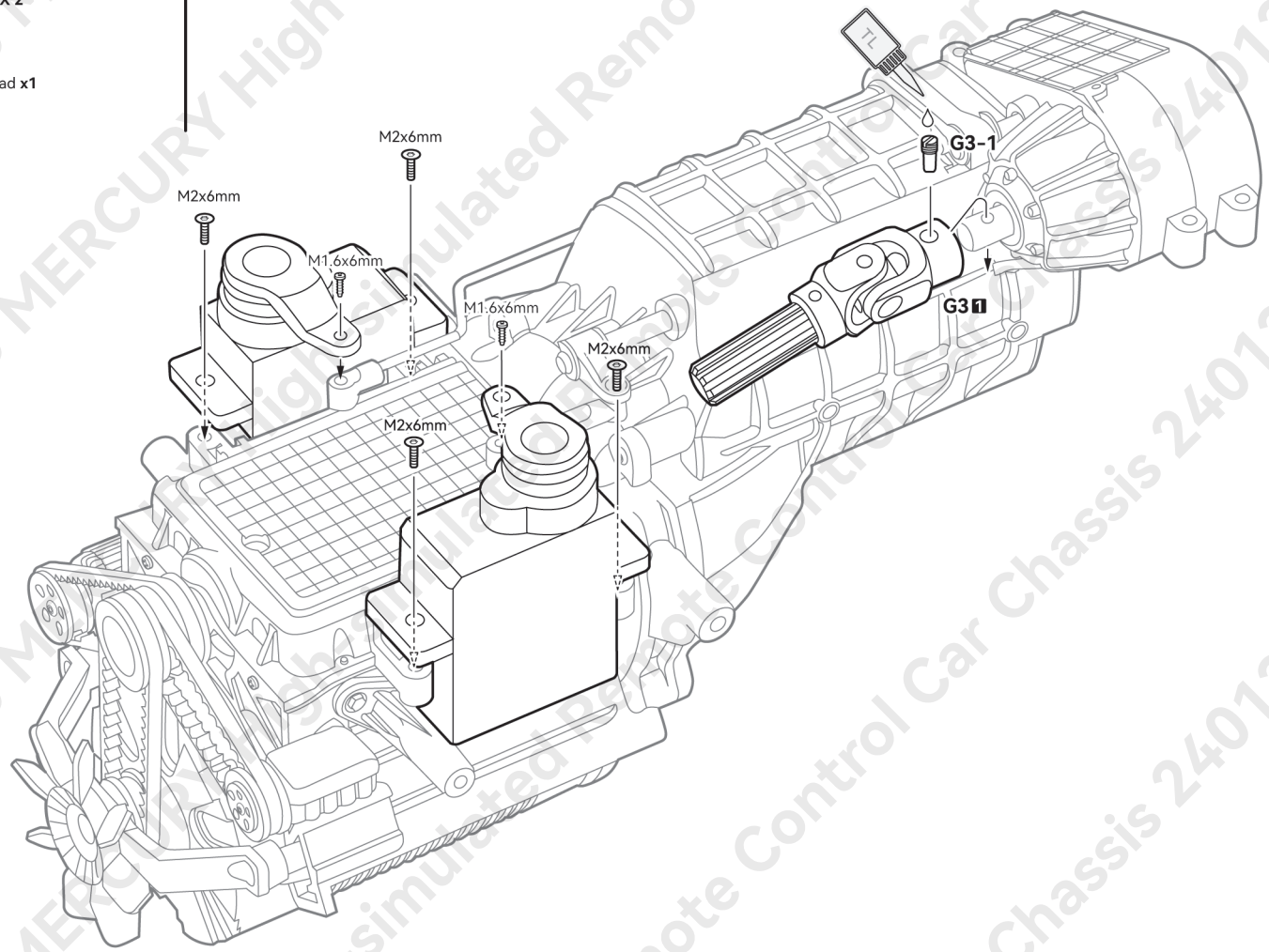


Size: 26mmx12mmx24mm  
 24mmx12.5mmx22.5mm  
 Torque: 4kg/2.2kg

Install when servo is in neutral position.

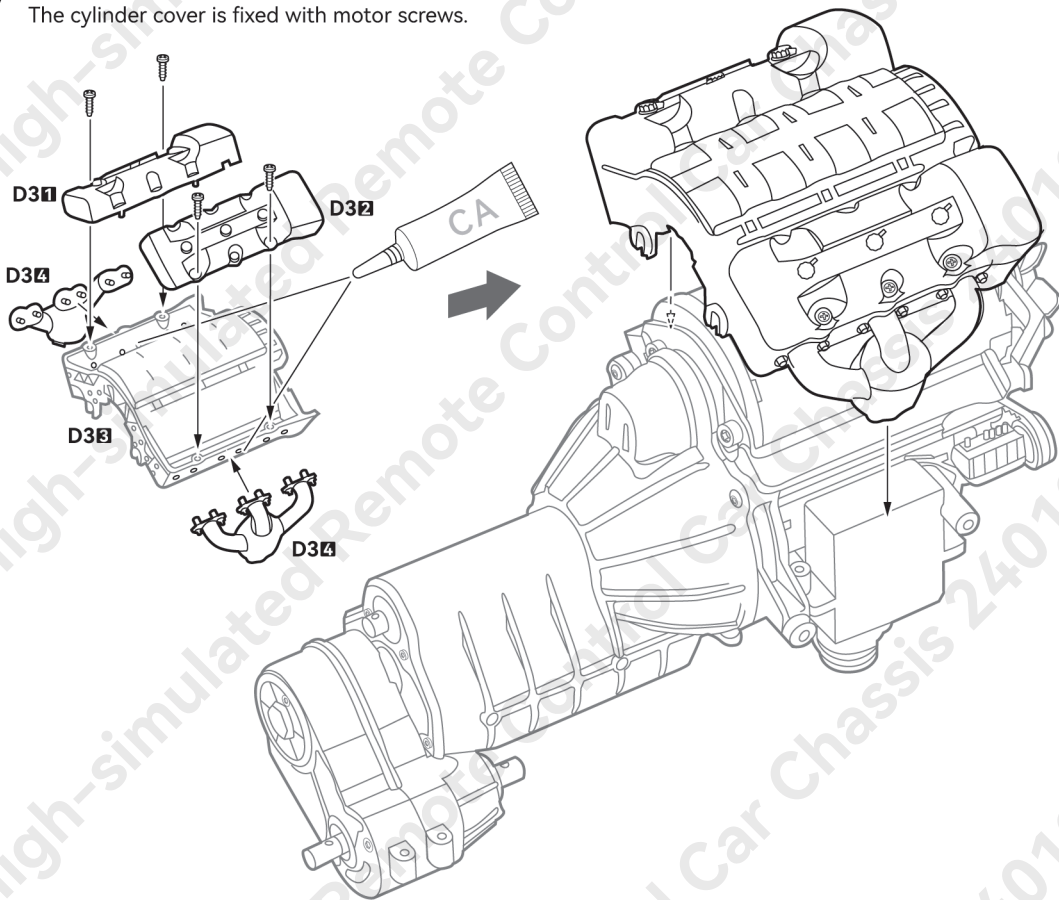
**9**

-  M2x6mm X 4
-  M1.6x6mm X 2
-  G3-1 M2 half thread x1


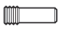


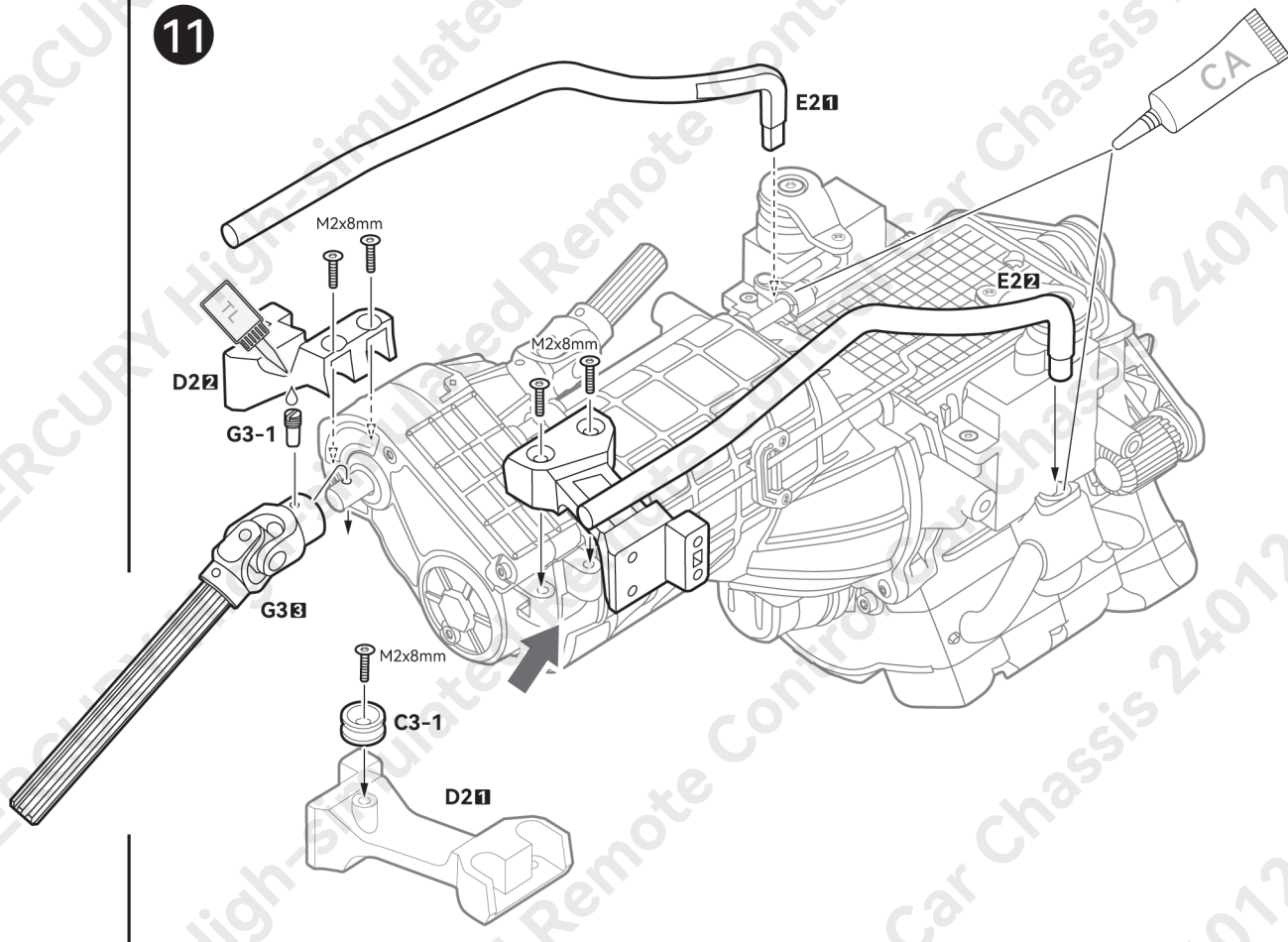
10

Assembly was completed before delivery for **D311284**, this step is shown for easy maintenance!  
The cylinder cover is fixed with motor screws.



11

-  M2x8mm X 5
-  G3-1  
M2 half thread x1



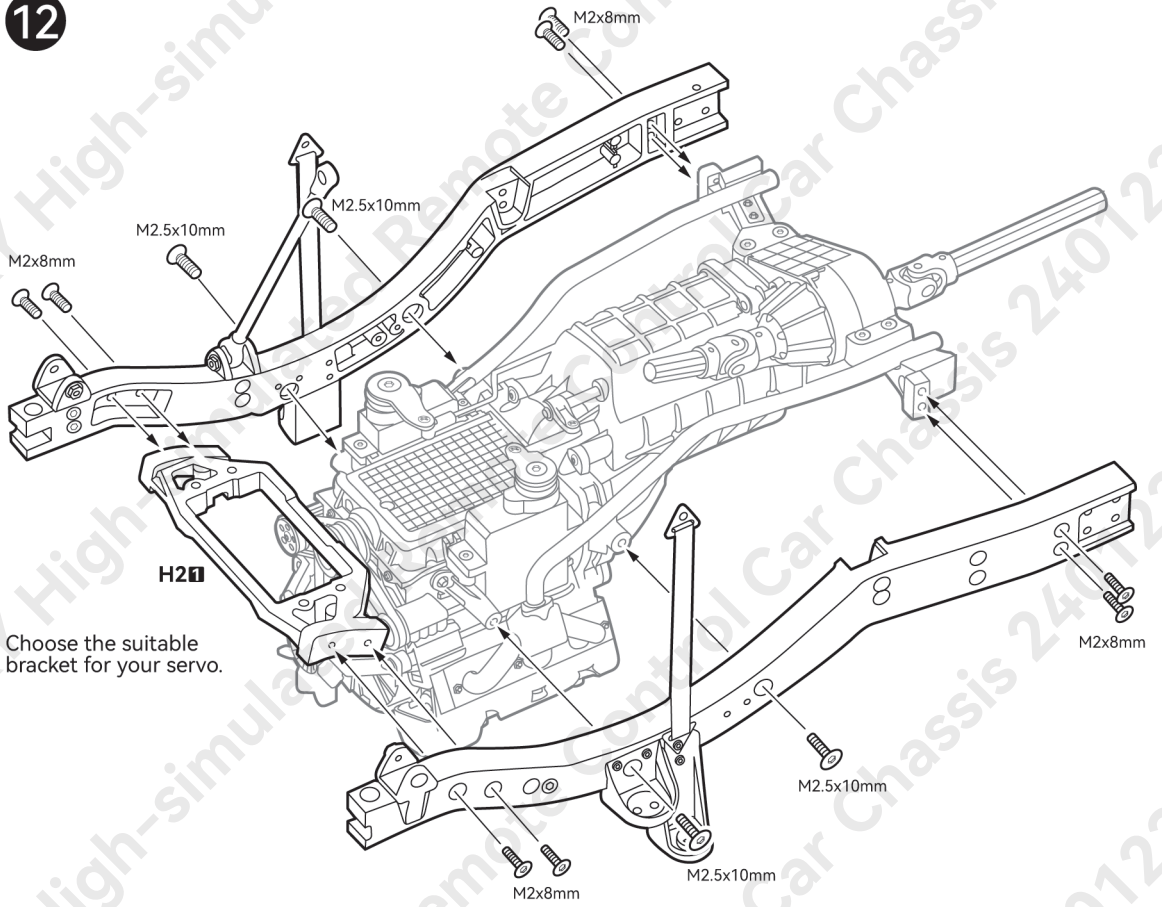


M2.5x10mm X 4



M2x8mm X 8

12

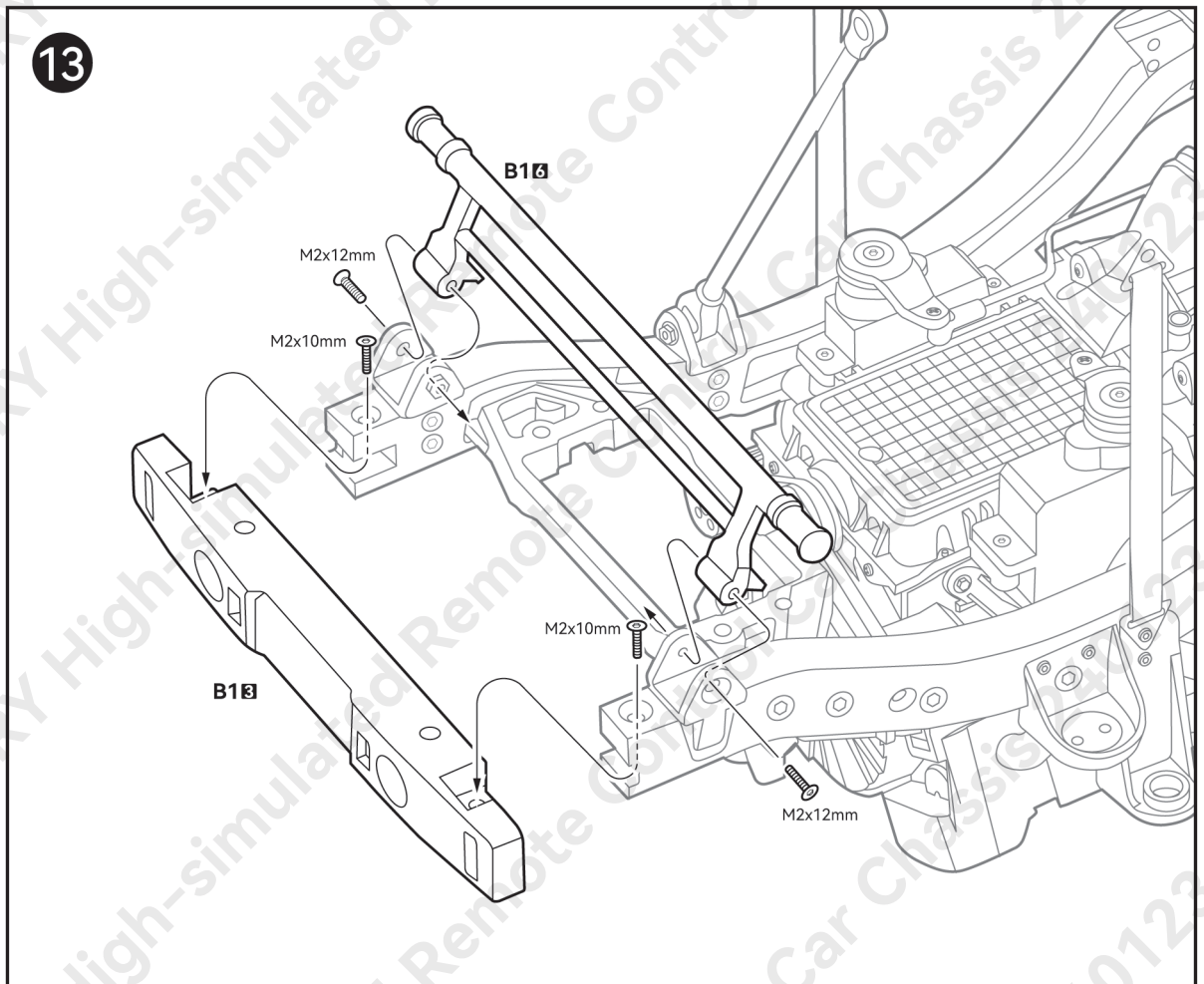


M2x10mm X 2

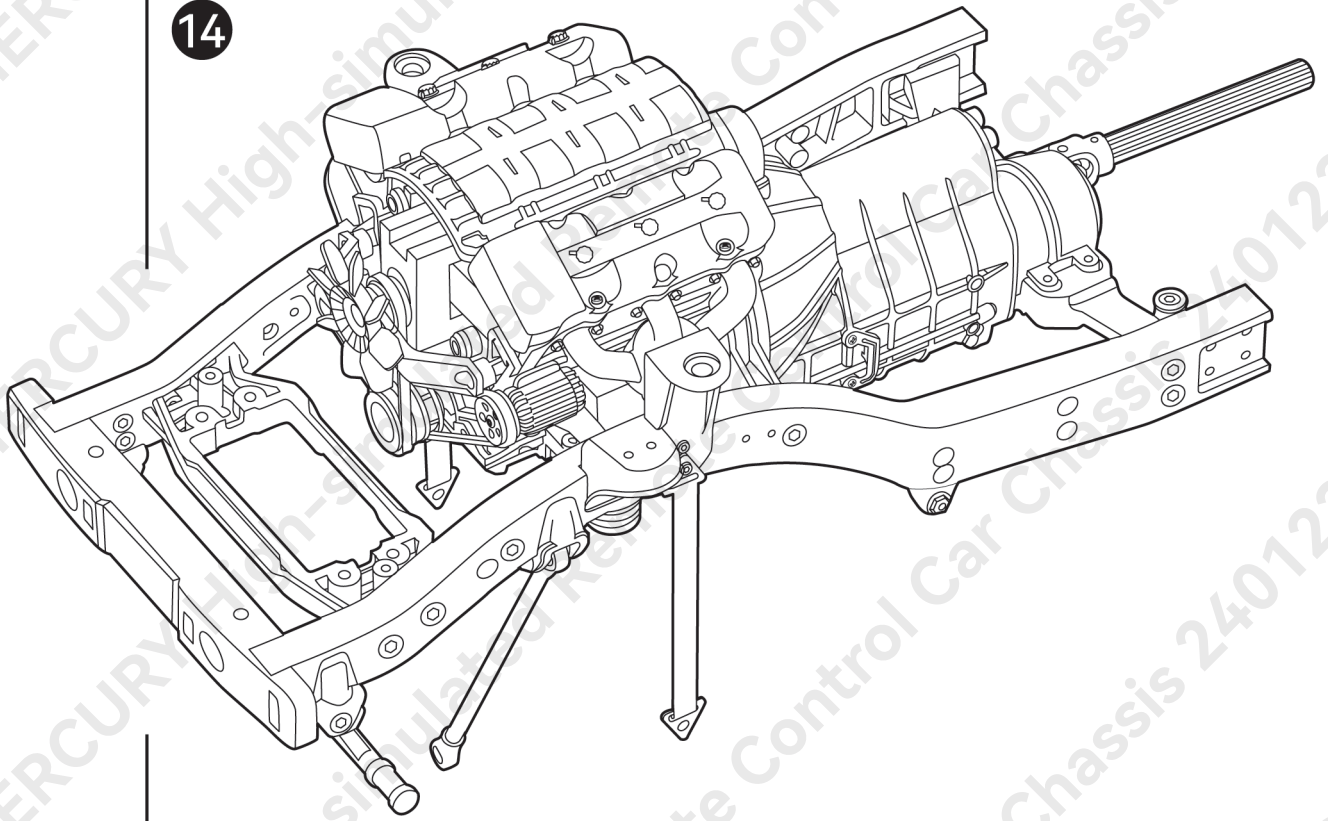


M2x12mm X 2

13



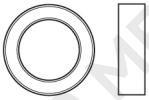
14



**F** 1 ~ 6  
Open Bag F



F3 12  
Bearing 4x7x2mm



F3 13  
Bearing 8x12x3.5mm x2



F3 20 x2



F3 21  
20T Bevel Gear X2



F3 22  
15T Bevel Gear X2

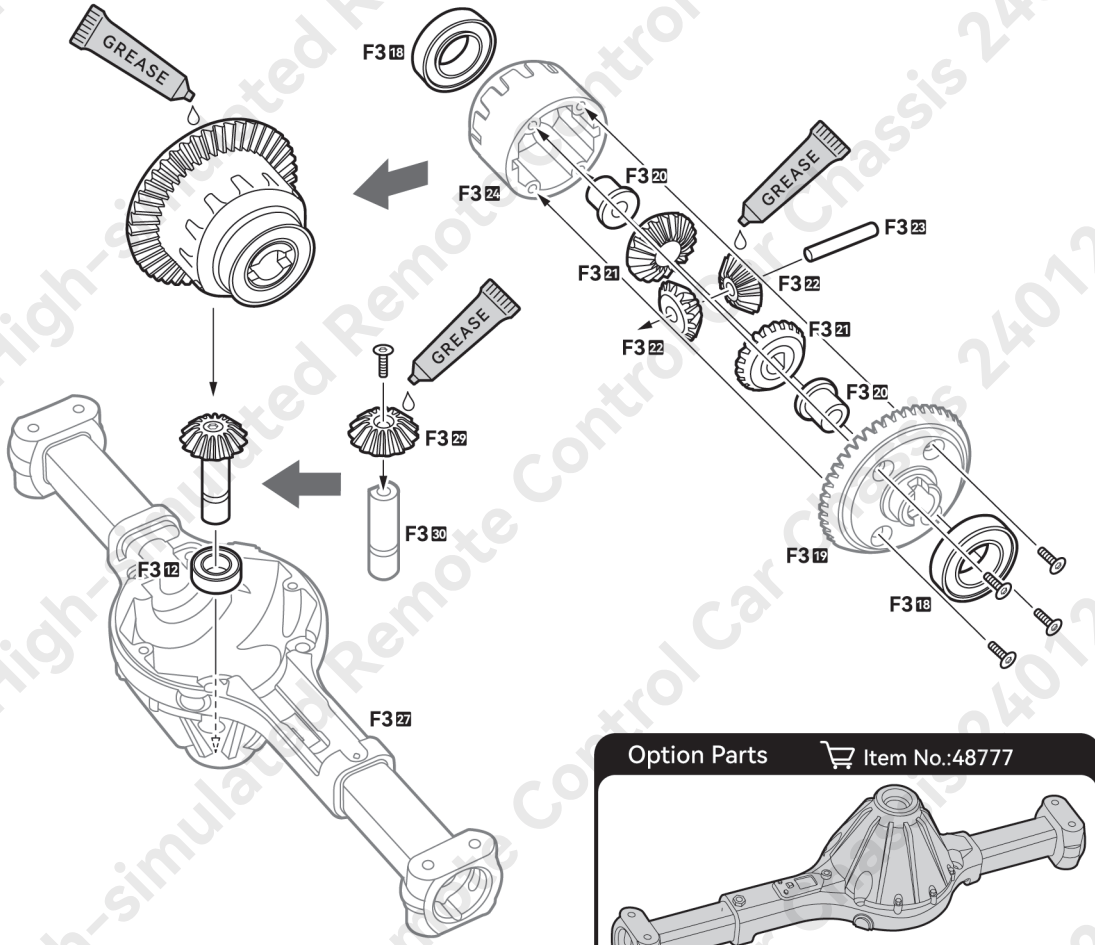


F3 23  
Shaft 2x16mm

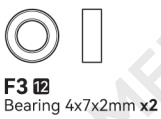


F3 24  
15T Bevel Gear

1 Assembly was completed before delivery for 1 2 3 4 5 6, this step is shown for easy maintenance!



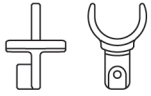
Option Parts Item No.:48777



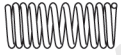
F3 12  
Bearing 4x7x2mm x2



F3 11



F3 15



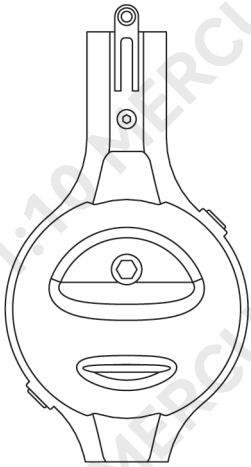
F3 13  
Spring 15x6mm



F3 14  
Washer 4x6mm

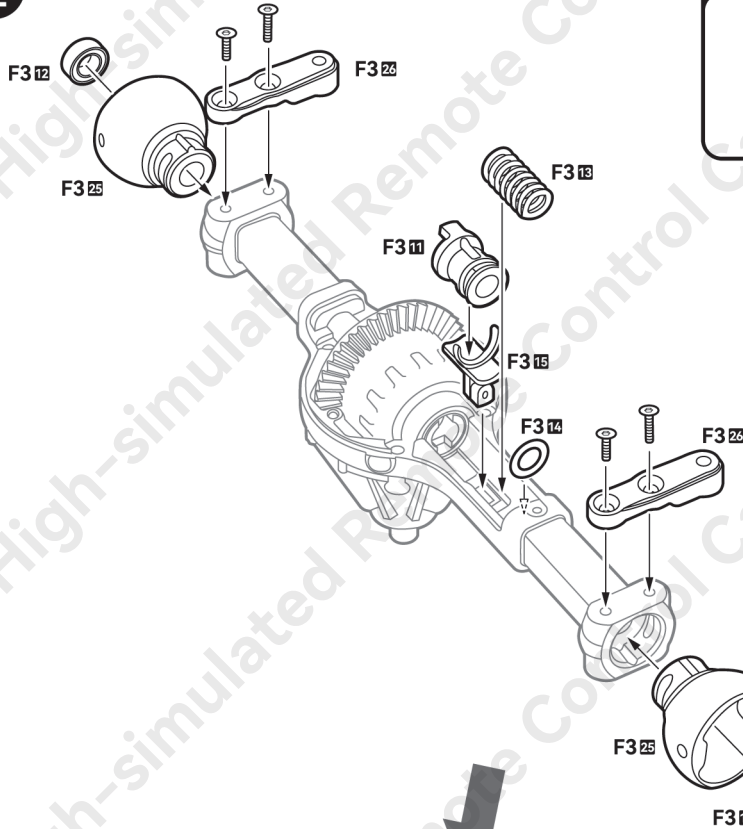


F3 10  
Pin 1.5x6mm

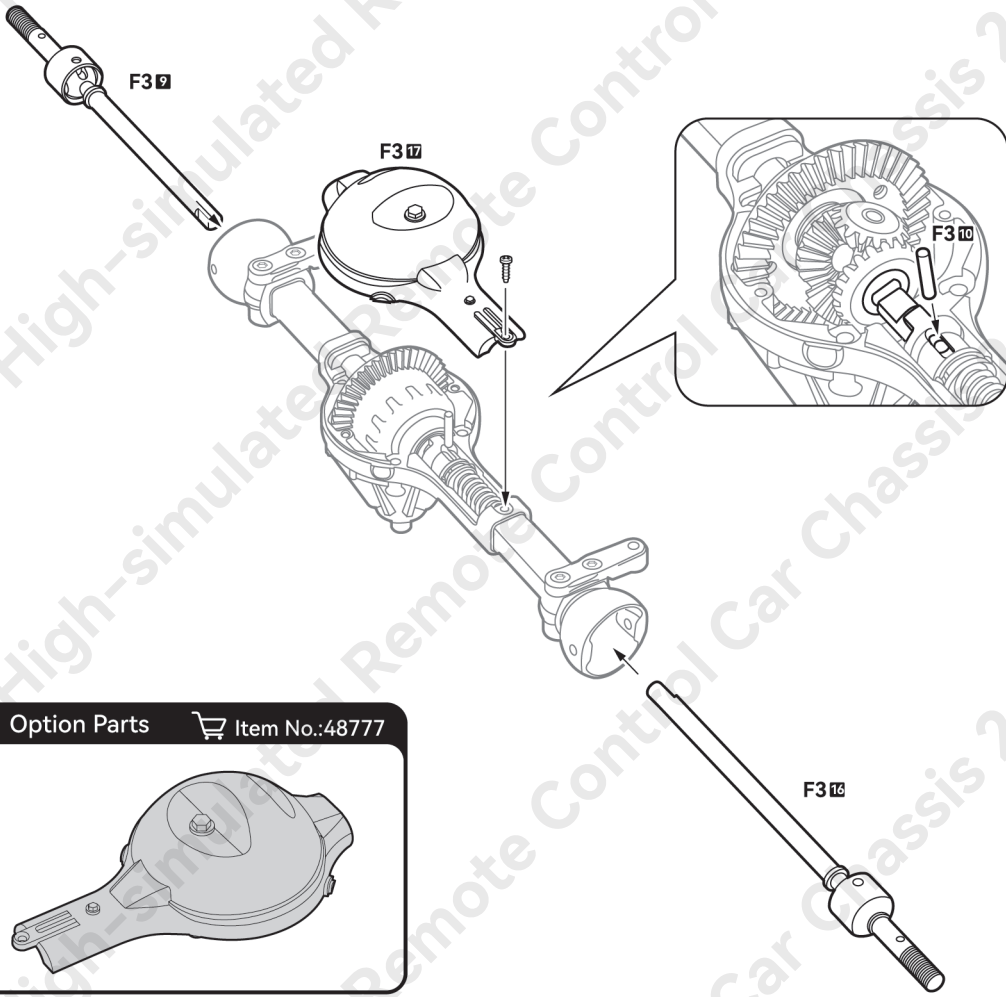
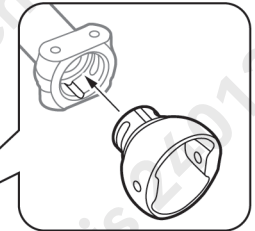


F3 17

2



Option Parts Item No.:48809



Option Parts Item No.:48777



**F3 5**  
Copper bushing 4x7x1.5mm x2



**F3 8**  
Copper bushing 2.5x4.5x4mm x4



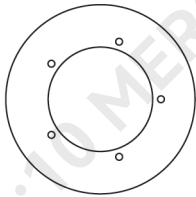
**F3 12**  
Bearing 4x7x2mm x3



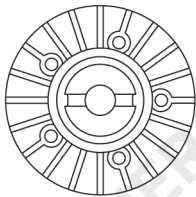
**F3 28**



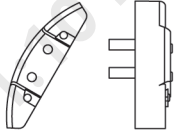
**F3 8**  
Pin 1.5x9mm x2



**F3 1** x2

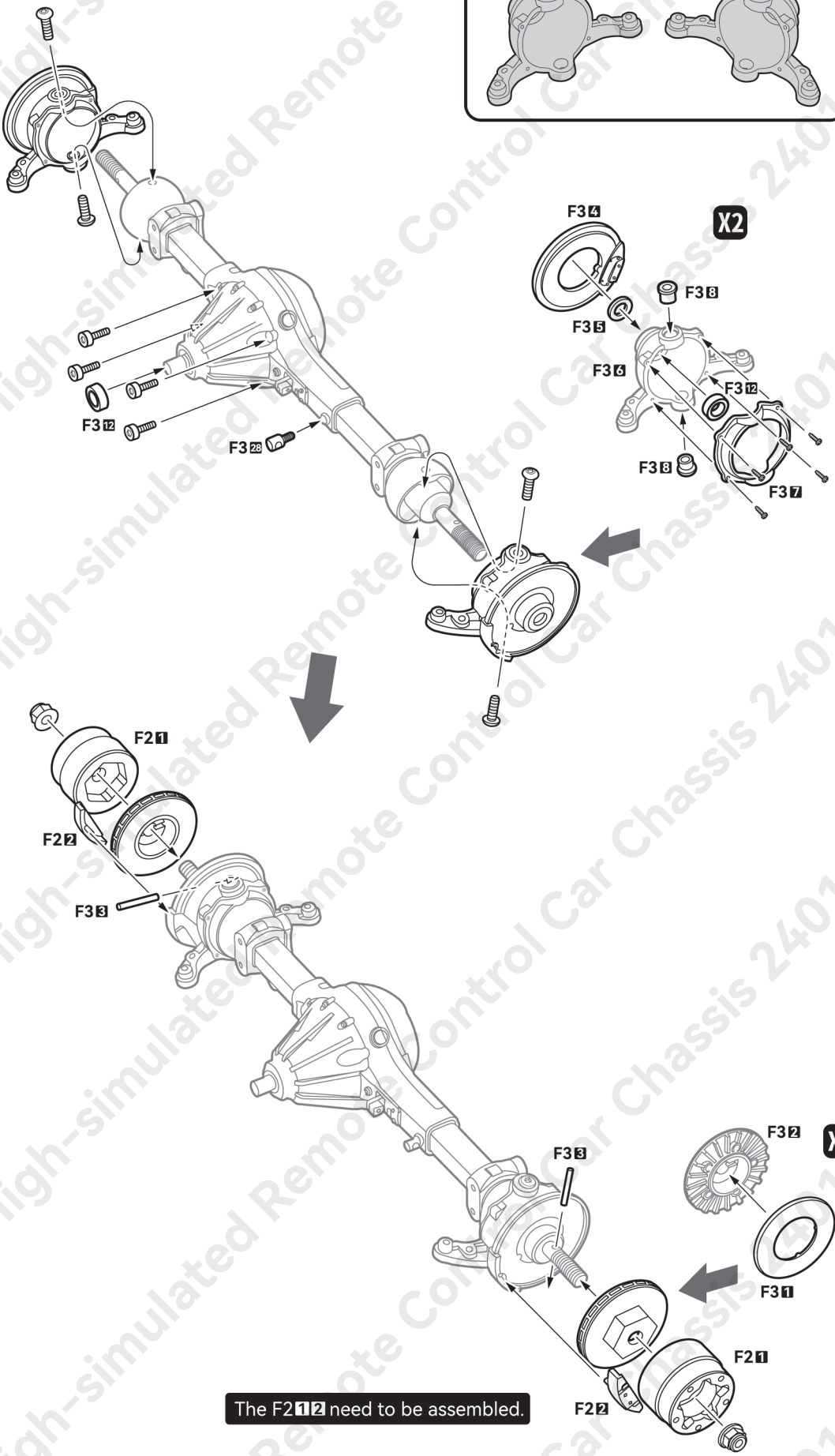


**F3 2** x2



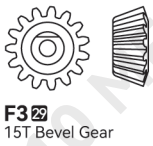
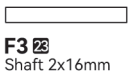
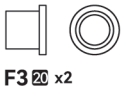
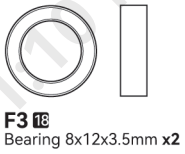
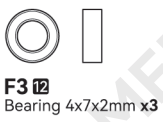
**F2 2** x2

**3**

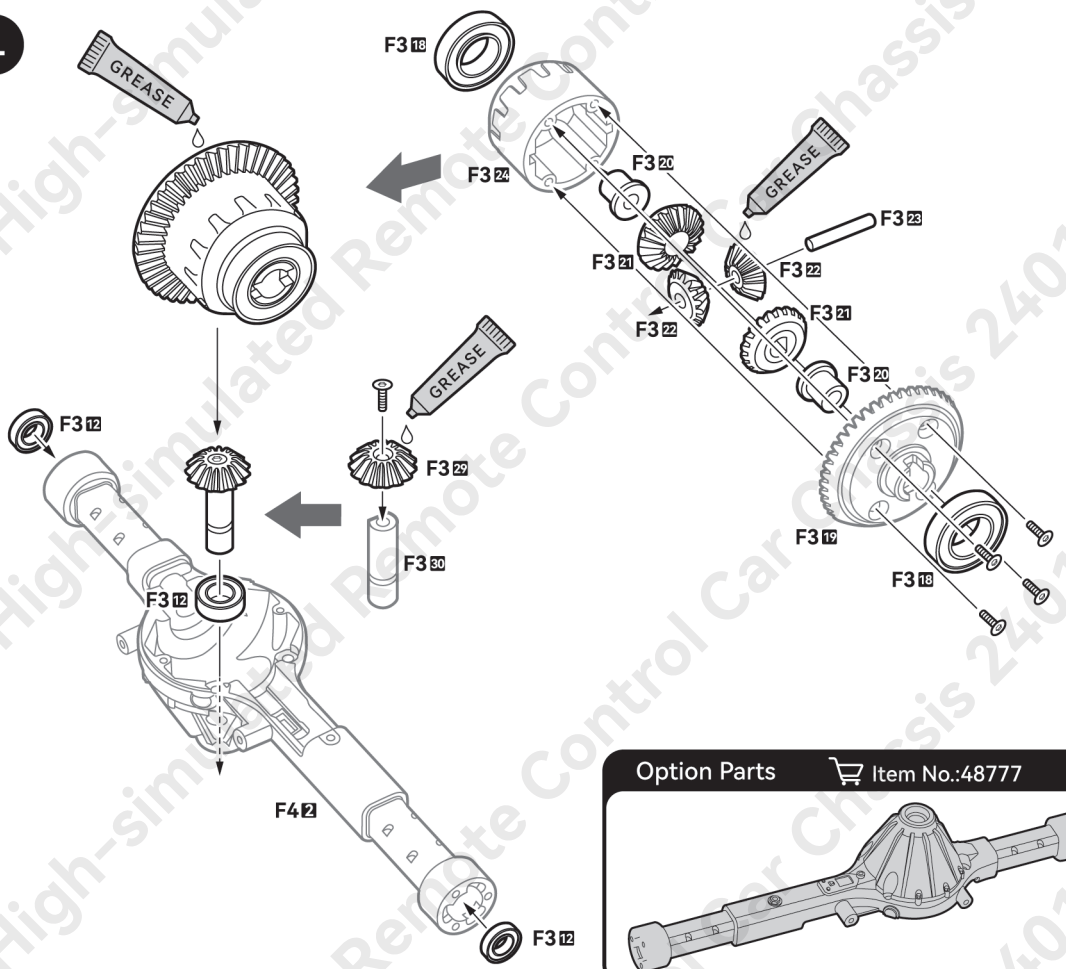


Option Parts Item No.:48809

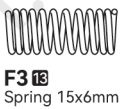
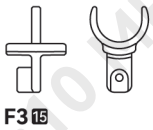
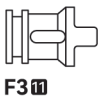
The F2 1 2 need to be assembled.



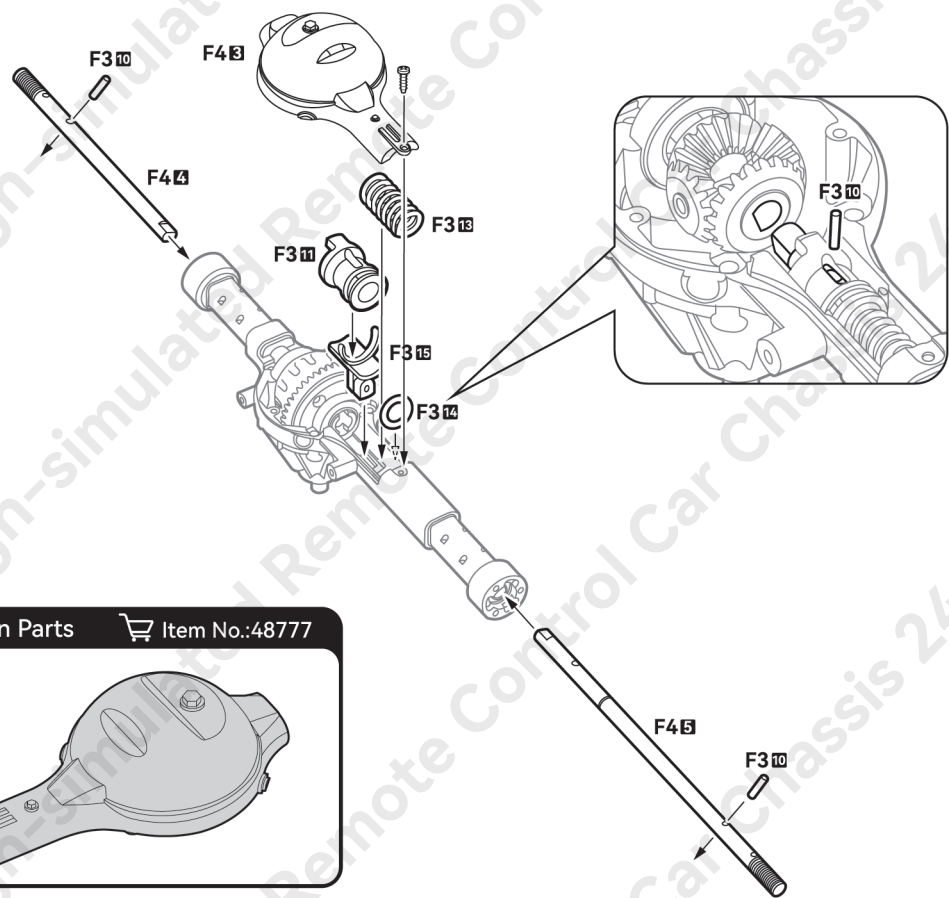
**4**



Option Parts Item No.:48777



**5**



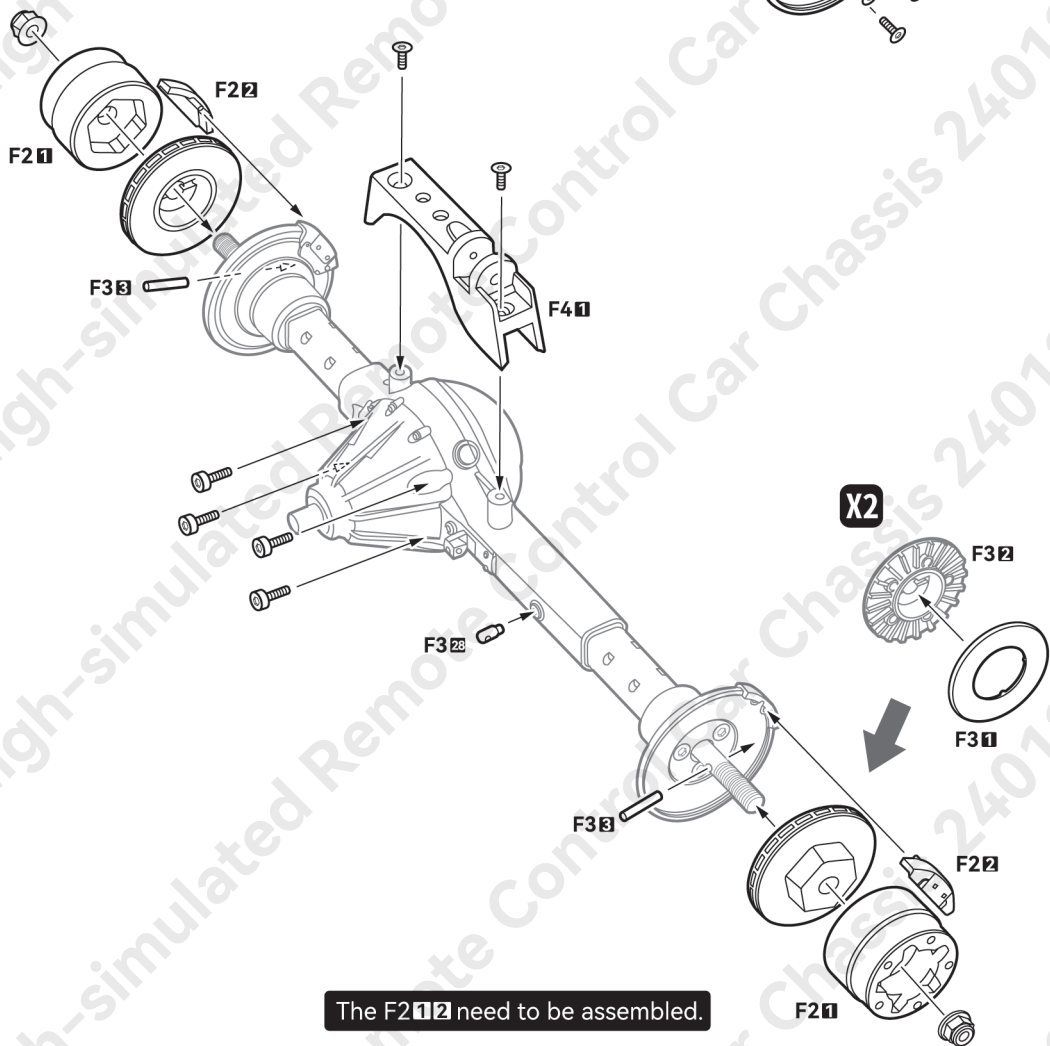
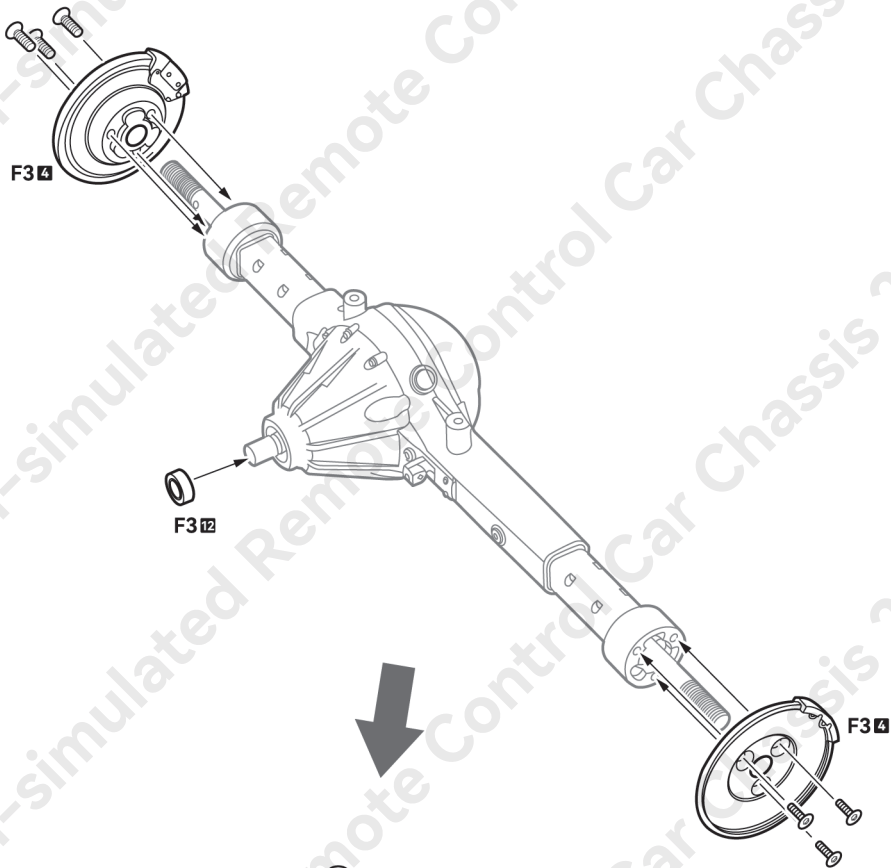
Option Parts Item No.:48777





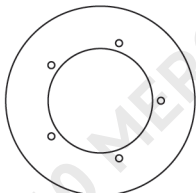
**F3 12**  
Bearing 4x7x2mm x1

**6**

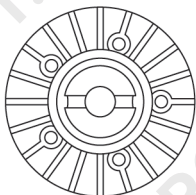


**F3 28**

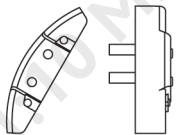
**F3 3**  
Pin 1.5x9mm x2



**F3 1** x2



**F3 2** x2

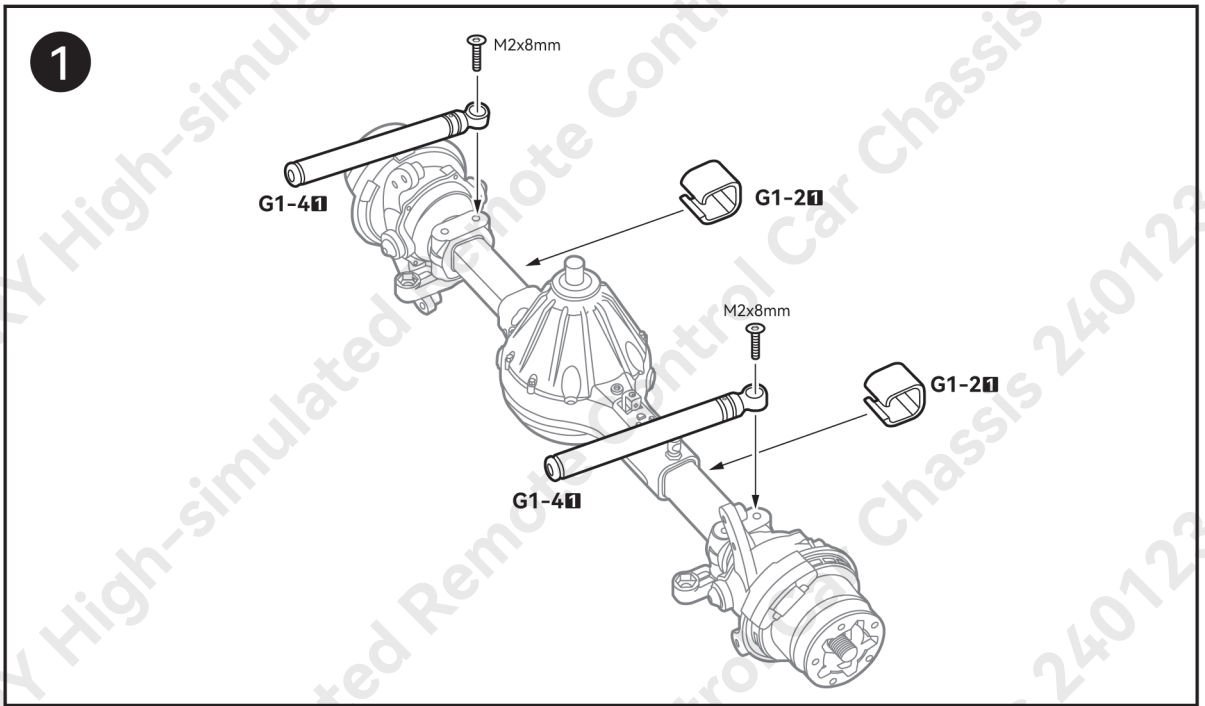


**F2 2** x2

The F2 1 2 need to be assembled.

**G** 1 ~ 3  
Open Bag G

M2x8mm X 2



M2x6mm X 4

O rings X 4

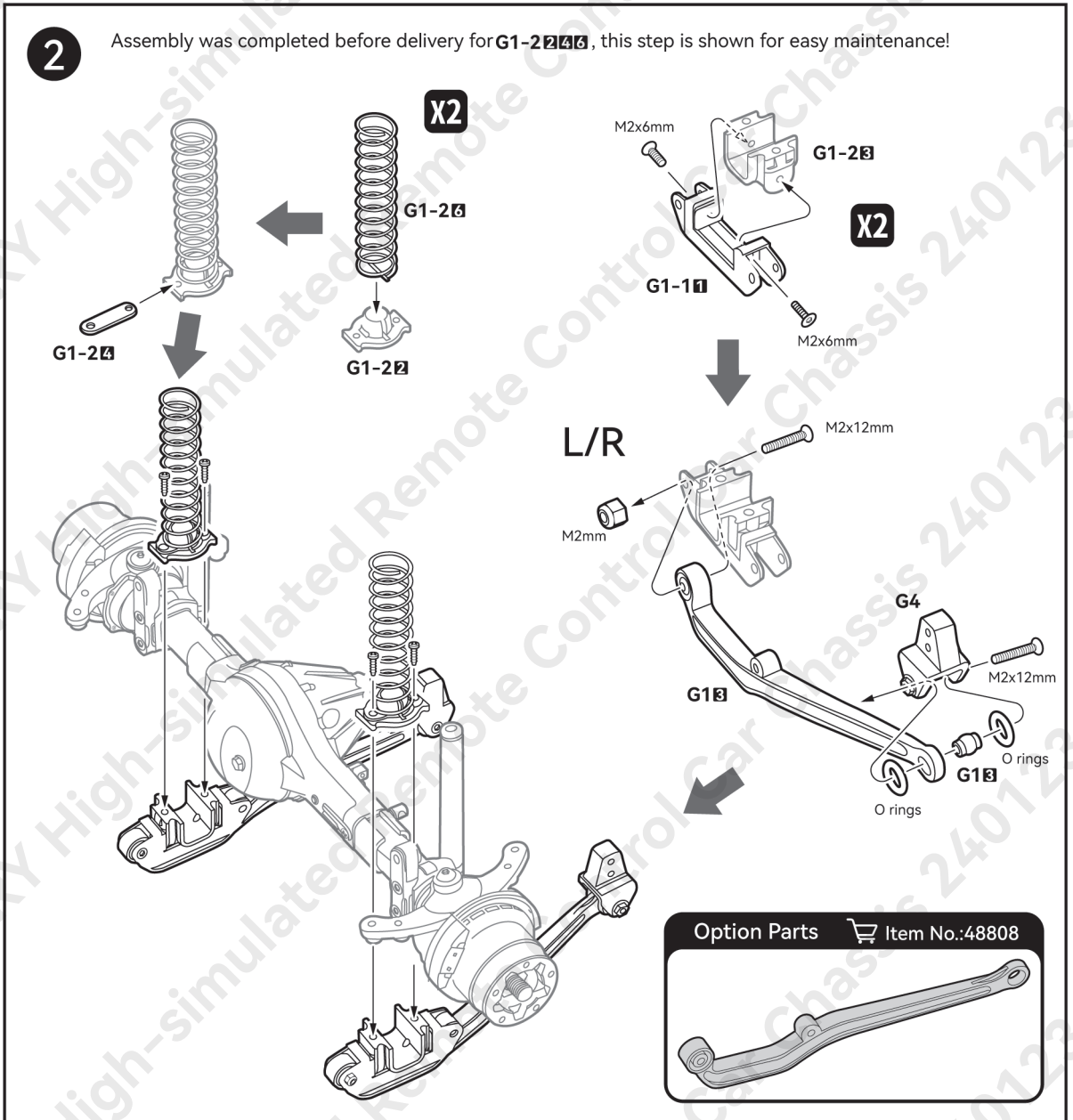
M2x12mm X 4

M2mm X 2

G1-2 x2

G1-2 Base x2

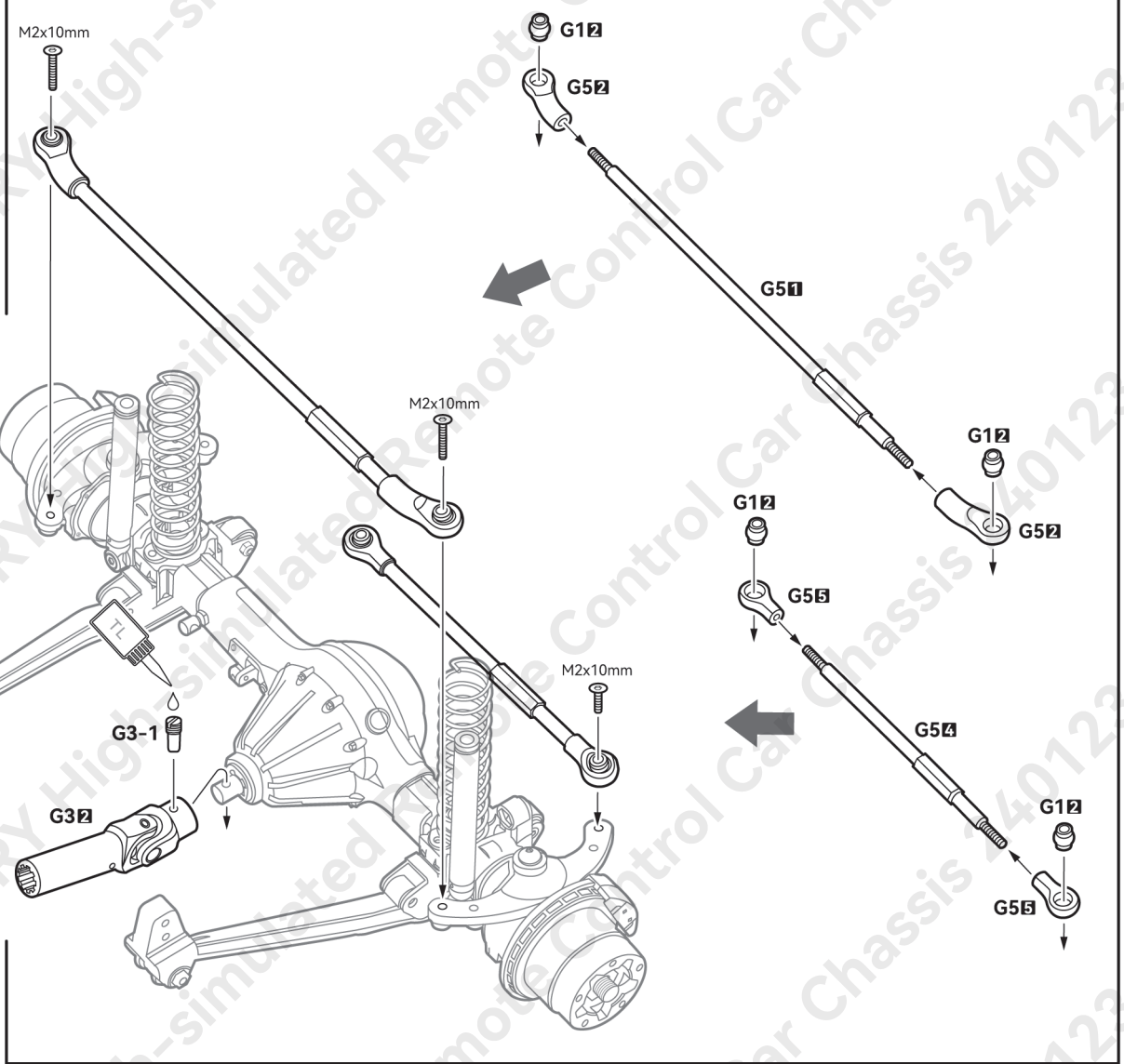
G1-2 x2



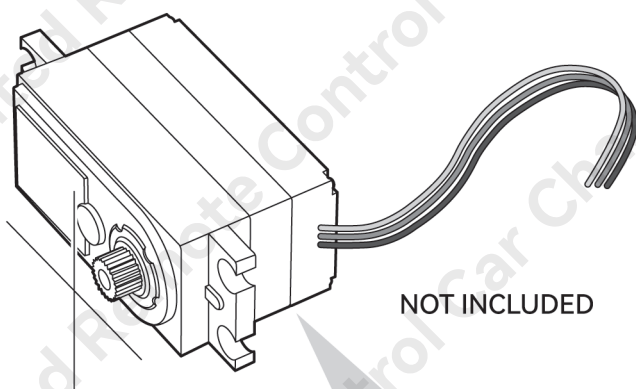
-  M2x10mm X 3
-  G3-1  
M2 half thread x1
-  G1 2 x4

**3**

Assembly was completed before delivery for **G12 G511245**, this step is shown for easy maintenance!



**4**

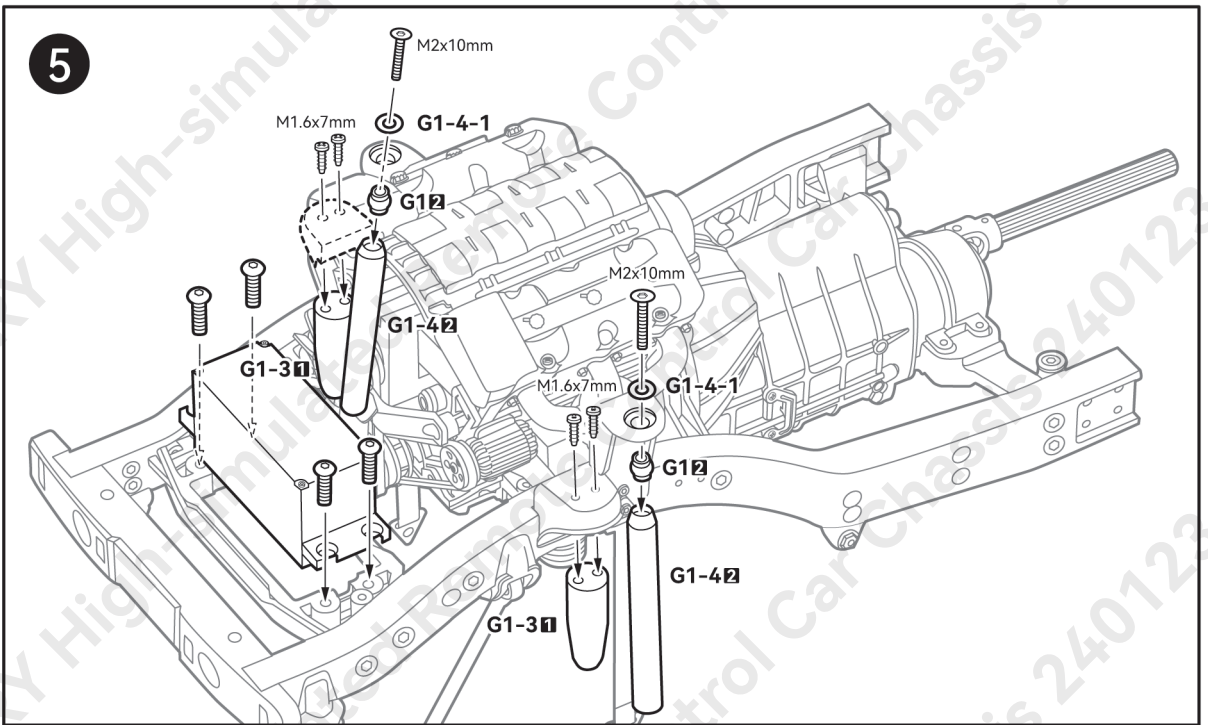




NOT INCLUDED

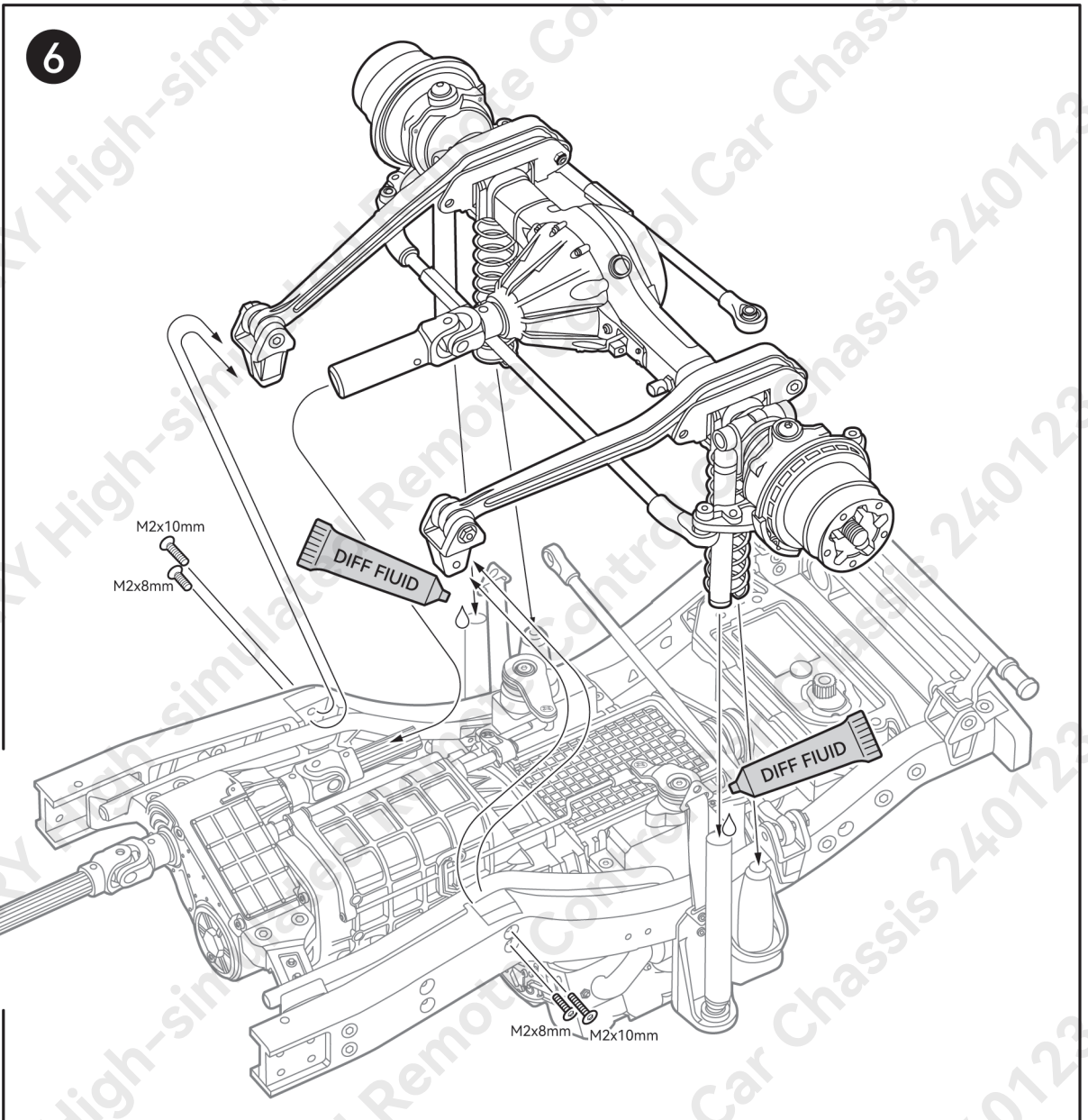
Install when servo is in neutral position.

Size: 35mmx16mm  
40mmx20mm  
Torque: 5kg /12kg  
(Compatible with standard servo)

-  M1.6x6mm X 4
-  M2x10mm X 2
-  G1-4 x2



-  M2x8mm X 2
-  M2x10mm X 2



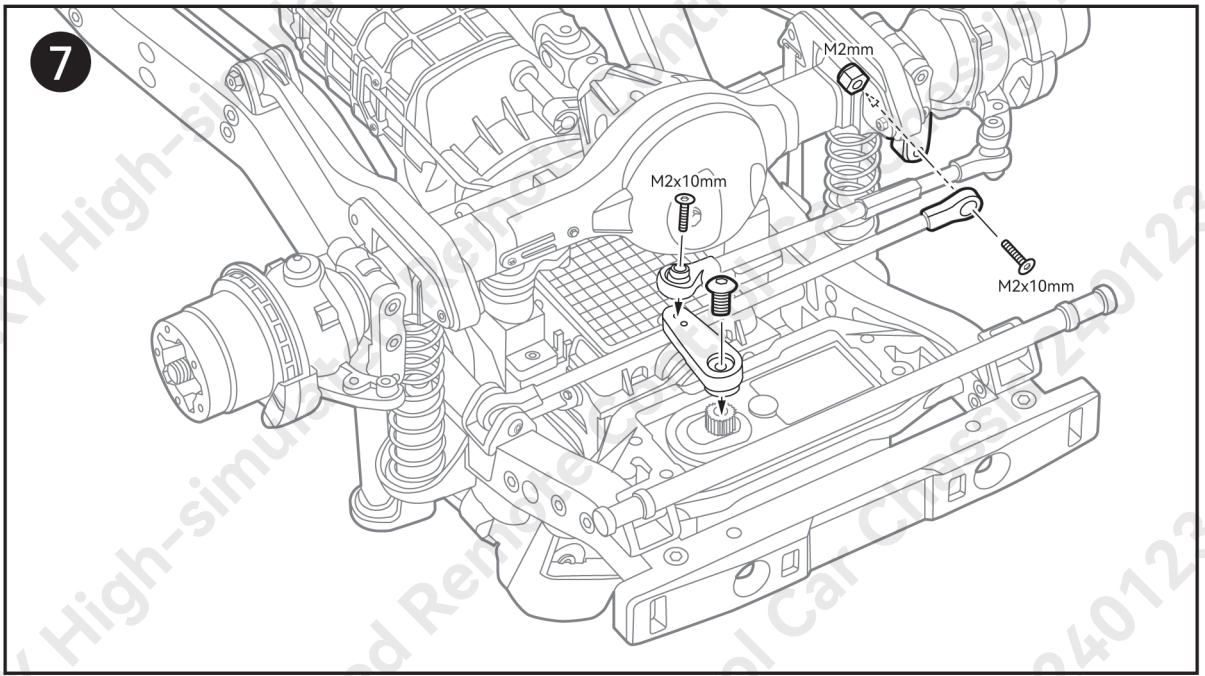


M2x10mm X 1



M2mm X 1

7

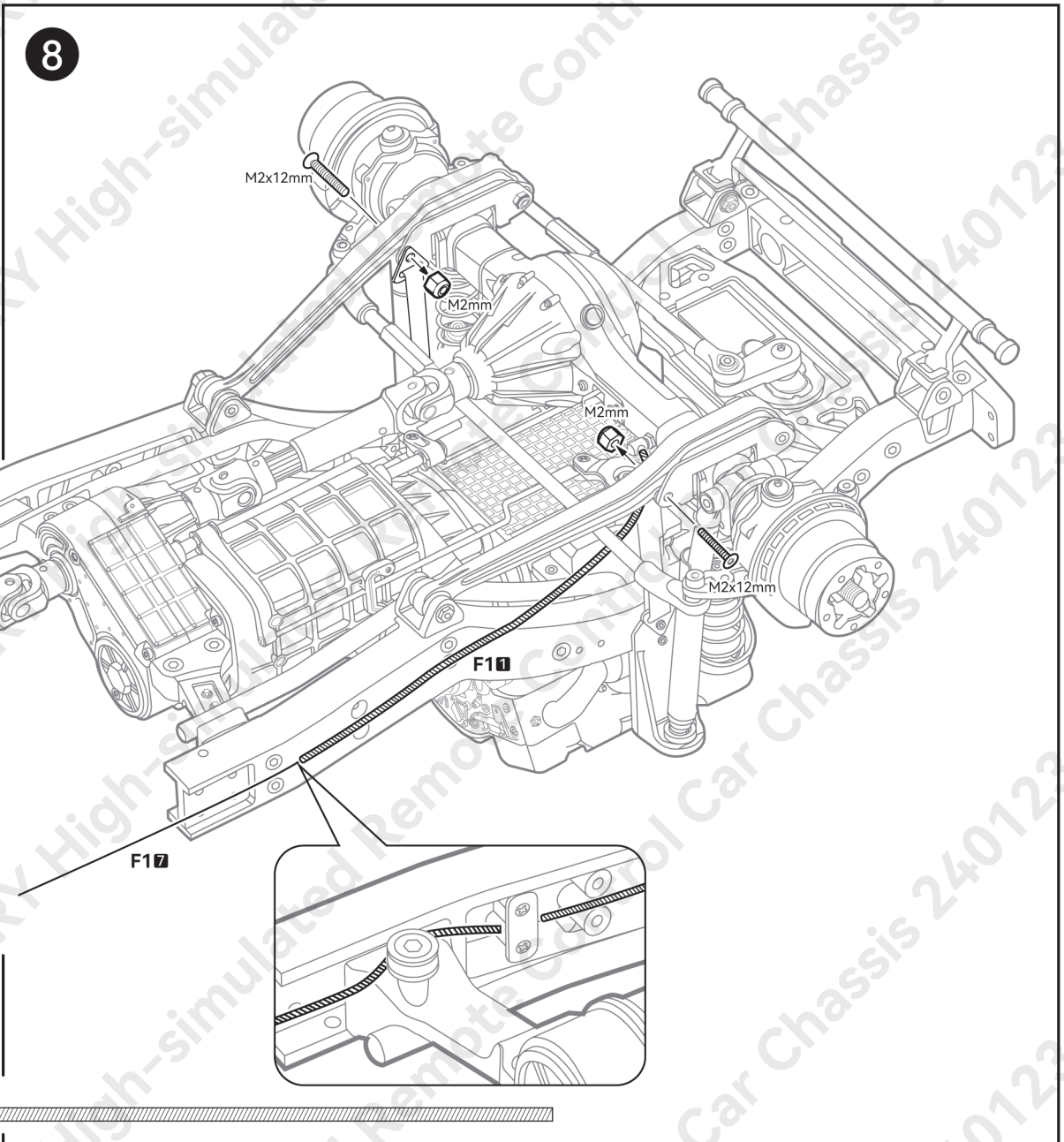


M2x12mm X 2



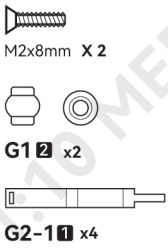
M2mm X 2

8

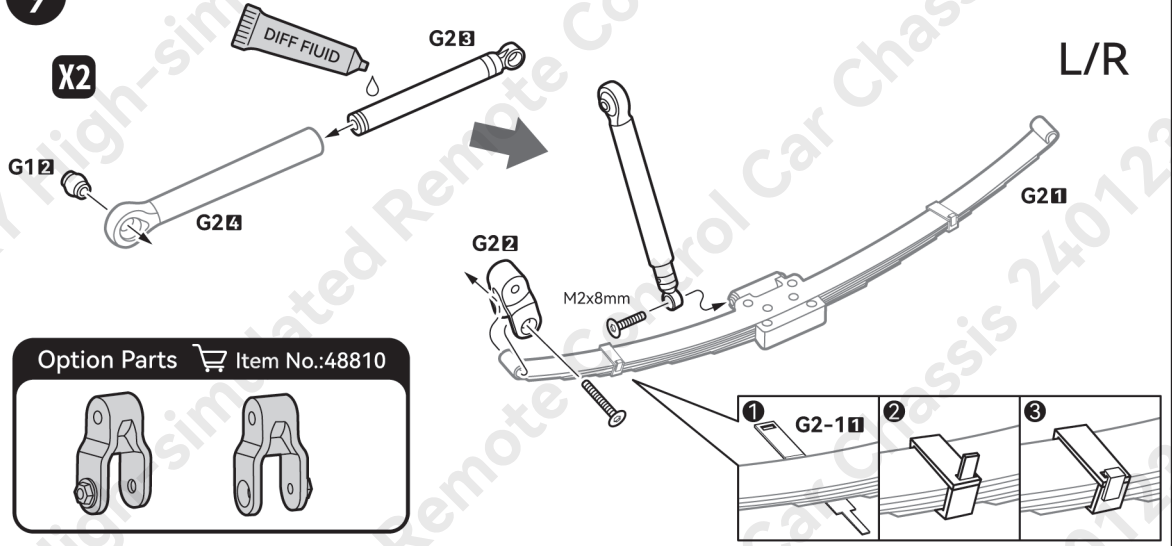


**F10**  
Length 120mm Φ2mm

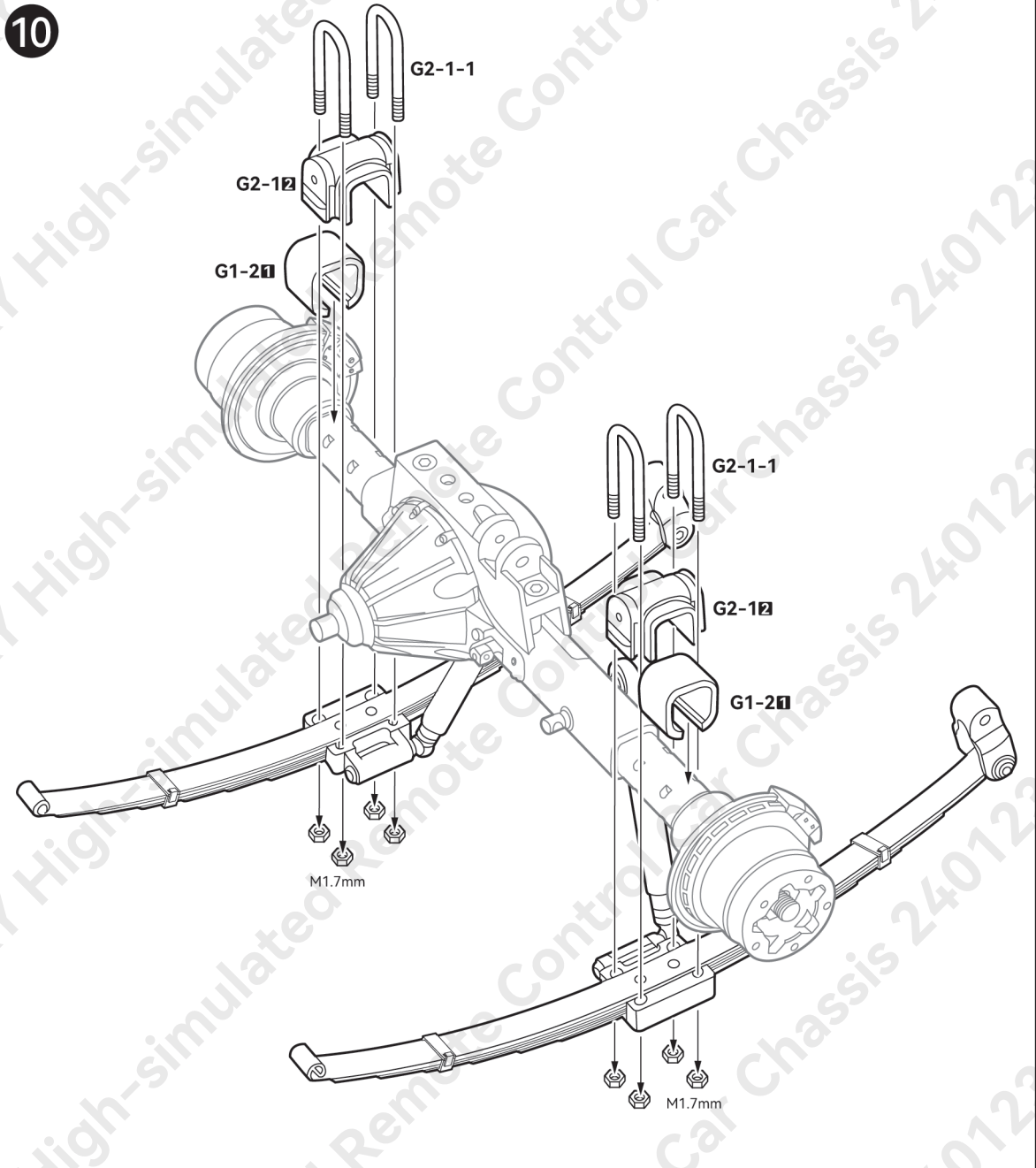
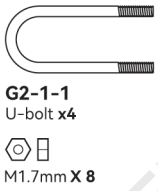






**9** Assembly was completed before delivery for G1-2 G2-2, this step is shown for easy maintenance!

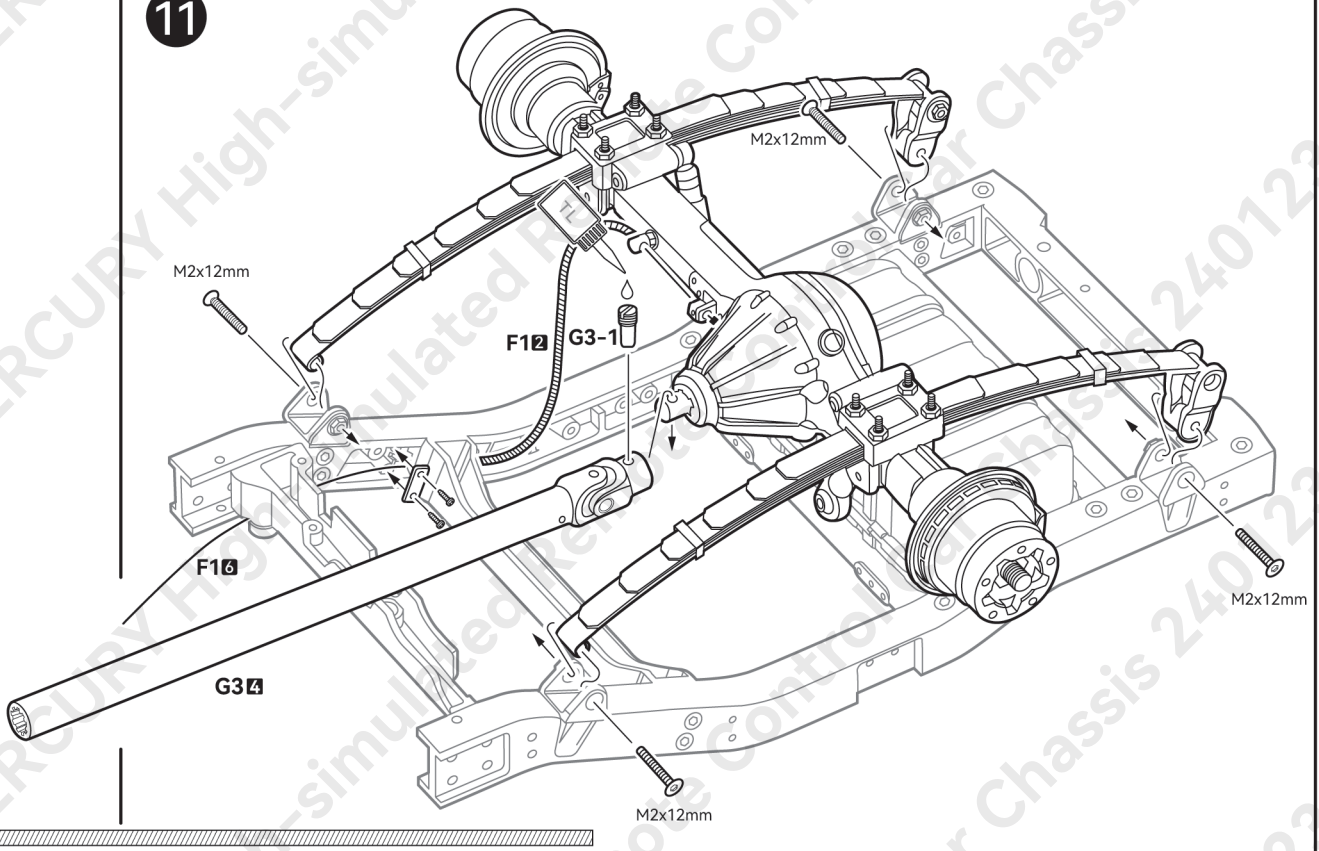


**Option Parts** Item No.:48810






-  M2x12mm X 4
-  G3-1  
M2 half thread x1

**11**

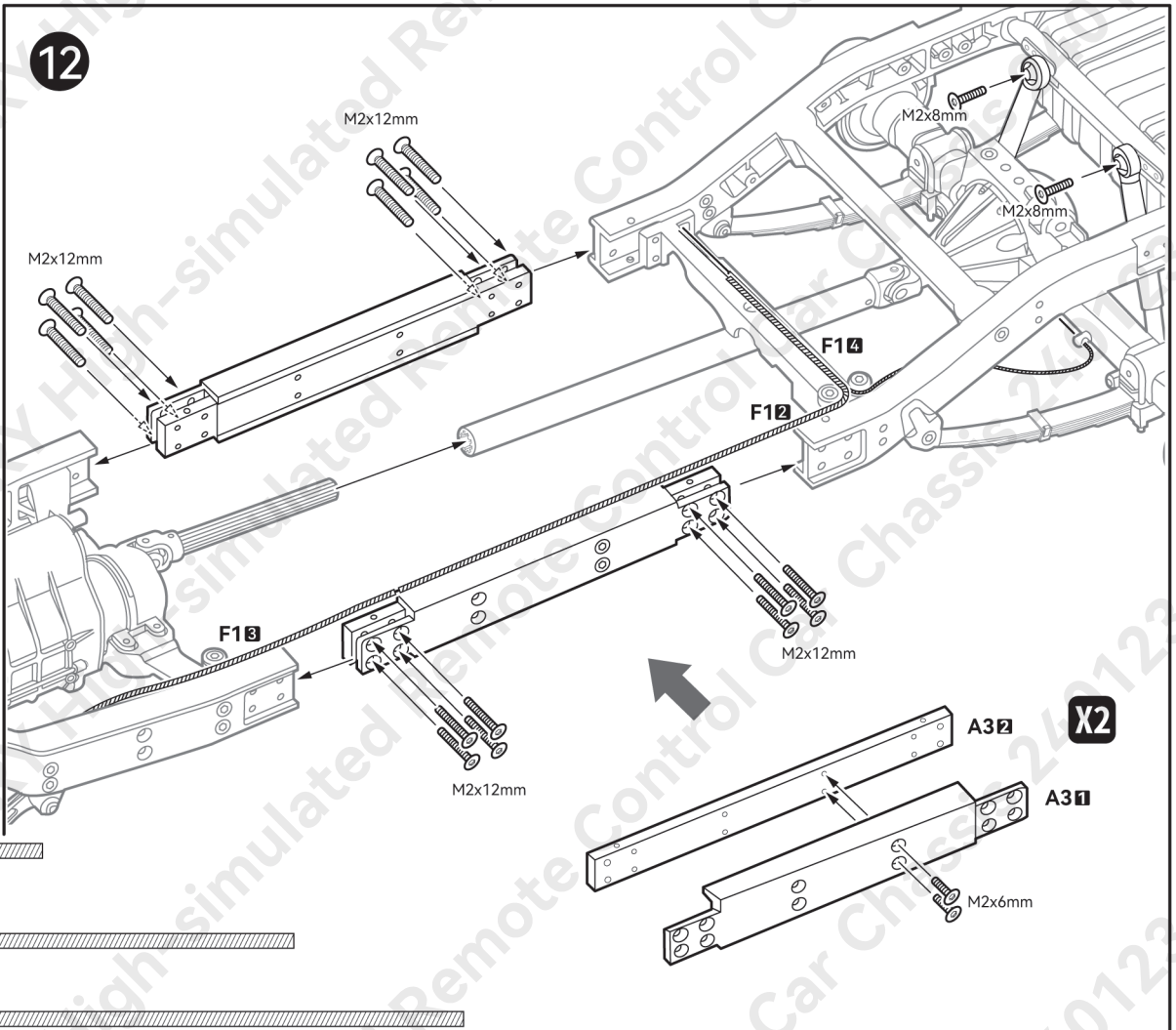


**F12**  
Length 100mm  $\Phi$ 2mm



-  M2x12mm X 8
-  M2x6mm X 4
-  M2x8mm X 2

**12**



**F13**  
Length 45mm  $\Phi$ 2mm



**F14**  
Length 75mm  $\Phi$ 2mm



**F12**  
Length 100mm  $\Phi$ 2mm

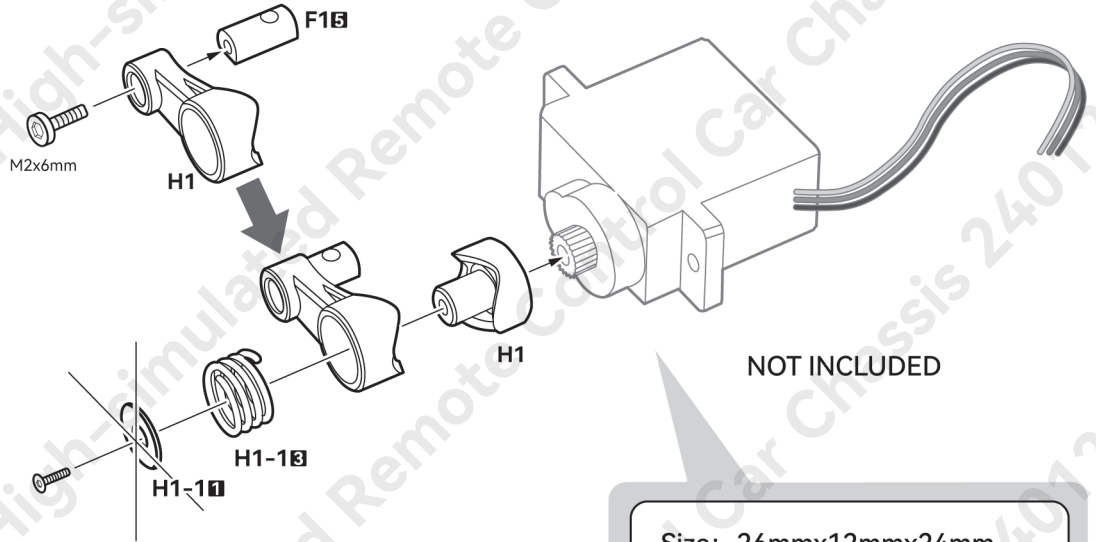


M2x6mm X 1



F15

**13** The servo accessories need to select a suitable one from H1 H2 H3.



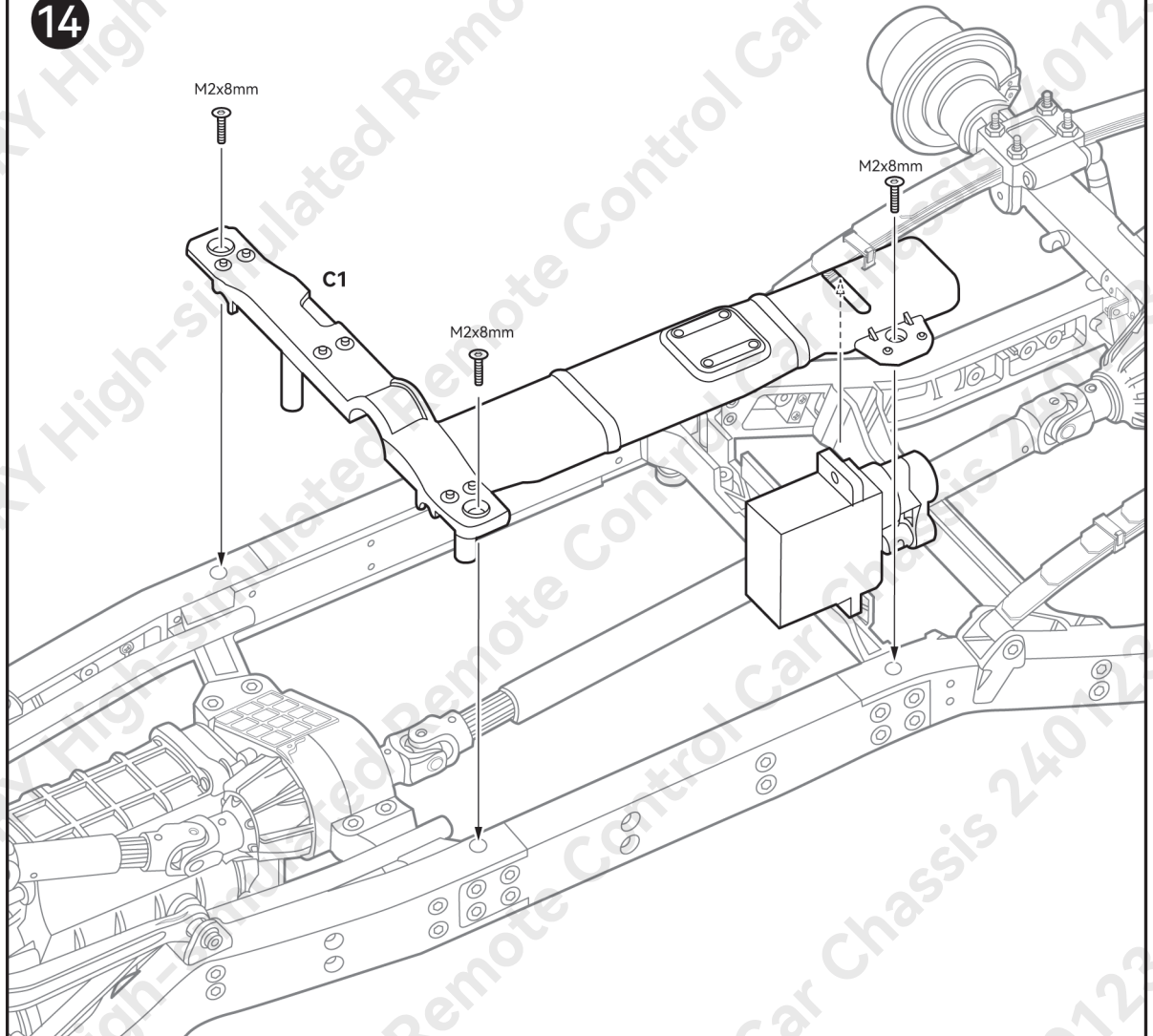
NOT INCLUDED

Size: 26mmx12mmx24mm  
24mmx12.5mmx22.5mm  
Torque: 4kg/2.2kg

Install when servo is in neutral position.

M2x8mm X 3

**14**







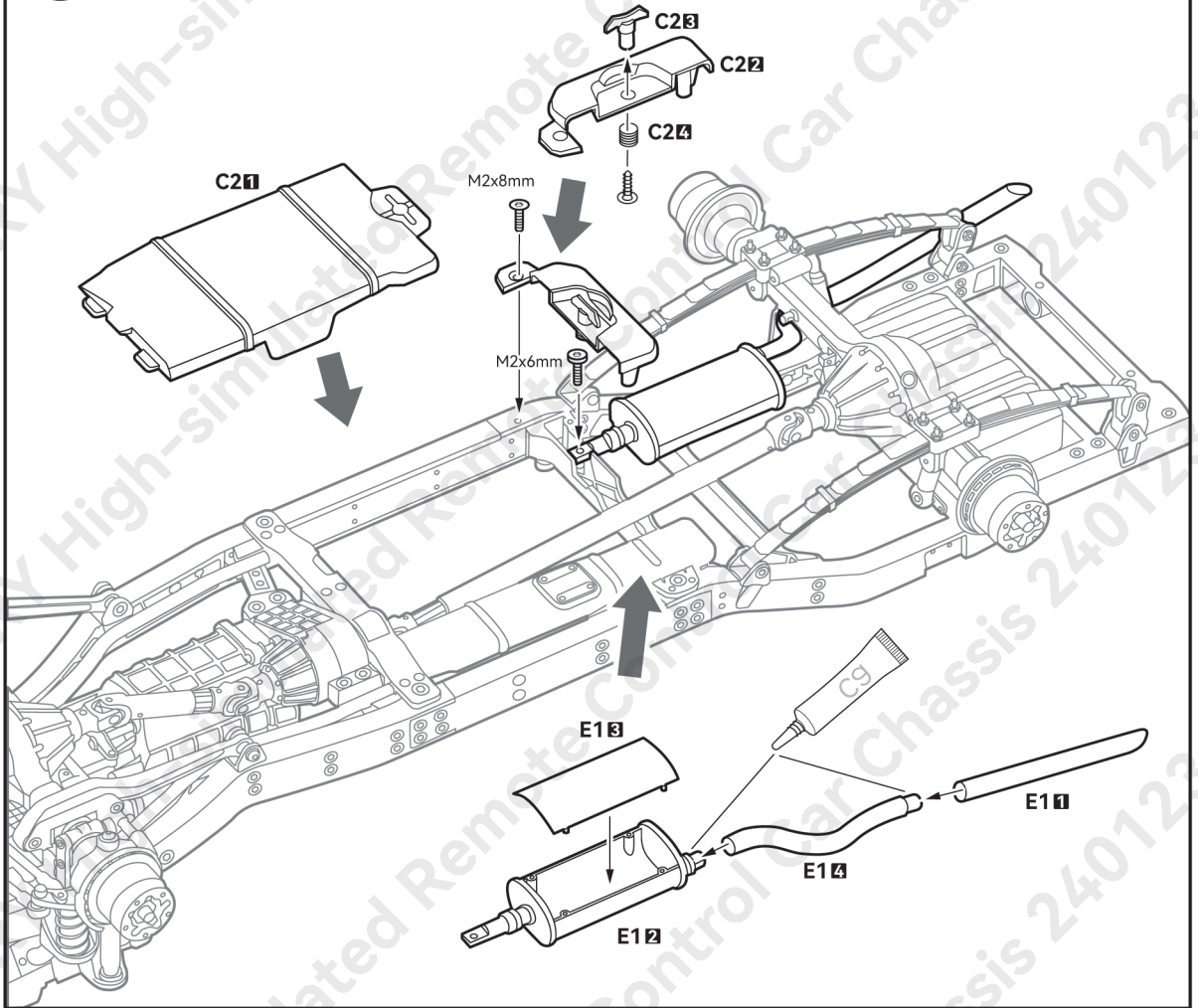
M2x6mm X 1



M2x8mm X 1

1

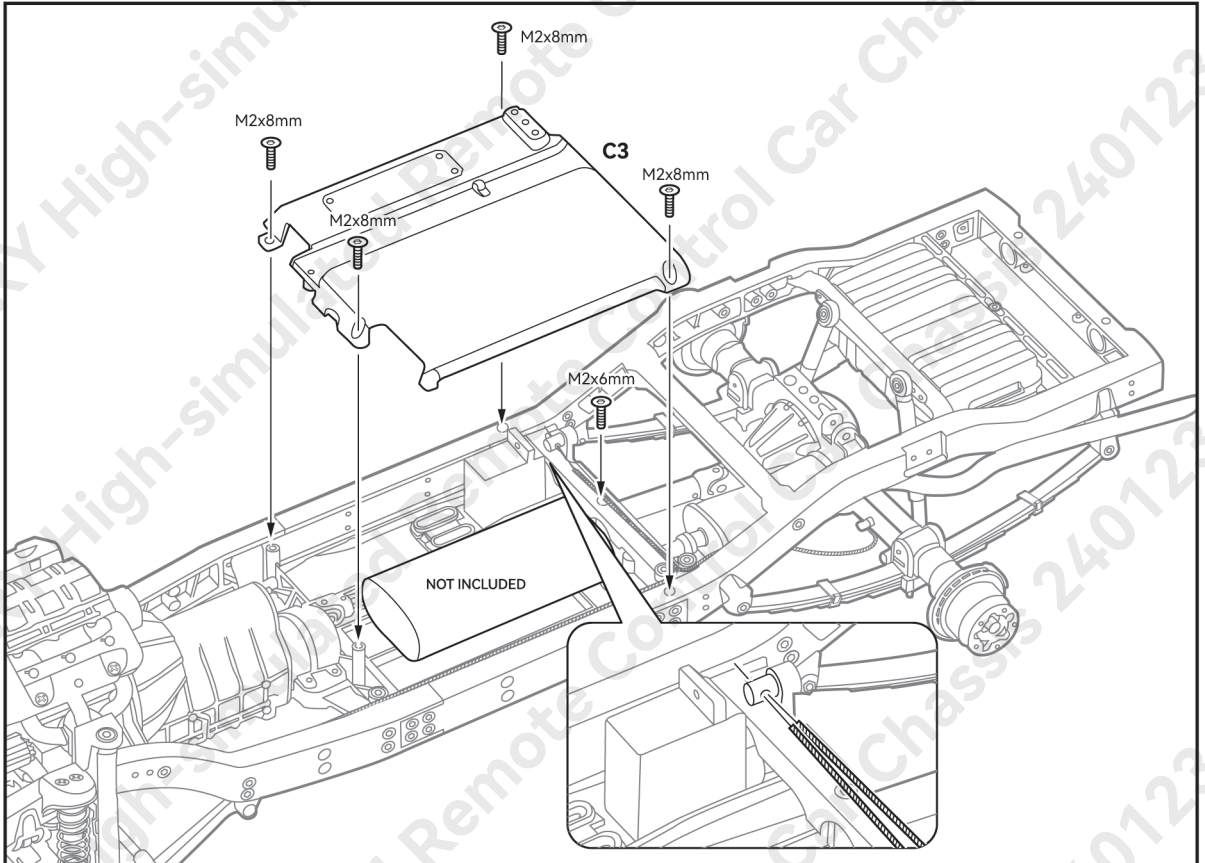
Assembly was completed before delivery for **C2P34 E134**, this step is shown for easy maintenance!



M2x6mm X 1



M2x8mm X 4

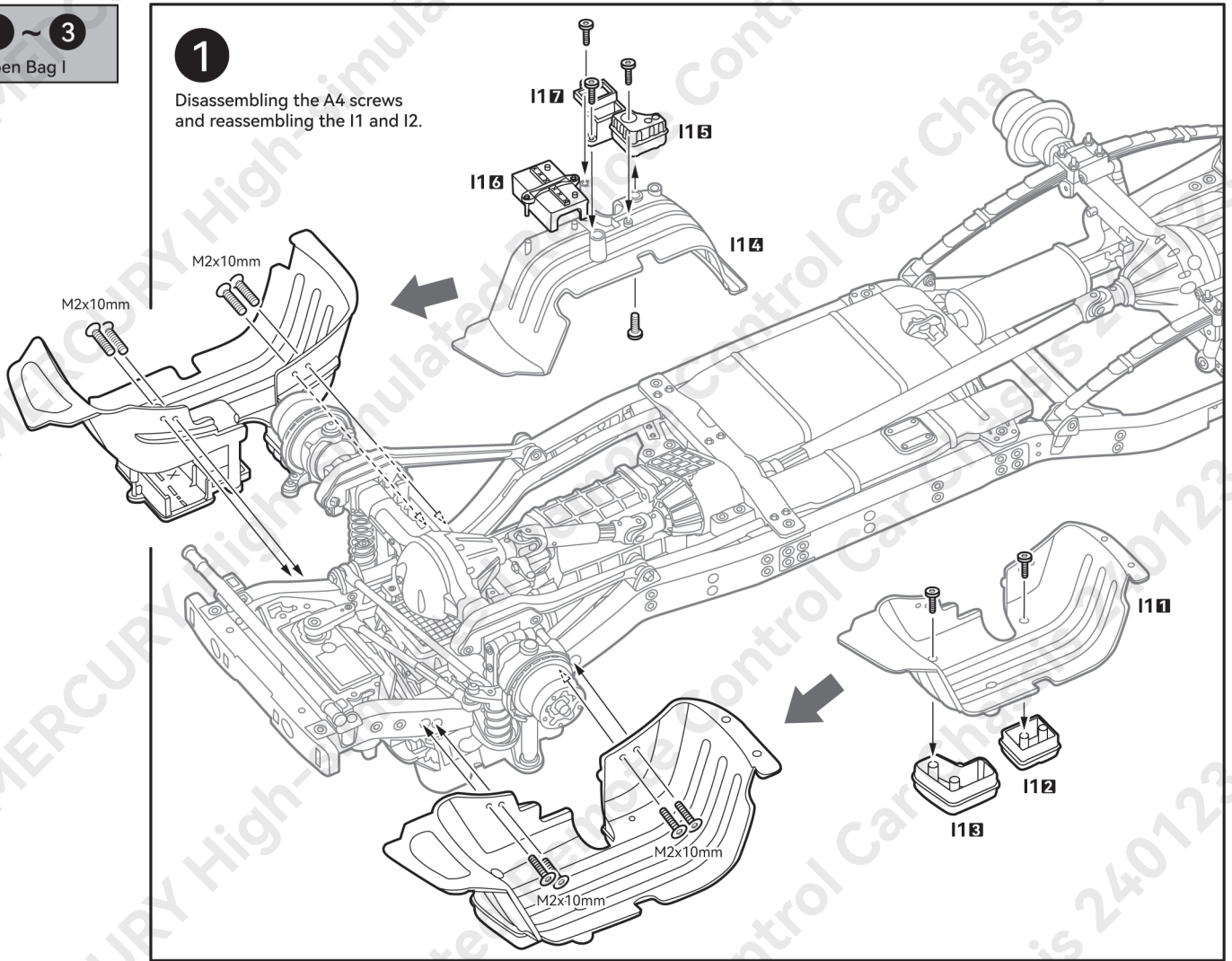


1 ~ 3  
Open Bag I

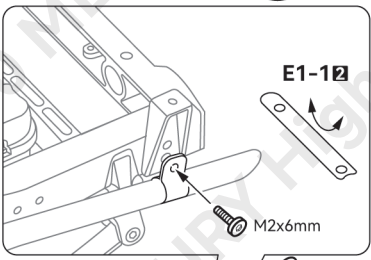
M2x10mm X 8

1

Disassembling the A4 screws and reassembling the I1 and I2.



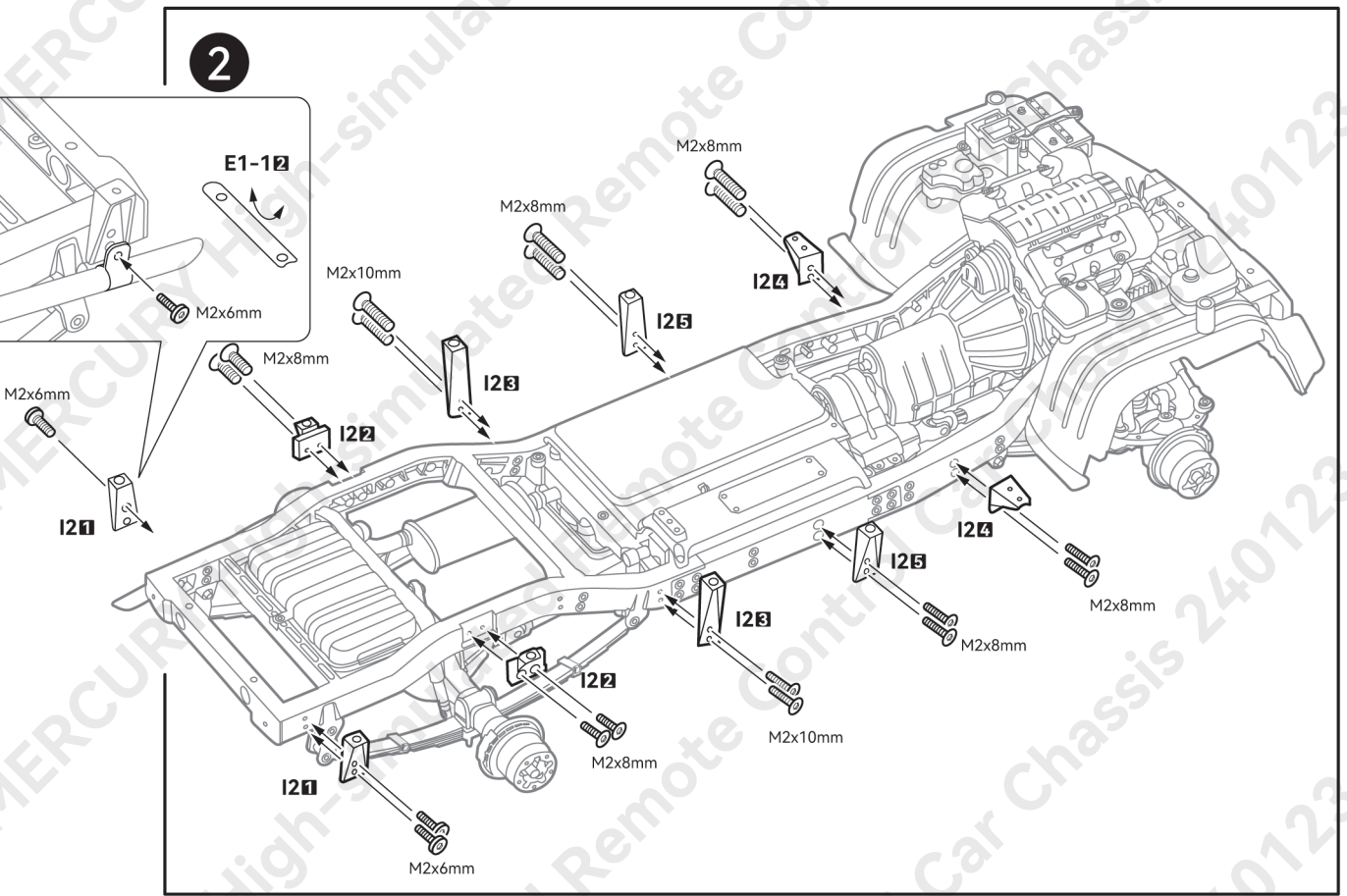
2



M2x8mm X 12

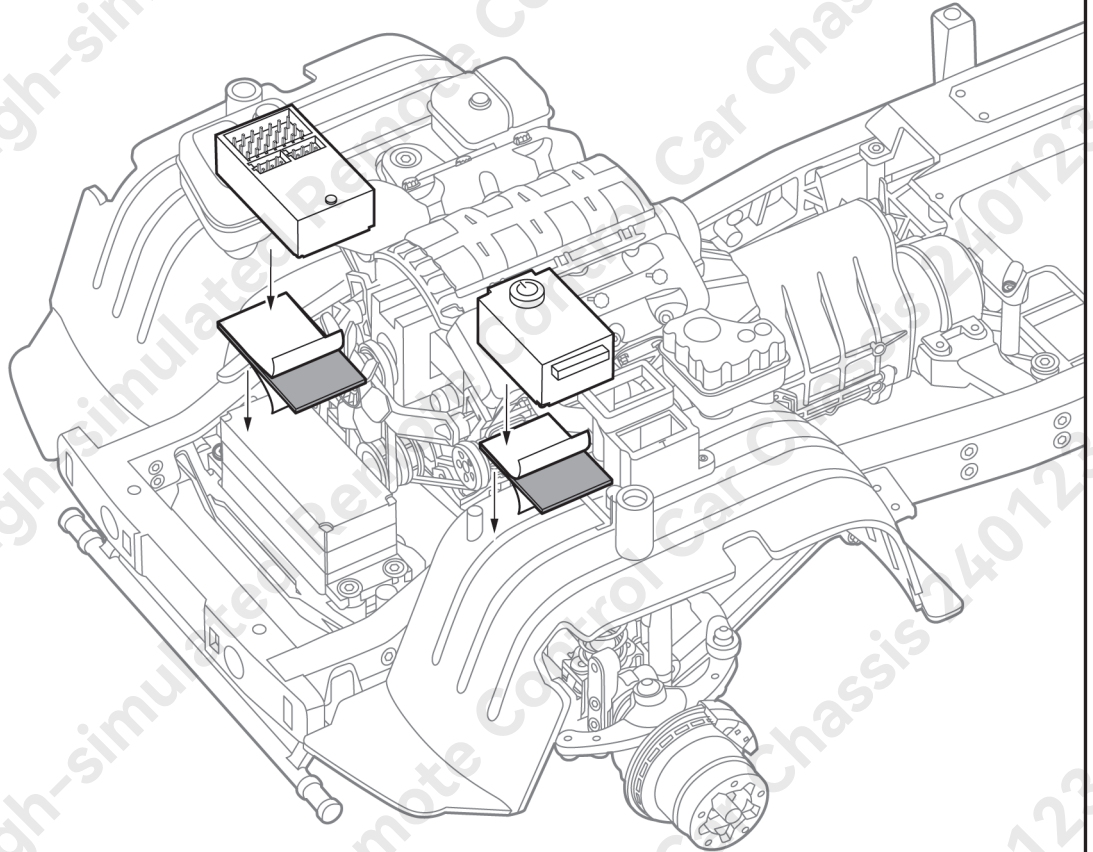
M2x6mm X 4

M2x10mm X 4

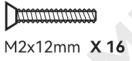


3

Warm Prompt: Removing the parts from the switch position to Install the on/off switch.

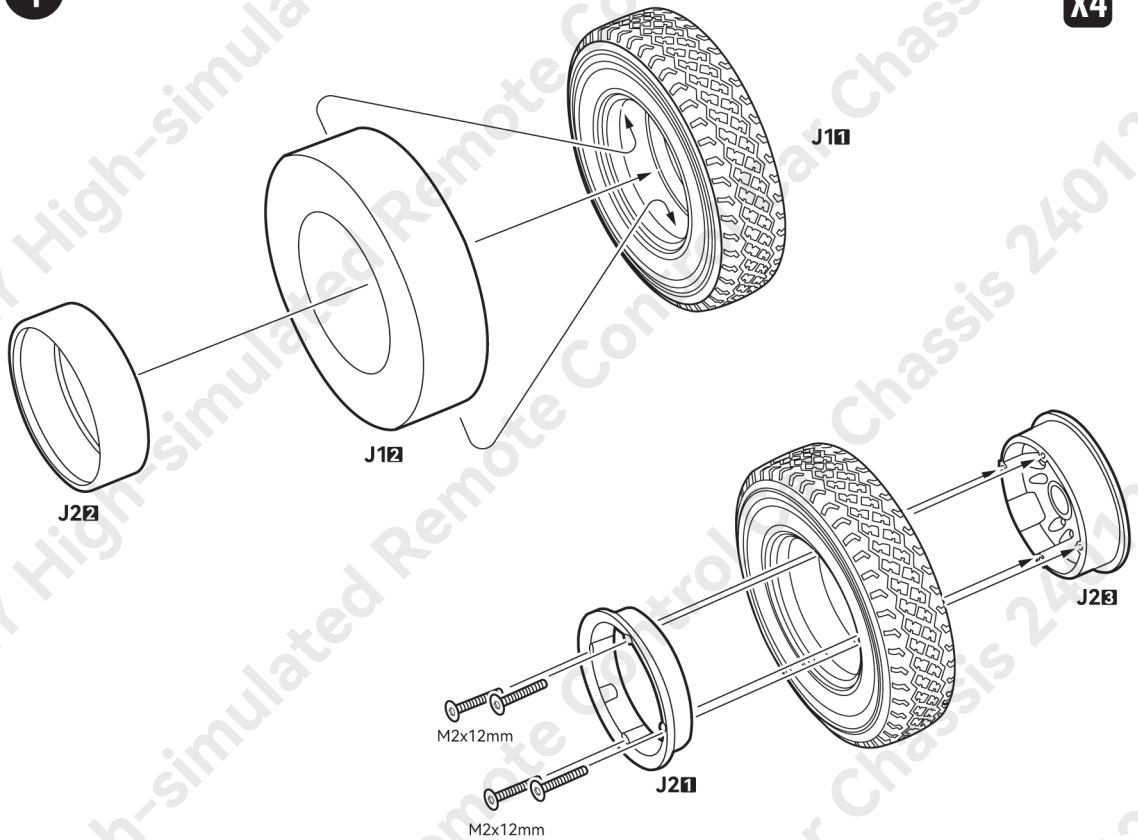


**J** 1 ~ 2  
Open Bag J

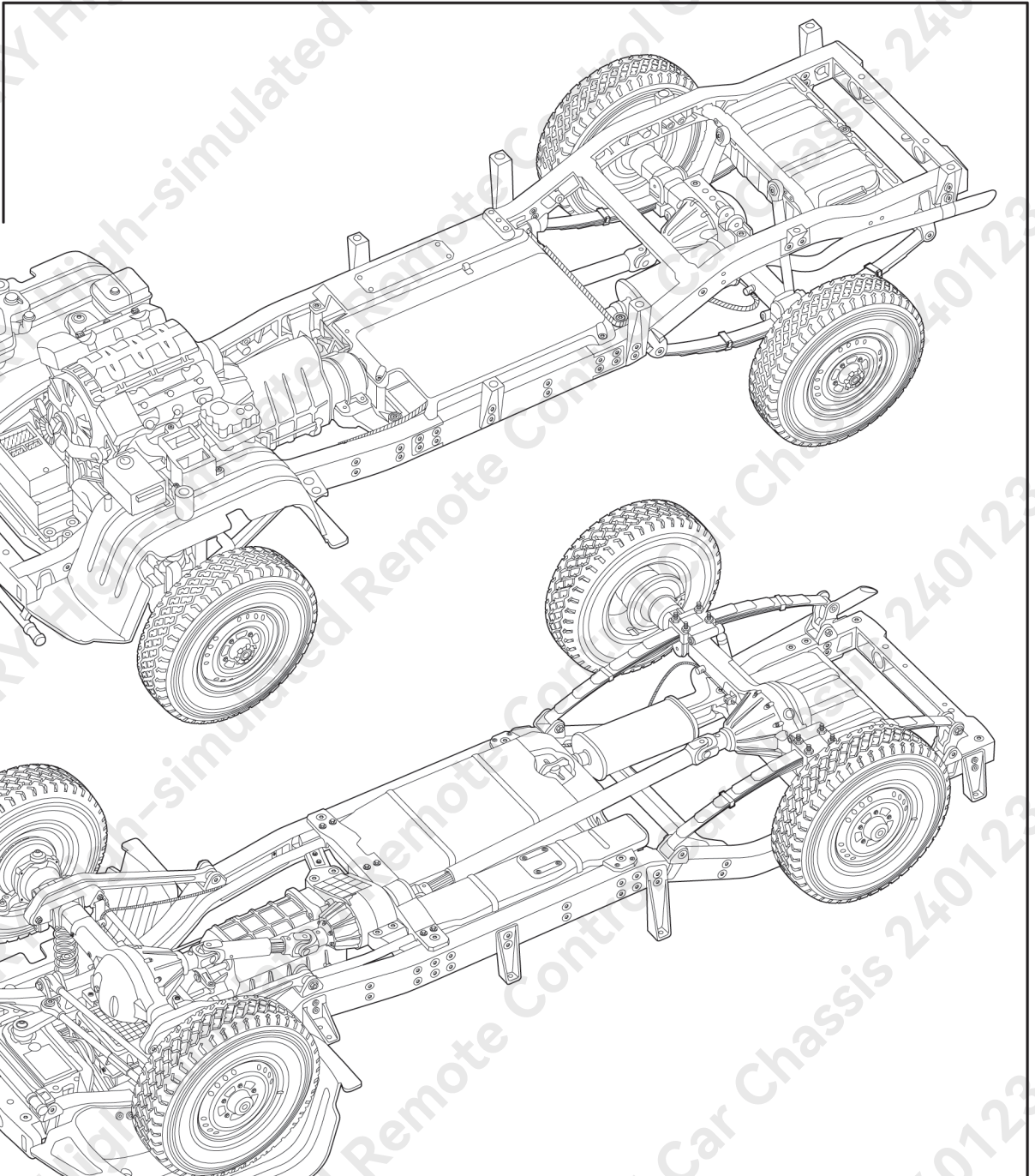
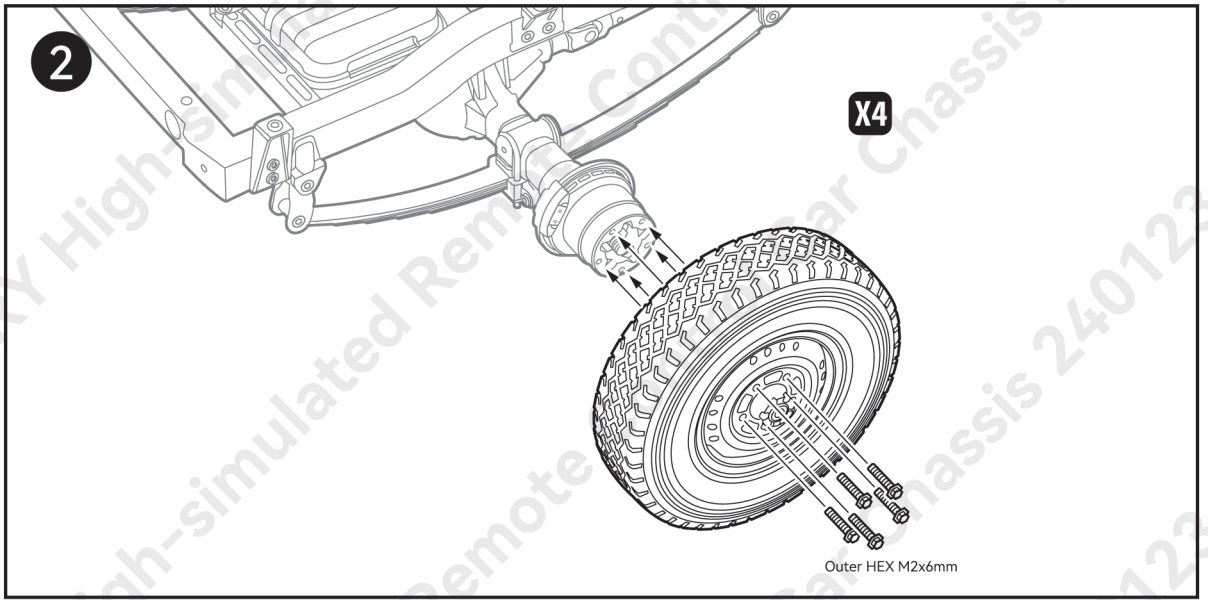


1

X4



M2x6mm X 20  
Outer HEX



## Separately Sold Items

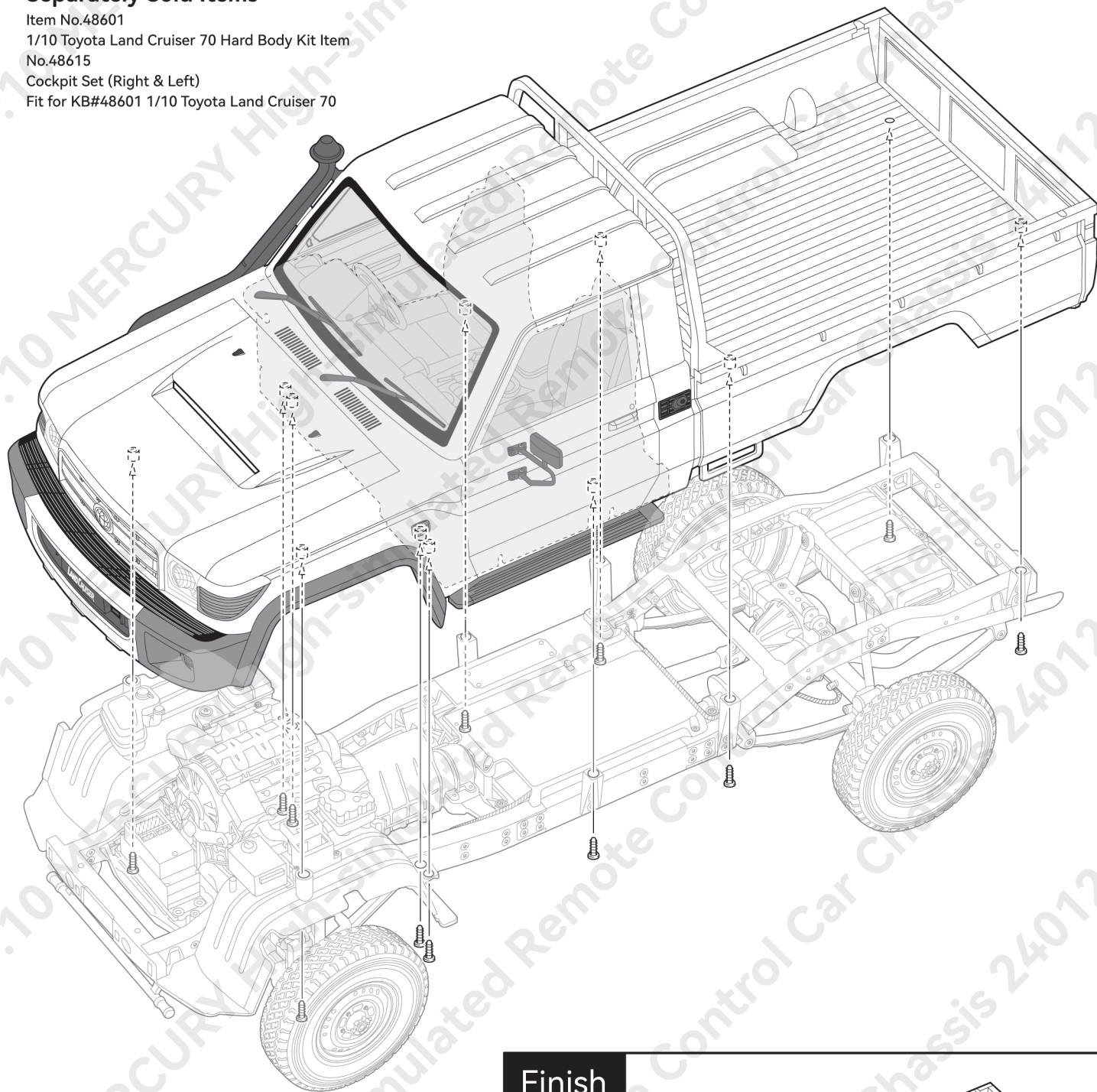
Item No.48601

1/10 Toyota Land Cruiser 70 Hard Body Kit Item

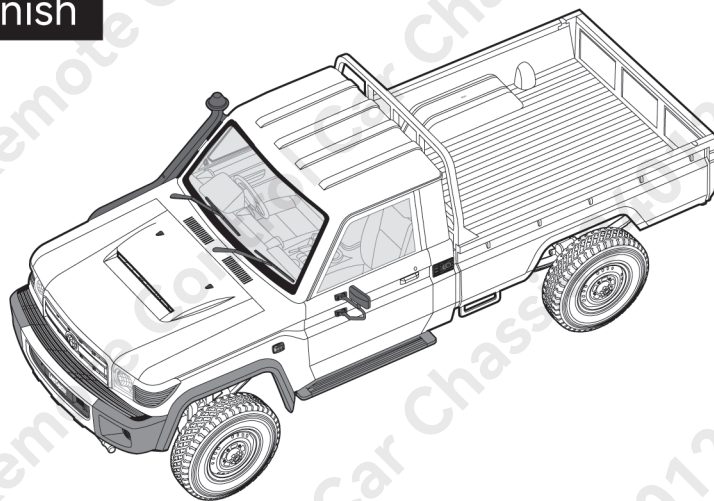
No.48615

Cockpit Set (Right & Left)

Fit for KB#48601 1/10 Toyota Land Cruiser 70



Finish



## OPTION PARTS

Item No.	Description
48691	1/10 Detail Scale Rubber Tyre 3.35 inch Fit for KB48693 Wheel 1.68 inch
48693	Aluminum Alloy Wheel 1.68 inch Fit for KB48691 Tyre 3.35 inch
48782	Leaf Spring W/damper Cylinder Converted Sets
48815	Liners Fender Flares and Carriage installation fixing point Fit for KB#48780 1/10 MERCURY Chassis
48816	Chassis Frame Kit
48817	Tank Shell
48818	Chassis Beam Kit
48819	Battery Compartment Shell Kit
48820	Engine and Transmission Housing Set
48821	Exhaust Pipe Kit
48822	Front Axle Set
48823	Rear Axle Set
48824	Front Axle Suspension System Accessory Package
48825	Steering Rod & Panhard Rod
48826	Universal Joint Transmission Shaft Kit
48827	Steering Server Support Package
48828	Screw and Tool Set

## Aluminium Alloy Upgrade Parts

Item No.	Description
48777	Front/ Rear Axle Upgrade Sets Aluminium alloy
48779	Frame Upgrade Sets Aluminium alloy Fit for KB#48780 MERCURY Chassis
48808	Control Arm Upgrade Sets Aluminium alloy
48809	Steering Knuckle Upgrade Sets Aluminium alloy
48810	Suspension Loop Upgrade Sets Aluminium alloy
48811	Frame Upgrade Sets Aluminium alloy Fit for KB#48760 MERCURY Chassis

## Modification Parts

Item No.	Description
48783	4-linkage Suspension W/damper Cylinder Converted Sets
48692	1/10 Detail Scale Rubber Tyre 3.75 inch Fits best 1.55" wheels Fit for 1/10 Crawler
48694	Aluminum Alloy Wheel 1.55 inch Fit for 1/10 Crawler
48813	1/10 Detail Scale Butyl Rubber Tyre 3.5 inch Fit for KB#48760 MERCURY Chassis
48814	Aluminum Alloy Wheel 1.55 inch Fit for KB#48760 MERCURY Chassis

## Body shell & Corresponding Upgrade Parts

Item No.	Description
48601	1/10 Toyota Land Cruiser 70 Hard Body Kit Fit for KB#48780 MERCURY Chassis
48610	Movable Door & Window Lifter Upgrade Sets Fit for KB#48601 1/10 Toyota Land Cruiser 70
48611	Movable Hood Upgrade Sets Fit for KB#48601 1/10 Toyota Land Cruiser 70
48613	Metal Lock Catch Fit for KB#48601 1/10 Toyota Land Cruiser 70
48615	Cockpit Set (Right & Left) Fit for KB#48601 1/10 Toyota Land Cruiser 70

Item No.	Description
48765	1/10 Jeep Gladiator Rubicon Hard body Fit for KB#48760 MERCURY Chassis
48776	Cockpit Set (Left & Right) Fit for KB#48765 1/10 Jeep Gladiator
48778	LED Unit Set w/Control Box 24 LEDs Fit for KB#48765 1/10 Jeep Gladiator
48812	Liners Fender Flares and Carriage installation fixing point Fit for KB#48760 MERCURY Chassis



Killerbody Industrial Limited  
Unit 5, 27/F., Richmond Comm. Bldg.,  
109 Argyle Street, Mongkok, Kowloon,  
Hong Kong  
[sales@killerbody.com](mailto:sales@killerbody.com)  
[killerbody.com](http://killerbody.com)  
[rc.killerbody.com](http://rc.killerbody.com)  
[hero.killerbody.com](http://hero.killerbody.com)

